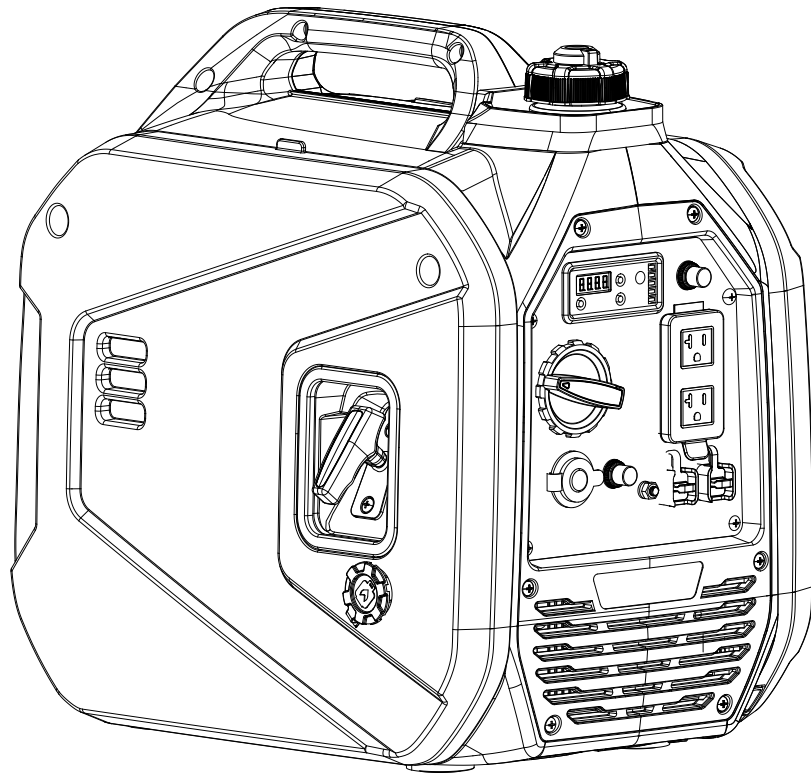




Champion Power Equipment, Inc.

**MODEL #201530**



## **PARTS INFORMATION**

**2500W DUAL FUEL INVERTER GENERATOR**

**SERIAL NUMBER RANGE: ALL**



To order replacement parts please visit:  
**[shop.championpowerequipment.com](http://shop.championpowerequipment.com)**  
or call **1-877-338-0999**.

## **TABLE OF CONTENTS**

<b>Inverter Generator Parts Diagram</b> .....	<b>3</b>
<b>Inverter Generator Parts List</b> .....	<b>4</b>
<b>Engine Parts Diagram</b> .....	<b>5</b>
<b>Engine Parts List</b> .....	<b>6</b>
<b>Cylinder Head Parts Diagram</b> .....	<b>8</b>
<b>Cylinder Head Parts List</b> .....	<b>9</b>
<b>Carburetor Parts Diagram</b> .....	<b>10</b>
<b>Carburetor Parts List</b> .....	<b>11</b>
<b>Base Parts Diagram</b> .....	<b>12</b>
<b>Base Parts List</b> .....	<b>13</b>
<b>Fuel Tank Parts Diagram</b> .....	<b>14</b>
<b>Fuel Tank Parts List</b> .....	<b>15</b>
<b>Control Panel Parts Diagram</b> .....	<b>16</b>
<b>Control Panel Parts List</b> .....	<b>17</b>
<b>Wiring Diagram</b> .....	<b>18</b>

# INVERTER GENERATOR PARTS DIAGRAM

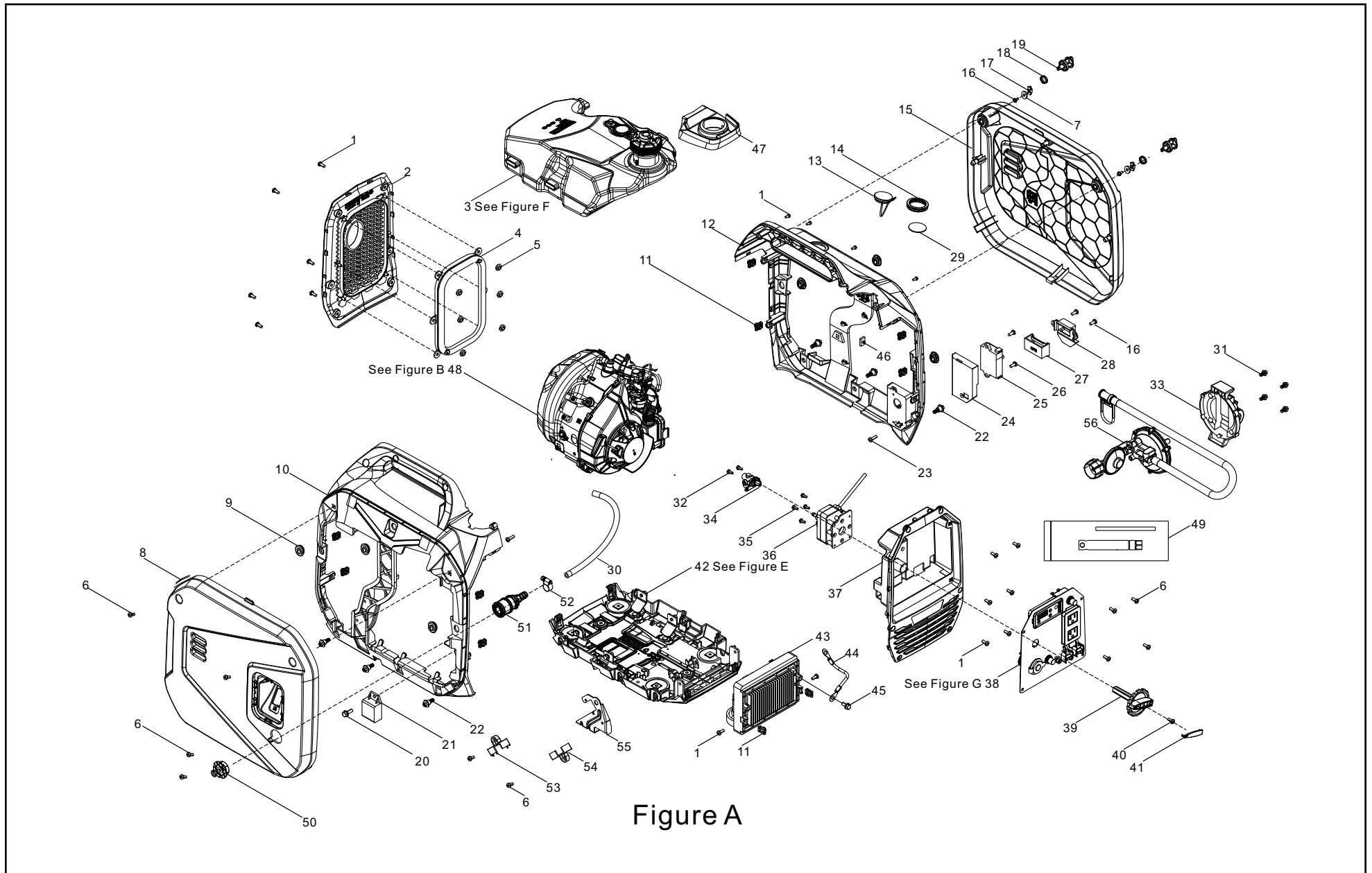


Figure A

## INVERTER GENERATOR PARTS LIST

#	Part Number	Description	Qty.
1	90255-000004	Screw & Washer Assy, M5 × 16, Blk Zn	18
2	18002-000010	Louver, Muffler	1
3	96104-Y16620-0030	Fuel tank Assy - See Figure F	1
4	18018-000002	Insulator Glue Cushion, Muffler	1
5	37073-000001	Clip, Spring	6
6	90255-000003	Screw & Washer Assy, M5 × 12, Blk Zn	10
7	90408-000002	Flat Washer, Blk Zn	2
8	80092-000041	Cover Board, Left	1
9	16601-000005	Vibration Mount, Fuel Tank, Ø13 × 17	6
10	80091-000009	Shell, Left	1
11	17199-000003	Clip Nut, M5 White Zn	10
12	80095-000010	Shell, Right	1
13	30431-000004	Rubber Sleeve, Ø30 × Ø41.7 × 87.5	1
14	30431-000005	Rubber Sleeve, Ø30 × Ø40 × 9.8	1
15	80096-000040	Cover Board, Right	1
16	90124-000002	Self Tapping Screw, PT4 x13	4
17	24329-000003	Block	2
18	16527-000003	Spring, Stopper Adjusting	2
19	35643-000018	1/4 Turn Dial Assembly	2
20	90001-000022	Hex Flange Bolt, M6 × 16, White Zn	1
21	30060-000023	Regulator	1
22	90208-000003	Hex Step Bolt, M6 × 20	6
23	90129-000001	Self Tapping Tcrew, ST3.2 × 10, White Zn	1
24	16673-000004	Shield, CO Alarm	1
25	35720-000001	CO Alarm	1
26	90107-000002	Self Tapping Screw, PT4.2 × 13, Blk Zn	2
27	90722-000022	Plug, CO Sensor	1
28	30079-000004	Plate, CO Sensor	1
29	37205-000001	Fuel Lever View, Fuel Gauge	1
30	30431-000030	Rubber Sleeve, Ø18 × Ø31 × 300	1

#	Part Number	Description	Qty.
31	90001-000019	Hex Flange Bolt, M6 × 12, Blk Zn	4
32	90255-000001	Screw & Washer Assy, M4 × 10, White Zn	2
33	51136-000001	Mounting Plate, Regulator	1
34	16750-000021	Fuel Switch Assy	1
35	90129-000002	Self Tapping Crew, ST4.2×16, White Zn	4
36	35160-000020	Switch Dial, Engine	1
37	35680-000025	Seat, Panel	1
38	96119-Y35610-0005	Control Panel Assy - See Figure G	1
39	35643-000015	Knob, Switch Dial, Engine	1
40	90103-000006	Cross Recess Pan Head Screw, M4 × 16, White Zn	1
41	82007-000005	Decorative Cover	1
42	96103-Y51100-0018	Mounting Plate Assy, Engine - See Figure E	1
43	30043-000034	Inverter, 1.9/2.19kW, 120V, 60Hz	1
44	30009-000015	Grounding Wire	1
45	90001-000016	Hex Flange Bolt, M6 × 10, White Zn	1
46	50033-000002	Cushion Rubber	1
47	16641-000005	Rubber Sleeve, Filling Fuel Hole	1
48	96100-80MNI400-02	Engine - See Figure B	1
49	93130-000002	Spark Plug Wrench	1
50	90722-000010	Plug, Gas	1
51	16021-000001	Inlet Connection	1
52	90748-000002	Clamp, 10-16	2
53	35192-000001	Support, Microswitch, Left	1
54	35192-000002	Support, Microswitch, Right	1
55	51124-000021	Mounting Bracket	1
56	77100-000014	Regulator, Auxiliary	1

# ENGINE PARTS DIAGRAM

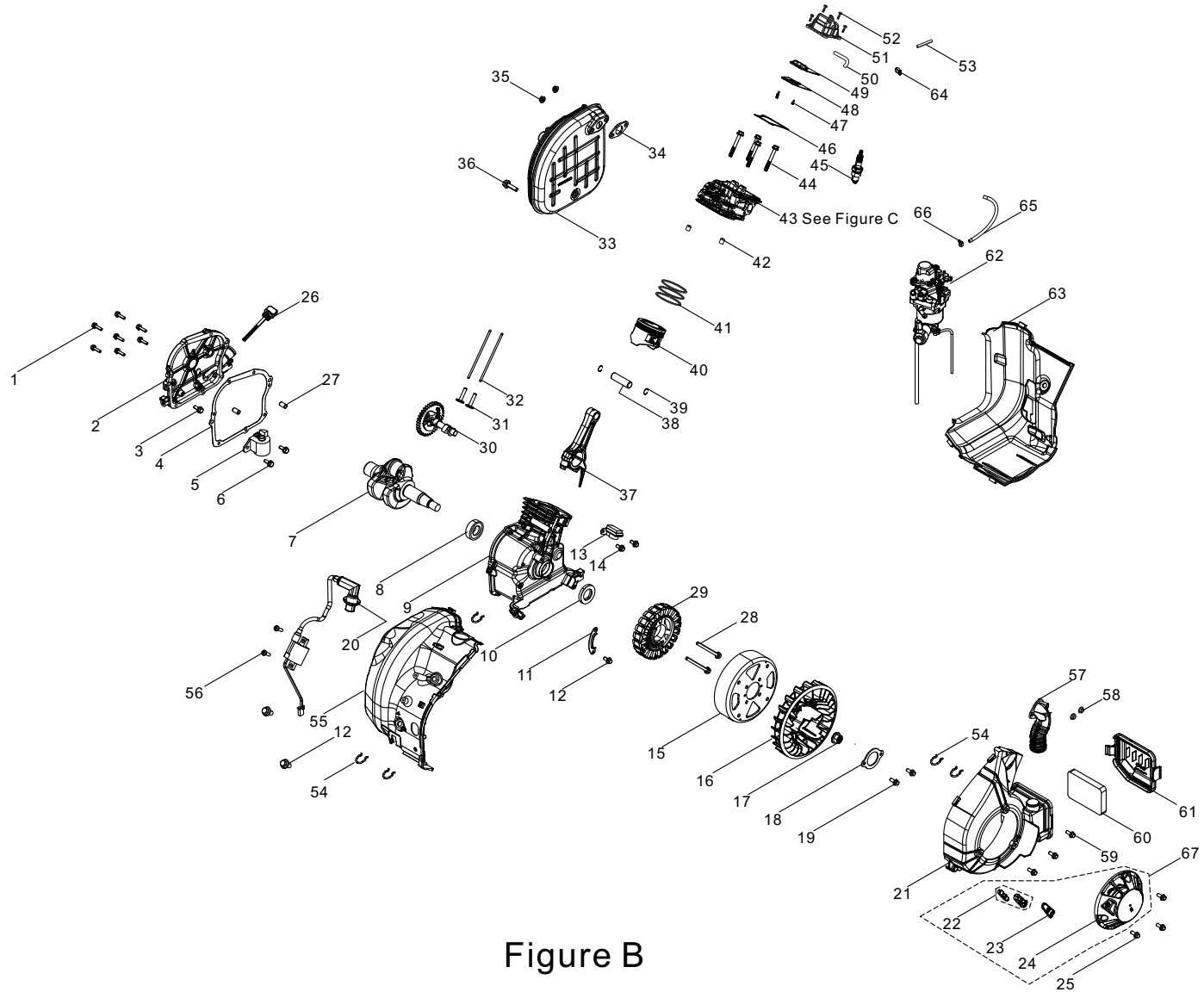


Figure B

**ENGINE PARTS LIST**

#	Part Number	Description	Qty.
1	90007-000025	Hex Flange Bolt, M6 × 22, White Zn	7
2	11411-000026	Crankcase Cover	1
3	90007-000029	Hex Flange Bolt, M6 × 10, White Zn	1
4	11001-000015	Crankcase Gasket	1
5	37060-000012	Engine oil Sensor	1
6	90007-000010	Hex Flange Bolt, M6 × 14, White Zn	2
7	13300-000041	Crankshaft Assy	1
8	90547-000004	Bearing, 6204	1
9	11310-000034	Crankcase Assy	1
10	90682-000019	Oil Seal, Ø20 × Ø32 × 6	1
11	30002-000002	Magneto Wiring Clamp	1
12	90001-000018	Hex Flange Bolt, M6 × 12, White Zn	3
13	30130-000010	Trigger	1
14	90007-000004	Hex Flange Bolt, M5 × 16, White Zn	2
15	30110-000015	Rotor Component	1
16	19352-000018	Cooling Fan, Engine	1
17	13501-000003	Flywheel Nut, M12 × 1.25, White Zn	1
18	19356-000001	Gasket, Cooling Fan	1
19	90001-000020	Hex Flange Bolt, M6 × 14, White Zn	2
20	30400-000040	Ignition Coil	1
21	28110-000041	Shroud	1
22	28210-000002	Handle, Starter Rope	1
23	28004-000005	Guide Plate Assy, Starter Rope	1
24	28200-000034	Recoil Starter Assy	1
25	90007-000011	Hex Flange Bolt, M6 × 16, White Zn	3
26	15010-000027	Oil Dipstick Assy	1
27	90502-000002	Pin, Ø8 × 12	2
28	90001-000030	Hex Flange Bolt, M6 × 30, White Zn	2
29	30120-000037	Stator Component, Ø120 × 21	1
30	14200-000027	Camshaft Assy	1

#	Part Number	Description	Qty.
31	14081-000006	Valve Tappet, Ø18×Ø6×26×SR2	2
32	14070-000005	Valve Lifter, SØ4×Ø3.5×114	2
33	18100-000047	Muffler Assy	1
34	18001-000009	Exhaust Outlet Gasket	1
35	90310-000001	Type 2 All Metal Hex Flange Lock Nut, M6, White Zn	2
36	90007-000030	Hex Flange Bolt, M6 × 60, White Zn	1
37	13010-000017	Connecting Rod, Ø25×Ø11×76	1
38	13121-000010	Piston Pin, Ø11 × Ø8 × 37	1
39	13122-000007	Piston Pin Clip	2
40	13111-000015	Piston, Ø48.6	1
41	13200-000017	Piston Ring Assy, Ø48.6	1
42	90502-000002	Pin, Ø8 × 12	2
43	96101-Z120410-0019	Cylinder Head Assy - See Figure C	1
44	12003-000008	Cylinder Head Bolt, M6 × 50, White Zn	4
45	30010-000005	Spark Plug, A5RTC	1
46	12004-000015	Cylinder Head Cover Gasket	1
47	90103-000001	Cross Recess Pan Head Screw, M3 × 8, White Zn	3
48	11332-000004	Gasket, Breath Groove Cover	1
49	11320-000005	Piece Assy, Breath	1
50	17004-000023	Tube, Breather, Ø7×Ø11	1
51	12410-000016	Cylinder Head Cover Assy	1
52	90007-000011	Hex Flange Bolt, M6 × 16, White Zn	4
53	30431-000031	Rubber Sleeve, Ø13 × Ø15 × 80	1
54	90740-000011	Clamp, Ø1.6	5
55	19308-000001	Body Left Shield	1
56	90107-000012	Self Tapping Screw, ST4.8 × 19, White Zn	2
57	17110-000004	Inlet Pipe Assy, Air Cleaner	1
58	90305-000007	Hex Flange Nut, M6, White Zn	2

#	Part Number	Description	Qty.
59	90001-000024	Hex Flange Bolt, M6 × 20, White Zn	3
60	17151-000015	Element, Air Cleaner	1
61	17104-000003	Cover, Air Cleaner Case	1
62	96105-Z16100-0036	Carburetor - See Figure D	1
63	19340-000011	Shield, Lower	1
64	90685-000008	Clamp, Ø10.5, White Zn	1
65	90729-000012	Hose, Ø9.5 × Ø16.8 × 380	1
66	90748-000002	Clamp, 10-16	1

# CYLINDER HEAD PARTS DIAGRAM

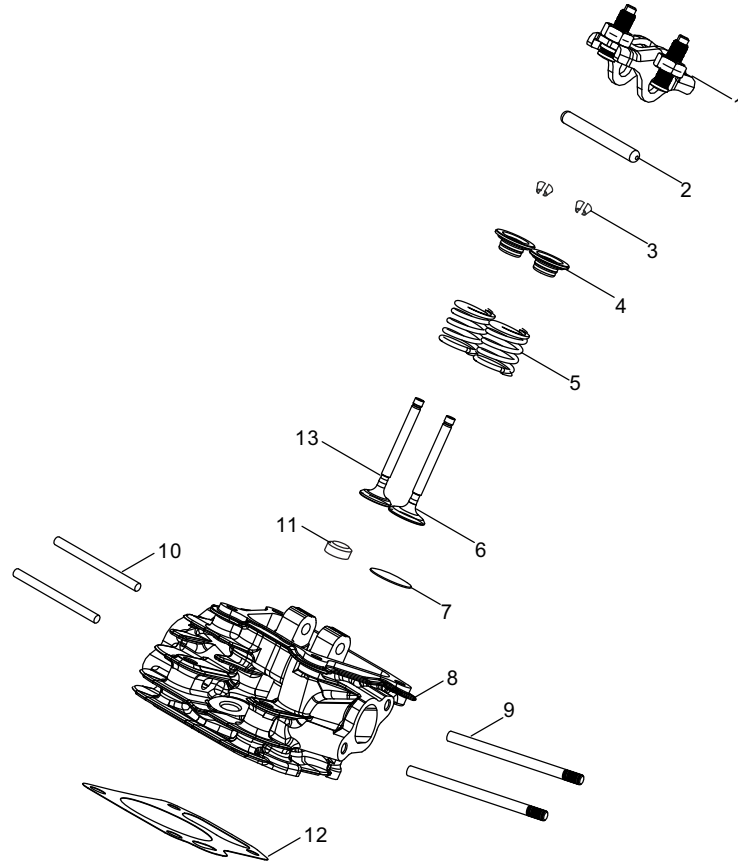


Figure C



**CYLINDER HEAD PARTS LIST**

#	Part Number	Description	Qty.
1	14310-000011	Valve Rocker Assy	2
2	14330-000001	Rocker Shaft Assy, Ø6×59	1
3	12109-000004	Valve Lock Clamp, Ø4.985×Ø8.475	4
4	12112-000008	Valve Spring Retainer	2
5	12103-000003	Valve Spring, Ø16.4×Ø20.8×25.6	2
6	12111-000015	Inlet Valve	1
7	12106-000001	Retainer, Valve Outer Spring, Ø14.5×Ø19.5	1
8	12140-000033	Cylinder Head Assy	1
9	90204-000021	Stud, M6 x 92, White Zn	2
10	90203-000004	Stud, M6 x 75, White Zn	2
11	12101-000003	Seal Guide	1
12	12131-000018	Cylinder Head Gasket	1
13	12121-000017	Exhaust Valve	1

# CARBURETOR PARTS DIAGRAM

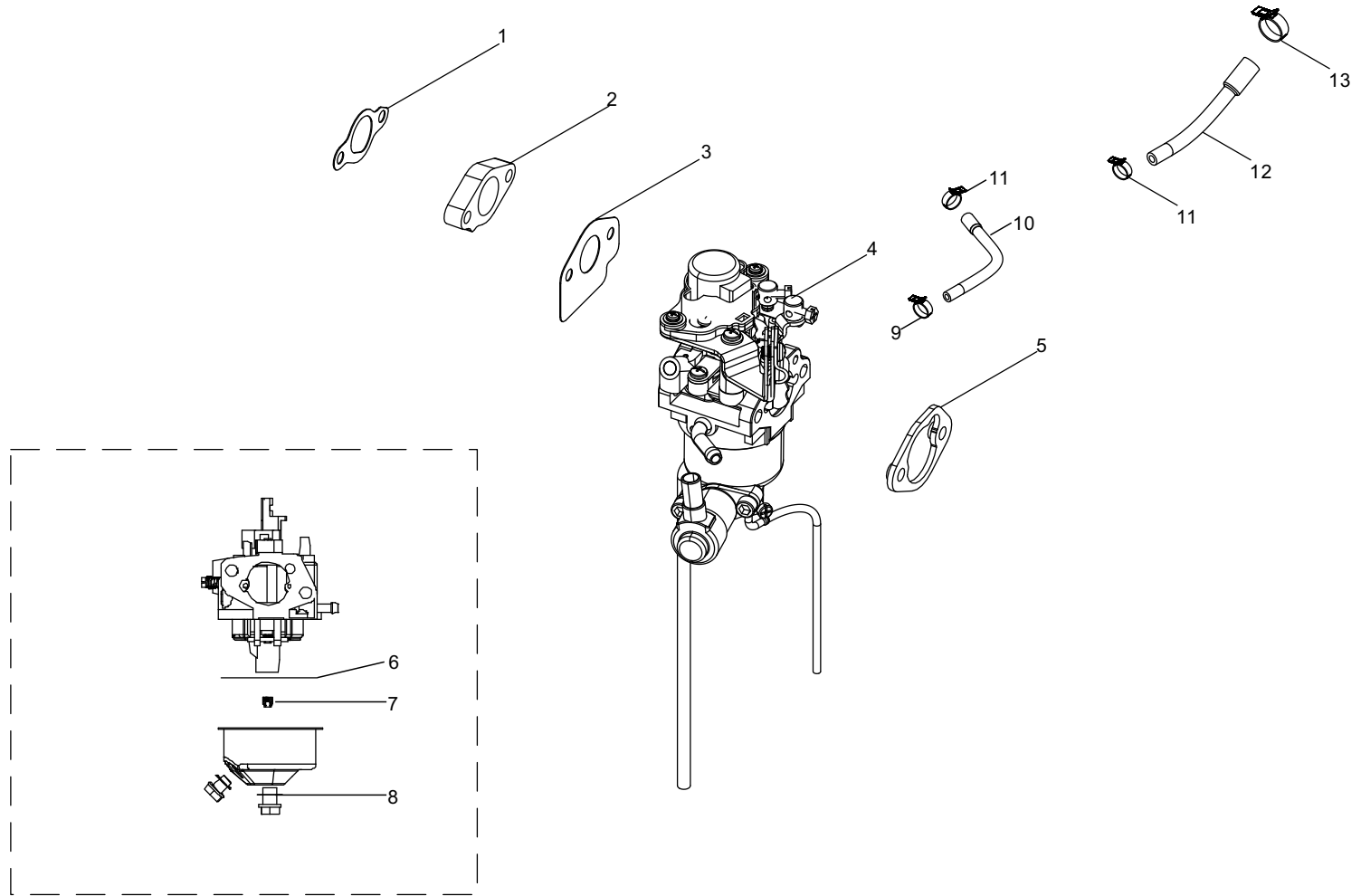


Figure D

**CARBURETOR PARTS LIST**

#	Part Number	Description	Qty.
1	17002-000008	Gasket, Inlet	1
2	16003-000020	Carburetor Insulator Plate	1
3	16001-000008	Carburetor Gasket	1
4	16100-000074	Carburetor Assy	1
5	17001-000014	Air Cleaner Gasket	1
6	16112-000001	Seal Ring, Float	1
7	16161-000013	Main Jet (62#), Standard	1
	16161-000011	Main Jet (60#), Altitude 3000-6000 Feet	/
	16161-000046	Main Jet (58#), Altitude 6000-8000 Feet	/
8	90681-000003	Seal Ring	1
9	90685-000007	Clamp, $\varnothing 9.5 \times 0.8 \times 8$ , Dacromet	1
10	90686-000053	Fuel Tube, $\varnothing 4.5 \times \varnothing 8.5 \times 220$	1
11	90685-000013	Clamp, $\varnothing 8.5 \times 0.6 \times 8$ , Dacromet	2
12	90686-000054	Fuel Tube, $\varnothing 4.5 \times \varnothing 8.5 \times 90$	1
13	90685-000010	Clamp, $\varnothing 10.5 \times 8 \times 0.8$ , Dacromet	1

# BASE PARTS DIAGRAM

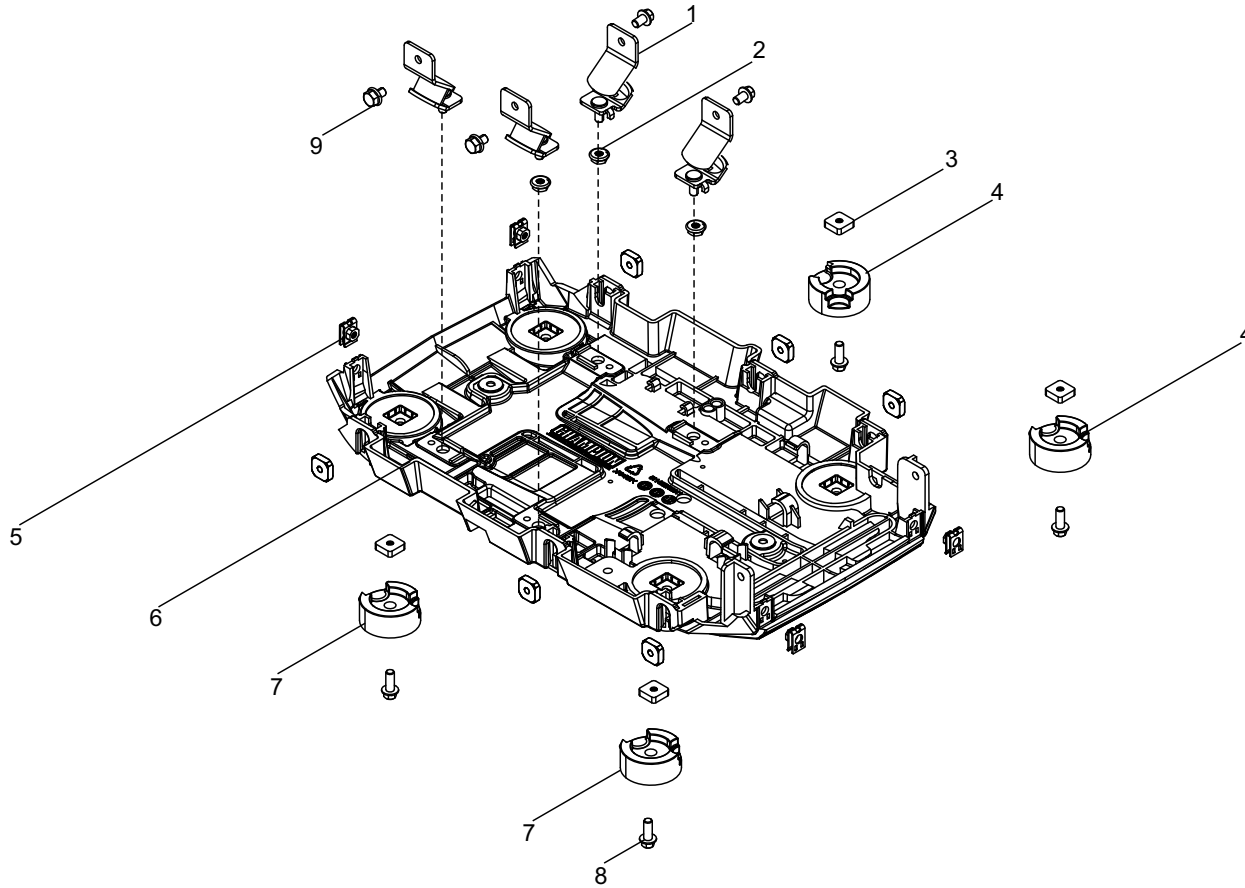


Figure E

**BASE PARTS LIST**

#	Part Number	Description	Qty.
1	51005-000012	Vibration Mount , Frame	4
2	90305-000007	Hex Flange Nut, M6, White Zn	4
3	90326-000001	Slmnh, M6, White Zn	10
4	51014-000010	Foot Right, Rubber	2
5	17199-000003	Clip Nut, M5 White Zn	4
6	51143-000009	Plate, Bottom	1
7	51014-000009	Foot Left, Rubber	2
8	90001-000022	Hex Flange Bolt, M6 x 16, White Zn	4
9	90001-000020	Hex Flange Bolt, M6 x 14, White Zn	4

## FUEL TANK PARTS DIAGRAM

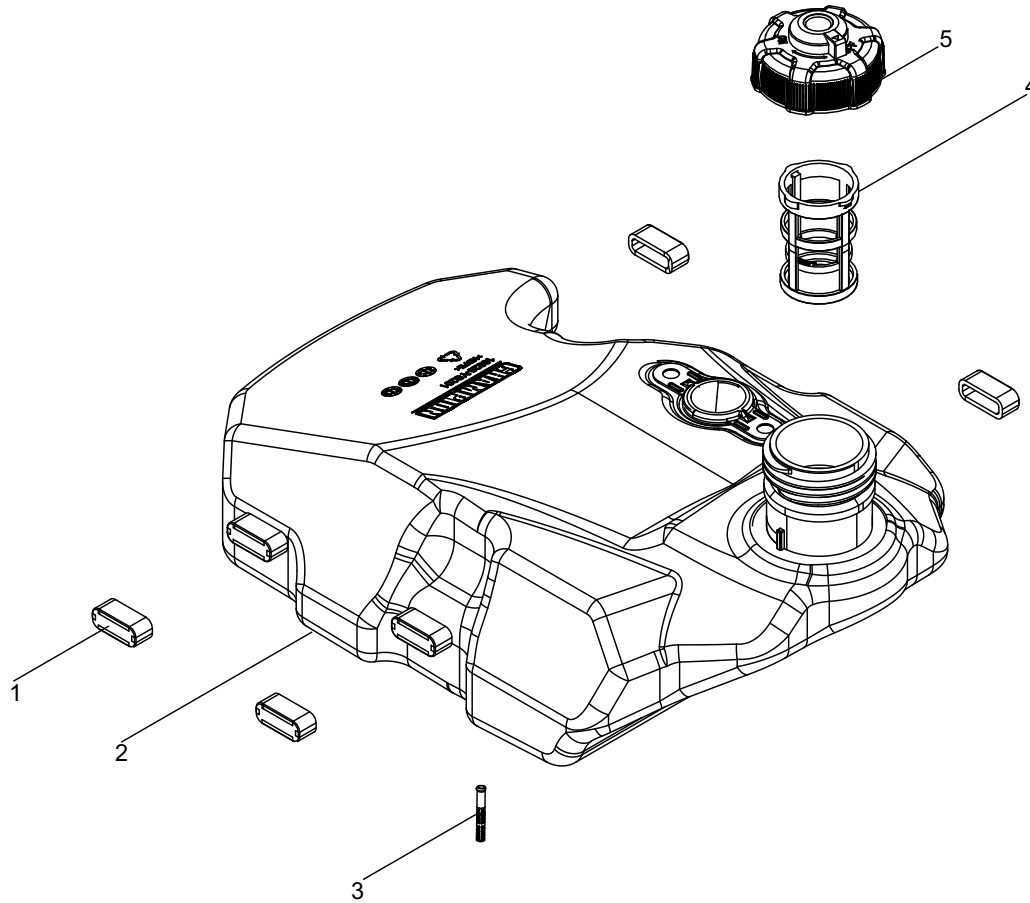


Figure F

**FUEL TANK PARTS LIST**

#	Part Number	Description	Qty.
1	90683-000004	Bushing	4
2	16620-000054	Fuel Tank, 4L, RT400B	1
3	16514-000001	Filter Element, Fuel Tank, Ø4.7×51.7	1
4	16652-000018	Fuel Filter	1
5	16730-000012	Fuel Tank Cap	1

# CONTROL PANEL PARTS DIAGRAM

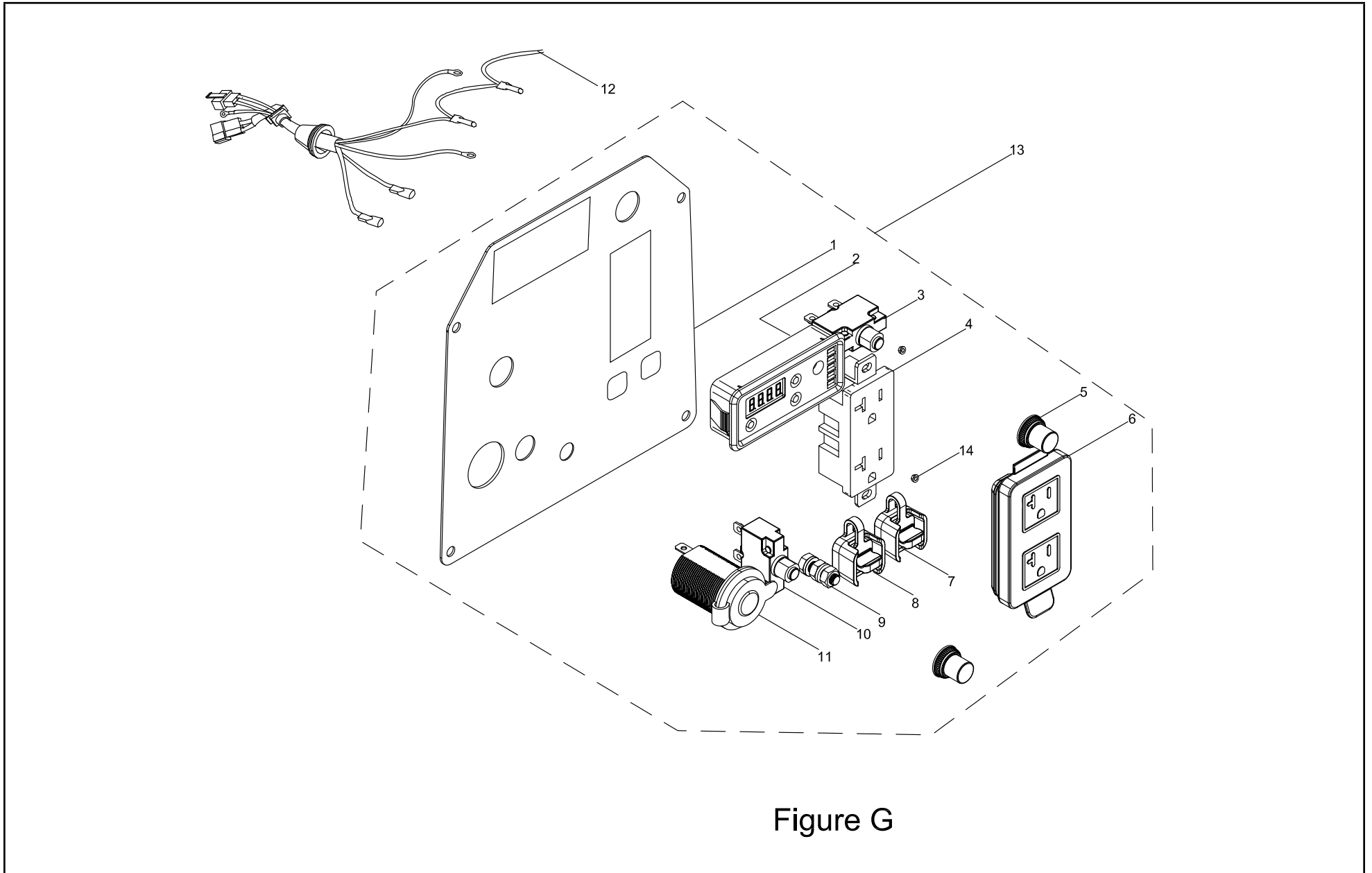


Figure G



**CONTROL PANEL PARTS LIST**

#	Part Number	Description	Qty.
1	35650-000048	Control Panel	1
2	35632-000020	Intelliguage, INT5CINV	1
3	31234-000004	20Amp Circuit Breaker, Push Button, 125/250V	1
4	35614-000017	5-20R Receptacle, 20A/125V	1
5	35654-000005	Circuit Breaker Cover	2
6	35654-000013	5-20R Receptacle Cover	1
7	35614-000020	Wireless Parallel Receptacle, 50A/1000V, Black	1
8	35614-000019	Wireless Parallel Receptacle, 50A/1000V, Red	1
9	35629-000001	Grounding Terminal , Blk Zn	1
10	31234-000002	8Amp Circuit Breaker, Push Button, 125/250V	1
11	35619-000003	Automotive Receptacle, 12V DC	1
12	35660-000057	Wire Harness, Control Panel	1
13	35610-000162	Contral Pannel Assy	1
14	90305-000016	Hex Flange Nut, M4, White Zn	2

# WIRING DIAGRAM

