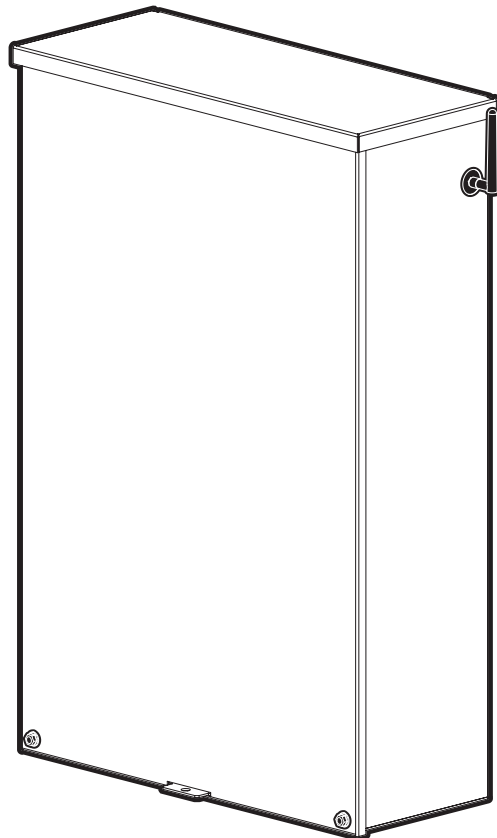




Champion Power Equipment, Inc.

MODEL #201020



PARTS INFORMATION

100 AMP AUTOMATIC TRANSFER SWITCH WITH flex CONTROLLER™

SERIAL NUMBER RANGE: ALL



To order replacement parts please visit:
shop.championpowerequipment.com
or call **1-877-338-0999**.

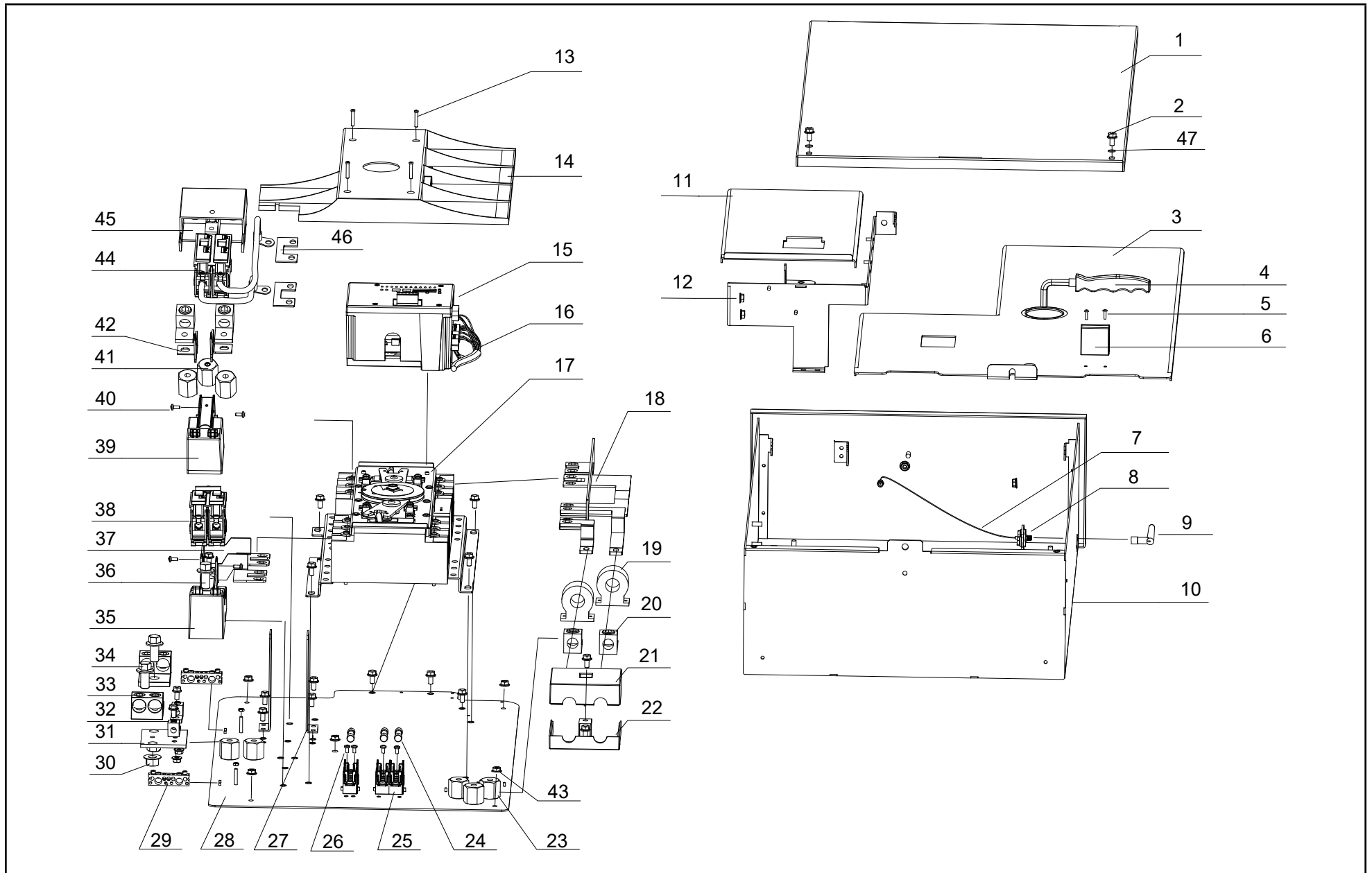
TABLE OF CONTENTS

Transfer Switch Parts Diagram..... 3

Transfer Switch Parts List 4

Wiring Diagram 5

TRANSFER SWITCH PARTS DIAGRAM



TRANSFER SWITCH PARTS LIST

#	Part Number	Description	Qty.
1	LD0101001002001	Housing Cover	1
2	LD0401001001001	Screw, M6 x 12 mm	18
3	LD0101001003001	Middle Sealing Plate	1
4	LD0101001008001	Handle	1
5	LD0401002002001	Screw, M3 x 8 mm	2
6	LD0901001006001	Handle Seat	1
7	LD0202002002001	Antenna Extension Cable	1
8	LD0901001004001	Antenna Pedestal	1
9	LD0201005001001	Rod Antenna	1
10	LD0101001001001	100A ATS Housing	1
11	LD0101001004001	Cover Plate, Utility Supply	1
12	LD0101001005002	Partition	1
13	LD0401002001002	Screw, M4 x 20 mm	4
14	LD0901001005001	Copper Bar Protective Cover	1
15	LD0301001001005	Controller	1
16	LD0202001001001	Controller Wire Harness	1
17	LD0701001001001	Conversion Mechanism	1
18	LD0203001001010	Output Copper Bar	1
19	LD0201007001001	Current Transformer	2
20	LD0204003001003	Terminal	4
21	LD0901001001004	Upper Cover, Outputbox	1
22	LD0901001001003	Lower Cover, Outputbox	1
23	LD0204001001002	Insulated Column, 25 mm	5
24	LD0201004001001	Fuse 10Amp	3
25	LD0201003001001	Safety Seat	3
26	LD0401003001001	Screw, M4 x 8 mm	4
27	LD0101001007001	Lock Frame	2
28	LD0101001006001	Base,100A	1
29	LD0201002001001	Ground Bar	2
30	LD0402001002001	Flange Nut, M12	2

#	Part Number	Description	Qty.
31	LD0203001001004	Neutral Copper Bar	1
32	LD0204003001002	Ground Terminal	2
33	LD0204003001001	Neutral Terminal	2
34	LD0401001002001	Screw, M12 x 20 mm	2
35	LD0901001002001	Big Circuit Breaker Seat	1
36	LD0401001001003	Screw, M6 x 14 mm	2
37	LD0203001001005	Copper Busbar For Power Generation	1
38	LD0201001003001	100Amp Circuit Breaker	1
39	LD0901001002002	Small Circuit Breaker Seat	1
40	LD0401004002001	Self Tapping Screws, M4 x 12 mm	6
41	LD0204001001003	Insulated Column, 30 mm	2
42	LD0203001001001	Copper Busbar For Power Utility Supply	2
43	LD0402001001001	Flange Nut, M6	9
44	LD0201001001001	100Amp Circuit Breaker	1
45	LD0901001001006	Terminal Protection Cover	1
46	LD0203001001003	Bridge Copper Bars	2
47	LD0403003001001	Paper Gasket, 6 x 12 x 1 mm	4

WIRING DIAGRAM

