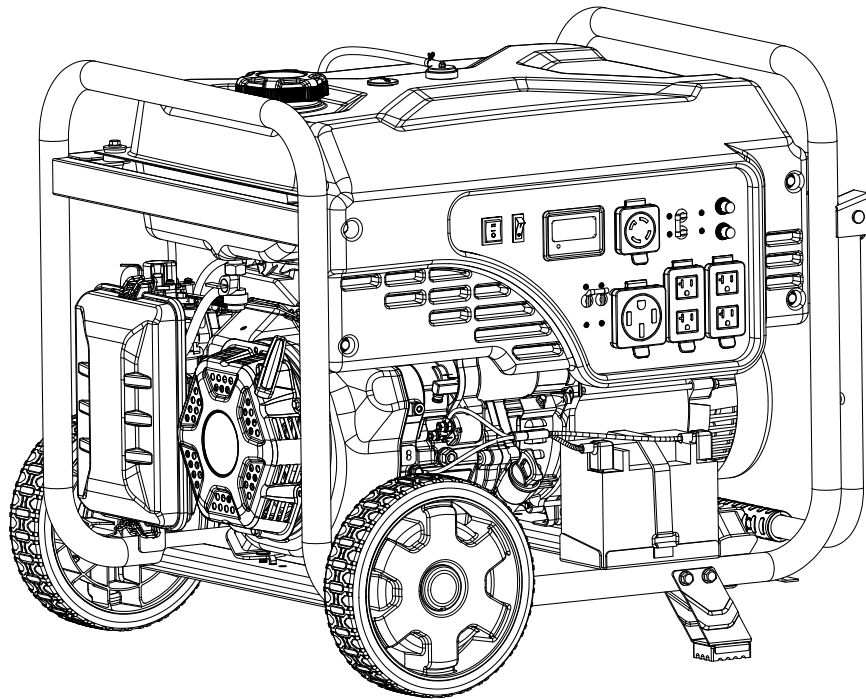


Champion Power Equipment, Inc.

**MODEL #201506**



## **PARTS INFORMATION**

**8000W WIRELESS REMOTE START GENERATOR**

**SERIAL NUMBER RANGE: ALL**



To order replacement parts please visit:  
**[shop.championpowerequipment.com](http://shop.championpowerequipment.com)**  
or call **1-877-338-0999**.

## **TABLE OF CONTENTS**

<b>Generator Parts Diagram</b> .....	<b>3</b>
<b>Generator Parts List</b> .....	<b>4</b>
<b>Engine Parts Diagram</b> .....	<b>5</b>
<b>Engine Parts List</b> .....	<b>6</b>
<b>Cylinder Head Parts Diagram</b> .....	<b>8</b>
<b>Cylinder Head Parts List</b> .....	<b>9</b>
<b>Carburetor Parts Diagram</b> .....	<b>10</b>
<b>Carburetor Parts List</b> .....	<b>11</b>
<b>Alternator Parts Diagram</b> .....	<b>12</b>
<b>Alternator Parts List</b> .....	<b>13</b>
<b>Fuel Tank Parts Diagram</b> .....	<b>14</b>
<b>Fuel Tank Parts List</b> .....	<b>15</b>
<b>Control Panel Parts Diagram</b> .....	<b>16</b>
<b>Control Panel Parts List</b> .....	<b>17</b>
<b>Frame Assembly Parts Diagram</b> .....	<b>18</b>
<b>Frame Assembly Parts List</b> .....	<b>19</b>
<b>Wiring Diagram</b> .....	<b>20</b>

# GENERATOR PARTS DIAGRAM

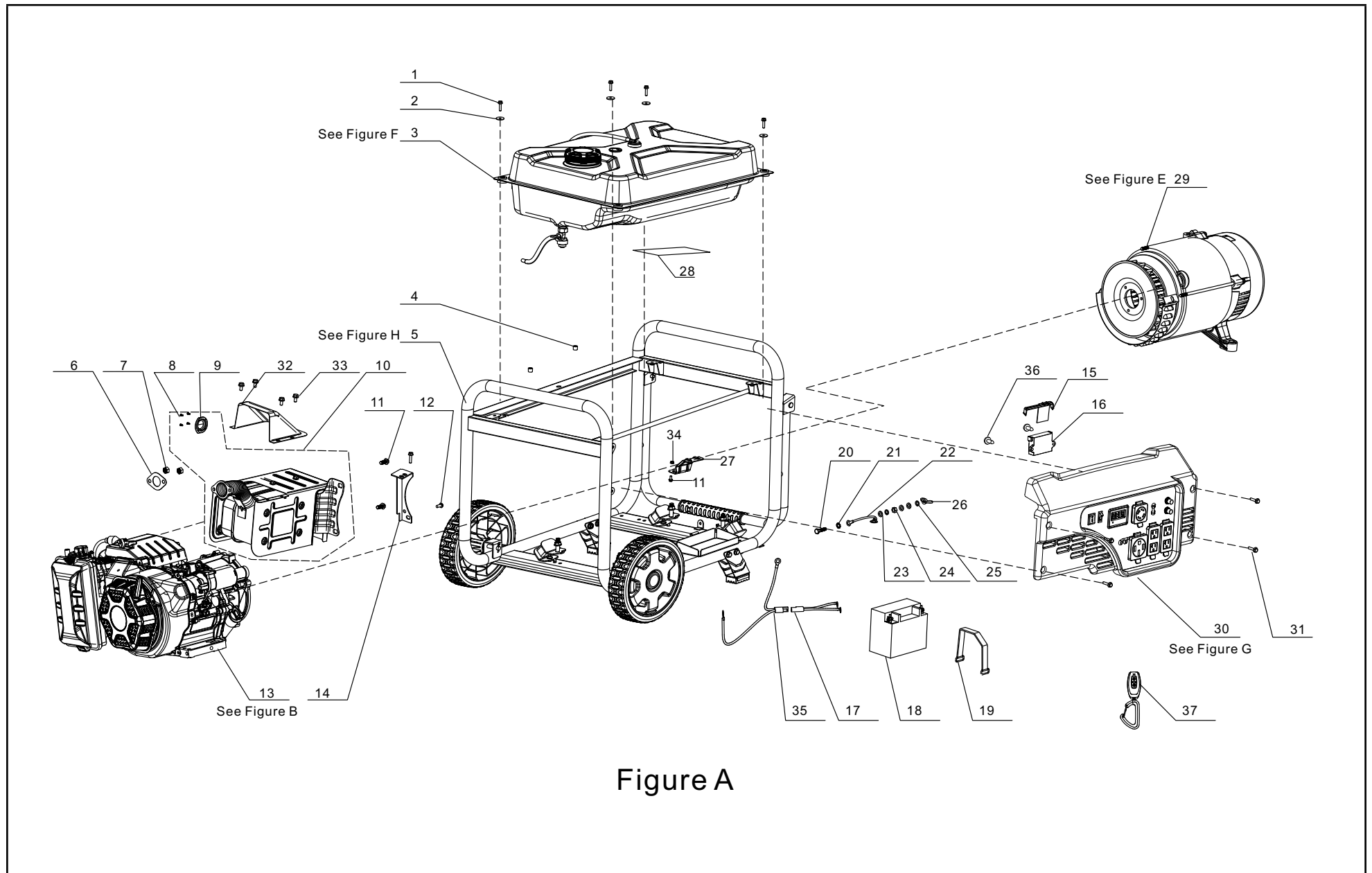


Figure A

**GENERATOR PARTS LIST**

#	Part Number	Description	Qty.
1	90007-000024	M6 x 25 Hex Flange Bolt, Blk Zn	4
2	90408-000008	Flat Washer, Ø6, Blk Zn	4
3	96104-Y16620-0029	Fuel Tank Assy - See Figure F	1
4	90698-000002	Protective Rubber Sleeve	2
5	96103-Y51100-0038	Frame Assy - See Figure H	1
6	18101-000005	Muffler Outlet Gasket	1
7	90303-000004	M8 Nut, Blk Zn	2
8	90139-000001	M5 x 10 Hex Flange Bolt, White Zn	4
9	18250-000005	Spark Arrestor	1
10	18100-000015	Muffler Assy	1
11	90001-000041	M8 x 16 Hex Flange Bolt, Blk Zn	3
12	90001-000040	M8 x 16 Hex Flange Bolt, White Zn	2
13	96100-460DV000-02	Engine Assy - See Figure B	1
14	18030-000007	Muffler Support, White Zn	1
15	30351-000003	CO Cover	1
16	35720-000001	CO Alarm	1
17	31112-000015	Wire Harness, Battery	1
18	31110-000004	Battery, 12V/14Ah	1
19	31115-000002	Battery Band, 220 x 20 x 3.5	1
20	90001-000027	M6 x 25 Hex Flange Bolt, Blk Zn	1
21	90415-000001	Toothed Lock Washer, Blk Zn	1
22	30009-000024	Grounding Wire	1
23	90408-000006	Flat Washer, Ø6, Blk Zn	3
24	90303-000003	M6 Hex Flange Nut, Blk Zn	1
25	90403-000003	Spring Washer, Ø6, Blk Zn	2
26	90312-000001	M6 Wing Nut, Blk Zn	1
27	24329-000006	Heat Shield	1
28	82153-000004	Heat Reflective Film, Fuel Tank	1
29	96114-Y31300-0025	Alternator Assy - See Figure E	1
30	35610-000185	Panel Assy - See Figure G	1

#	Part Number	Description	Qty.
31	90001-000023	M6 x 16 Hex Flange Bolt, Blk Zn	4
32	80019-000002	Guide Hood, Muffler	1
33	90007-000008	M6 x 12 Hex Flange Bolt, Blk Zn	4
34	90305-000011	M8 Hex Flange Nut, Blk Zn	1
35	31114-000007	Wire Harness, Engine	1
36	90107-000006	Screw, ST4.2 x 16, White Zn	2
37	39024-000006	Remote Key	1

# ENGINE PARTS DIAGRAM

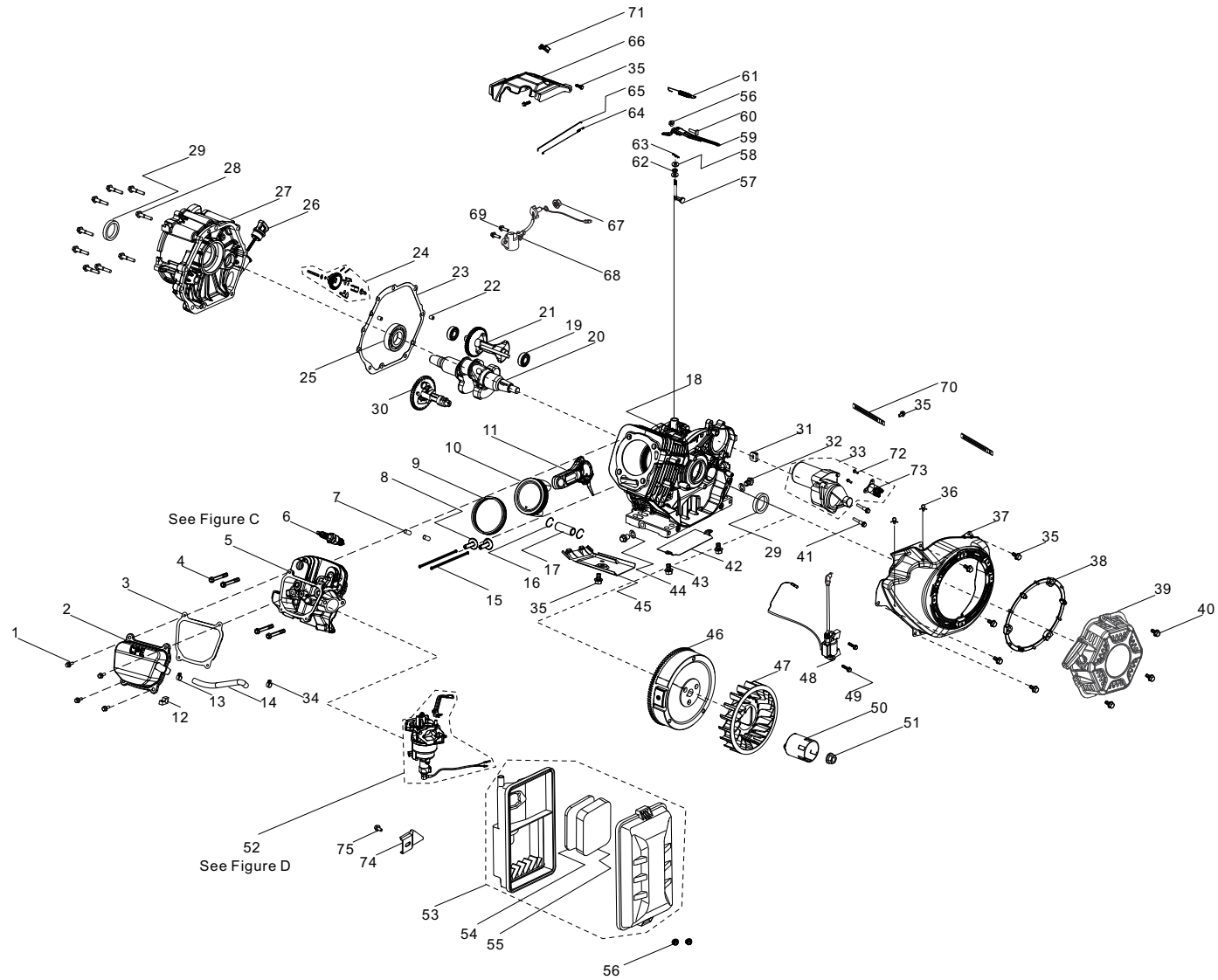


Figure B

**ENGINE PARTS LIST**

#	Part Number	Description	Qty.
1	90001-000018	M6 x 12 Hex Flange Bolt, White Zn	4
2	12410-000019	Cylinder Head Cover, White Zn	1
3	12004-000021	Cylinder Head Cover Gasket	1
4	12003-000006	M10 x 85 Cylinder Head Bolt, White Zn	4
5	96101-Z120410-0020	Cylinder Head Assy - See Figure C	1
6	30010-000001	Spark Plug, F6RTC	1
7	90502-000008	Pin, Ø12 x 20	2
8	14081-000003	Valve Tappet, Ø26xØ9x40.5xSR3	2
9	13200-000005	Piston Ring Assy, Ø90	1
10	13111-000013	Piston, Ø90	1
11	13010-000009	Connecting Rod, Ø38.5xØ20x113	1
12	90804-000001	Stop Block	1
13	90685-000016	Clamp, Ø17 x 1.4, White Zn	1
14	17004-000008	Breather Tube, Ø12 x Ø16 x 108	1
15	14070-000001	Valve Lifter	2
16	13122-000002	Piston Pin Clip, Ø20.5xØ1	2
17	13121-000004	Piston Pin, Ø20 x Ø14.75 x 62	1
18	11310-000020	Crankcase Assy	1
19	90547-000019	Bearing, 6202	2
20	13300-000037	Crankshaft Assy	1
21	13401-000001	Balancing Shaft	1
22	90502-000002	Pin, Ø8 x 12	2
23	11001-000002	Crankcase Gasket	1
24	16400-000004	Governor Gear Assy	1
25	90547-000014	Bearing, 6208	1
26	15010-000009	Oil Dipstick, PMS 109C	1
27	11411-000002	Crankcase Cover	1
28	90001-000051	M8 x 40 Hex Flange Bolt, Blk Zn	9
29	90682-000005	Oil Seal, Ø52 x Ø40 x 9	2
30	14200-000001	Camshaft Assy	1

#	Part Number	Description	Qty.
31	28101-000001	Rubber Plug	1
32	11007-000004	Drain Plug Bolt, M12 x 18, Blk Zn	2
33	09100-000002	Starter Motor	1
34	90685-000014	Clamp, Ø16 x 1.6, White Zn	1
35	90001-000019	M6 x 12 Hex Flange Bolt, Blk Zn	9
36	90684-000005	Clip, Ø8	2
37	28110-000023	Engine Fan Cover, PMS 109C	1
38	28261-000004	Retainer Ring, Recoil Starter	1
39	28200-000023	Recoil Starter Assy	1
40	90001-000025	M6 x 20 Hex Flange Bolt, Blk Zn	3
41	90001-000049	M8 x 35 Hex Flange Bolt, White Zn	2
42	19306-000001	Air Deflector, Crankcase, White Zn	1
43	90001-000017	M6 x 10 Hex Flange Bolt, Blk Zn	2
44	90412-000003	Washer, Ø21 x Ø12 x 2	2
45	19304-000004	Cylinder Body Shroud	1
46	13510-000026	Flywheel Assy	1
47	19352-000007	Cooling Fan, Engine	1
48	30400-000004	Ignition Coil	1
49	90001-000028	M6 x 28 Hex Flange Bolt, White Zn	2
50	28002-000015	Starter Pulley, White Zn	1
51	13501-000002	Flywheel Nut, M16 x 1.5, White Zn	1
52	96105-Z16100-0016	Carburetor Assy - See Figure D	1
53	17100-000033	Air Cleaner Assy	1
54	17151-000001	Element 1, Air Cleaner	1
55	17151-000002	Element 2, Air Cleaner	1
56	90305-000008	M6 Hex Flange Nut, Blk Zn	3
57	16061-000003	Governor Arm	1
58	90412-000004	Washer, Ø19.5 x Ø8.4 x 0.8	2
59	16070-000004	Governor Support Assy, White Zn	1
60	16072-000003	M6 x 24 Governor Support Bolt, White Zn	1

#	Part Number	Description	Qty.
61	16063-000023	Governor Spring	1
62	90682-000007	Oil Seal, Ø14 x Ø8 x 4	1
63	90501-000005	Pin, White Zn	1
64	16012-000003	Throttle Valve Returning Spring	1
65	16062-000006	Governor Rod, White Zn	1
66	16520-000007	Air Guide, Engine Fan, White Zn	1
67	90305-000015	M10 Hex Flange Nut, White Zn	1
68	37060-000006	Engine oil Sensor	1
69	90001-000022	M6 x 16 Hex Flange Bolt, White Zn	2
70	90684-000001	Clip, Ø6 x 10.6 x 130	2
71	16011-000001	Clip, Choke Rod	1
72	90001-000007	M5 x 16 Hex Flange Bolt, White Zn	2
73	30500-000007	Starting Relay	1
74	17003-000009	Air Cleaner Support, White Zn	1
75	90001-000019	M6 x 12 Hex Flange Bolt, Blk Zn	1

# CYLINDER HEAD PARTS DIAGRAM

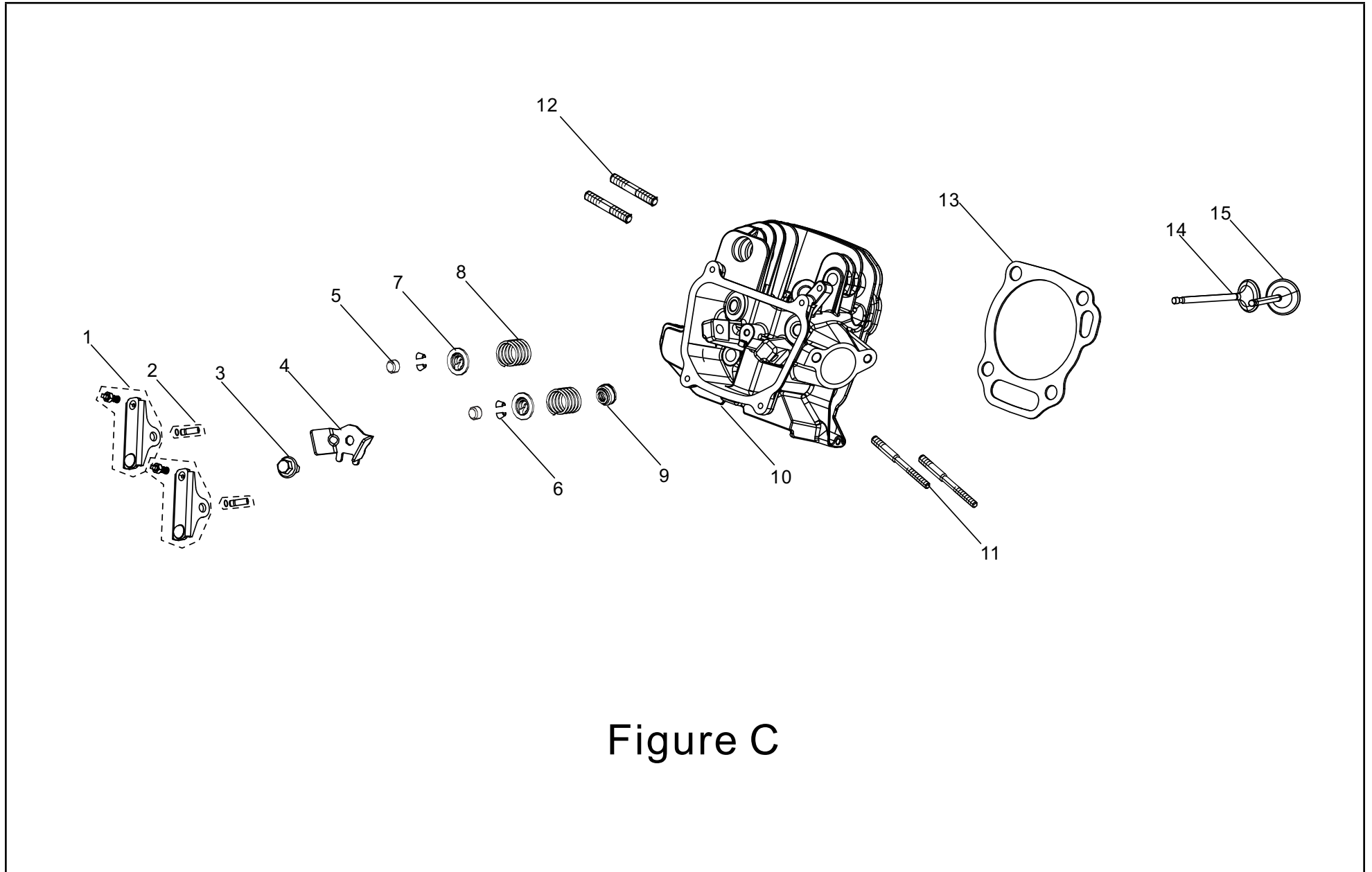


Figure C



**CYLINDER HEAD PARTS LIST**

#	Part Number	Description	Qty.
1	14310-000001	Valve Rocker Arm	2
2	14318-000005	Rocker Arm Shaft Assy	2
3	90001-000019	M6 x 12 Hex Flange Bolt, Blk Zn	1
4	12419-000002	Pin Limit Plate, Cylinder Head	1
5	12104-000001	Lash Cap, Valve, Ø5.6xØ8.5x5.2	2
6	12109-000002	Valve Lock Clamp, Ø5.5 x Ø9	4
7	12112-000003	Valve Spring Retainer	2
8	12103-000009	Valve Spring	2
9	12101-000001	Valve Seal Guide	1
10	12140-000015	Cylinder Head	1
11	90204-000011	M6/M8 x 110 Stud Bolt, Blk Zn	2
12	90203-000002	M8 x 34 Stud Bolt, Blk Zn	2
13	12131-000012	Cylinder Head Gasket	1
14	12121-000010	Exhaust Valve	1
15	12111-000001	Intake Valve	1

# CARBURETOR PARTS DIAGRAM

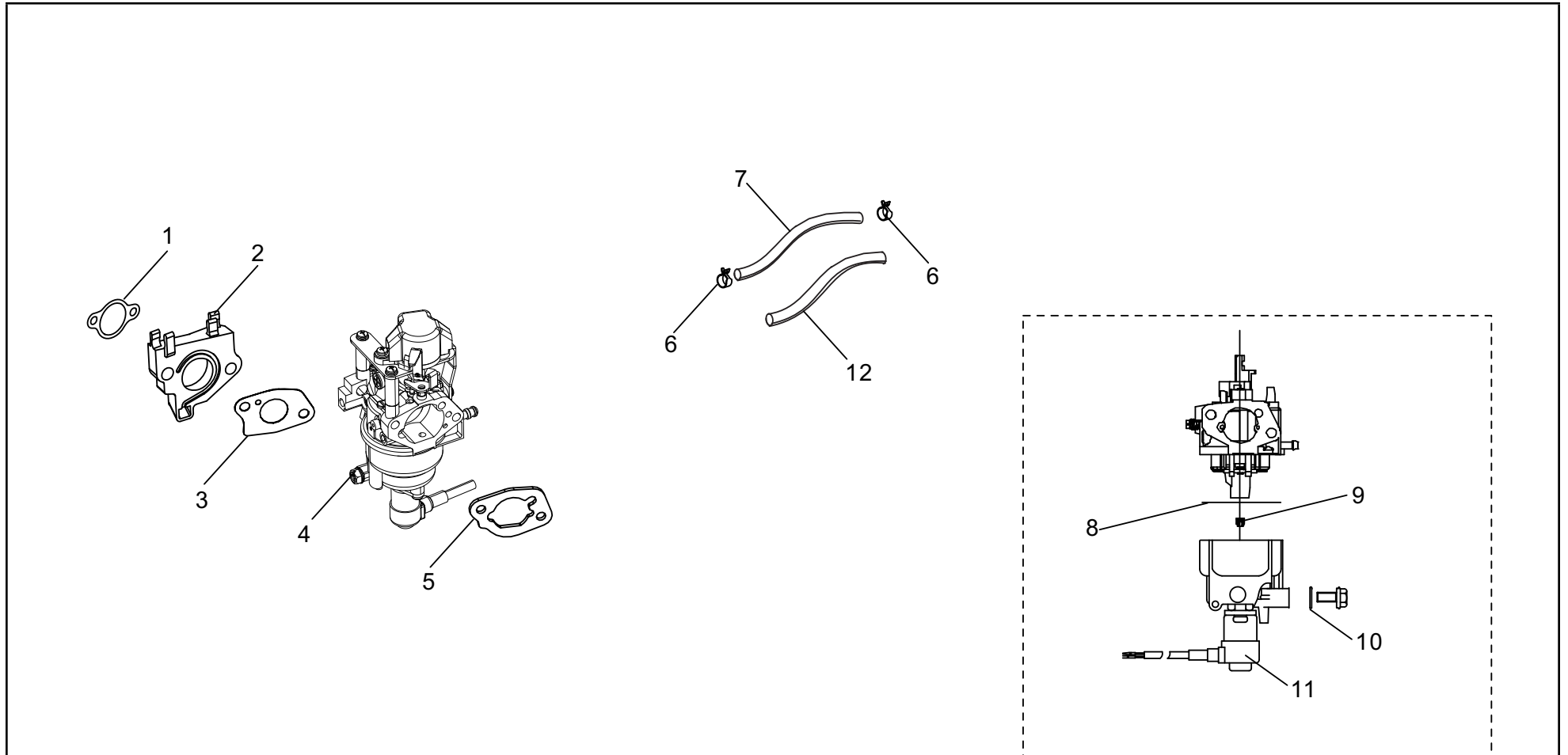


Figure D

**CARBURETOR PARTS LIST**

#	Part Number	Description	Qty.
1	17002-000002	Inlet Gasket	1
2	16003-000003	Carburetor Insulator Plate	1
3	16001-000003	Carburetor Gasket	1
4	16100-000082	Carburetor Assy	1
5	17001-000006	Air Cleaner Gasket	1
6	90685-000012	Clamp, Ø8 x 7 x 0.6	2
7	90686-000035	Fuel Tube, Ø4.5 x Ø8.5 x 190	1
8	16112-000003	Seal Ring, Float	1
9	16161-000006	Main Jet(H128x0.39), Standard	1
	16161-000054	Main Jet(H128x0.41), Altitude 3000-6000 Feet	/
	16161-000009	Main Jet(H128x0.43), Altitude 6000-8000 Feet	/
10	90681-000007	Seal Ring	1
11	16108-000001	Magnetic Valve	1
12	30431-000013	Rubber Sleeve, Ø9.5 x Ø11 x 150	1

# ALTERNATOR PARTS DIAGRAM

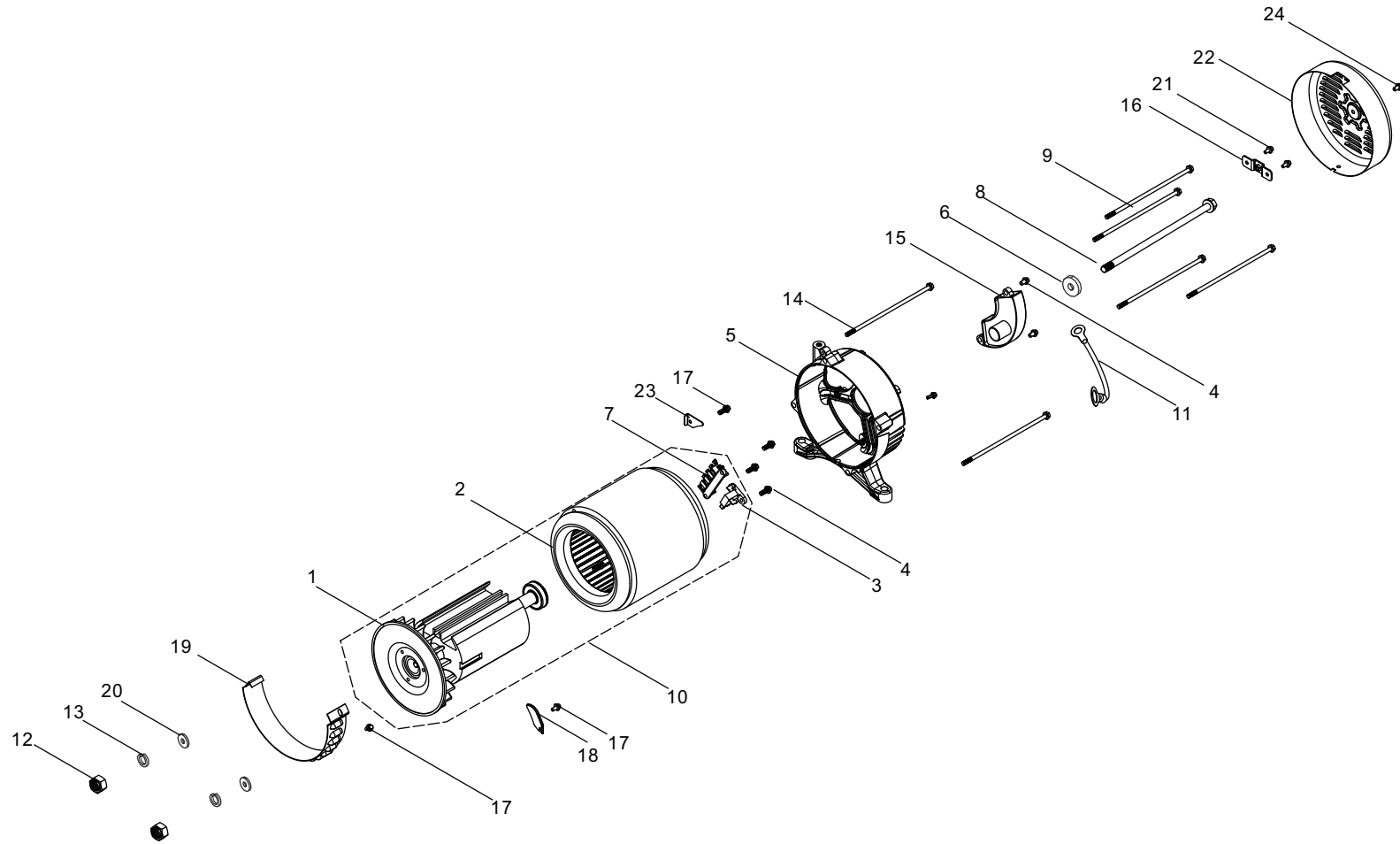


Figure E

**ALTERNATOR PARTS LIST**

#	Part Number	Description	Qty.
1	31330-000009	Rotor, AL, D190 x 158	1
2	31310-000017	Stator, AL	1
3	31320-000002	Carbon Brush Assy	1
4	90001-000007	M5 x 16 Hex Flange Bolt, White Zn	6
5	30021-000005	End Housing, Alternator	1
6	90408-000011	Flat Washer, Ø10.4 x Ø30 x 4, White Zn	1
7	31303-000002	Terminal Block	1
8	30049-000004	M10 x 285, Rotor Bolt, White Zn	1
9	30048-000004	M6 x 199, Stator Bolt, White Zn	4
10	31300-000027	Alternator Assembly, AL, D190 x 158	1
11	30009-000014	Grounding Wire	1
12	90303-000001	M5 Hex Flange Nut, White Zn	2
13	90403-000002	Spring Washer, Blk Zn	2
14	31316-000002	M5 x 232 Stator Bolt	2
15	30060-000010	AVR	1
16	51124-000010	Mounting Bracket, White Zn	1
17	90001-000001	M5 x 10 Hex Flange Bolt, White Zn	3
18	30023-000005	Stopper, Motor Right Cover, White Zn	1
19	30024-000003	Engine Fan Vent	1
20	90408-000003	Flat Washer, Ø5, White Zn	2
21	90007-000003	M5 x 12 Hex Flange Bolt, Blk Zn	2
22	30022-000009	End Housing Cover, PMS 109C	1
23	30023-000008	Stopper, Motor Right Cover	1
24	90001-000019	M6 x 12 Hex Flange Bolt, Blk Zn	1

# FUEL TANK PARTS DIAGRAM

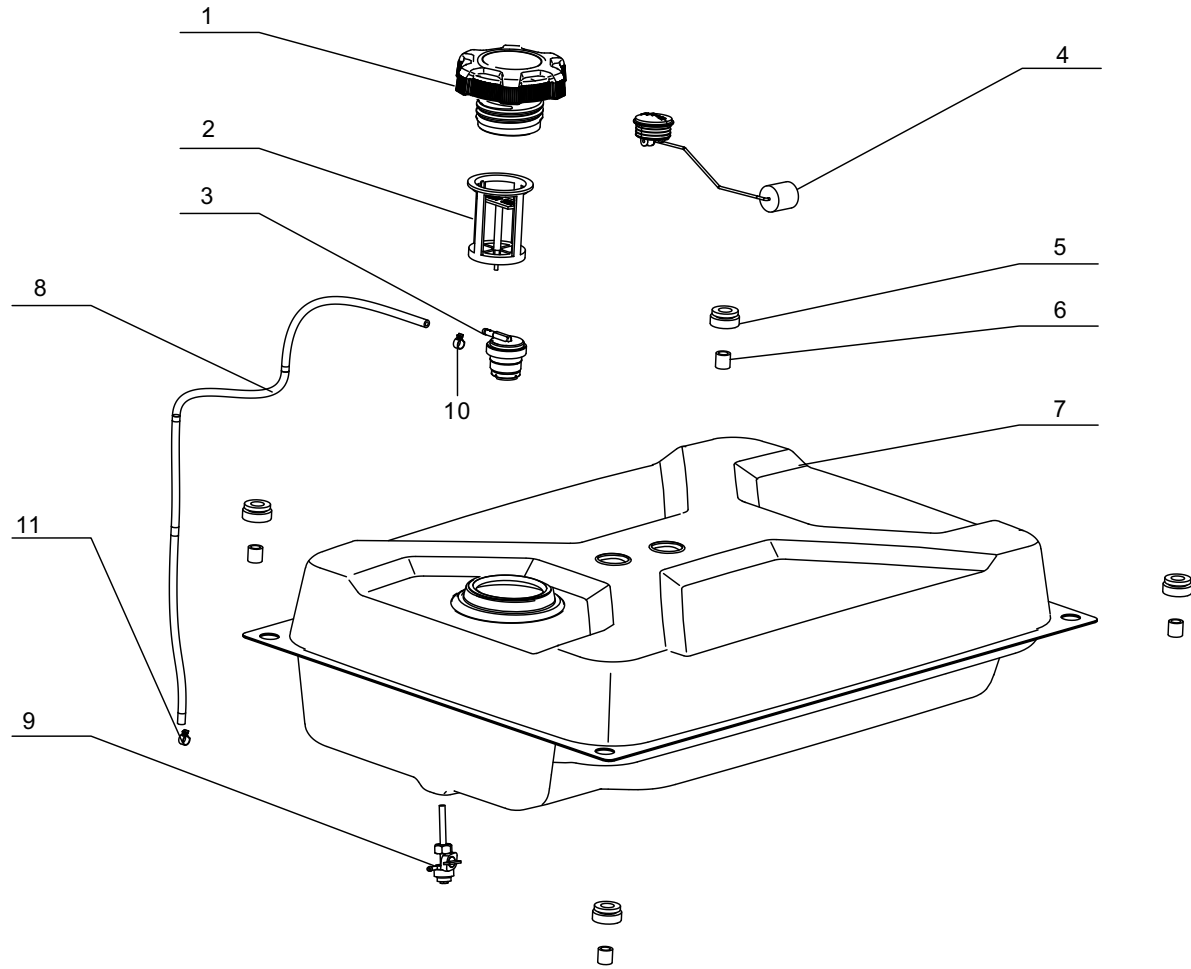


Figure F

**FUEL TANK PARTS LIST**

#	Part Number	Description	Qty.
1	16730-000010	Fuel Tank Cap	1
2	16652-000009	Fuel Filter	1
3	15150-000003	One Way Valve	1
4	37200-000010	Fuel Gauge	1
5	16601-000001	Vibration Mount, Ø12.5 x 16, Fuel Tank	4
6	90683-000001	Bushing, Ø8.7 x 12.2, White Zn	4
7	16620-000018	Fuel Tank, PMS 109C, 29.1L, RT2910A	1
8	16804-000027	Connection Tube, Ø4.5 x Ø8.5 x 845	1
9	16750-000003	Fuel Valve Assy	1
10	90740-000005	Clamp, Ø9	1
11	90685-000002	Clamp, Ø9.0 x 0.8 x 8	1

# CONTROL PANEL PARTS DIAGRAM

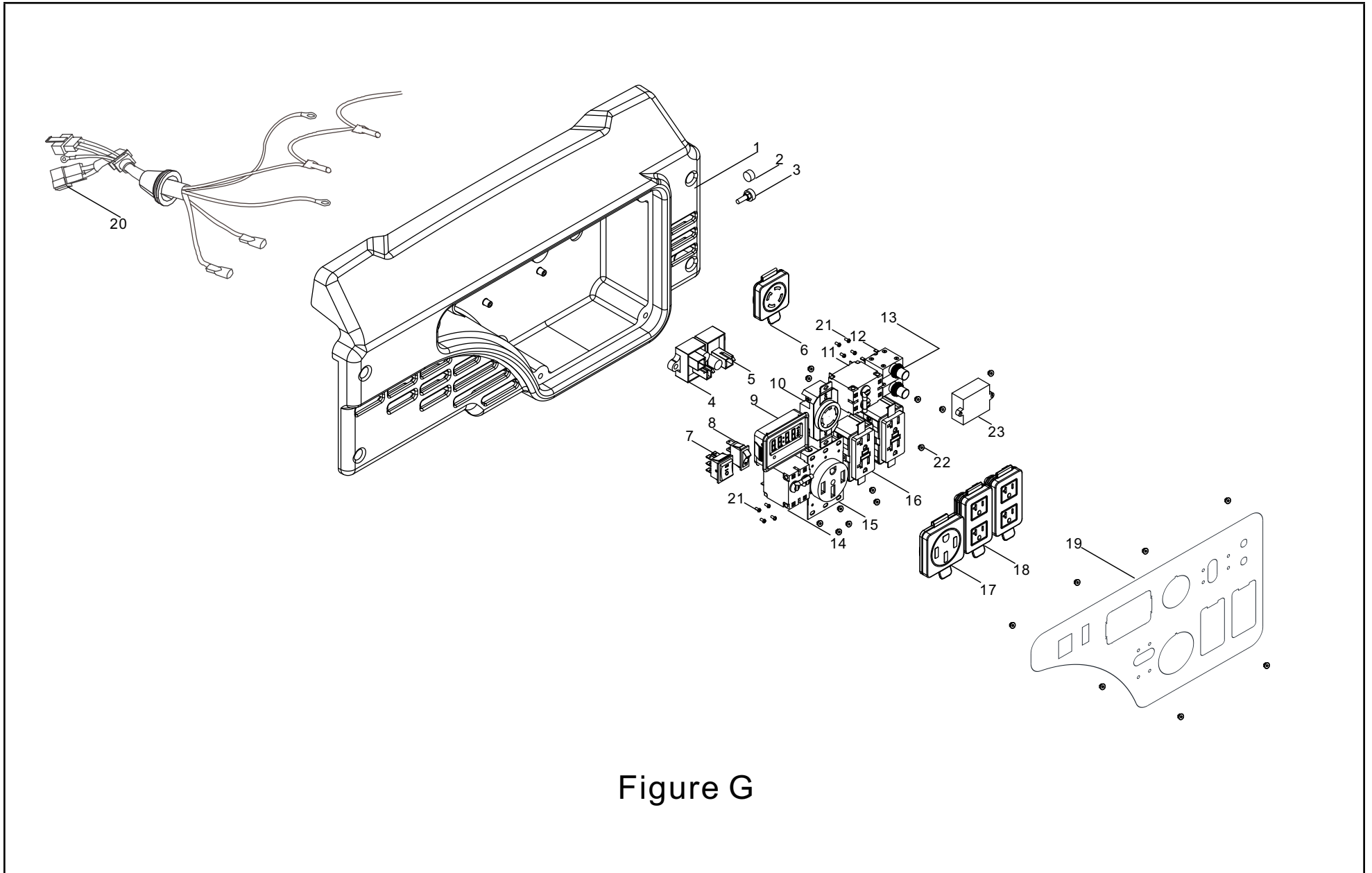


Figure G



**CONTROL PANEL PARTS LIST**

#	Part Number	Description	Qty.
1	35680-000036	Control Panel Seat	1
2	90803-000001	Indicator Light, Remote	1
3	35646-000002	Button, Resetting, 0.5A/AC220V, Red	1
4	30007-000002	Charging Module, EC0803	1
5	30008-000002	OVP Module, OV0201	1
6	35654-000010	Receptacle Cover, L14-30R	1
7	35160-000005	Engine Switch	1
8	35000-000001	Battery Switch	1
9	35632-000006	Intelligauge, INT1AOF	1
10	35614-000014	L14-30R Receptacle, 30A, 125V	1
11	35627-000001	30Amp Circuit Breaker, 2P Flip, 250V	1
12	31234-000003	20Amp Circuit Breaker, Push Button, 250V	2
13	35654-000005	Cover, Push Button	2
14	35627-000007	33Amp Circuit Breaker, 2P Flip, 250V	1
15	35614-000015	14-50R Receptacle, 50A, 125V/250V	1
16	35614-000018	5-20R GFCI Receptacle, 20A, 125V	2
17	35654-000012	Receptacle Cover	1
18	35654-000013	Receptacle Cover, 5-20R	2
19	35650-000071	Control Panel	1
20	35660-000079	Wire Harness, Control Panel	1
21	90103-000017	M3 x 6 Screw, Blk Zn	8
22	90305-000002	M4 Hex Flange Nut, White Zin	19
23	30008-000012	Control Module	1

# FRAME ASSEMBLY PARTS DIAGRAM

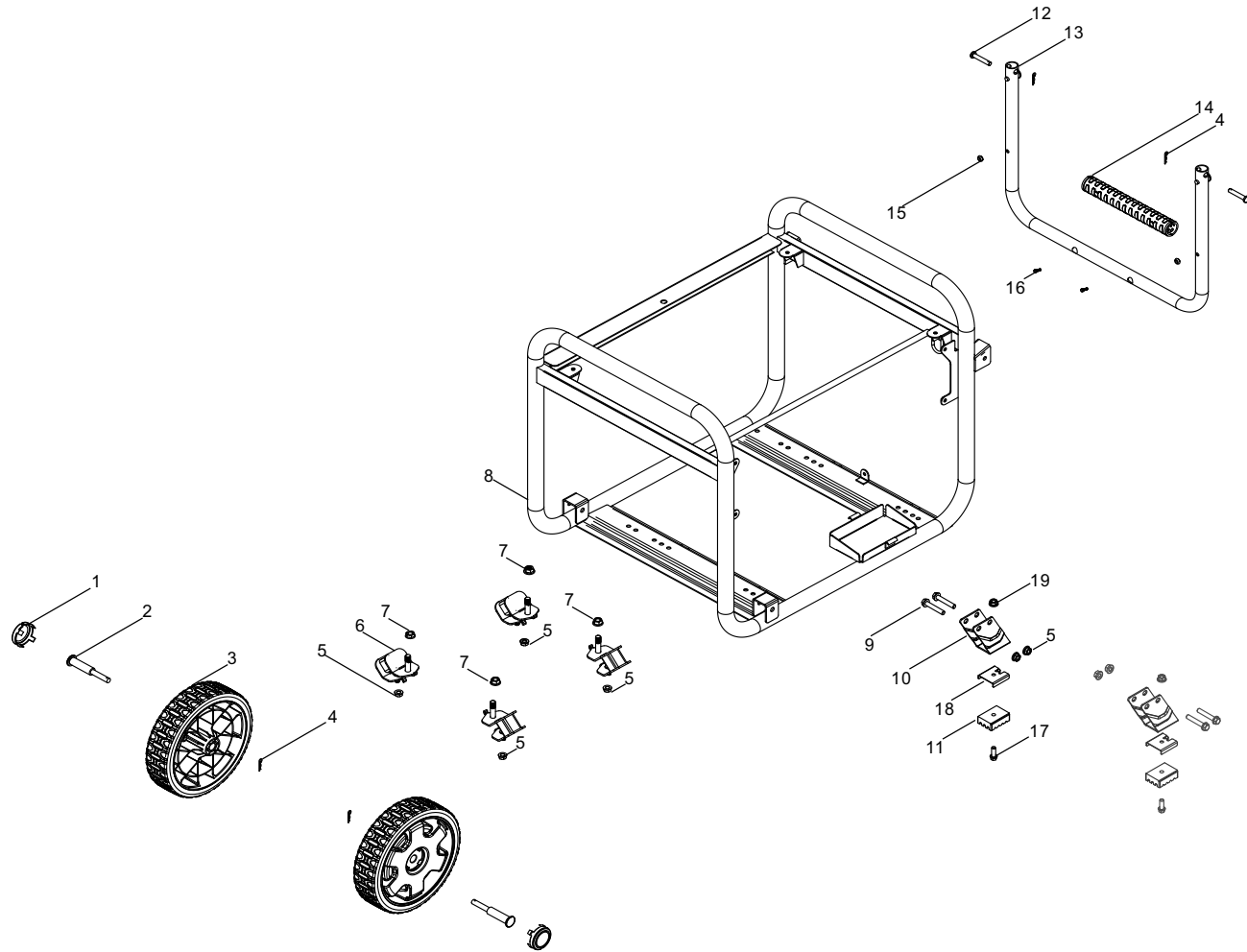


Figure H

**FRAME ASSEMBLY PARTS LIST**

#	Part Number	Description	Qty.
1	44001-000003	Cover, Hub Decorated	2
2	44020-000011	Roll Pin, Blk Zn	2
3	44110-000008	9.5in. Wheel, Yellow	2
4	90583-000001	R Pin, Ø2 x 38, Blk Zn	4
5	90305-000011	M8 Hex Flange Nut, Blk Zn	8
6	51012-000001	Rear Vibration Mount, Frame	4
7	90306-000002	M10 Hex Flange Nut, Blk Zn	4
8	51100-000078	Frame Assy	1
9	90001-000054	M8 x 50 Hex Flange Bolt, Blk Zn	4
10	51016-000011	Support Leg	2
11	51014-000017	Rubber Foot	2
12	90504-000002	Pin Shaft, Blk Zn	2
13	54110-000013	Handle, U Type	1
14	54101-000006	Handle Sheath	1
15	90722-000006	End Plug	2
16	90103-000007	M4 x 16 Cross Recess Pan Head Screw, Blk Zn	2
17	90001-000025	M6 x 20 Hex Flange Bolt, Blk Zn	2
18	24329-000008	Heat Shield	2
19	90305-000008	M6 Hex Flange Nut, Blk Zn	2

# WIRING DIAGRAM

