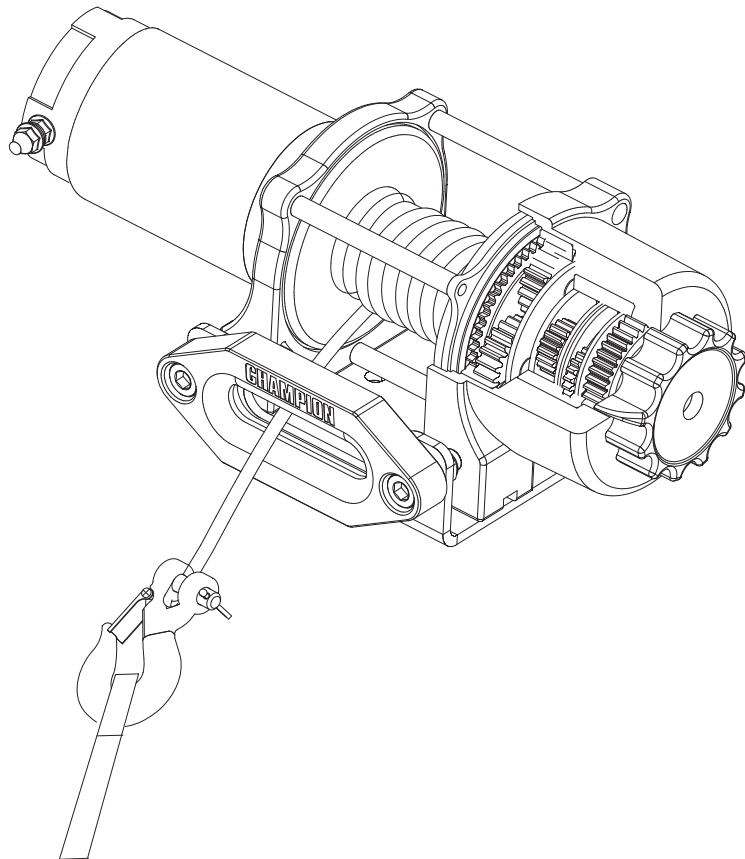




Champion Power Equipment, Inc.

MODEL #100590



PARTS INFORMATION

4500 LB. (2041 KG) WINCH

SERIAL NUMBER RANGE: ALL



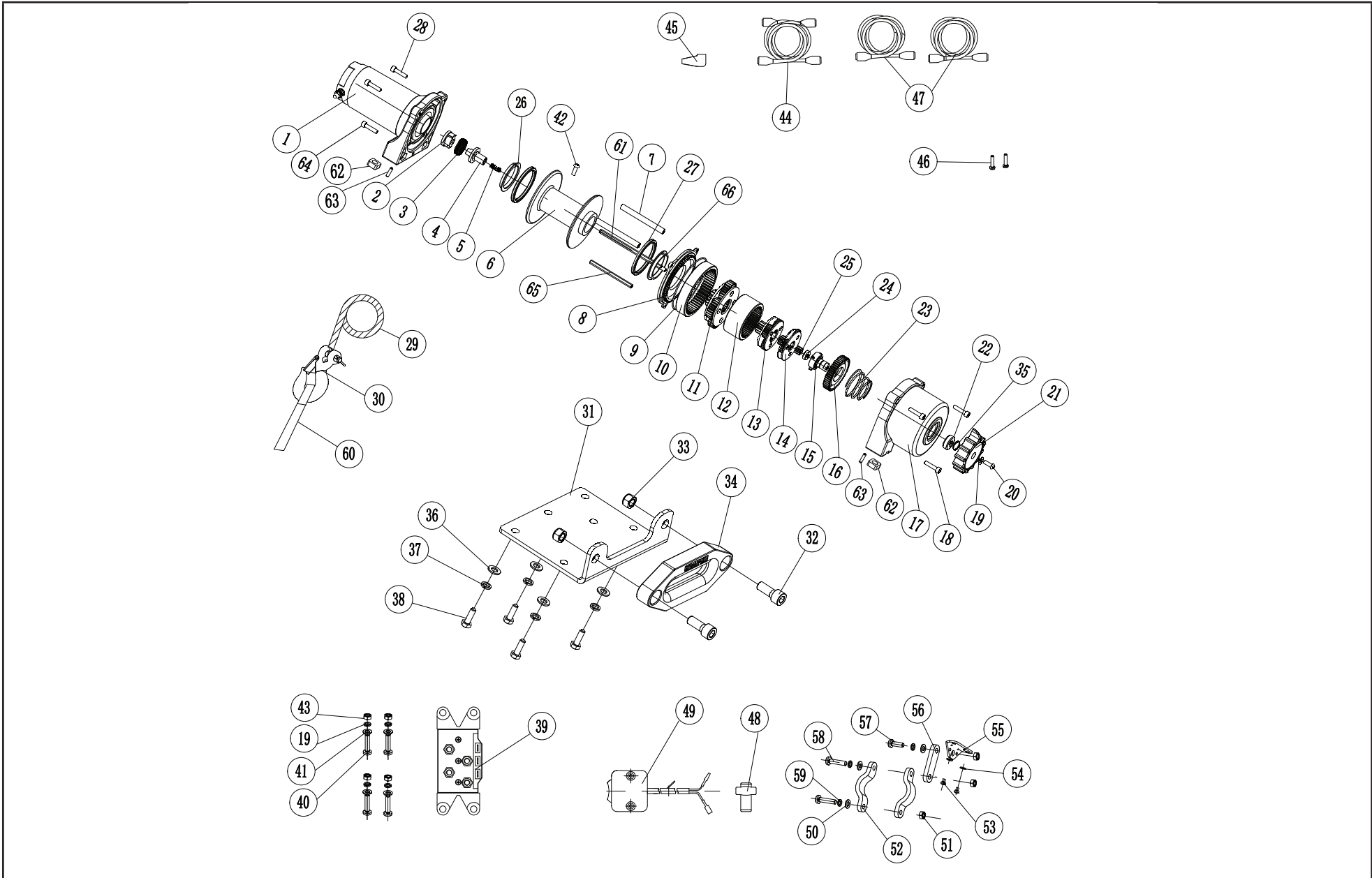
To order replacement parts please visit:
shop.championpowerequipment.com
or call **1-877-338-0999**.

TABLE OF CONTENTS

Winch Parts Diagram **3**

Winch Parts List **4**

WINCH PARTS DIAGRAM



WINCH PARTS LIST

#	Part Number	Description	Qty.
1	456100B	Motor Assembly - Black Flat	1
2	450001	Coupling, I	1
3	450002	Spring,Coupling	1
4	450003A	Coupling, II	1
5	410001	Spring	1
6	410200-BF	Drum Assembly - Black Flat	1
7	410002-D	Tie Bar - Dacromet	2
8	410003A	Gear Housing Cover - Black Flat	1
9	410004	O Ring Ø100 x 1.9	1
10	410005	Gear Ring I	1
11	410006	Gear Carrier Assembly, Output	1
12	410007A	Gear Ring II	1
13	410008	Gear Carrier Assembly, Intermediate	1
14	410009	Gear Carrier Asembly, Input	1
15	410010A	Axis Support Bushing	1
16	410011A	Cam Clutch Gear	1
17	410012-BF	Gear Housing - Black Flat	1
18	410013A	Hexagon Socket Head Screw M4 x 20	1
19	250017-D	Lock Washer Ø6 - Dacromet	5
20	250018-D	Cross Recessed Pan Head Screw M6 x 16 - Dacromet	1
21	250016-BF	Clutch Cap - Black Flat	1
22	GB2760-BB6802-2Z	Radial Ball Bearing 6802-2Z Sealed	1
23	410014	Cultch Spring	1
24	GB2760-BB0606-2Z	Radial Ball Bearing 0606-2Z Sealed	1
25	410015	Sun Gear,Input	1
26	410016	Drum Bushing, Motor Side.	1
27	410017	Seal Ring	2
28	410018-D	Hexagon Socket Head Screw M5 x 16 - Dacromet	4

#	Part Number	Description	Qty.
29	450900-D	Domestic Synthetic Rope - 6.0mm(D) x 11.6m(L), Grey(Smoke)	1
30	C20002	1/4 in. Clevis Hook	1
31	250086-BF	Mounting Channel - Black Flat	1
32	250087-D	Hexagon Socket Set Screw M10 x 25 - Dacromet	2
33	250036-D	Lock Nut M10 - Dacromet	2
34	100374	Aluminum Hawse - 124mm	1
35	250011	Circlip Ø15	1
36	300019-D	Flat Washer Ø8 - Dacromet	4
37	300020-D	Lock Washer Ø8 - Dacromet	4
38	450021-D	Hexagon Head Bolt M8 x 25 - Dacromet	4
39	410019	Contactora	1
40	400011-D	Hexagon Head Bolt M6 x 25 - Dacromet	4
41	250002-D	Flat Washer Ø6 - Dacromet	4
42	410024	Cross Recess Pan Head Screw M6 x 8	1
43	400013-D	Lock Nut M6 - Dacromet	4
44	456001	Battery Wires - Red, 36 in. (L) / 6GAUGE	1
	456002	Battery Wires - Black, 36 in. (L) / 6GAUGE	1
45	400017	Terminal Protector	8
46	400014-D	Hexagon Head Bolt M6 x 1.0 x 20 - Dacromet	2
47	456003	Winch Wires - Yellow, 72 in. (L) / 6GAUGE	1
	456004	Winch Wires - Blue, 72 in. (L) / 6GAUGE	1
48	400020	Wire Tap	1
49	400021	Mini-Rocker Switch	1
50	400023-D	Flat Washer Ø5 - Dacromet	3
51	400025-D	Nut M5 - Dacromet	3
52	400026-BF	Mini-Rocker Switch Clamp - Black Flat	2
53	400027	Screw #6-32 x 9/32 in	2
54	400028	Lock Washer Ø6	2

#	Part Number	Description	Qty.
55	400029-BF	Mini-Rocker Switch Mounting Angle - Black Flat	1
56	400030-BF	Mini-Rocker Switch Extender - Black	1
57	400031-D	Hexagon Socket Head Screw M5 x 18 - Dacromet	1
58	400022-D	Hexagon Socket Head Screw M5 x 25 - Dacromet	2
59	400024-D	Lock Washer Ø5 - Dacromet	3
60	410022	Yellow Strap	1
61	410025	Hexagonal Shaft	1
62	500016	Square Nut	4
63	500017	Elastic Cylindrical Pin Ø3 x 14	4
64	410018A	Hexagon Socket Head Screw M4 x 16	1
65	410002A	Hexagon Tie Bar	1
66	410016A	Drum Bushing, Gear Housing Side.	1