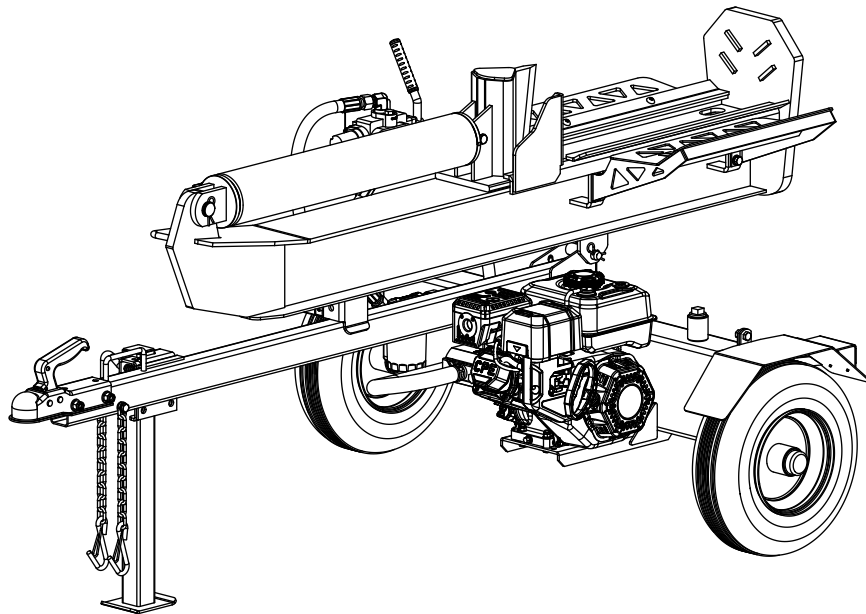




Champion Power Equipment, Inc.

MODEL #201518



PARTS INFORMATION

27 TON FULL BEAM LOG SPLITTER

SERIAL NUMBER RANGE: ALL

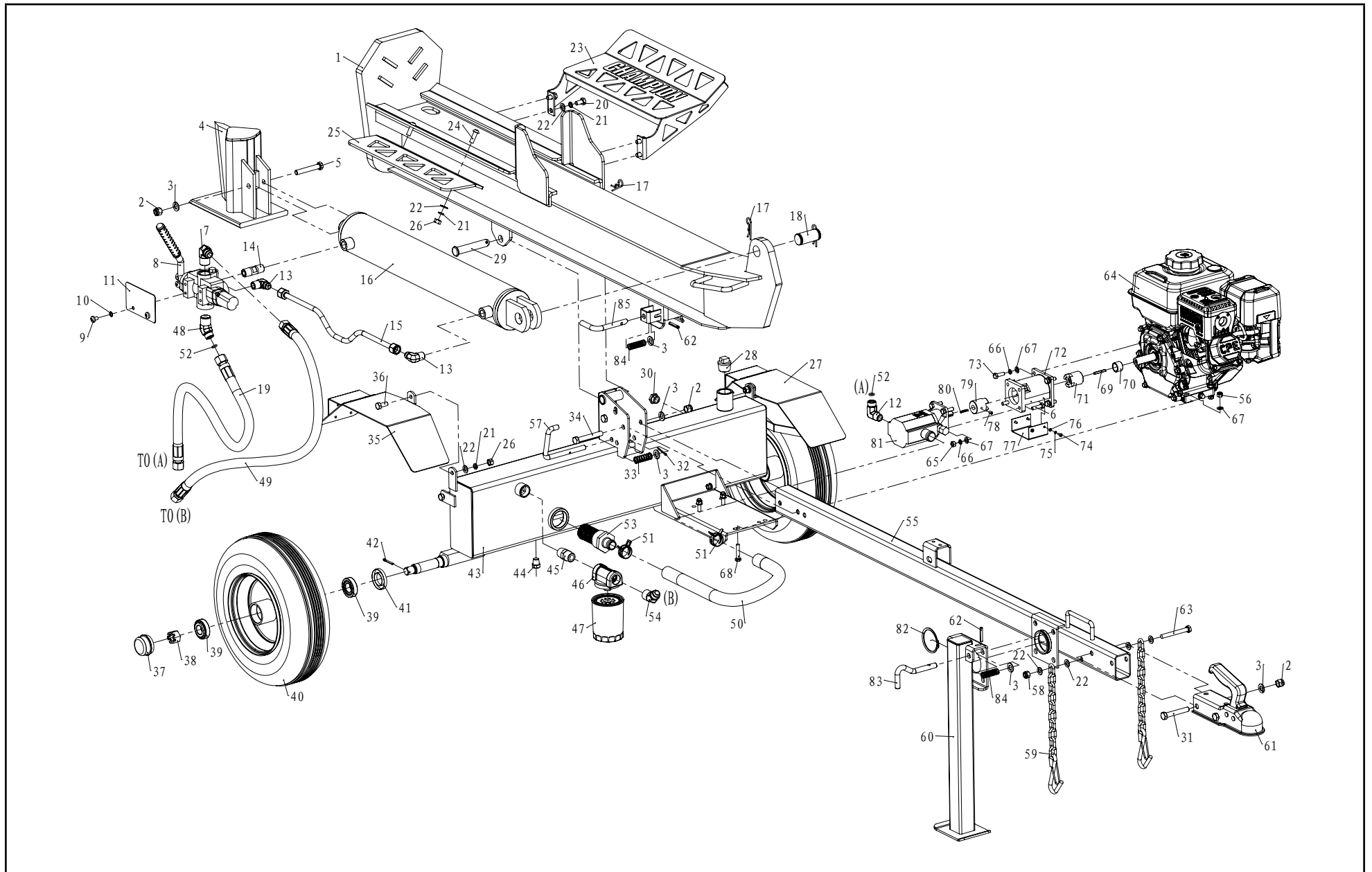


To order replacement parts please visit:
shop.championpowerequipment.com
or call **1-877-338-0999**.

TABLE OF CONTENTS

Log Splitter Parts Diagram.....	3
Log Splitter Parts List.....	4
Engine Parts Diagram.....	6
Engine Parts List.....	7

LOG SPLITTER PARTS DIAGRAM



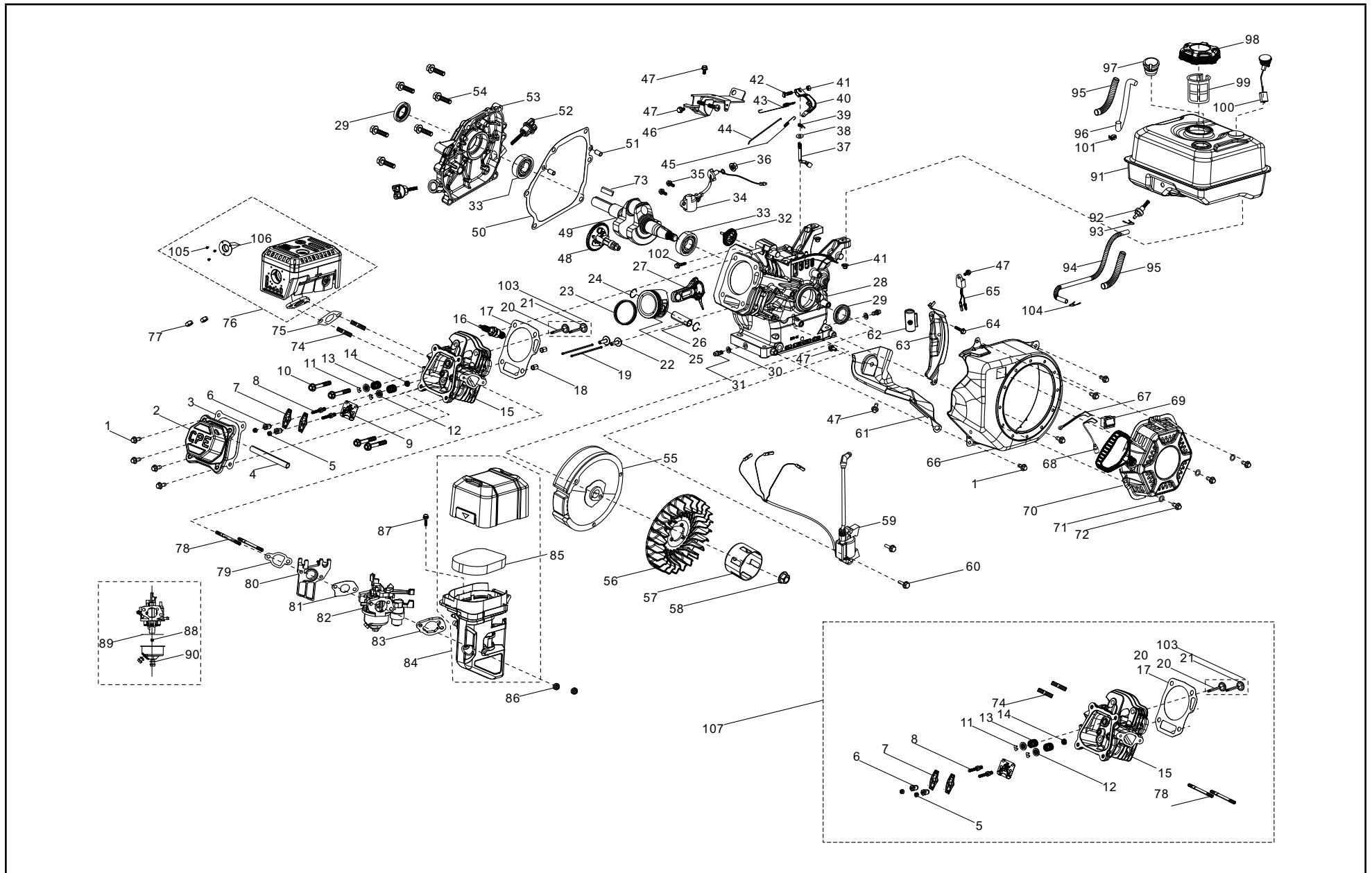
LOG SPLITTER PARTS LIST

#	Part Number	Description	Qty.
1	PMJ25E-01-00	Beam	1
2	G889.1-2000-M12	Lock Nut M12	5
3	G95-2000-12	Washer Ø12	8
4	PMJ25E-02-00	Wedge Slide	1
5	G5782-2000-M12-75	Bolt M12x75(12.9)	1
6	G5783-2000-M8-30	Bolt M8x30	4
7	PMJ25Y-23	JIC Connector, 90 Degree	1
8	PMJ25E-12	Control Valve	1
9	G818-2000-M8-12	Bolt M8x12	2
10	G859-1987-8	Washer Ø8	2
11	PMJ22J-19	Plate	1
12	PMJ25M-16	Outlet Connector Of Pump	1
13	PMJ25M-29	Right Angle Joiner	2
14	PMJ22M-22	Valve Joiner	1
15	PMJ25M-28	Hydraulic Hose(Valve-Cylinder)	1
16	PMJ25M-08-00	Cylinder	1
17	GJY12-3	R Pin	3
18	PMJ25M-13	Wedge Pin	1
19	PMJ25M-15A	Hydraulic Hose(Valve-Pump)	1
20	G5781-2000-M10-20	Bolt M10x20	4
21	G93-1987-10	Lock Washer Ø10	10
22	G95-2000-10	Washer Ø10	14
23	PMJ25M-36-00	Log Catcher Bracket	1
24	G70.2-2000-M10-30	Bolt M10x30	2
25	PMJ25M-31	Short Log Catcher	1
26	G6170-2000-M10	Nut M10	6
27	PMJ22G-35-00	Right Fender	1
28	PMJ22G-18	Screw NPT 1 in.	1
29	PMJ25Y-19	Pin	1
30	G1160.2-89	Oil Scale	1

#	Part Number	Description	Qty.
31	G5782-2000-M12-75	Bolt M12x75	2
32	G95-2000-3.2-14	Cotter Pin 3.2x14	1
33	PMJ25Y-17	Spring	1
34	G5782-2000-M12-80	Bolt M12x80	2
35	PMJ22G-34-00	Left Fender	1
36	G5783-2000-M10-25	Bolt M10x25	4
37	PMJ22J-05-02	Axle Cap	2
38	G9459-1988-M20-1.5	Slotted Nut M20x1.5	2
39	L44634 LYC DS	Tapered Bearing	4
40	PMJ22D-05-03	Wheel	2
41	PMJ22J-05-01	Cased Seal	2
42	G91-2000-4-32	Cotter Pin Ø4x32	2
43	PMJ20B-04-00	Oil Tank	1
44	PMJ22G-19	Oil Plug	1
45	PMJ22Q-23	Through Joint	1
46	PMJ25M-20-00	Auto Filter Base	1
47	PMJ22G-52	Auto Filter	1
48	PMJ20J-17	Filter Housing "OUT" Connection	1
49	PMJ25Y-22	Hydraulic Hose(Valve-Oil Tank)	1
50	PMJ25M-17	Oil Pipe	1
51	PMJ25Y-38	Clamp d30	2
52	G3452.1-92-10-2.65	"O" Ring Ø10x2.65	2
53	PMJ22Q-20A	Internal Oil Filter	1
54	PMJ25Y-24	JIC Connector, 135 Degree	1
55	PMJ25E-03-00	Base Tube	1
56	G889.1-2000-M8	Lock Nut M8	4
57	PMJ25Y-15	Pin	1
58	G889.1-2000-M10	Lock Nut M10	1
59	PMJ25M-18-00	Safety Chain With Hook	2
60	PMJ25Y-07-00	Front Support Leg	1

#	Part Number	Description	Qty.
61	PMJ27B-40	2-in. Coupler	1
62	G879.2-2000-6-40	Elastic Cylindrical Pin 6x40	2
63	G5782-2000-M10-85	Bolt M10x85	1
64	R224P-E00DY	Engine	1
65	G6170-2000-M8	Nut M8	4
66	G93-1987-8	Lock Washer Ø8	8
67	G95-2000-8	Washer Ø8	12
68	G5782-2000-M8-40	Bolt M8x40	4
69	G1096-1979-5-36	Flat Key 5x36	1
70	PMJ22G-29	Engine Bushing	1
71	PMJ22G-28	Engine Connector	1
72	PMJ22G-27	Gear Pump Stand	1
73	ASME-B18.2.1-1996-516-24-1	Bolt 5/16 in.-24x1 in.	4
74	G818-2000-M4-10	Cross Head Screw M4x10	4
75	G859-1985-4	Lock Washer Ø4	4
76	G848-1987-4	Washer Ø4	4
77	PMJ22G-32	Connector Cover	1
78	G77-2000-M6-10	Screw M6x10	1
79	PMJ22G-26	Gear Pump Connector	1
80	G1096-1979-3.18-25.4	Flat Key 3.18x25.4	1
81	PMJ22J-14	Gear Pump	1
82	G894.1-86-63	Circlip Ø63	1
83	PMJ25Y-16	Lock Pin	1
84	PMJ25Y-18	Spring	2
85	PMJ25Y-14	Lock Pin	1

ENGINE PARTS DIAGRAM



ENGINE PARTS LIST

#	Part Number	Description	Qty.
1	90001-000018	Hex Flange Bolt, M6 x 12, White Zn	8
2	12410-000011	Cylinder Head Cover Assy, White Zn	1
3	12004-000013	Cylinder Head Cover Gasket	1
4	17004-000019	Tube, Breather, Ø8 x Ø12 x 90	1
9	14090-000001	Lifter Stopper Plate Assy, White Zn	1
10	12003-000001	Cylinder Head Bolt, M8 x 60, White Zn	4
16	30010-000001	Spark Plug, F6RTC	1
18	90502-000007	Pin, 11 x 14	2
19	14071-000004	Valve Lifter	2
22	14081-000002	Valve Tappet	2
23	13200-000004	Piston Ring Assy	1
24	13122-000005	Piston Pin Clip	2
25	13111-000016	Piston	1
26	13121-000011	Piston Pin, Ø13 x Ø45.9	1
27	13010-000012	Connecting Rod	1
28	11310-000023	Crankcase Assy	1
29	90682-000010	Oil Seal, Ø25 x Ø41.25 x 6	2
30	90408-000019	Washer, Ø10 x Ø15.8 x 1.5	2
31	11007-000001	Drain Plug Bolt, M10 x1.25 x15, White Zn	2
32	16400-000007	Governor Gear Assy	1
33	90547-000006	Bearing, 6205	2
34	37060-000001	Engine oil Sensor	1
35	90001-000020	Hex Flange Bolt, M6 x 14, White Zn	2
36	90305-000014	Hex Flange Nut, M10, White Zn	1
37	16061-000001	Governor Arm	1
38	90408-000020	Washer, Ø6.2 x Ø15 x 0.6	1
39	90501-000005	Pin, White Zn	1
40	16070-000001	Governor Support Assy, White Zn	1
41	90305-000007	Hex Flange Nut, M6, White Zn	3

#	Part Number	Description	Qty.
42	16072-000001	Governor Support Bolt, M6 x 21, White Zn	1
43	16063-000017	Spring, Governor	1
44	16062-000001	Governor Rod, White Zn	1
45	16012-000002	Throttle Valve Returning Spring	1
46	16520-000003	Throttle Control Assy, White Zn	1
47	90001-000016	Hex Flange Bolt, M6 x 10, White Zn	5
48	14200-000021	Camshaft Assy	1
49	13300-000027	Crankshaft Assy	1
50	11001-000008	Crankcase Gasket	1
51	90502-000005	Pin, 9 x 12	2
52	15010-000012	Oil Dipstick Assy	2
53	11411-000011	Crankcase Cover	1
54	90001-000047	Hex Flange Bolt, M8 x 32, White Zn	6
55	13510-000014	Flywheel Assy	1
56	19352-000012	Impeller	1
57	28002-000004	Starter Pulley, White Zn	1
58	13501-000001	Flywheel Nut, M14 x 1.5, White Zn	1
59	30400-000022	Ignition Coil	1
60	90001-000026	Hex Flange Bolt, M6 x 25, White Zn	2
61	19304-000001	Cylinder Body Shroud, White Zn	1
62	90684-000002	Clip	1
63	19340-000004	Lower Shield, White Zn	1
64	90001-000022	Hex Flange Bolt, M6 x 16, White Zn	1
65	37050-000001	Oil Protector, White Zn	1
66	28110-000030	Shroud	1
67	35555-000004	Switch Connector Grounding Wire	1
68	35541-000004	Stop Engine Connecting Wire	1
69	35540-000004	Stop Engine Switch Assy	1
70	28200-000008	Recoil Starter Assy	1

#	Part Number	Description	Qty.
71	90408-000004	Washer, Blk Zn	3
72	90001-000014	Hex Flange Bolt, M6 x 8, Blk Zn	3
73	90521-000001	Key	1
75	18001-000007	Exhaust Gasket	1
76	18100-000031	Muffler Assy	1
105	90107-000015	Screw,ST4.2x9	3
106	18250-000009	Spark Arrestor	1
77	90303-000005	Hex Nut, M8, White Zn	2
79	16002-000001	Carburetor Insulator Gasket	1
80	16003-000001	Carburetor Insulator Plate	1
81	16001-000001	Carburetor Gasket	1
82	16100-000057	Carburetor Assy	1
88	16161-000031	Main Jet, Standard	1
	16161-000027	Main Jet, Altitude 3000-6000 Feet	1
	16161-000025	Main Jet, Altitude 6000-8000 Feet	1
89	16112-000001	Seal Ring, Float	1
90	90681-000003	Seal Ring	1
83	17001-000002	Air Cleaner Gasket	1
84	17100-000004	Air Cleaner	1
85	17151-000007	Air Cleaner Element	1
86	90305-000008	Hex Flange Nut, M6, Blk Zn	2
87	90007-000017	Hex Flange Bolt, M6 x 30, White Zn	1
91	16620-000043	Fuel Tank	1
92	16680-000003	Fuel Tank Oil Outlet Assy	1
93	90740-000004	Clamp	1
94	90686-000025	Fuel Pipe, Ø4.5 x Ø8.5 x 160	1
95	30431-000016	Rubber Jacket, Ø9.5 x Ø11 x 90, Blk	2
96	16805-000015	Rubber Hose, Air Cleaner, Ø4.5 x Ø8.5 x 260	1
97	15150-000005	Valve, One Way	1
98	16730-000022	Fuel Tank Cap	1
99	16652-000012	Fuel Strainer	1

#	Part Number	Description	Qty.
100	37200-000016	Fuel Gauge	1
101	90685-000013	Clamp, Ø8.5 x 0.6 x 8	1
102	90001-000030	Hex Flange Bolt, M6 x 30, White Zn	1
104	90685-000012	Clamp, Ø8 x 0.6 x 7	1
107	96101-Z120410-0027	Cylinder Head Assy - See Figure C	1
5	14312-000001	Valve Lock Nut	2
6	14314-000001	Valve Adjusting Nut	2
7	14311-000001	Valve Rocker	2
8	14313-000001	Valve Adjusting Bolt	2
11	12109-000004	Valve Lock Clamp	4
12	12112-000008	Valve Spring Retainer	2
13	12103-000001	Valve Spring	2
14	12101-000006	Seal Guide	1
15	12140-000019	Cylinder Head Assy	1
17	12131-000015	Cylinder Head Gasket	1
103	12110-000013	Valve Set	1
20	12121-000013	Exhaust Valve	1
21	12111-000010	Inlet Valve	1
74	90203-000001	Stud, M8 x 34, Blk Zn	2
78	90204-000015	Stud, M6 x 115, Blk Zn	2