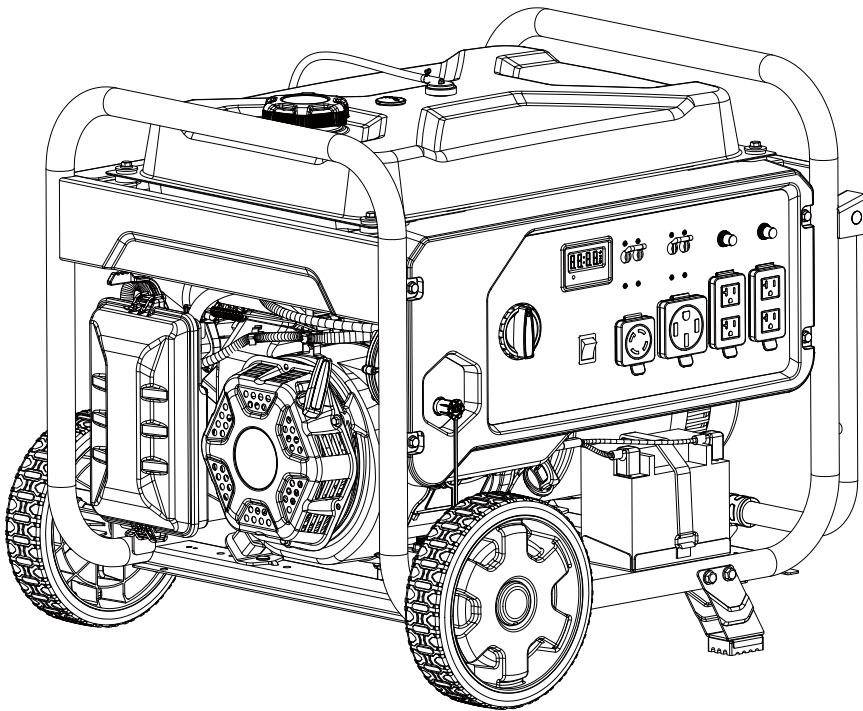




Champion Power Equipment, Inc.

**MODEL #201508**



## **PARTS INFORMATION**

**9500W DUAL FUEL ELECTRIC START GENERATOR**

**SERIAL NUMBER RANGE: ALL**



To order replacement parts please visit:  
**[shop.championpowerequipment.com](http://shop.championpowerequipment.com)**  
or call **1-877-338-0999**.

## **TABLE OF CONTENTS**

<b>Generator Parts Diagram</b> .....	<b>3</b>
<b>Generator Parts List</b> .....	<b>4</b>
<b>Engine Parts Diagram</b> .....	<b>5</b>
<b>Engine Parts List</b> .....	<b>6</b>
<b>Cylinder Head Parts Diagram</b> .....	<b>8</b>
<b>Cylinder Head Parts List</b> .....	<b>9</b>
<b>Carburetor Parts Diagram</b> .....	<b>10</b>
<b>Carburetor Parts List</b> .....	<b>11</b>
<b>Alternator Parts Diagram</b> .....	<b>12</b>
<b>Alternator Parts List</b> .....	<b>13</b>
<b>Fuel Tank Parts Diagram</b> .....	<b>14</b>
<b>Fuel Tank Parts List</b> .....	<b>15</b>
<b>Control Panel Parts Diagram</b> .....	<b>16</b>
<b>Control Panel Parts List</b> .....	<b>17</b>
<b>Frame Assembly Parts Diagram</b> .....	<b>18</b>
<b>Frame Assembly Parts List</b> .....	<b>19</b>
<b>Wiring Diagram</b> .....	<b>20</b>

# GENERATOR PARTS DIAGRAM

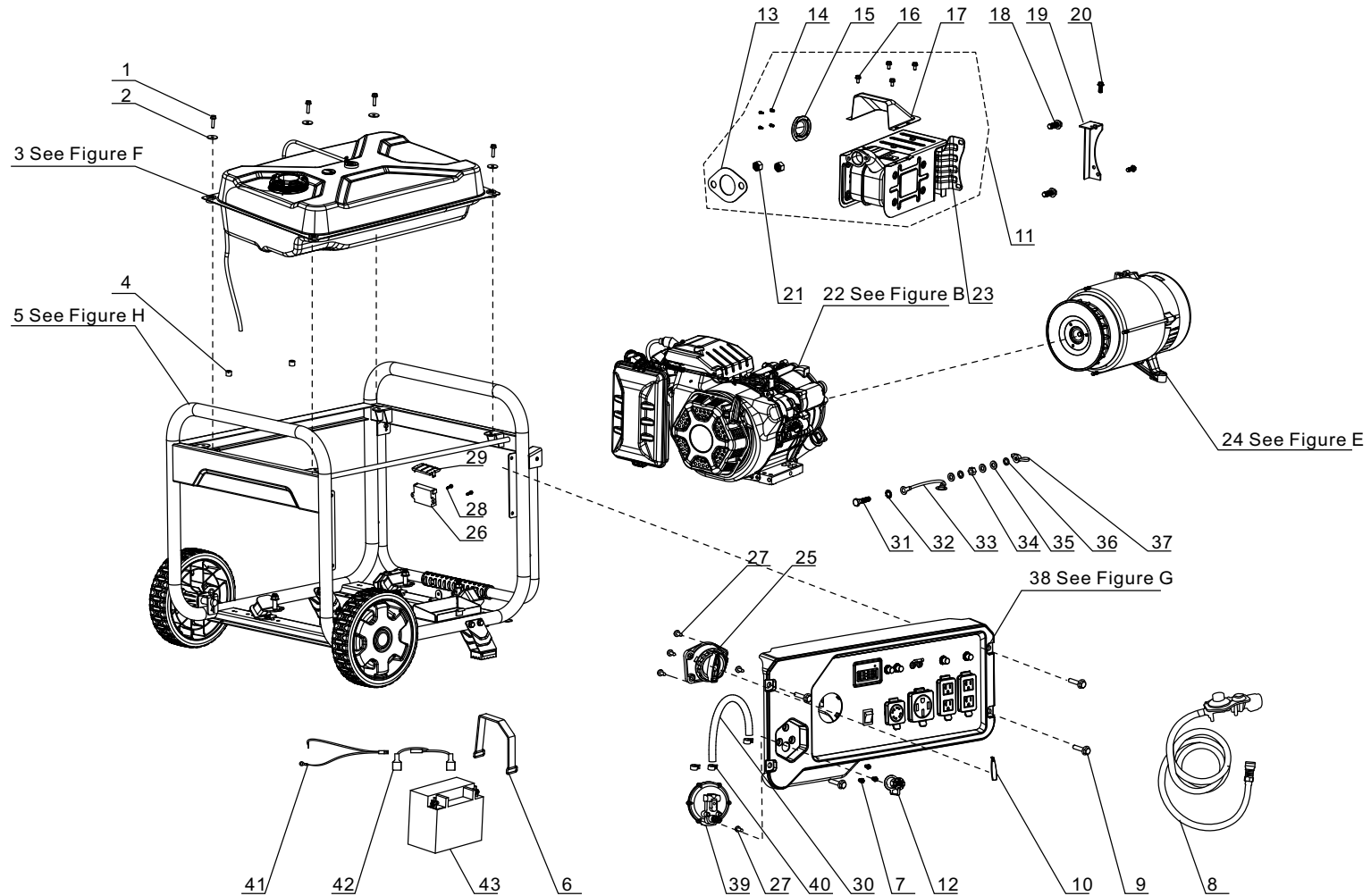


Figure A

**GENERATOR PARTS LIST**

#	Part Number	Description	Qty.
1	90007-000024	M6 x 25 Hex Flange Bolt, Blk Zn	4
2	90408-000008	Flat Washer, Ø6, Blk Zn	4
3	96104-Y16620-0027	Fuel Tank Assy - See Figure F	1
4	90698-000002	Protective Rubber Sleeve	2
5	96103-Y51100-0035	Frame Assy - See Figure H	1
6	31115-000002	Battery Strap, 220×20×3.5	1
7	90134-000001	M5 x 12 Cross Hex Pan Head Bolt, Blk Zn	3
8	77300-000003	LPG Hose With Regulator	1
9	90007-000012	M6 x 16 Hex Flange Bolt, Blk Zn	4
10	82007-000005	Decorative Cover, PMS 109C	1
11	96003-Y18100-0014	Muffler Assy	1
12	16287-000001	Dust Cap	1
13	18101-000005	Muffler Outlet Gasket	1
14	90139-000001	M5 x 10 Hex Bolt, Blk Zn	4
15	18250-000005	Spark Arrestor	1
16	90007-000008	M6 x 12 Hex Flange Bolt, Blk Zn	4
17	80019-000002	Guide Hood, Muffler	1
18	90001-000041	M8 x 16 Hex Flange Bolt, Blk Zn	2
19	18030-000007	Muffler Support White Zn	1
20	90001-000040	M8 x 16 Hex Flange Bolt, White Zn	2
21	90303-000004	M8 Hex Nut, Blk Zn	2
22	96100-500DNV00-01	Engine - See Figure B	1
23	18100-000015	Muffler	1
24	96003-Y31300-0004	Alternator Assy - See Figure E	1
25	16750-000027	Fuel Valve Assy	1
26	35720-000001	CO Alarm	1
27	90124-000003	Self Tapping Screw, PT5×16	4
28	90103-000013	M5 x 16 Screw, White Zn	2
29	30351-000002	Cover, CO Alarm	1
30	90729-000005	Vent Hose, Ø9.5×Ø16.8×250	1

#	Part Number	Description	Qty.
31	90001-000027	M6 x 25 Hex Flange Bolt, Blk Zn	1
32	90415-000001	Toothed Lock Washer, Blk Zn	1
33	30009-000024	Grounding Wire	1
34	90303-000003	M6 Hex Nut, Blk Zn	1
35	90408-000006	Flat Washer, Blk Zn	3
36	90403-000003	Spring Washer, Blk Zn	2
37	90312-000001	M6 Wing Nut, Blk Zn	1
38	35610-000182	Control Panel Assy - See Figure G	1
39	77100-000003	Pressure Reducing Valve	1
40	90748-000002	Clamp, Ø10-16	3
41	31114-000007	DC Wire Harness, Engine	1
42	31112-000015	DC Wire Harness, Barttery	1
43	31110-000004	Battery, 12V/14Ah	1

# ENGINE PARTS DIAGRAM

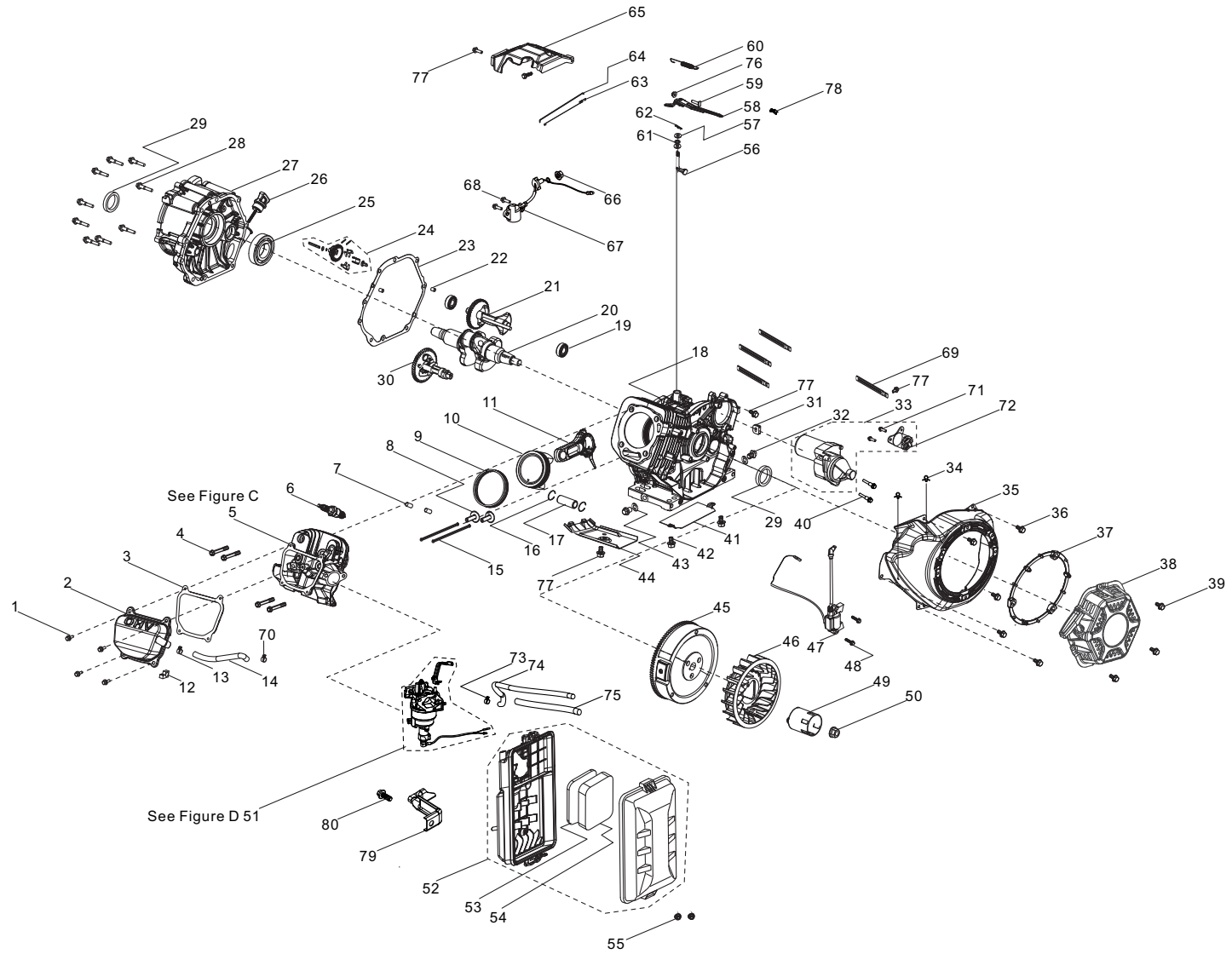


Figure B

**ENGINE PARTS LIST**

#	Part Number	Description	Qty.
1	90001-000018	M6 x 12 Hex Flange Bolt, White Zn	4
2	12410-000002	Cylinder Head Cover, White Zn	1
3	12004-000006	Cylinder Head Cover Gasket	1
4	12003-000006	M10 x 85 Cylinder Head Bolt, White Zn	4
5	96003-Z12140-0025	Cylinder Head - See Figure C	1
6	30010-000006	Spark Plug, F7RTJC	1
7	90502-000008	Pin, Ø12 x 20	2
8	14081-000003	Valve Tappet	2
9	13200-000001	Piston Ring Assy	1
10	13111-000002	Piston	1
11	13010-000002	Connecting Rod	1
12	90804-000001	Stop Block	1
13	90685-000016	Clamp, Ø17 x 1.4, White Zn	1
14	17004-000008	Breather Tube, Ø12 x Ø16 x 108	1
15	14070-000001	Valve Lifter	2
16	13122-000002	Piston Pin Clip	2
17	13121-000005	Piston Pin	1
18	11310-000002	Crankcase Assy	1
19	90548-000001	Bearing, 6202	2
20	13300-000037	Crankshaft Assy	1
21	13401-000001	Balancing Shaft	1
22	90502-000002	Pin, Ø8 x 12	2
23	11001-000012	Crankcase Gasket	1
24	16400-000004	Governor Gear Assy	1
25	90547-000014	Bearing, 6208	1
26	15010-000009	Oil Dipstick, PMS 109C	1
27	11411-000002	Crankcase Cover	1
28	90001-000050	M8 x 40 Hex Flange Bolt, Blk Zn	9
29	90682-000005	Oil Seal, Ø52 x Ø40 x 9	2
30	14200-000001	Camshaft Assy	1

#	Part Number	Description	Qty.
31	28101-000001	Rubber Plug	1
32	11007-000003	M12 x 18 Drain Plug Bolt, White Zn	2
33	09100-000002	Starter Motor	1
34	90685-000017	Clamp	2
35	28110-000026	Engine Fan Cover	1
36	90001-000019	M6 x 12 Hex Flange Bolt, Blk Zn	5
37	28261-000004	Retainer Ring, Recoil Starter	1
38	28200-000023	Recoil Starter Assy	1
39	90001-000025	M6 x 20 Hex Flange Bolt, Blk Zn	3
40	90001-000049	M8 x 35 Hex Flange Bolt, White Zn	2
41	19306-000001	Air Deflector, Crankcase, White Zn	1
42	90001-000016	M6 x 10 Hex Flange Bolt, White Zn	2
43	90412-000003	Washer, Ø21 x Ø12 x 2	2
44	19304-000004	Cylinder Body Shroud	1
45	13510-000026	Flywheel Assy	1
46	19352-000007	Engine Cooling Fan	1
47	30400-000004	Ignition Coil	1
48	90001-000028	M6 x 28 Hex Flange Bolt, White Zn	2
49	28002-000003	Starter Pulley, White Zn	1
50	13501-000002	M16 x 1.5 Flywheel Nut, White Zn	1
51	96003-Z16100-0012	Carburetor Assy - See Figure D	1
52	17100-000007	Air Cleaner Assy	1
53	17151-000001	Element 1, Air Cleaner	1
54	17151-000002	Element 2, Air Cleaner	1
55	90305-000007	M6 Hex Flange Nut, White Zn	2
56	16061-000003	Governor Arm	1
57	90412-000004	Washer, Ø8.4 x Ø19.5 x 0.8	2
58	16070-000004	Governor Support Assy, White Zn	1
59	16072-000003	Governor Support Bolt, M6 x 24, White Zn	1

#	Part Number	Description	Qty.
60	16063-000025	Governor Spring, Ø10.2 x Ø1.8 x 141, White Zn	1
61	90682-000007	Oil Seal, Ø14 x Ø8 x 4	1
62	90501-000005	Pin, White Zn	1
63	16012-000003	Throttle Valve Returning Spring	1
64	16062-000006	Governor Rod, White Zn	1
65	16520-000007	Air Guide, Engine Fan, White Zn	1
66	90305-000014	M10 Hex Flange Nut, White Zn	1
67	37060-000006	Oil Sensor	1
68	90001-000022	M6 x 16 Hex Flange Bolt, White Zn	2
69	90684-000001	Clip, Ø6 x 10.6 x 130	4
70	90685-000014	Clamp, Ø16 x 1.6	1
71	90001-000007	M5 x 16 Hex Flange Bolt, White Zn	2
72	30500-000001	Starter Relay	1
73	90748-000002	Clamp, Ø10~Ø16	1
74	90729-000010	Vent Hose, Ø9.5×Ø16.8×460	1
75	30431-000021	Rubber Sleeve, Ø19.5×Ø18×65	1
76	90305-000005	M6 Hex Flange Nut, Blk Zn	1
77	90001-000018	M6 x 12 Hex Flange Bolt, White Zn	5
78	16011-000001	Clip, Throttle Valve	1
79	17003-000009	Air Cleaner Support, White Zn	1
80	90001-000019	M6 x 12 Hex Flange Bolt, Blk Zn	1

# CYLINDER HEAD PARTS DIAGRAM

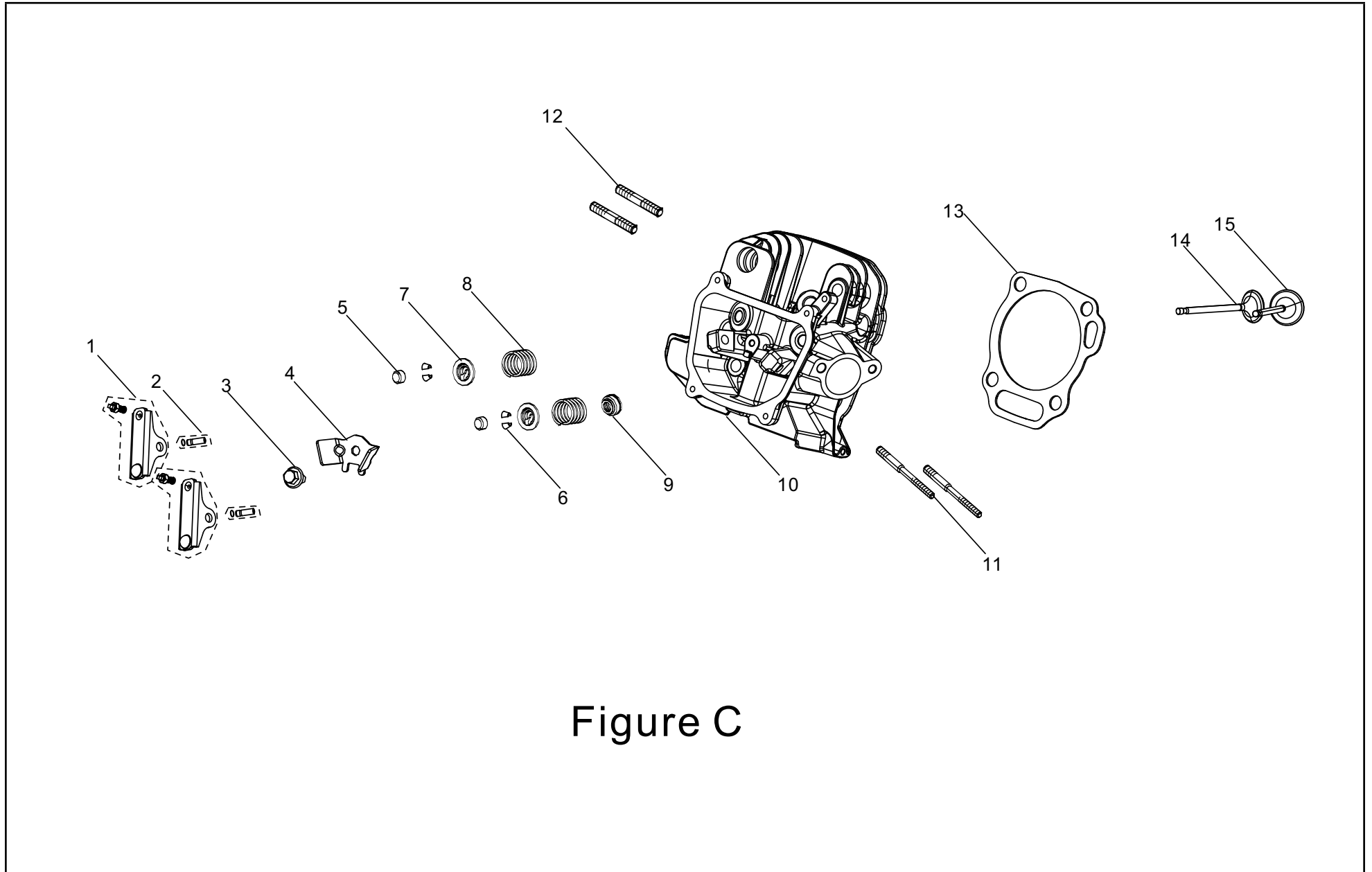


Figure C



**CYLINDER HEAD PARTS LIST**

#	Part Number	Description	Qty.
1	14310-000001	Valve Rocker Arm	2
2	14318-000005	Rocker Arm Shaft Assy	2
3	90001-000018	M6 x 12 Hex Flange Bolt, White Zn	1
4	12419-000002	Pin Limit Plate, Cylinder Head Cover	1
5	12104-000001	Lash Cap, Valve	2
6	12109-000001	Valve Lock Clamp, Ø5.5×Ø9	4
7	12112-000002	Valve Spring Retainer	2
8	12103-000009	Valve Spring	2
9	12101-000001	Valve Seal Guide	1
10	12140-000037	Cylinder Head	1
11	90204-000011	Stud, M6/M8 x 110, Blk Zn	2
12	90203-000001	Stud, M8 x 34, Blk Zn	2
13	12131-000001	Cylinder Head Gasket	1
14	12121-000001	Exhaust Valve	1
15	12111-000001	Intake Valve	1

# CARBURETOR PARTS DIAGRAM

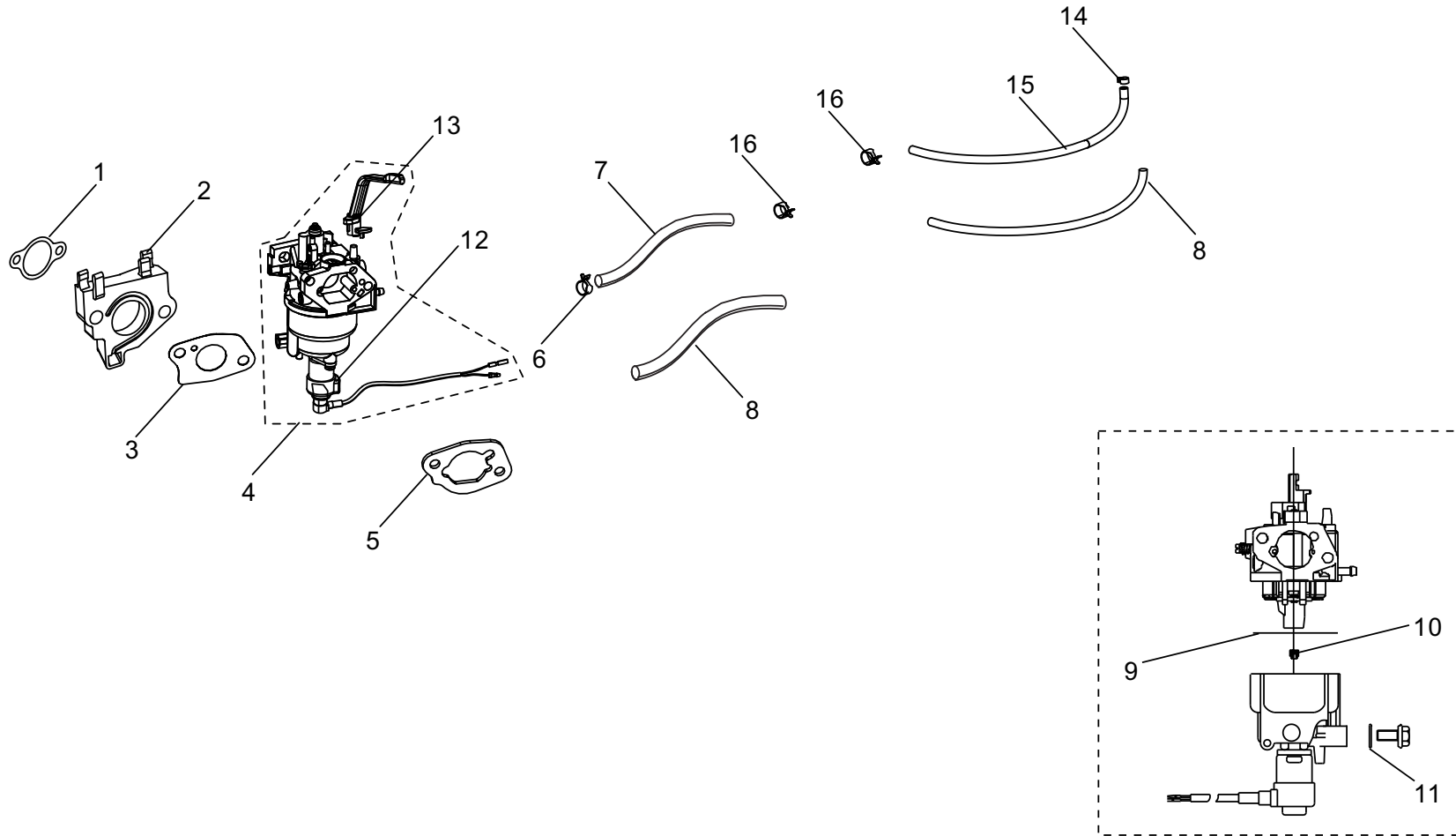


Figure D

**CARBURETOR PARTS LIST**

#	Part Number	Description	Qty.
1	17002-000002	Inlet Gasket	1
2	16003-000003	Carburetor Insulator Plate	1
3	16001-000003	Carburetor Gasket	1
4	16100-000027	Carburetor Assy	1
5	17001-000006	Air Cleaner Gasket	1
6	90685-000002	Clamp, Ø9 x 0.8 x 8, Dacromet	1
7	90686-000042	Fuel Tube, Ø4 x Ø10 x 490	1
8	30431-000019	Rubber Sleeve, Ø13 x Ø11.5 x 180	2
9	16112-000003	Seal Ring, Float	1
10	16161-000048	Main Jet(112#), Standard	1
	16161-000045	Main Jet(110#), Altitude 3000-6000 Feet	/
	16161-000078	Main Jet(108#), Altitude 6000-8000 Feet	/
11	90681-000007	Seal Ring	1
12	16108-000002	Magnetic Valve	1
13	16120-000001	Choke Lever	1
14	90685-000010	Clamp, Ø10.5 x 8 x 0.8, Dacromet	1
15	90686-000017	Fuel Tube, Ø4 x Ø10 x 305	1
16	90685-000007	Clamp, Ø9.5 x 8 x 0.8, Dacromet	2

# ALTERNATOR PARTS DIAGRAM

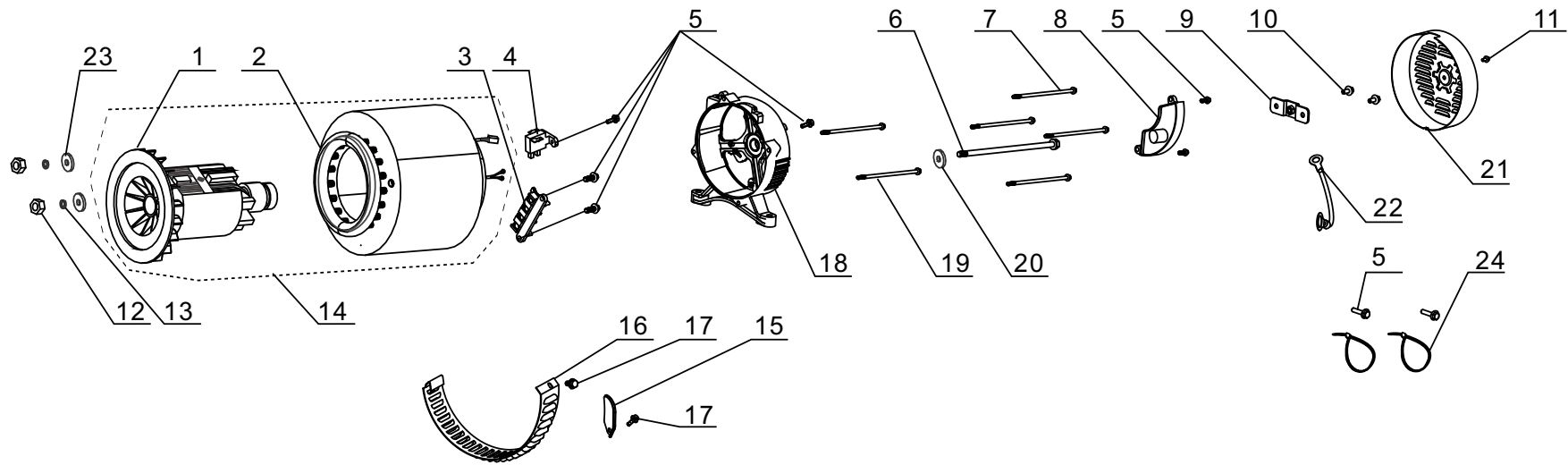


Figure E

**ALTERNATOR PARTS LIST**

#	Part Number	Description	Qty.
1	31330-000002	Rotor, AL, Ø204 x 158	1
2	31310-000003	Stator, AL, Ø204 x 158	1
3	31303-000002	Terminal Block	1
4	31320-000002	Carbon Brush Assy	1
5	90001-000007	M5 x 16 Hex Flange Bolt, White Zn	8
6	30049-000004	M10 x1.25 x 285, Rotor Bolt, White Zn	1
7	30048-000004	M6 x 199, Stator Bolt, White Zn	4
8	30060-000012	AVR	1
9	51124-000010	Mounting Bracket, White Zn	1
10	90007-000003	M5 x 12 Hex Flange Bolt, Blk Zn	2
11	90001-000019	M6 x 12 Hex Flange Bolt, Blk Zn	1
12	90303-000001	M5 Stator Nut, Blk Zn	2
13	90403-000002	Spring Washer, Blk Zn	2
14	31300-000010	Alternator Assy, AL, Ø204 x 158	1
15	30023-000005	Alternator Vent Stopper	1
16	30024-000003	Alternator Vent	1
17	90001-000001	M5 x 10 Hex Flange Bolt, White Zn	2
18	30021-000005	End Housing	1
19	31316-000002	M5 x 232 Stator Bolt	2
20	90408-000011	Flat Washer, Ø10.4 × Ø30 × 4, White Zn	1
21	30022-000009	End Housing Cover	1
22	30009-000014	Grounding Wire	1
23	90408-000003	Flat Washer, White Zn	2
24	90727-000001	Band, 4×200	2

# FUEL TANK PARTS DIAGRAM

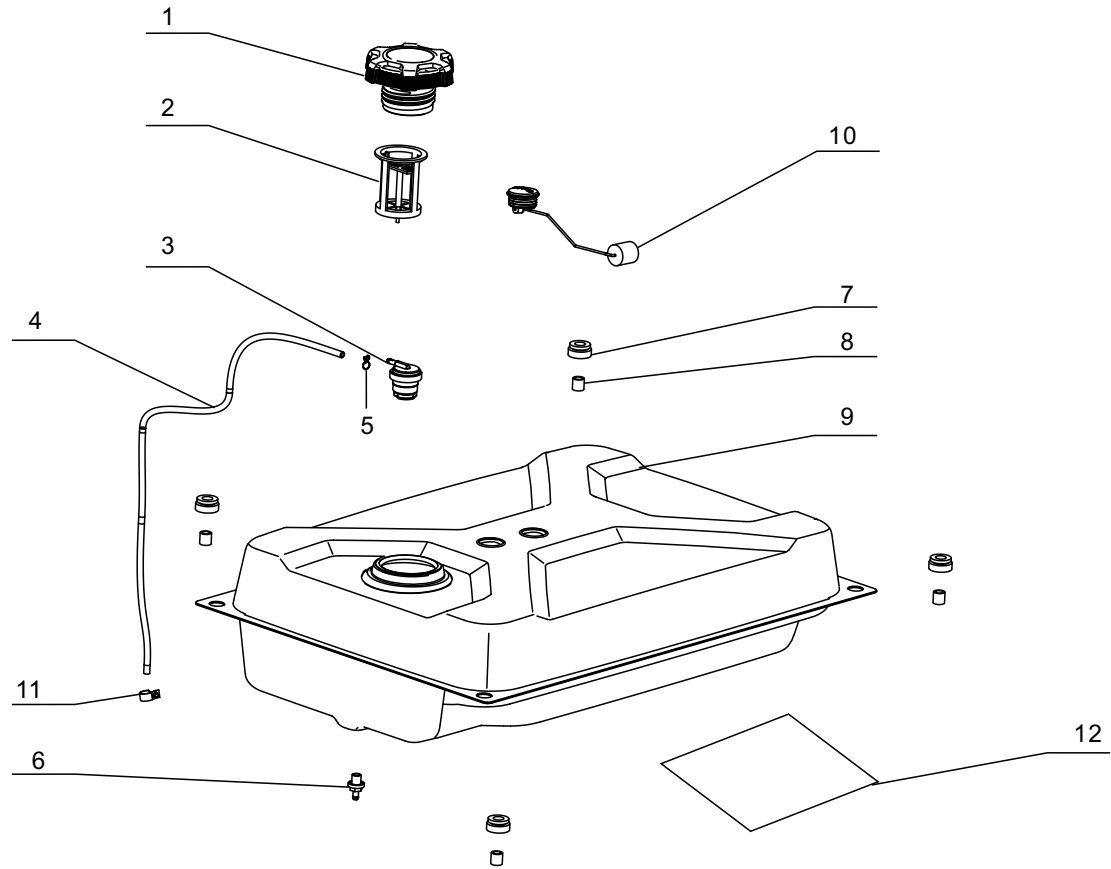


Figure F

**FUEL TANK PARTS LIST**

#	Part Number	Description	Qty.
1	16730-000010	Fuel Tank Cap	1
2	16652-000009	Fuel Filter	1
3	15150-000003	One Way Valve	1
4	16804-000027	Connection Tube, Ø4.5 x Ø8.5 x 845	1
5	90740-000005	Clamp, Ø9	1
6	16680-000002	Fitting, Fuel Tank Drain	1
7	16601-000001	Vibration Mount 1, Ø12.5 x 16, Fuel Tank	4
8	90683-000001	Bushing, White Zinc	4
9	16620-000017	Fuel Tank, 29.1L, RT2910A	1
10	37200-000010	Fuel Gauge	1
11	90685-000010	Clamp, Ø10.5 x 0.8 x 8, Dacromet	1
12	82153-000004	Scald Resistant Film	1

# CONTROL PANEL PARTS DIAGRAM

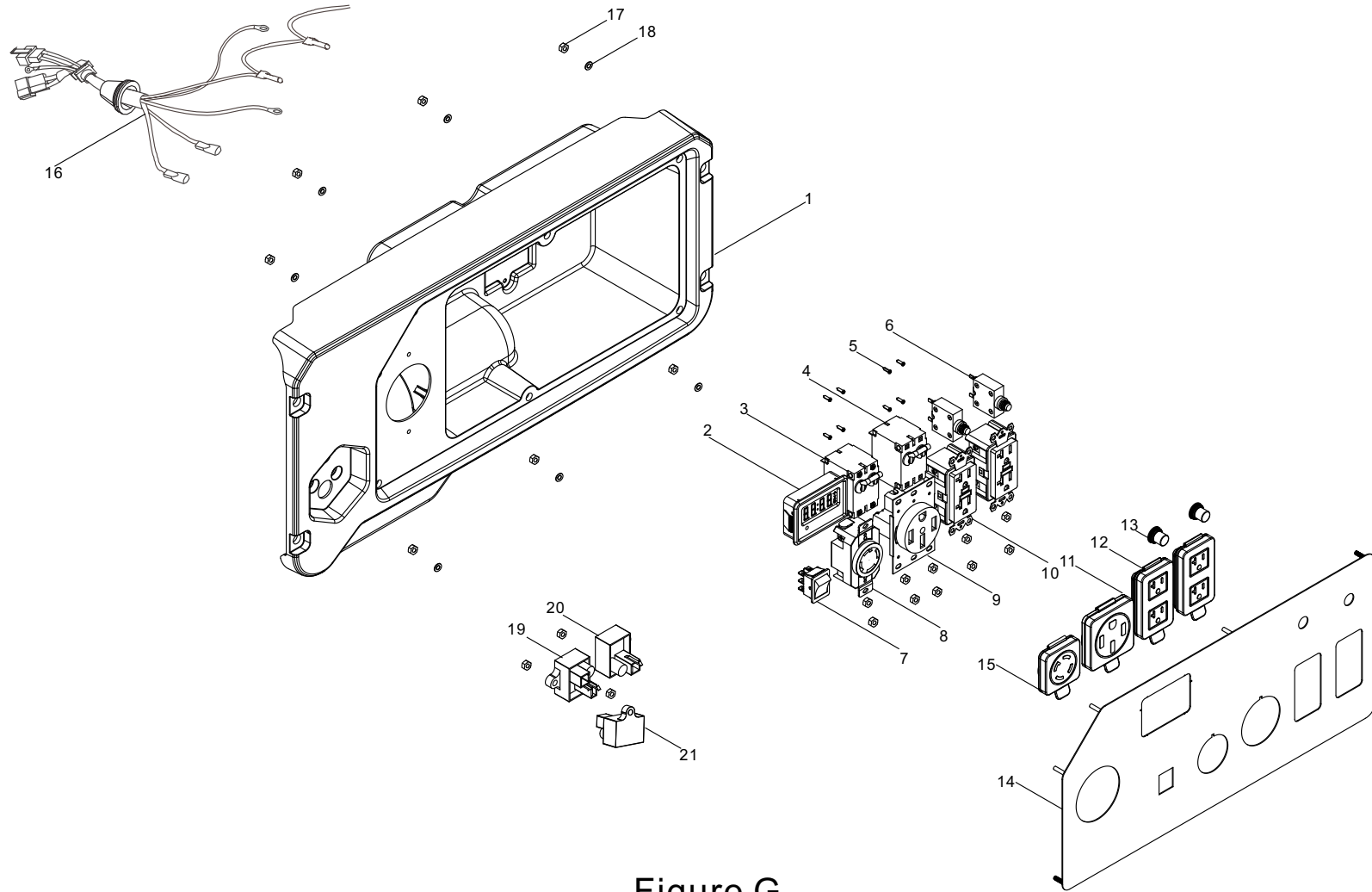


Figure G



**CONTROL PANEL PARTS LIST**

#	Part Number	Description	Qty.
1	35680-000034	Control Panel Housing	1
2	35632-000006	Intelligauge, INT1AOF	1
3	35627-000001	30Amp Circuit Breaker,2P Flip, 250V	1
4	35627-000003	39.5Amp Circuit Breaker,2P Flip, 250V	1
5	90103-000017	M3 x 6 Screw, Blk Zn	8
6	31234-000003	20Amp Circuit Breaker, Push Button, 125/250V	2
7	35160-000011	Engine Switch	1
8	35614-000004	L14-30R Receptacle, 30A, 125V/250V	1
9	35614-000012	L14-50R Receptacle, 50A, 125V/250V	1
10	35614-000018	5-20R GFCI Receptacle, 20A, 125V/125V	2
11	35654-000012	Receptacle Cover, 14-20R	1
12	35654-000013	Receptacle Cover, 5-20R	2
13	35654-000005	Receptacle Cover	2
14	35650-000069	Control Panel	1
15	35654-000010	Receptacle Cover, L14-30R	1
16	35660-000077	Wire Harness, Control Panel	1
17	90305-000016	M4 Hex Flange Nut, White Zn	20
18	90408-000029	Flat Washer, Ø4 x Ø12 x 0.7, Blk Zn	7
19	30008-000004	Control Module, EV10	1
20	30008-000003	Control Module, OV0402	1
21	30007-000002	Charging Module, EC0803	1

# FRAME ASSEMBLY PARTS DIAGRAM

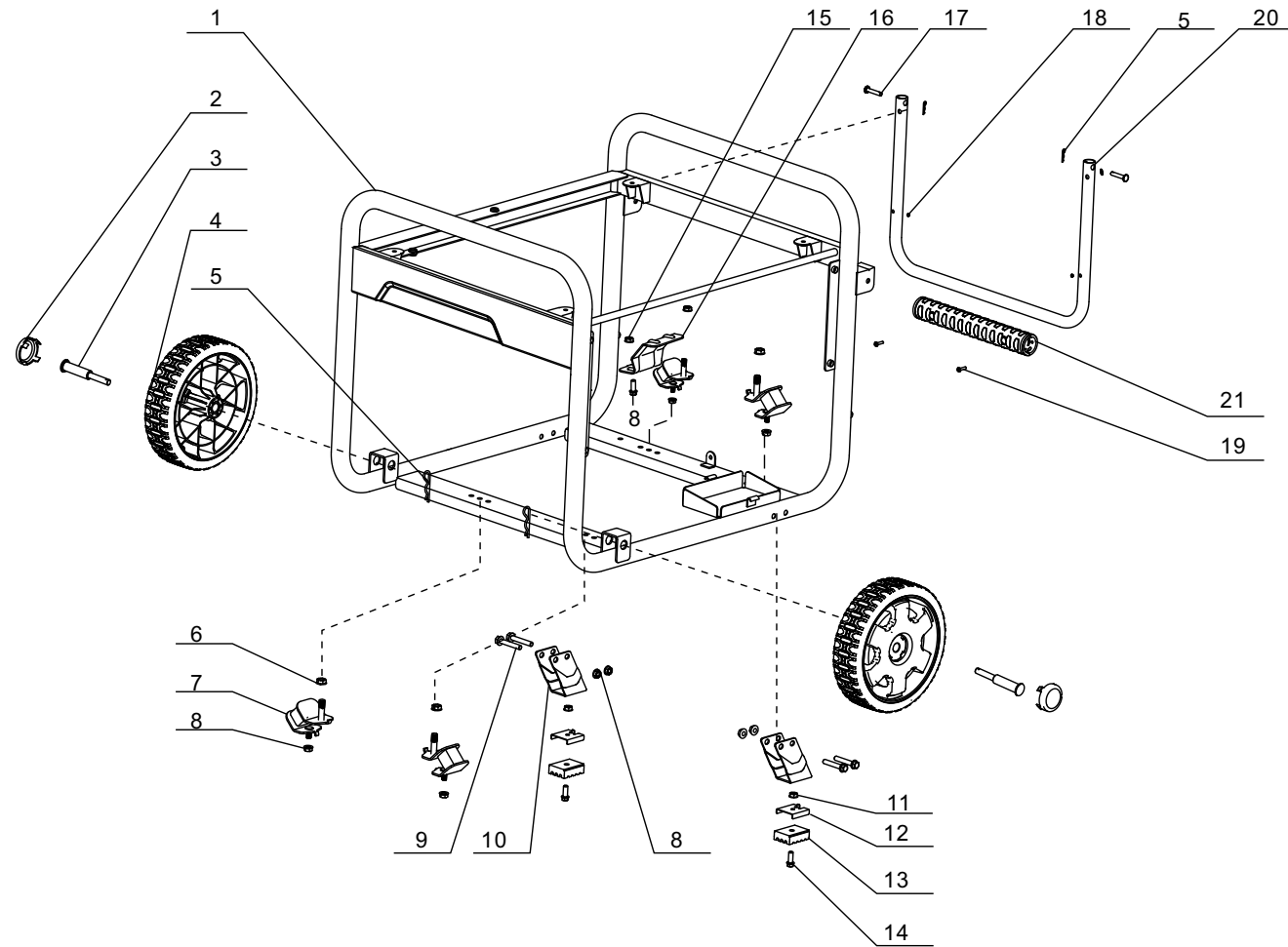


Figure H

**FRAME ASSEMBLY PARTS LIST**

#	Part Number	Description	Qty.
1	51100-000076	Frame Assy	1
2	44001-000003	Decorated Hub Cap, PMS 109C	2
3	44020-000011	Roll Pin, Ø16 x 103.5, Blk Zn	2
4	44110-000008	Wheel, 9.5 in, PMS 109C	2
5	90583-000001	R-Clip, Ø2 x 38, Blk Zn	4
6	90306-000002	M10 Hex Flange Nut, Blk Zn	4
7	51012-000001	Vibration Mount 1, Frame	4
8	90305-000011	M8 Hex Flange Nut, Blk Zn	9
9	90001-000054	M8 x 50 Hex Flange Bolt, Blk Zn	4
10	51016-000011	Support Leg	2
11	90305-000008	M6 Hex Flange Nut, Blk Zn	2
12	24329-000008	Block 1	2
13	51014-000017	Vibration Seat, Frame	2
14	90001-000025	M6 x 20 Hex Flange Bolt, Blk Zn	2
15	90001-000041	M8 x 16 Hex Flange Bolt, Blk Zn	1
16	24329-000006	Heat Shield	1
17	90504-000002	Pin Shaft, Ø8 x 40, Blk Zn	2
18	90722-000006	End Plug	2
19	90103-000007	M4 x 16 Screw, Blk Zn	2
20	54110-000016	Handle, Ø25 x 1.2	1
21	54101-000006	Handle Sheath, PMS 109C	1

# WIRING DIAGRAM

