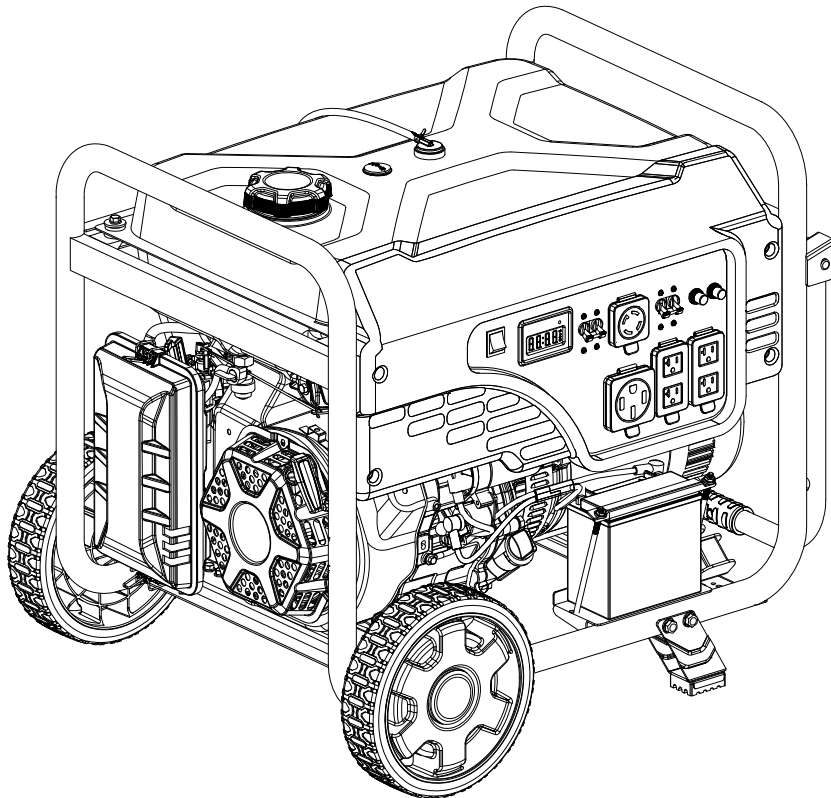




Champion Power Equipment, Inc.

MODEL #201494



PARTS INFORMATION

9200W ELECTRIC START GENERATOR

SERIAL NUMBER RANGE: ALL



To order replacement parts please visit:
shop.championpowerequipment.com
or call **1-877-338-0999**.

TABLE OF CONTENTS

Generator Parts Diagram	3
Generator Parts List	4
Engine Parts Diagram	5
Engine Parts List	6
Cylinder Head Parts Diagram	8
Cylinder Head Parts List	9
Carburetor Parts Diagram	10
Carburetor Parts List	11
Alternator Parts Diagram	12
Alternator Parts List	13
Fuel Tank Parts Diagram	14
Fuel Tank Parts List	15
Control Panel Parts Diagram	16
Control Panel Parts List	17
Frame Assembly Parts Diagram	18
Frame Assembly Parts List	19
Wiring Diagram	20

GENERATOR PARTS DIAGRAM

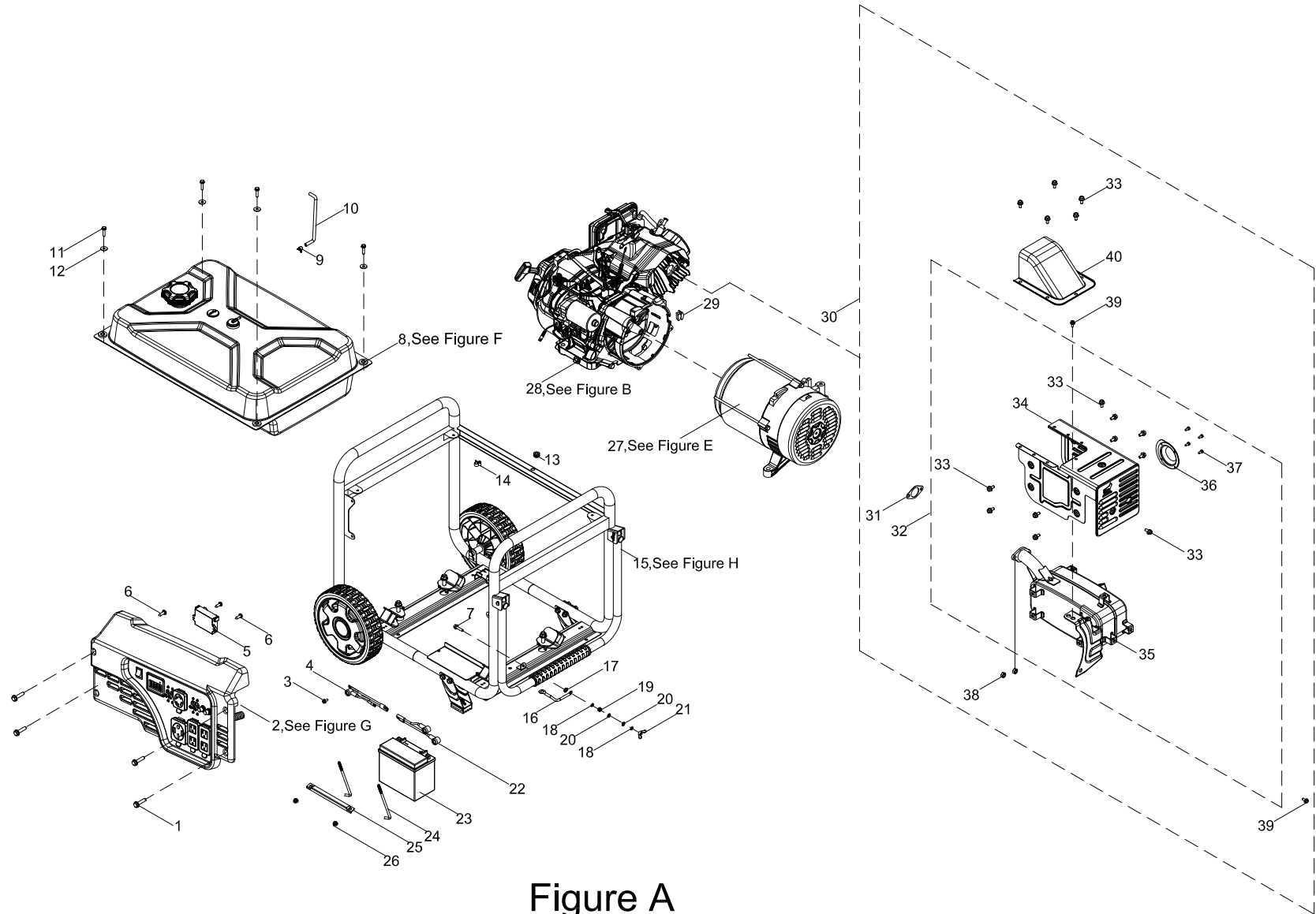


Figure A

GENERATOR PARTS LIST

#	Part Number	Description	Qty.
1	100011530-0002	M6 x 16 Flange Bolt	4
2	100807895	Panel Assembly, See Figure G	1
3	100011261-0004	M6 x 12 Flange Bolt, GB5789	1
4	100752662	DC Wire Harness, Engine	1
5	5.1830.022	CO Shutdown Module	1
6	100100457-0001	M4 x 16 Screw	3
7	100011269-0003	M6 x 28 Flange Bolt	1
8	100734896	Fuel Tank Assembly, See Figure F	1
9	100005148	Clamp , Ø8	1
10	100764317	Vent Tube	1
11	100011268-0002	M6 x 25 Flange Bolt	4
12	100010439-0001	Washer Ø6.5 x 2 x Ø25	4
13	100009075	Rubber Damper	1
14	100000667	Clamp Ø8 x 8	1
15	100808969	Frame Assembly, See Figure H	1
16	100746237	Grounding Wire	1
17	100128826-0001	Toothed Lock Washer Ø6	1
18	100010886-0004	Spring Washer Ø6	2
19	100011421-0003	M6 Flange Nut	1
20	100010920-0002	Flat Washer Ø6	2
21	100010828-0002	M6 Butterfly Type Nut	1
22	100752661	Battery Connecting Wire 2	1
23	100021409	Battery, 12V 14Ah	1
24	100021362-0003	Fixing Bolt, Battery	2
25	100021372-0017	Pressing Plate, Battery	1
26	100011452-0003	M6 Flange Lock Nut	2
27	100809341	Alternator Assembly, See Figure E	1
28	1ZC7DCV78	Engine, 459 cc	1
29	100018704	Rubber Plug	1
30	100733016	Muffler Assembly	1

#	Part Number	Description	Qty.
31	100735662	Exhaust Pipe Gasket	1
32	100724958	Exhaust Muffler Assembly	1
33	100097575-0001	M6 x 10 Flange Bolt	15
34	100714387	Muffler Guard	1
35	100714555	Muffler	1
36	100714398	Spark Arrester Assembly	1
37	100714381-0001	Self-tapping Screw ST4.8 x 10	4
38	100011422-0004	M8 Flange Nut	2
39	100011311-0005	M8 x 16 Flange Bolt	2
40	100163910-0001	Air Guide, Muffler	1

ENGINE PARTS DIAGRAM

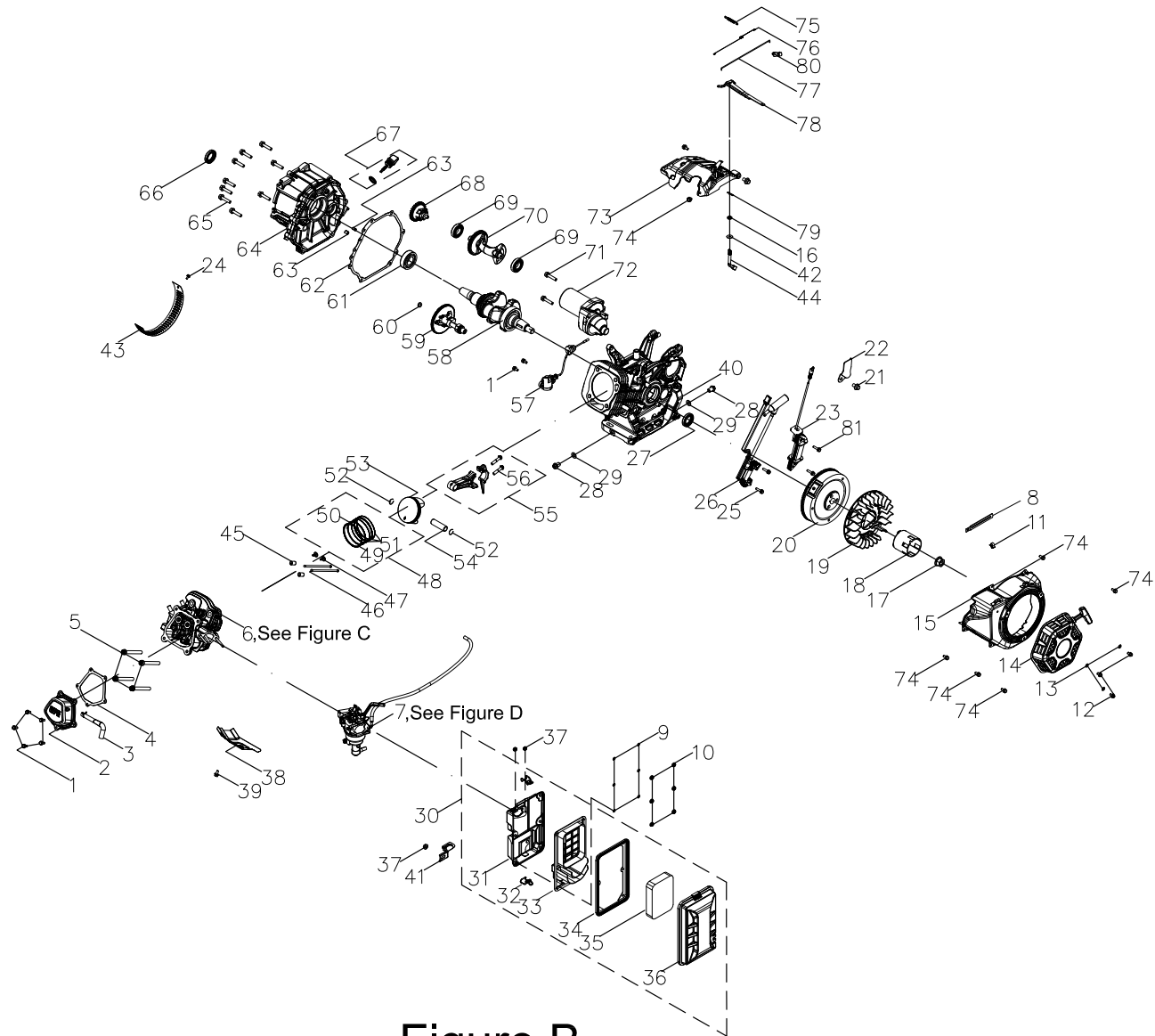


Figure B

ENGINE PARTS LIST

#	Part Number	Description	Qty.
1	100011264-0003	M6 x 16 Flange Bolt, GB5789	7
2	100002337	Cylinder Head Cover	1
3	100715570	Breather Tube	1
4	100055922	Cylinder Head Cover Gasket	1
5	100002470	M10 x 1.25 x 87 Flange Bolt	4
6	100727937	Cylinder Head Assembly- See Figure C	1
7	100733817	Carburetor Assembly- See Figure D	1
8	100000655	Wire Clip B	1
9	100010430	Washer Ø6 x 1 x Ø12	6
10	100011451-0003	M5 Flange Nut	6
11	100000667	Clamp Ø8 x 8	1
12	100011565-0002	M6 x 10 Flange Bolt, GB16674.1	3
13	100010920-0001	Washer Ø6	3
14	100715836-0001	Recoil Starter, Black	1
15	100716802-0001	Fan Cover, Yellow	1
16	100017631	Oil Seal Ø8 x Ø14 x 4	1
17	100011460-0001	M16 x 1.5 Flange Nut	1
18	100007562	Starter Pulley	1
19	100007043	Engine Cooling Fan	1
20	100097517	Flywheel	1
21	100011213-0001	M6 x 8 Flange Bolt	1
22	100009463	Pressing Plate	1
23	100752617	Ignition Coil	1
24	100011248-0003	M5 x 10 Flange Bolt	1
25	100011269-0003	M6 x 28 Bolt	2
26	100730943	Ignition Module	1
27	100017649	Oil Seal Ø35 x Ø52 x 7	1
28	100010275	Drain Bolt, M12 x 1.5 x 15	2
29	100010467	Washer Ø12 x 2 x Ø20	2
30	100712978	Air Filter Assembly	1

#	Part Number	Description	Qty.
31	100714346	Air Filter Base	1
32	100714345	Air Filter Clip	2
33	100714344	Air Filter Separator	1
34	100714343	Air Filter Cover Gasket	1
35	100713882	Air Filter Element	1
36	100714350	Air Filter Cover	1
37	100011452-0003	M6 Flange Lock Nut	3
38	100007097	Lower Air Guide	1
39	100011260-0005	M6 x 10 Flange Bolt	1
40	100711174-0001	Crankcase	1
41	100021032	Air Cleaner Support Bracket	1
42	100010518-0001	Washer Ø8 x0.8 x Ø20	1
43	100141250	Air Deflector	1
44	100007980	Governor Shaft	1
45	100010562	Dowel Pin Ø12 x 20	2
46	100149152	Push Rod	2
47	100149154	Valve Lifter	2
48	100003265	Piston Ring Set	1
49	100003168	1st Piston Ring	1
50	100003210	2nd Piston Ring	1
51	100003295	Oil Ring	1
52	100003225	Wrist Pin Circlip	2
53	100030224	Piston	1
54	100003132	Wrist Pin	1
55	100719493	Connecting Rod Assembly	1
56	100003432	Connecting Rod Bolt	2
57	100094024	Oil Level Sensor	1
58	100711963	Crankshaft	1
59	100711980	Camshaft	1
60	100010521-0001	Washer Ø16.2 x 0.3 x Ø24	1

#	Part Number	Description	Qty.
61	100010789	Bearing TM6207E - P64	1
62	100746648	Crankcase Cover Gasket	1
63	100010549	Dowel Pin Ø8 x 12	2
64	100712041	Crankcase Cover	1
65	100011323-0001	M8 x 38 Flange Bolt	9
66	100017653	Oil Seal Ø35 x Ø52 x 7, Spiral Grain	1
67	100004129-0008	Oil Dipstick Assembly	1
68	100008305	Governor Gear	1
69	100010742	Bearing 6202 - P63	2
70	100150211	Balance Shaft	1
71	100011320-0002	M8 x 35 Flange Bolt	2
72	100752622	Starter	1
73	100715161	Air Guide, Engine Fan	1
74	100011261-0004	M6 x 12 Flange Bolt, GB5789	8
75	100717724	Governor Spring	1
76	100007927	Throttle Return Spring	1
77	100090516	Governor Rod	1
78	100090515	Governor Arm	1
79	100007989	Governor Shaft Cotter	1
80	100090559	Clamp	1
81	100033038-0002	M6 x 32 Flange Bolt	2

CYLINDER HEAD PARTS DIAGRAM

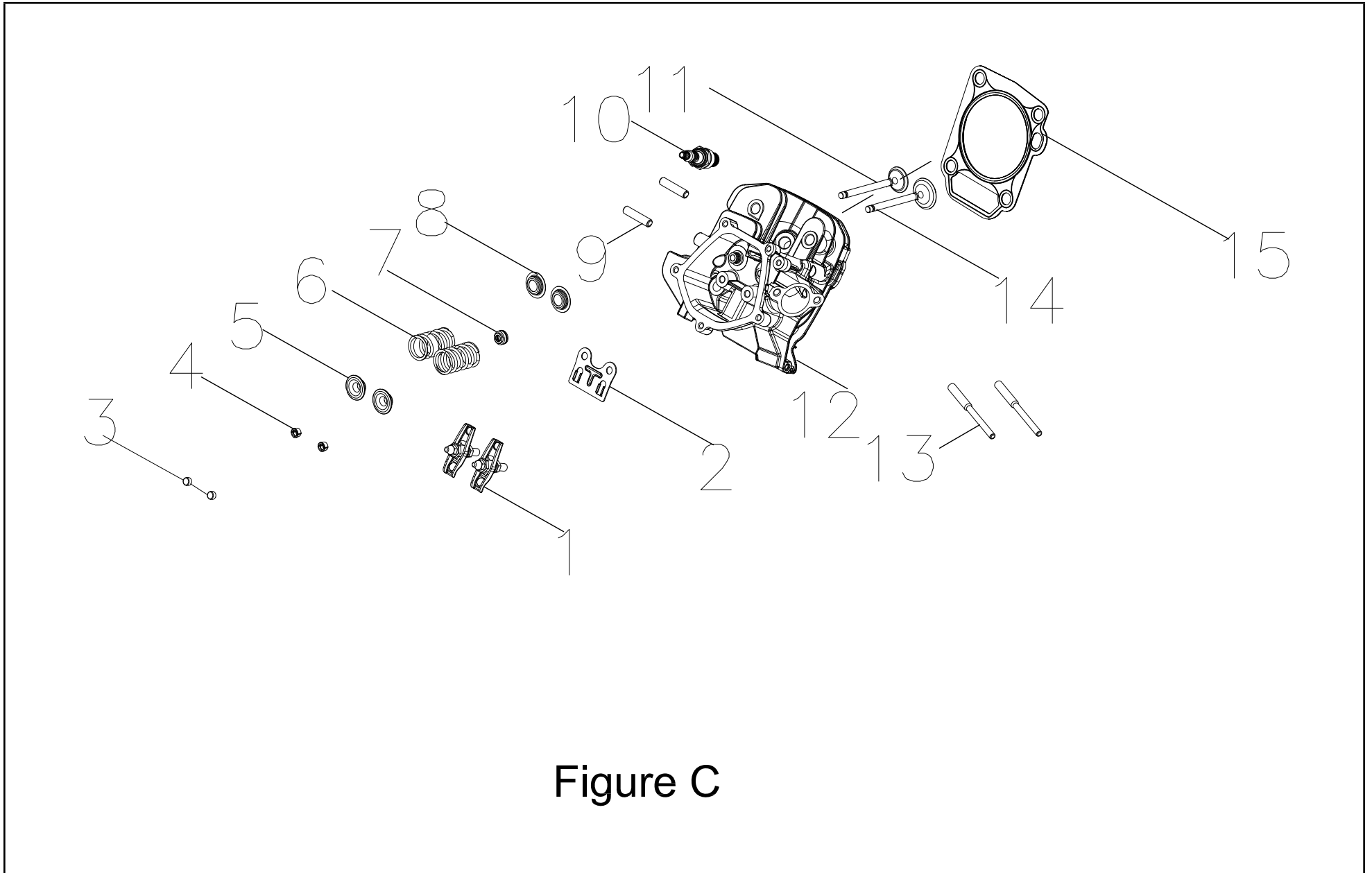


Figure C

CYLINDER HEAD PARTS LIST

#	Part Number	Description	Qty.
1	100149155	Rocker Arm Assembly	2
2	100748373	Guide Plate, Push Rod	1
3	100004589	Valve Retainer	2
4	100004576	Valve Collet	4
5	100004516	Valve Spring Seat, Upper	2
6	100067633	Valve Spring	2
7	100004602	Oil Seal, Intake Valve	1
8	100004575	Valve Spring Seat, Lower	2
9	100010389	M8 x 35 Stud Bolt	2
10	100009378	Spark Plug F6RTC	1
11	100719490	Exhaust Valve	1
12	100715291	Cylinder Head	1
13	100010364	M6-8 x 104 Stud Bolt	2
14	100719491	Intake Valve	1
15	100150209	Cylinder Head Gasket	1

CARBURETOR PARTS DIAGRAM

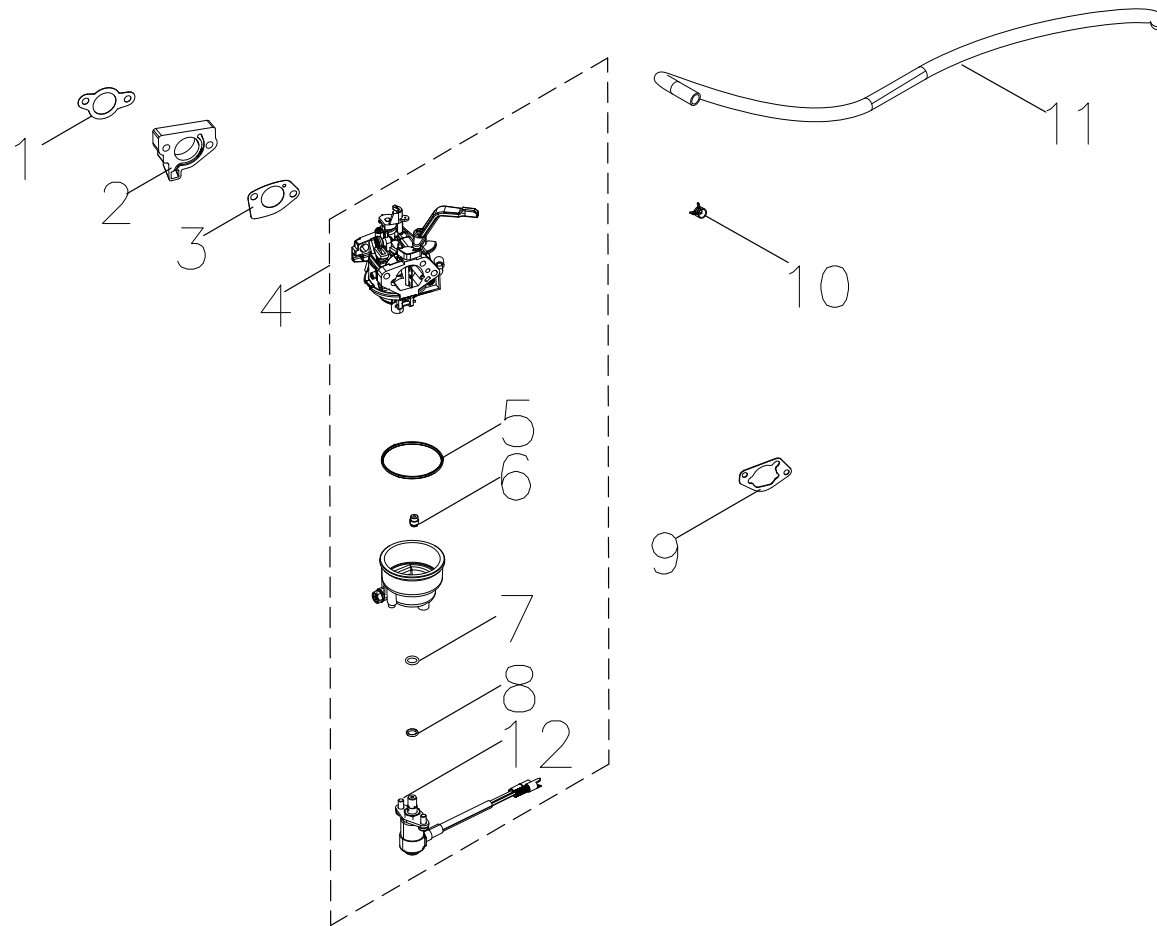


Figure D

CARBURETOR PARTS LIST

#	Part Number	Description	Qty.
1	100076230	Insulator Gasket	1
2	100005618	Carburetor Insulator	1
3	100076228	Carburetor Gasket	1
4	100725020	Carburetor	1
5	100005720	Fuel Bowl O-Ring	1
6	100073693	Main Jet Standard (114)	1
7	100125928	Main Jet Altitude 1000-3000m (112)	/
8	100130186	O-Ring, Solenoid Valve Base	1
9	100130185	O-Ring, Solenoid Valve	1
10	100076229	Air Filter Base Gasket	1
11	100005149	Clamp Ø7.5	1
12	100735843	Fuel Tube, Ø4 x Ø8 x 175	1
13	100718072	Solenoid Valve	1

ALTERNATOR PARTS DIAGRAM

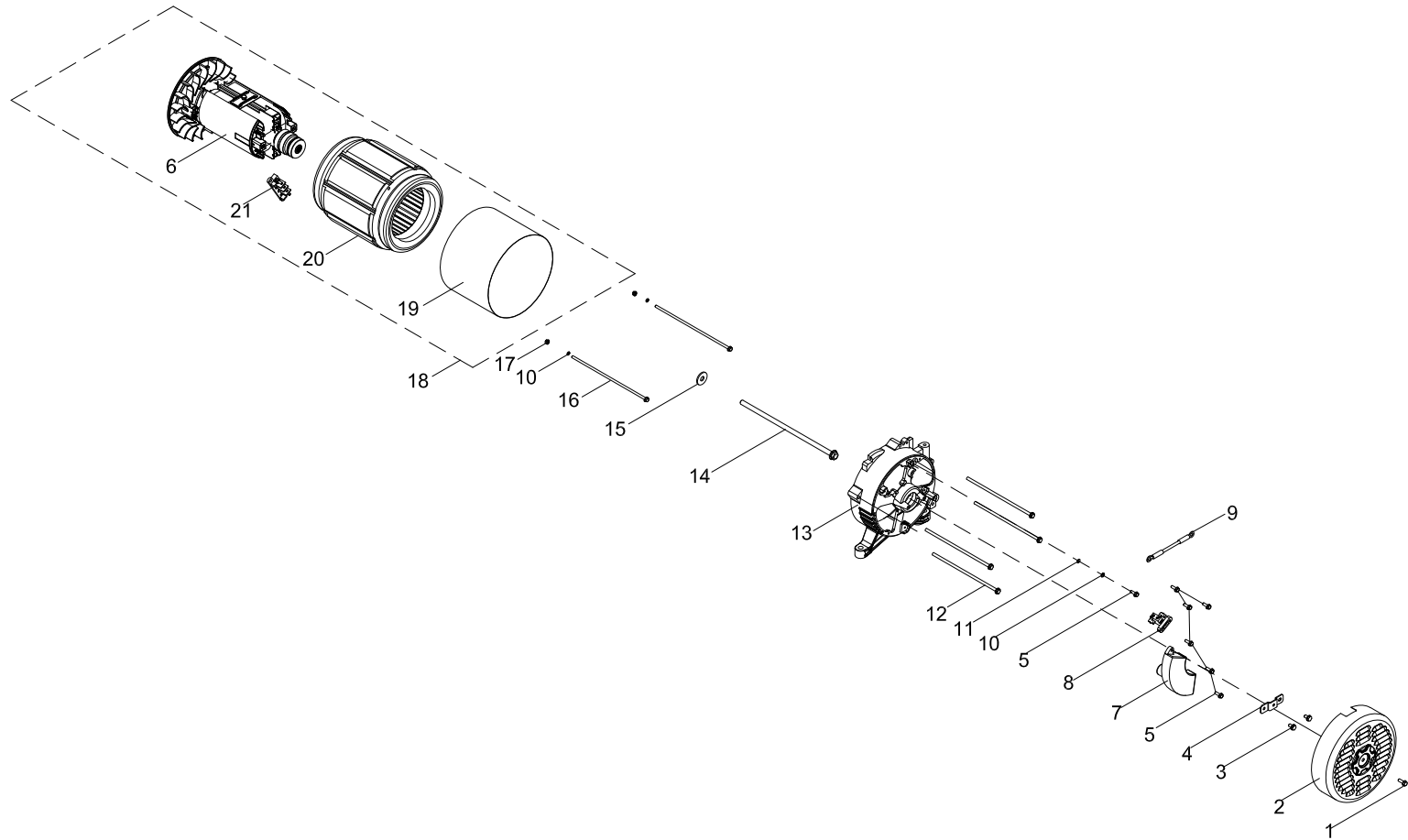


Figure E

ALTERNATOR PARTS LIST

#	Part Number	Description	Qty.
1	100011570-0007	M6 x 12 Big Flange Bolt	1
2	100018662-0001	Generator End Cover	1
3	100011250-0002	M5 x 14 Flange Bolt	2
4	100020167	End Cover Support	1
5	100011252-0001	M5 x 18 Flange Bolt	7
6	100759723	Rotor Assembly, Al	1
7	100749191	AVR	1
8	100018595	Carbon Brush Assembly	1
9	100746230	Grounding Wire 1	1
10	100010885-0004	Spring Washer Ø5	3
11	100010919-0002	Flat Washer Ø5	1
12	100011305-0001	M6 x 200 Flange Bolt	4
13	100725617	End Housing	1
14	100011400-0001	M10 x 1.25 x 285 Flange Bolt	1
15	100010905-0001	Washer Ø10	1
16	100733754	M5 x 235 Flange Bolt	2
17	100011419-0001	M5 Flange Nut	2
18	100753553	Alternator Assembly, Al	1
19	100758479	Stator Cover	1
20	100759722	Stator Assembly, Al	1
21	100018701	Terminal Block	1

FUEL TANK PARTS DIAGRAM

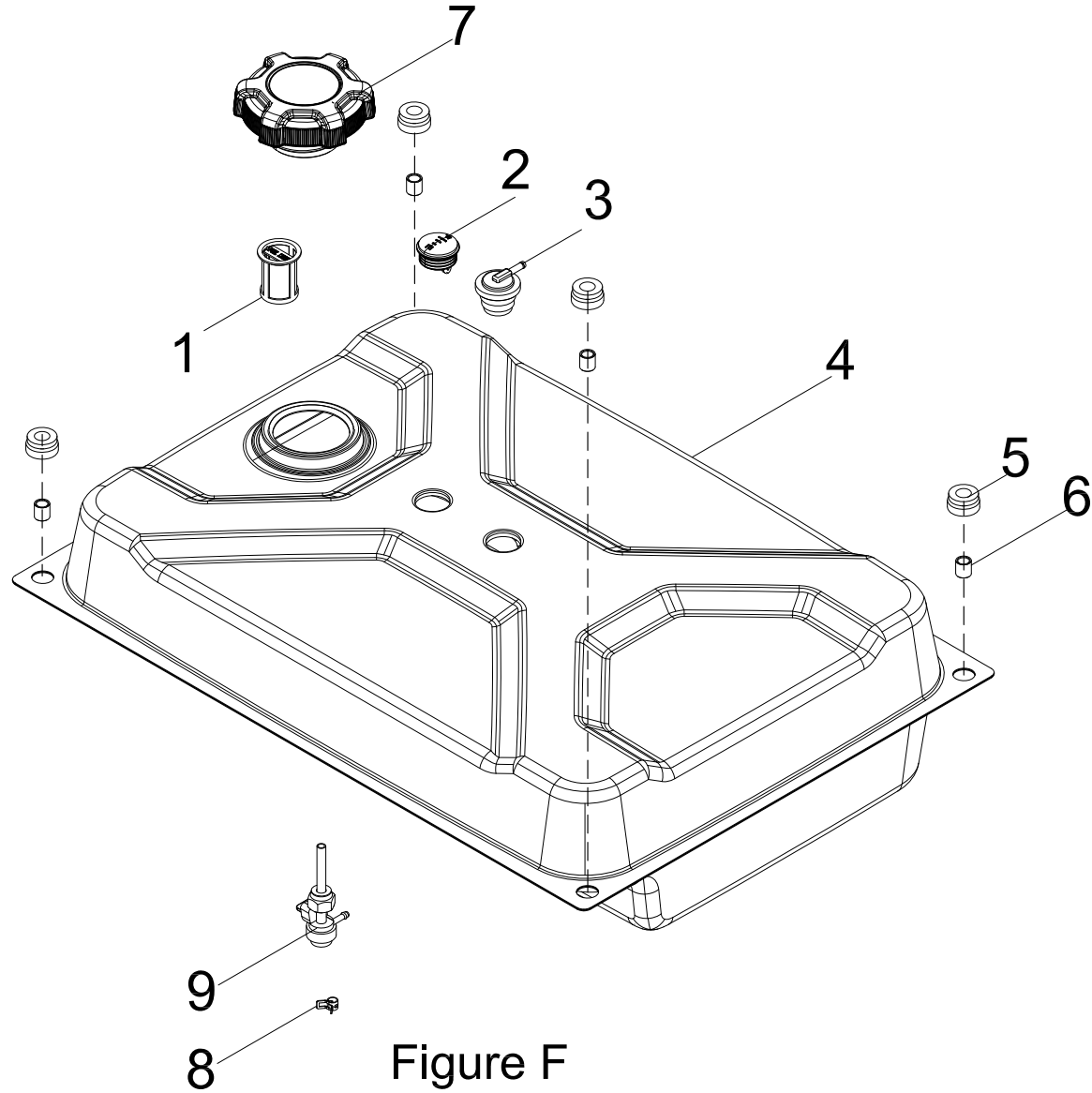


Figure F

FUEL TANK PARTS LIST

#	Part Number	Description	Qty.
1	100098838	Fuel Filter Assembly	1
2	100714393	Fuel Gauge	1
3	100720340	Reversal Valve	1
4	100724823-0001	Fuel Tank	1
5	100032369	Vibration Mounting, Fuel Tank	4
6	100021118	Bushing, Ø12 x Ø9 x 13	4
7	100142004	Fuel Tank Cap	1
8	100005149	Clamp 1, Ø7.5	1
9	100732004	Fuel Valve	1

CONTROL PANEL PARTS DIAGRAM

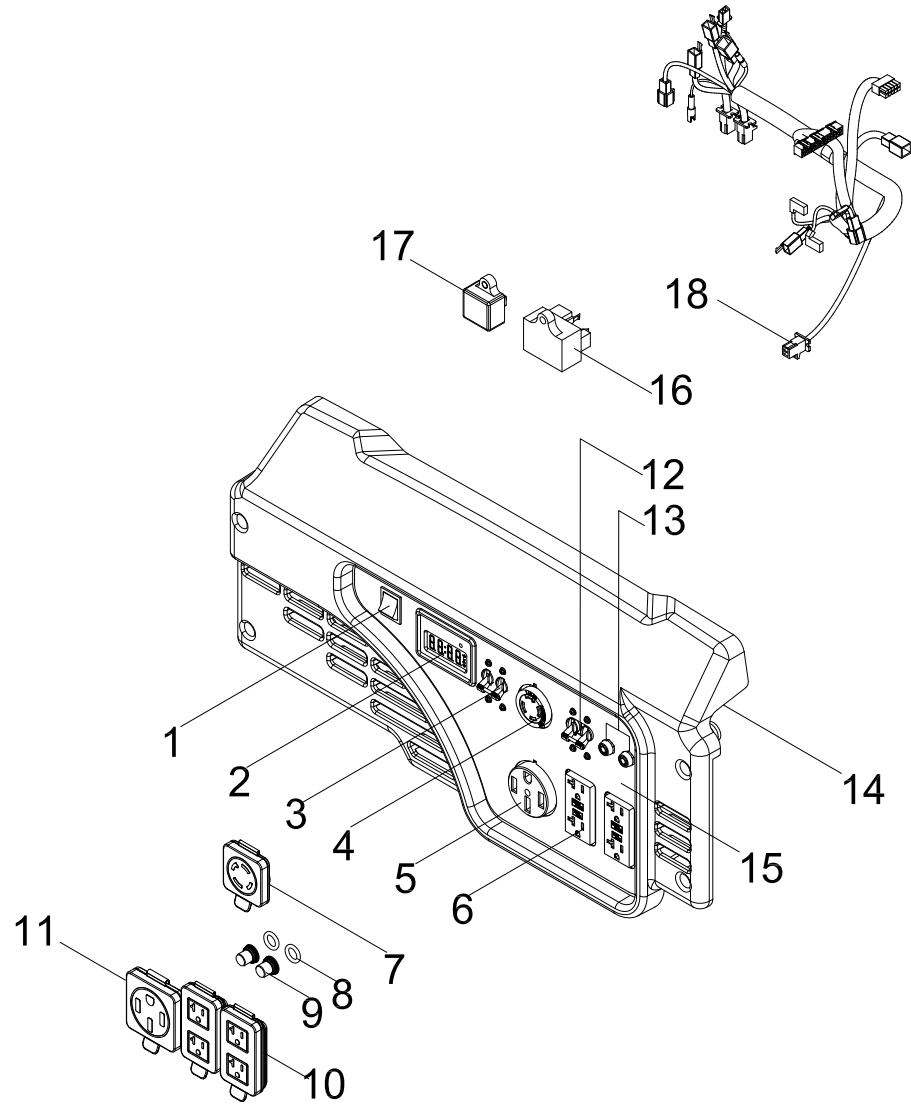


Figure G

CONTROL PANEL PARTS LIST

#	Part Number	Description	Qty.
1	100019771-0001	Switch	1
2	100730999	Intelligauge, INT10F	1
3	100019957	30 Amp Circuit Breaker, Flip Pole	1
4	100020023	Receptacle L14-30R	1
5	100087040	Receptacle 14-50R	1
6	100052461-0001	Receptacle GFCI 5-20R, Duplex	2
7	100731571	Receptacle Cover L14-30R	1
8	100031552	O-Ring	2
9	100120180	Breaker Cover	2
10	100731574	Receptacle Cover GFCI 5-20R, Duplex	2
11	100731570	Receptacle Cover 14-50R	1
12	100726114	38 Amp Circuit Breaker, Flip Pole	1
13	100019754	20 Amp Circuit Breaker, Push Button	2
14	100032110-0003	Control Panel Housing	1
15	100809262	Control Panel	1
16	100728386	Overvoltage Protector	1
17	100783059	Charger	1
18	100809261	Wire Harness Assembly	1

FRAME ASSEMBLY PARTS DIAGRAM

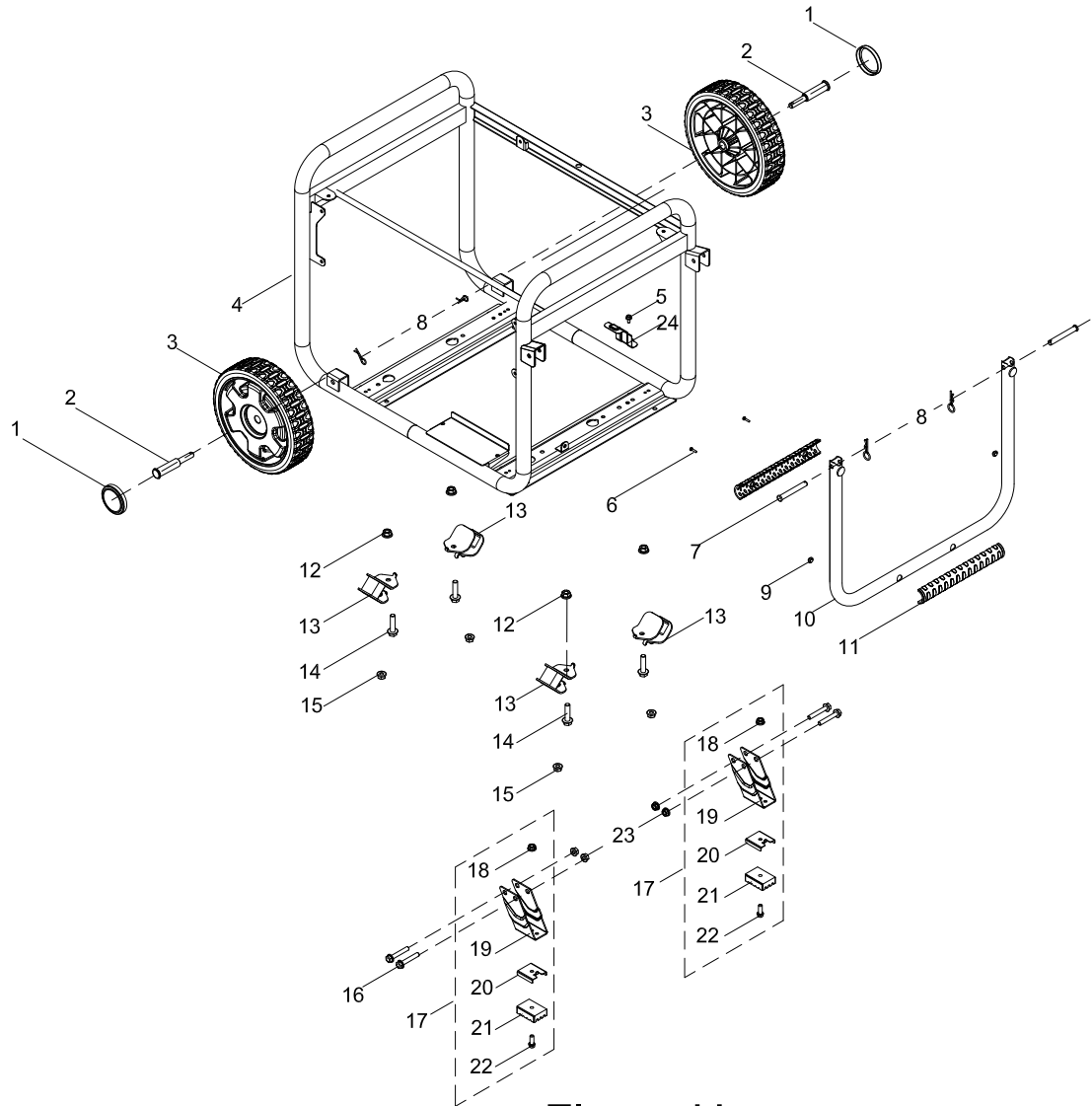


Figure H

FRAME ASSEMBLY PARTS LIST

#	Part Number	Description	Qty.
1	100712243-0001	Hubcap	2
2	100714025	Roll Pin Ø10	2
3	100163346-0001	9.5 In. Wheel	2
4	100788121-0001	Frame	1
5	100031967-0007	M6 x 16 Flange Bolt	1
6	100095857-0005	M4 x 18 Flange Bolt	2
7	100011047-0003	Roll Pin Ø8 x 40	2
8	100714685-0001	R-pin, R5	4
9	100078853	Damping Pad, Handle	2
10	100725488-0001	Handle	1
11	100711157	Handle Grip	1
12	100011456-0003	M10 x 1.25 Flange Nut	4
13	100068992	Vibration Mount 1	4
14	100011381-0002	M10 x 1.25 x 40 Flange Bolt	4
15	100011453-0003	M8 Flange Lock Nut	4
16	100011330-0001	M8 x 48 Flange Bolt	4
17	100163347-0001	Support Leg Assembly	2
18	100011452-0003	M6 Flange Lock Nut	2
19	100711874-0001	Support Leg	2
20	100068623-0001	Stop Block	2
21	100058956	Vibration Mount, Support Leg	2
22	100011266-0004	M6 x 20 Flange Bolt	2
23	100011453-0002	M8 Flange Nut, GB6177.1	4
24	100732431	Heat Shield	1

WIRING DIAGRAM

