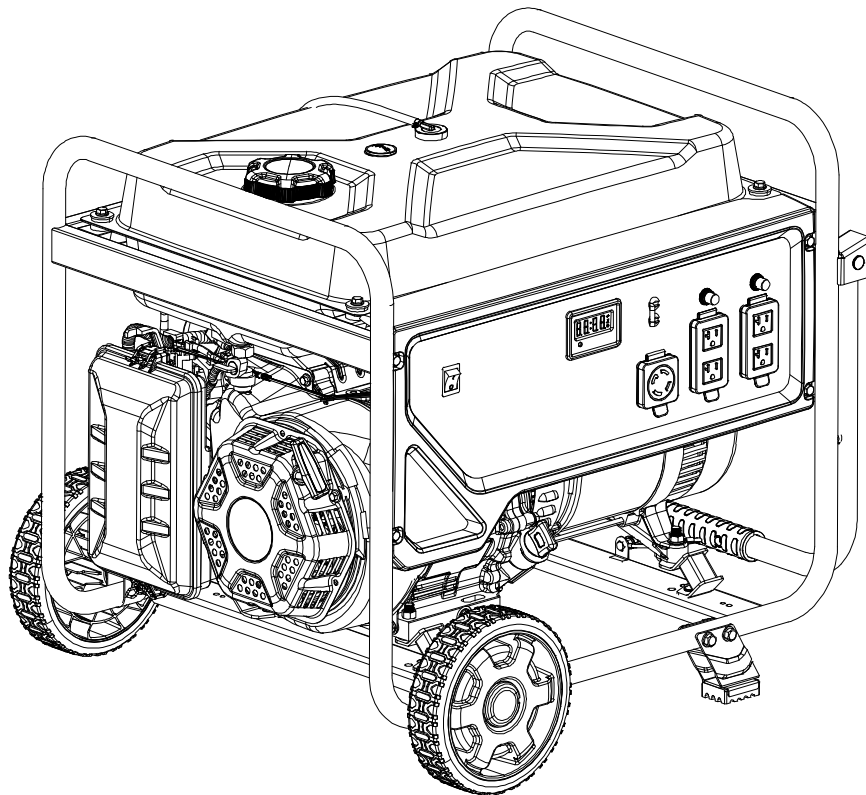




Champion Power Equipment, Inc.

**MODEL #201492**



## **PARTS INFORMATION**

**6250W PORTABLE GENERATOR**

**SERIAL NUMBER RANGE: ALL**



To order replacement parts please visit:  
**[shop.championpowerequipment.com](http://shop.championpowerequipment.com)**  
or call **1-877-338-0999**.

## **TABLE OF CONTENTS**

<b>Generator Parts Diagram</b> .....	<b>3</b>
<b>Generator Parts List</b> .....	<b>4</b>
<b>Engine Parts Diagram</b> .....	<b>5</b>
<b>Engine Parts List</b> .....	<b>6</b>
<b>Cylinder Head Parts Diagram</b> .....	<b>8</b>
<b>Cylinder Head Parts List</b> .....	<b>9</b>
<b>Carburetor Parts Diagram</b> .....	<b>10</b>
<b>Carburetor Parts List</b> .....	<b>11</b>
<b>Alternator Parts Diagram</b> .....	<b>12</b>
<b>Alternator Parts List</b> .....	<b>13</b>
<b>Fuel Tank Parts Diagram</b> .....	<b>14</b>
<b>Fuel Tank Parts List</b> .....	<b>15</b>
<b>Control Panel Parts Diagram</b> .....	<b>16</b>
<b>Control Panel Parts List</b> .....	<b>17</b>
<b>Frame Assembly Parts Diagram</b> .....	<b>18</b>
<b>Frame Assembly Parts List</b> .....	<b>19</b>
<b>Wiring Diagram</b> .....	<b>20</b>

# GENERATOR PARTS DIAGRAM

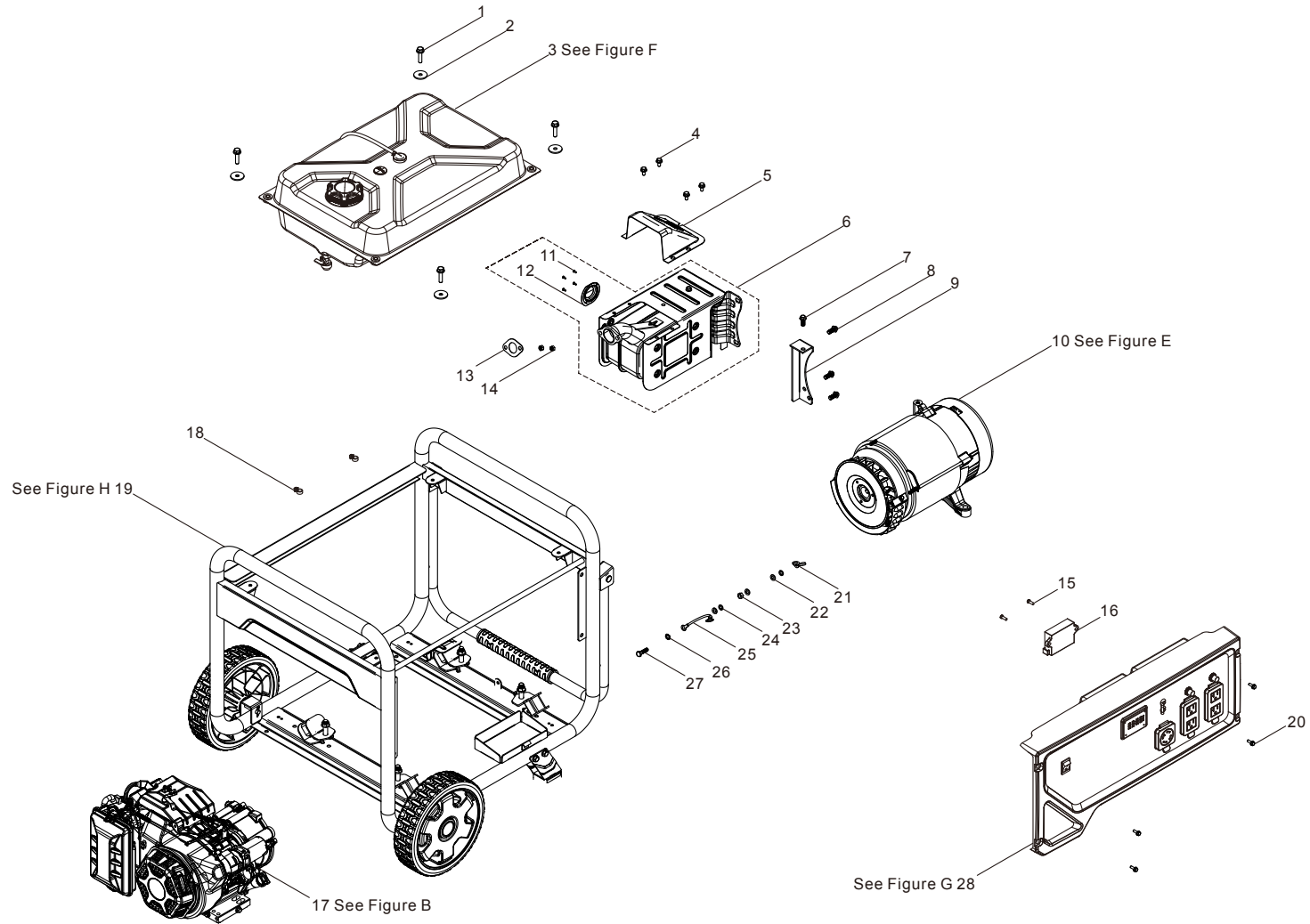


Figure A

**GENERATOR PARTS LIST**

#	Part Number	Description	Qty.
1	90007-000024	Hex Flange Bolt, M6 x 25, Blk Zn	4
2	90408-000008	Flat Washer, Ø6, Blk Zn	4
3	96104-Y16620-0023	Fuel Tank Assy - See Figure F	1
4	90007-000008	Hex Flange Bolt, M6 x 12, Blk Zn	4
5	80019-000002	Guide Hood, Muffler	1
6	18100-000021	Muffler Assy	1
7	90001-000040	Hex Flange Bolt, M8 x 16, White Zn	2
8	90001-000041	Hex Flange Bolt, M8 x 16, Blk Zn	2
9	18030-000007	Muffler Bracket, White Zn	1
10	96114-Y31300-0020	Alternator Assy - See Figure E	1
11	90139-000001	Hex Flange Bolt, M5 x 10, White Zn	4
12	18250-000005	Spark Arrestor	1
13	18001-000004	Exhaust Outlet Gasket	1
14	90303-000006	Hex Nut, M8, Blk Zn	2
15	90124-000003	Tapping Screw, PT5×16	2
16	35720-000001	CO Alarm	1
17	96100-R390MR00-02	Engine - See Figure B	1
18	90684-000005	Clip, Ø8	2
19	96103-Y51100-0030	Frame Assy - See Figure H	1
20	90007-000012	Hex Flange Bolt, M6 x 16, Blk Zn	4
21	90312-000001	Wing Nut, M6, Blk Zn	1
22	90408-000006	Flat Washer, Ø6, Blk Zn	3
23	90303-000003	Flange Nut, M6, Blk Zn	1
24	90403-000003	Spring Washer, Ø6, Blk Zn	2
25	30009-000002	Grounding Wire	1
26	90415-000001	Lock Washer, Ø6, Toothed, Blk Zn	1
27	90001-000027	Hex Flange Bolt, M6 x 25, Blk Zn	1
28	35610-000177	Control Panel Assy - See Figure G	1

# ENGINE PARTS DIAGRAM

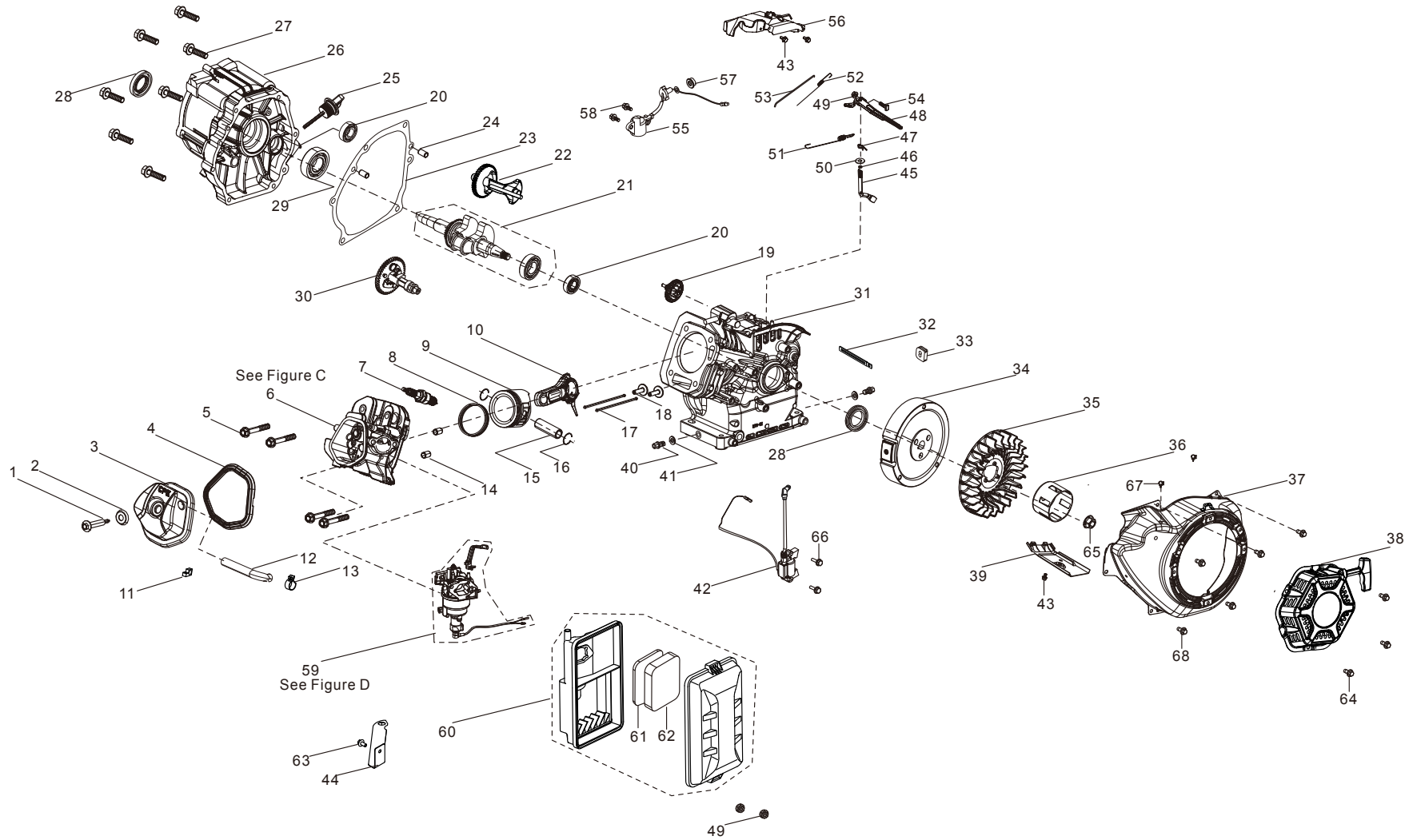


Figure B

**ENGINE PARTS LIST**

#	Part Number	Description	Qty.
1	12032-000001	Cylinder Head Cover Bolt, White Zn	1
2	12034-000001	Cylinder Head Cover Gasket Assy, White Zn	1
3	12410-000010	Cylinder Head Cover Assy, White Zn	1
4	12004-000003	Cylinder Head Cover Gasket	1
5	12003-000004	Cylinder Head Bolt, M10 x 80	4
6	96101-Z120410-0025	Cylinder Head - See Figure C	1
7	30010-000001	Spark Plug, F6RTC	1
8	13200-000003	Piston Ring Assy	1
9	13111-000006	Piston	1
10	13010-000003	Connecting Rod	1
11	90804-000001	Stop Block	1
12	17004-000005	Tube, Breather	1
13	90740-000007	Clip, Ø14 .5	1
14	90502-000008	Pin, 12 x 20	2
15	13121-000004	Piston Pin, Ø20 x Ø14.75 x 62	1
16	13122-000002	Piston Pin Clip	2
17	14070-000003	Valve Rod	2
18	14081-000003	Valve Lifter	2
19	16400-000005	Governor Gear Assy	1
20	90548-000002	Bearing, 6202	2
21	13300-000006	Crankshaft Assy	1
22	13401-000002	Balancing Shaft	1
23	11001-000003	Crankcase Gasket	1
24	90502-000002	Pin, 8 x 12	2
25	15010-000008	Oil Dipstick Assy	1
26	11411-000005	Crankcase Cover	1
27	90001-000050	Hex Flange Bolt, M8 x 40, White Zn	7
28	90682-000011	Oil Seal, Ø35 x Ø52 x 7	2
29	90547-000012	Bearing, 6207	1
30	14200-000004	Camshaft Assy	1

#	Part Number	Description	Qty.
31	11310-000006	Crankcase Assy	1
32	90684-000001	Clip, Ø6 x 10.6 x 130	1
33	28101-000001	Rubber Plug, Blk	1
34	13510-000006	Flywheel Assy	1
35	19352-000008	Cooling Fan, Engine	1
36	28002-000006	Starter Pulley, White Zn	1
37	28110-000010	Shroud	1
38	28200-000023	Recoil Starter Assy	1
39	19304-000004	Cylinder Body Shroud	1
40	11007-000003	Drain Plug Bolt, M12 x1.5 x18, White Zn	2
41	90412-000003	Washer, Ø12 x Ø21 x 2	2
42	30400-000027	Ignition Coil	1
43	90001-000018	Hex Flange Bolt, M6 x 12, White Zn	3
44	17003-000013	Air Cleaner Support	1
45	16061-000004	Governor Arm	1
46	90682-000007	Oil Seal, Ø8 x Ø14 x 4	1
47	90501-000005	Pin, White Zn	1
48	16070-000002	Governor Support Assy, White Zn	1
49	90305-000008	Hex Flange Nut, M6, Blk Zn	3
50	90412-000004	Washer, Ø8.4 x Ø19.5 x 0.8	1
51	16063-000010	Spring, Governor, Ø7.2xØ1.4x140	1
52	16012-000003	Throttle Valve Returning Spring	1
53	16062-000008	Governor Rod, White Zn	1
54	16072-000003	Governor Support Bolt, M6 x 24, White Zn	1
55	37060-000006	Engine oil Sensor	1
56	16520-000025	Throttle Control Assy, White Zn	1
57	90305-000014	Hex Flange Nut, M10, White Zn	1
58	90001-000022	Hex Flange Bolt, M6 x 16, White Zn	2
59	96105-Z16100-0030	Carburetor Assy - See Figure D	1
60	17100-000034	Air Cleaner	1

#	Part Number	Description	Qty.
61	17151-000001	Element, Air Cleaner	1
62	17151-000002	Element 1, Air Cleaner	1
63	90001-000019	Hex Flange Bolt, M6 x 12, Blk Zn	1
64	90251-000001	Hex Flange Bolt, M6 x 8, Blk Zn	3
65	13501-000002	Flywheel Nut, M16 x 1.5, White Zn	1
66	90001-000028	Hex Hex Flange Bolt, M6 x 28, White Zn	2
67	90684-000004	Clip, Ø5.7	2
68	90001-000019	Hex Flange Bolt, M6 x 12, Blk Zn	5

# CYLINDER HEAD PARTS DIAGRAM

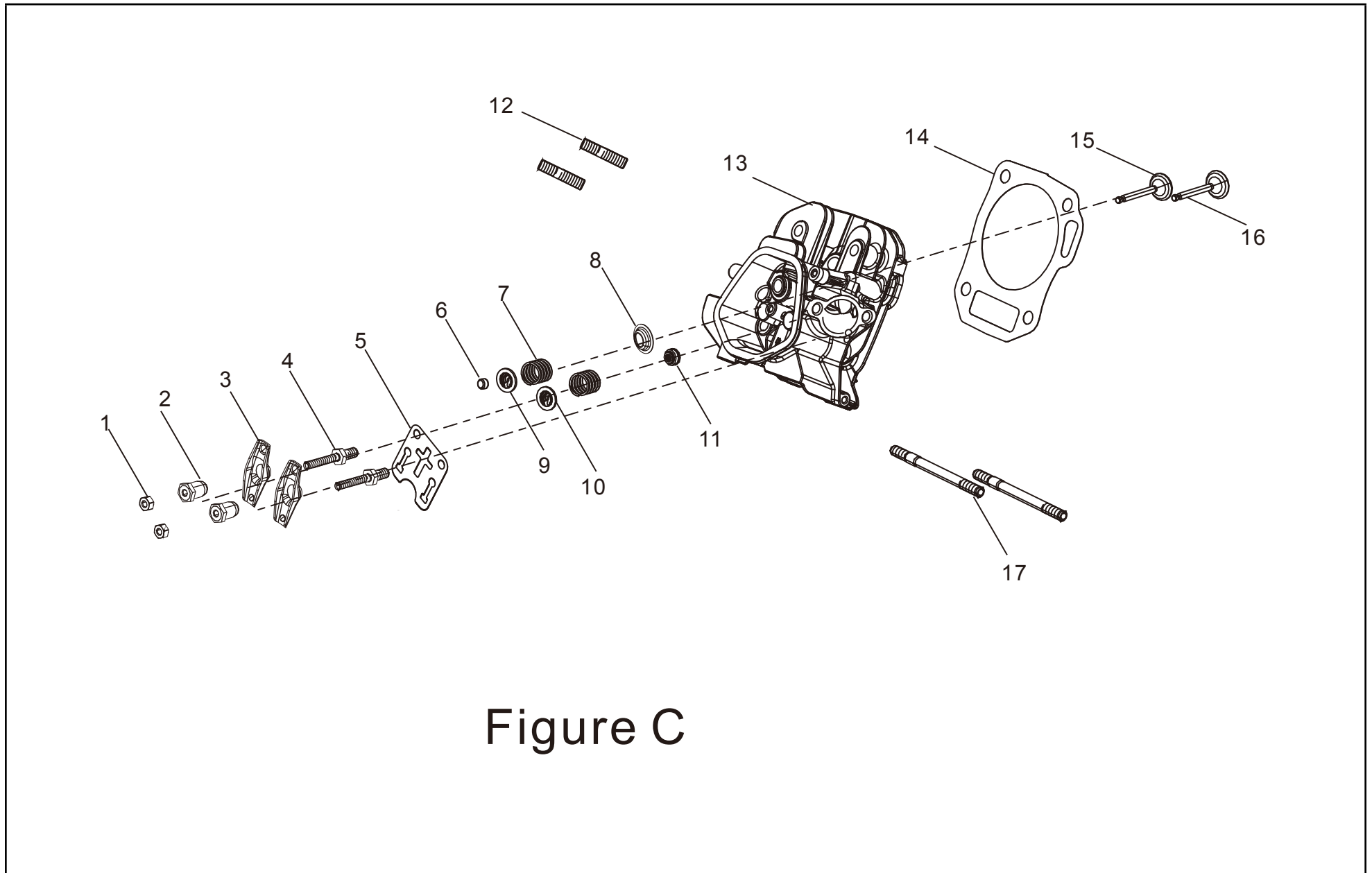


Figure C



**CYLINDER HEAD PARTS LIST**

#	Part Number	Description	Qty.
1	14312-000001	Valve Lock Nut	2
2	14314-000001	Valve Adjusting Nut	2
3	14311-000002	Valve Rocker	2
4	14313-000001	Valve Adjusting Bolt	2
5	14090-000002	Lifter Stopper Plate Assy, White Zn	1
6	12104-000002	Rotator, Valve	1
7	12103-000002	Valve Spring	2
8	12105-000001	Valve Spring Seat	1
9	12107-000002	Valve Spring Retainer, Exhaust valve	1
10	12112-000001	Valve Spring Retainer	1
11	12101-000002	Seal Guide	1
12	90203-000001	Stud, M8 x 34, Blk Zn	2
13	12140-000007	Cylinder Head Assy	1
14	12131-000004	Cylinder Head Gasket	1
15	12121-000007	Exhaust Valve	1
16	12111-000005	Inlet Valve	1
17	90204-000011	Stud, M6/M8 x 110, Blk Zn	2

# CARBURETOR PARTS DIAGRAM

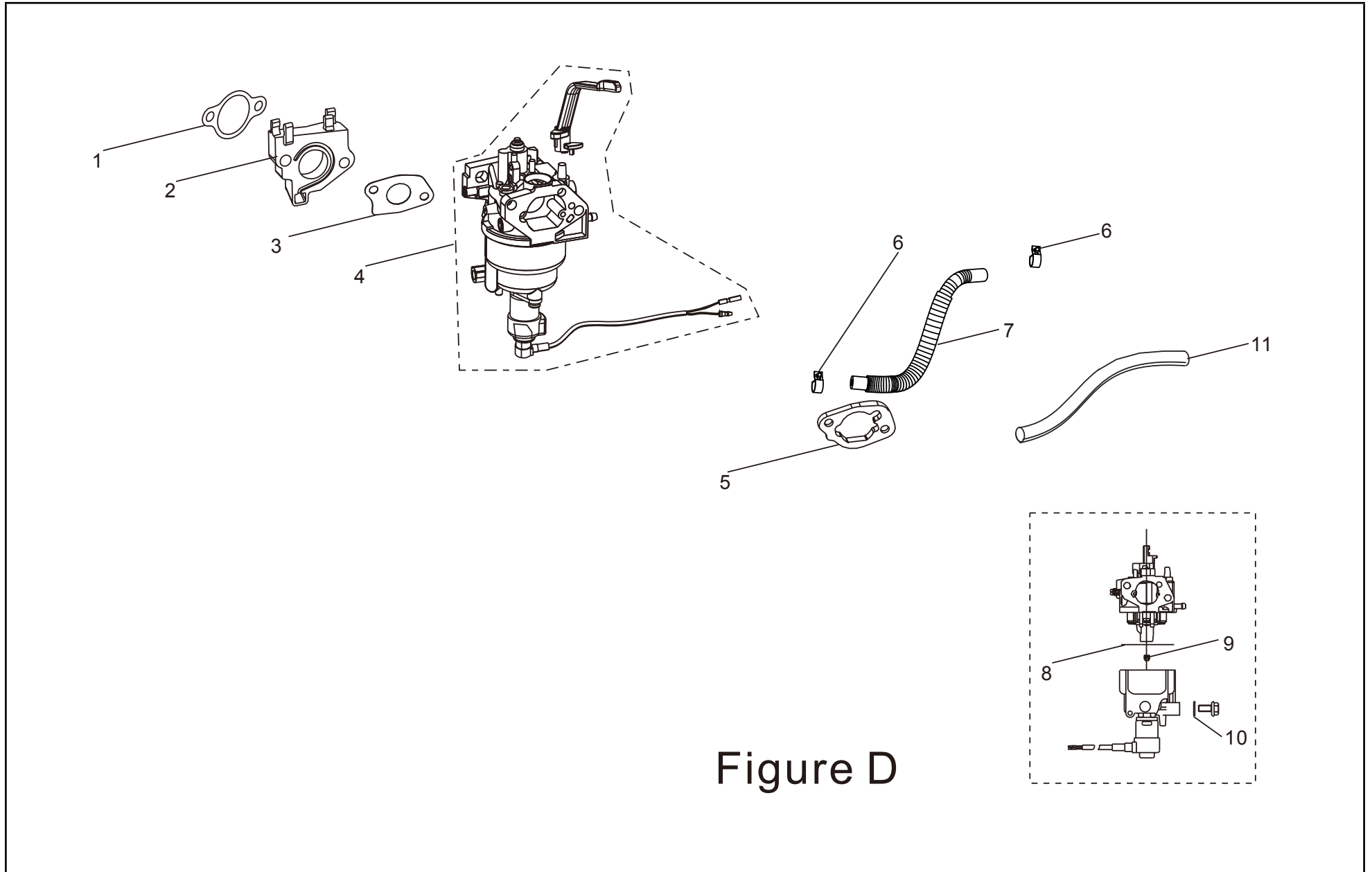


Figure D

## CARBURETOR PARTS LIST

#	Part Number	Description	Qty.
1	17002-000005	Inlet Gasket	1
2	16003-000006	Carburetor Insulator Plate	1
3	16001-000003	Carburetor Gasket	1
4	16100-000015	Carburetor Assy	1
5	17001-000004	Air Cleaner Gasket	1
6	90685-000012	Clamp, Ø8 x 7 x 0.6	2
7	90686-000035	Tube, Ø4.5 x Ø8.5 x 190	1
8	16112-000003	Seal Ring, Float	1
9	16161-000043	Main Jet(101#), Standard	1
	16161-000042	Main Jet(98#), Altitude 3000-6000 Feet	/
	16161-000040	Main Jet(95#), Altitude 6000-8000 Feet	/
10	90681-000003	Seal Ring	1
11	30431-000013	Rubber Sleeve,, Ø9.5 x Ø11 x 150	1

# ALTERNATOR PARTS DIAGRAM

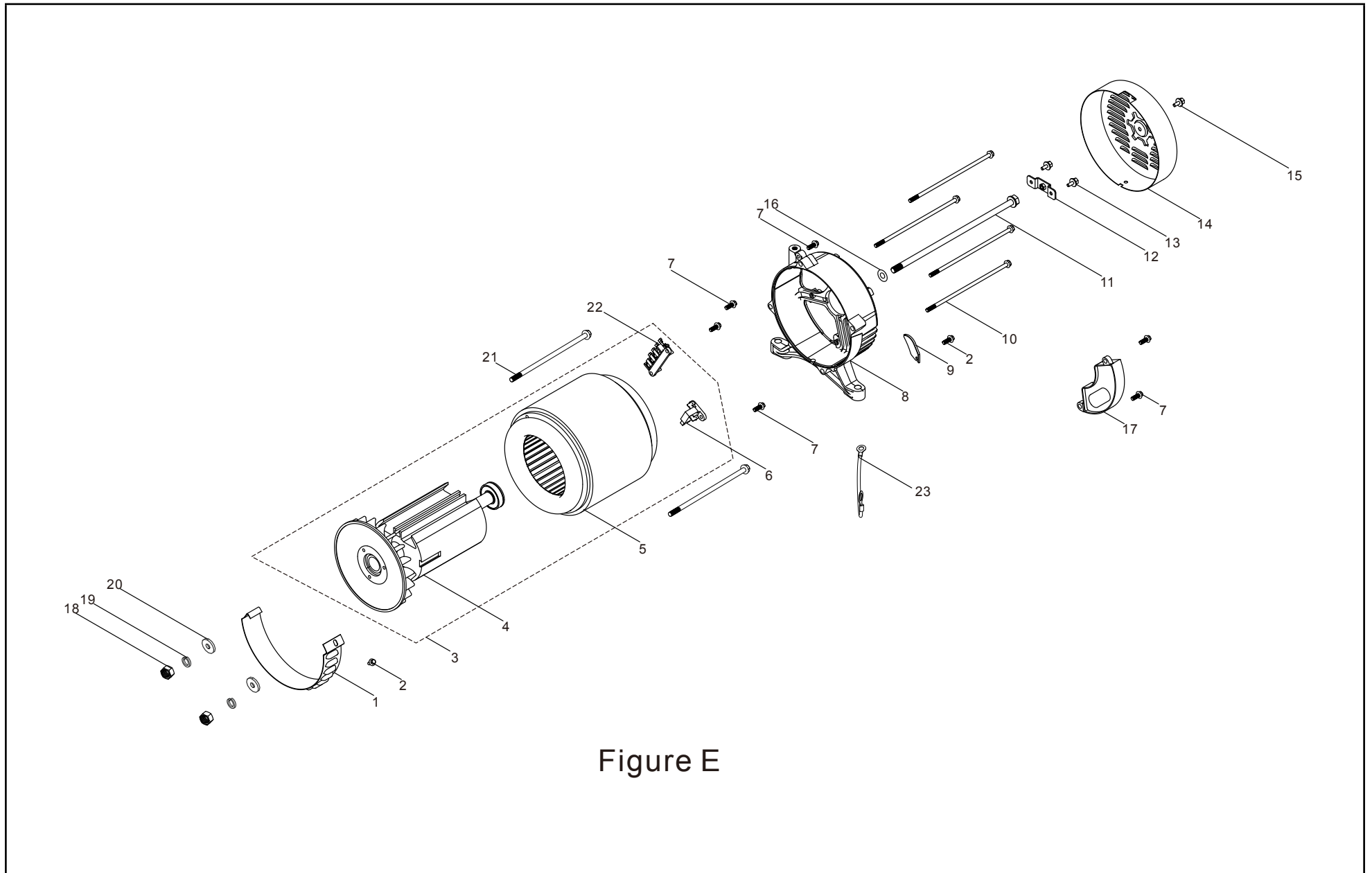


Figure E

**ALTERNATOR PARTS LIST**

#	Part Number	Description	Qty.
1	30024-000006	Shroud, Alternator	1
2	90001-000001	Hex Flange Bolt, M5 x 10, White Zn	2
3	31300-000013	Alternator Assy, AL, Ø190 x 130	1
4	31330-000006	Rotor, AL, Ø190 x 130	1
5	31310-000005	Stator, AL, Ø190 x 130	1
6	31320-000003	Carbon Brush Assy	1
7	90001-000007	Hex Flange Bolt, M5 x 16, White Zn	6
8	30021-000005	Bracket, Motor	1
9	30023-000007	Stopper, Motor Right Cover, White Zn	1
10	30048-000002	Bolt, M6 x 170, Stator, White Zn	4
11	30049-000002	Bolt, M10 x1.25x255, Rotor, White Zn	1
12	51124-000010	Mounting Bracket, White Zn	1
13	90007-000003	Hex Flange Bolt, M5 x 12, Blk Zn	2
14	30022-000009	Cover, End Housing, Yellow	1
15	90001-000019	Hex Flange Bolt, M6 x 12, Blk Zn	1
16	90408-000011	Flat Washer, Ø10.4 x Ø30 x 4, White Zn	1
17	30060-000018	AVR	1
18	90303-000001	Hex Nut, M5, White Zn	2
19	90403-000002	Spring Washer, Ø5, Blk Zn	2
20	90408-000003	Flat Washer, Ø5, White Zn	2
21	31316-000004	Stator Fixing Bolt, M5 x 204	2
22	31303-000002	Terminal Block	1
23	30009-000014	Grounding Wire	1

# FUEL TANK PARTS DIAGRAM

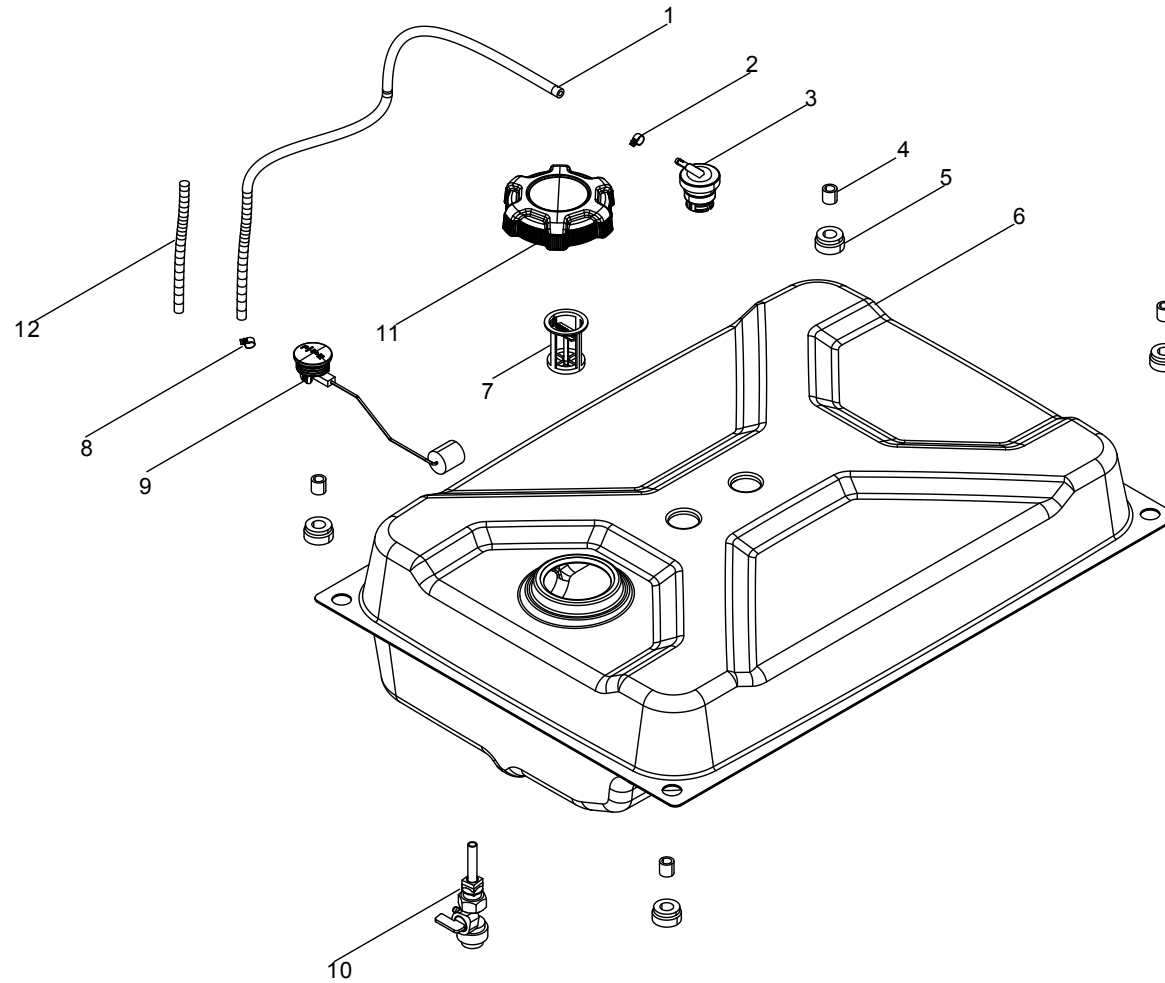


Figure F

**FUEL TANK PARTS LIST**

#	Part Number	Description	Qty.
1	16804-000030	Connection Tube, Ø4.5 x Ø8.5 x 820	1
2	90740-000005	Clamp, Ø9 x 1	1
3	15150-000003	Reversal Valve	1
4	90683-000001	Bushing, White Zn	4
5	16601-000001	Vibration Mount, Fuel Tank, 12.5x Ø16	4
6	16620-000018	Fuel Tank, 29.1L, RT2910A	1
7	16652-000009	Fuel Filter	1
8	90685-000007	Clamp, Ø9.5x0.8x8, Blk Zn	1
9	37200-000010	Fuel Gauge	1
10	16750-000003	Fuel Valve	1
11	16730-000010	Fuel Tank Cap	1
12	30431-000008	Rubber Sleeve, Ø9.5 x Ø11 x 80	1

# CONTROL PANEL PARTS DIAGRAM

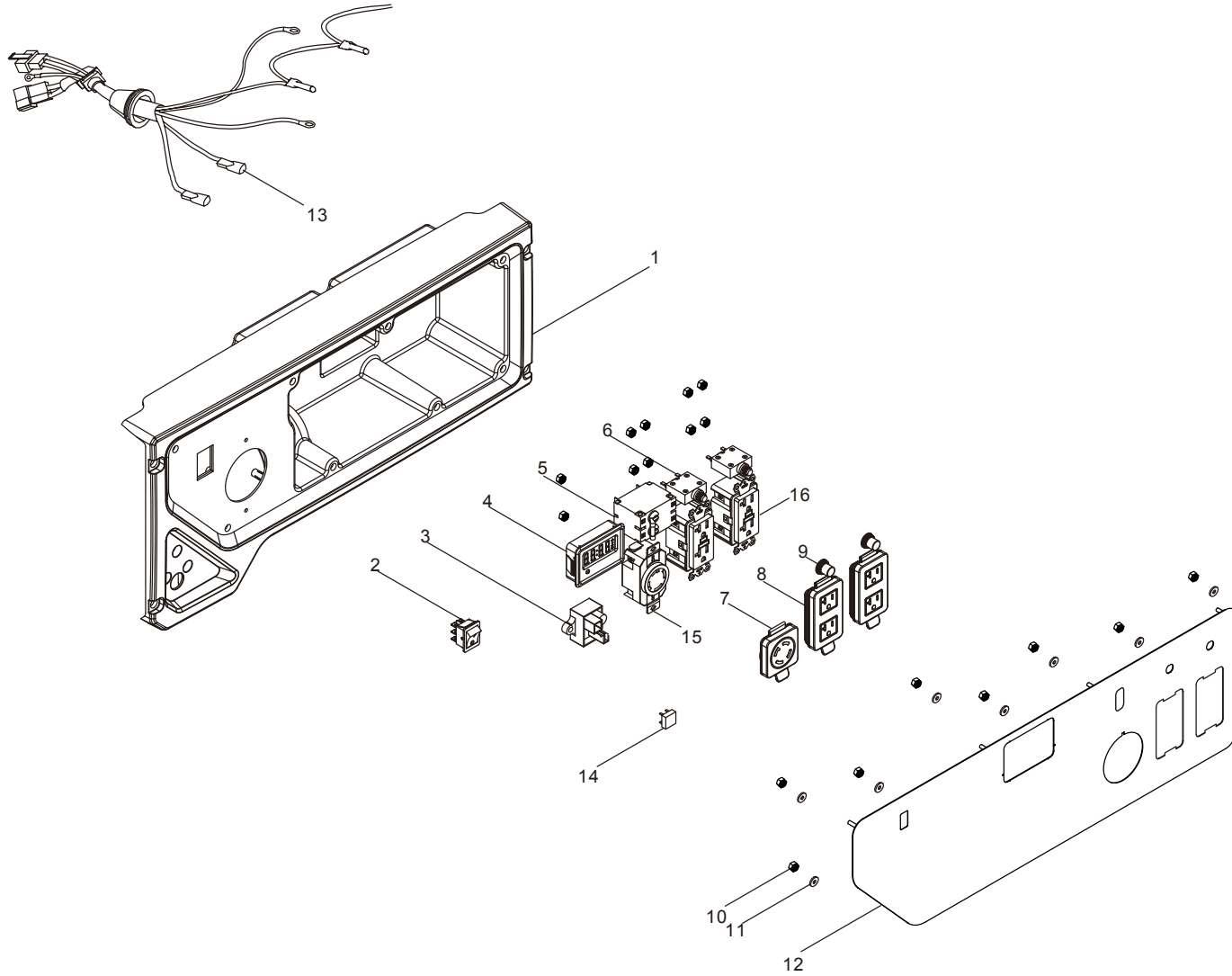


Figure G



## CONTROL PANEL PARTS LIST

#	Part Number	Description	Qty.
1	35680-000026	Seat, Panel	1
2	35160-000002	Switch Assembly, Engine	1
3	30008-000002	Control Module, OV0201	1
4	35632-000006	Display, INT1A0F	1
5	35627-000005	26Amp Circuit Breaker, 2P flip, 250V	1
6	31234-000003	20Amp Circuit Breaker, Push Button, 125/250V	2
7	35654-000010	Receptacle Cover, L14-30R	1
8	35654-000013	Receptacle Cover, 5-20R	2
9	35654-000005	Cover, Push Button	2
10	90305-000016	Hex Flange Nut, M4, White Zn	18
11	90408-000029	Flat Washer, Ø6, White Zn	8
12	35650-000064	Control Panel	1
13	35660-000072	Wiring Harness, Control Panel	1
14	35621-000001	Rectifier	1
15	35614-000004	L14-30R Receptacle, 30A, 125V/250V	1
16	35614-000018	5-20R GFCI Receptacle, 20A, 125V	2

# FRAME ASSEMBLY PARTS DIAGRAM

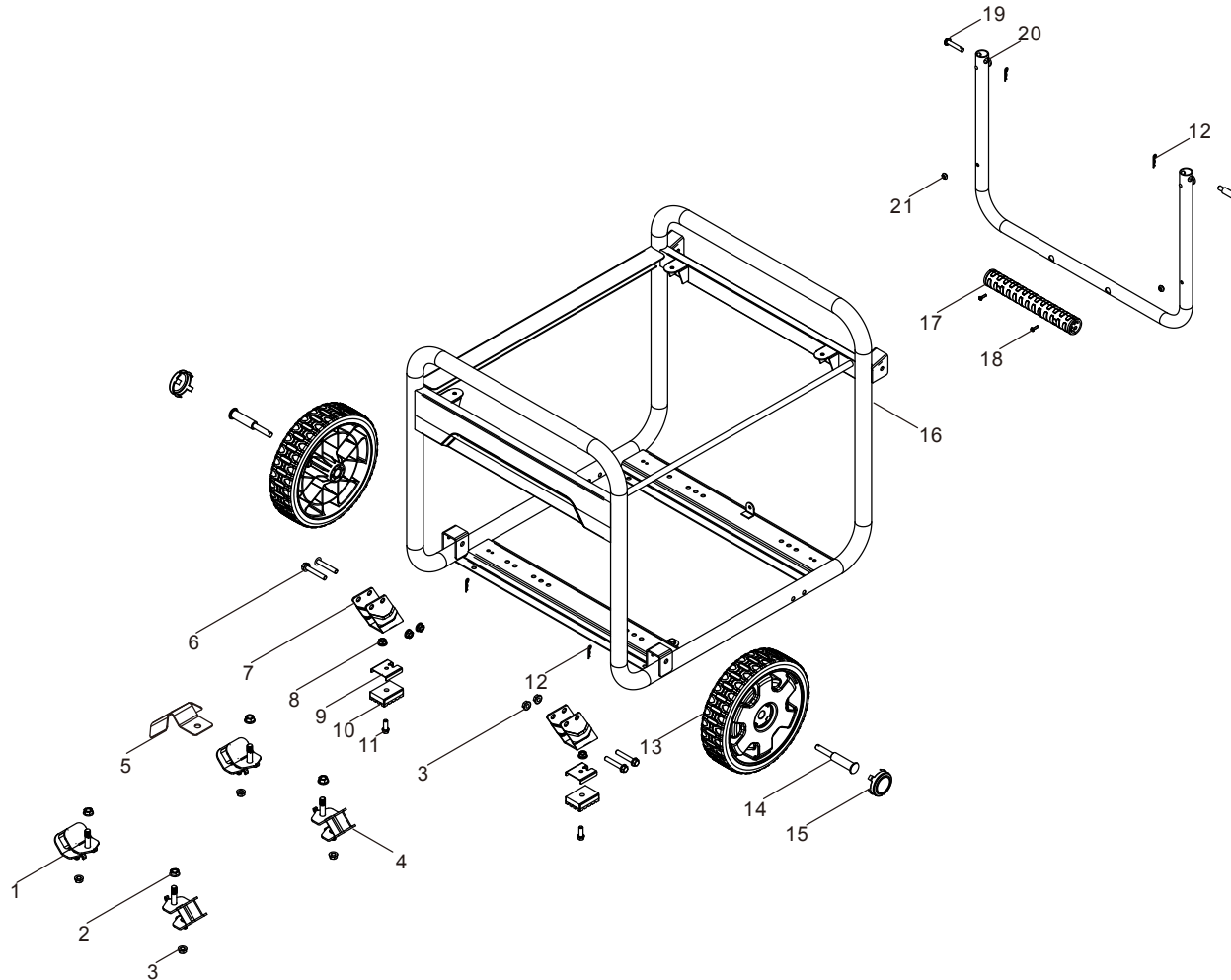


Figure H

**FRAME ASSEMBLY PARTS LIST**

#	Part Number	Description	Qty.
1	51012-000001	Rear Vibration Mount, Frame	2
2	90306-000002	Hex Flange Nut, M10, Blk Zn	4
3	90305-000011	Hex Flange Nut, M8, Blk Zn	8
4	51005-000004	Vibration Mount, Frame	2
5	24329-000004	Block 1	1
6	90001-000051	Hex Flange Bolt, M8 x 40, Blk Zn	4
7	51016-000009	Support Leg	2
8	90305-000008	Hex Flange Nut, M6, Blk Zn	2
9	24329-000008	Block 2	2
10	51014-000017	Vibration Mount, Support Leg	2
11	90001-000025	Hex Flange Bolt, M6 x 20, Blk Zn	2
12	90583-000001	R Pin, Blk Zn	4
13	44110-000002	8in. Wheel, Yellow	2
14	44020-000010	Roll Pin, L=95, Blk Zn	2
15	44001-000003	Cover, Hub Decorated	2
16	51100-000070	Frame Assy, 655 x 525 x 545	1
17	54101-000006	Handle Sheath, 25 x 233	1
18	90103-000007	Screw, M4 x 16, Blk Zn	2
19	90504-000002	Pin Shaft, Blk Zn	2
20	54110-000013	Handle, 525 x 385 x 31	1
21	90722-000006	Plug, End	2

# WIRING DIAGRAM

