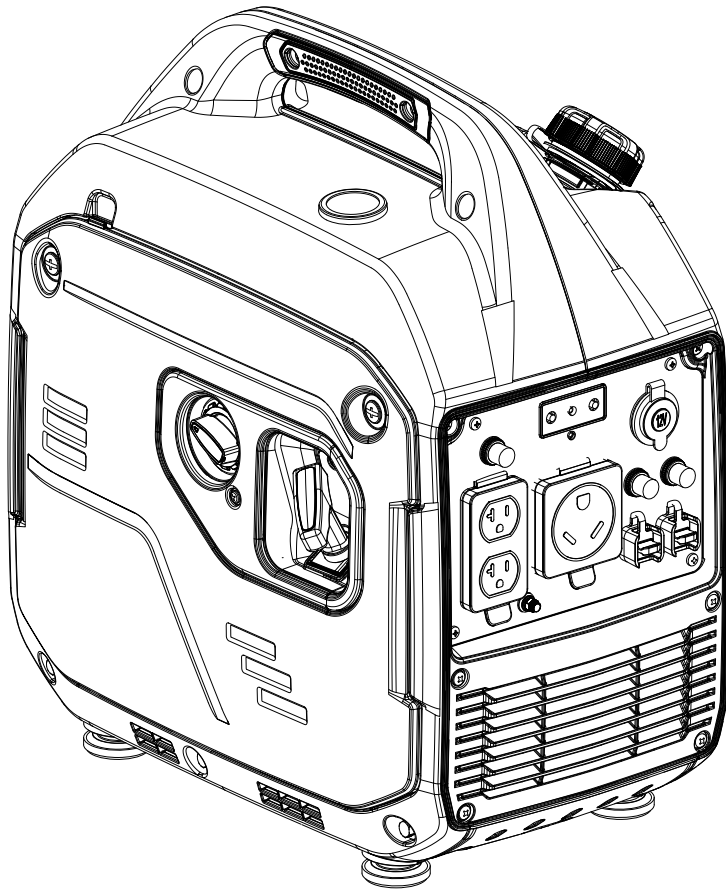


# Cabela's<sup>®</sup>

**MODEL #201486**



## **PARTS INFORMATION**

**4000W PORTABLE INVERTER GENERATOR**

**SERIAL NUMBER RANGE: ALL**



To order replacement parts please visit:  
**[shop.championpowerequipment.com](http://shop.championpowerequipment.com)**  
or call **1-877-338-0999**.

## **TABLE OF CONTENTS**

<b>Inverter Generator Parts Diagram</b> .....	<b>3</b>
<b>Inverter Generator Parts List</b> .....	<b>4</b>
<b>Engine Parts Diagram</b> .....	<b>5</b>
<b>Engine Parts List</b> .....	<b>6</b>
<b>Cylinder Head Parts Diagram</b> .....	<b>8</b>
<b>Cylinder Head Parts List</b> .....	<b>9</b>
<b>Carburetor Parts Diagram</b> .....	<b>10</b>
<b>Carburetor Parts List</b> .....	<b>11</b>
<b>Fuel Tank Parts Diagram</b> .....	<b>12</b>
<b>Fuel Tank Parts List</b> .....	<b>13</b>
<b>Control Panel Parts Diagram</b> .....	<b>14</b>
<b>Control Panel Parts List</b> .....	<b>15</b>
<b>Housing Assembly Parts Diagram</b> .....	<b>16</b>
<b>Housing Assembly Parts List</b> .....	<b>17</b>
<b>Wiring Diagram</b> .....	<b>18</b>

# INVERTER GENERATOR PARTS DIAGRAM

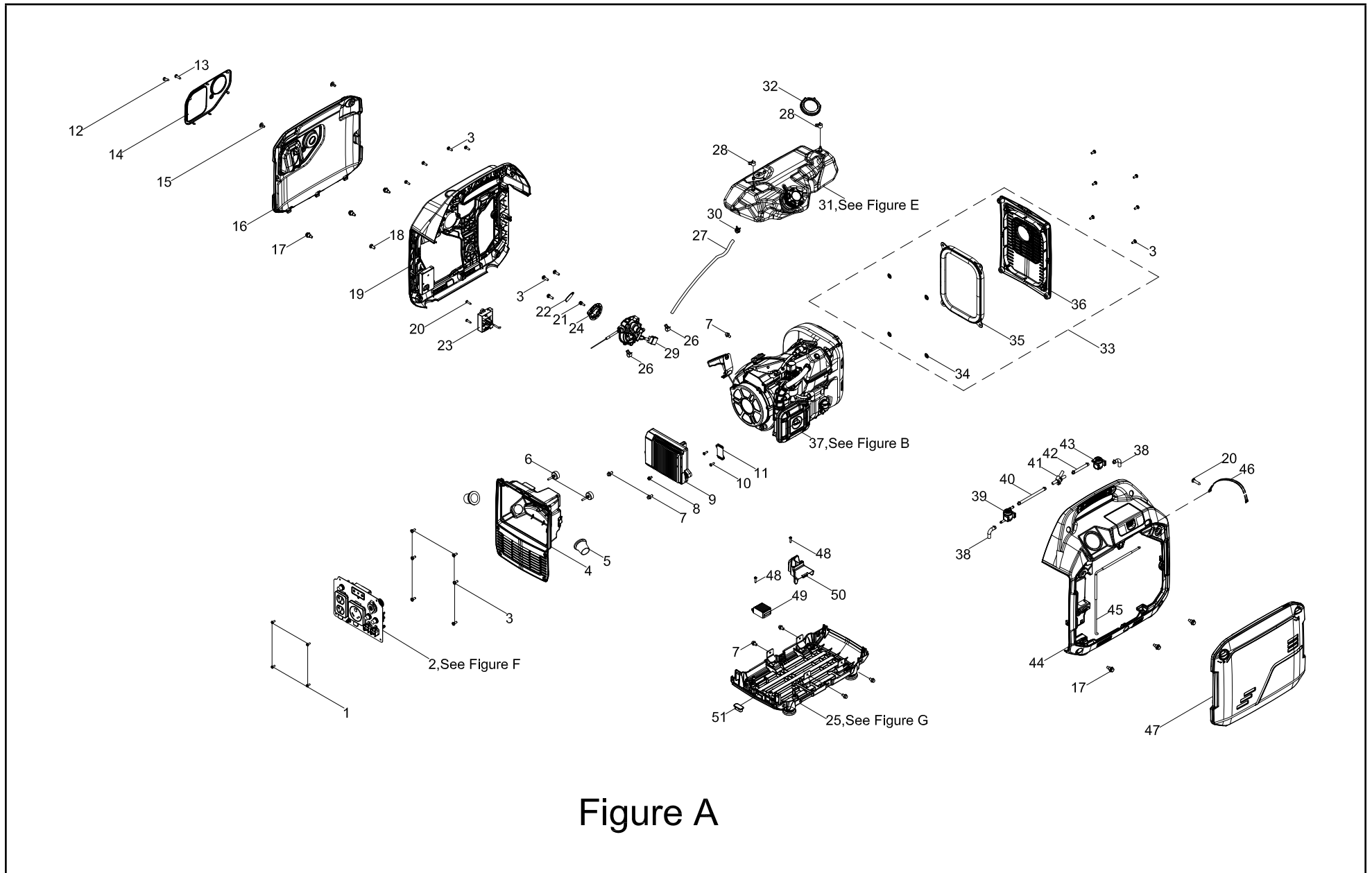


Figure A

## INVERTER GENERATOR PARTS LIST

#	Part Number	Description	Qty.
1	100010946-0001	Screw M4 x 10	4
2	100796520-0002	Panel Assembly, See Figure F	1
3	100033079-0003	Screw M5 x 16	19
4	100797869	Panel Bed	1
5	100711831	Wire Jacket	2
6	100716670	Bumper pad	2
7	100011570-0001	Big Flange Bolt M6 x 12	7
8	100011247-0004	Flange Bolt M5 x 8	1
9	100796531	Inverter, 120V 60Hz	1
10	100032967-0002	Self-tapping Screw, ST4.2 x 16	2
11	100158096	Clip Base	1
12	100733485-0002	Self-tapping Screw, ST4.2 x 13	1
13	100032967-0005	Self-tapping Screw, ST4.2 x 16	1
14	100796683-0001	Appearance Protect	1
15	100072713-0002	Bolt	2
16	100796682-0005	Left Cover Board Assembly	1
17	100081994	Shaft Locating Bolt	6
18	100010953-0004	Screw M5 x 10	1
19	100797056-0002	Housing Assembly, Left Handle	1
20	100011002-0004	Self-tapping Screw, ST4.2 x 19	3
21	100137684-0003	Flange Bolt M4 x 16	1
22	100715786-0003	Cover, Fuel Switch Handle	1
23	5.1830.022	CO Shutdown Module	1
24	100796806	Oil Switch Knob	1
25	100797396	Base Assembly, See Figure G	1
26	100771620	Clamp Ø8.5	2
27	100798440	Fuel Tube, L=110mm	1
28	100005148	Clamp 1, Ø8	2
29	100796816	Switch Assembly	1
30	100005159	Clamp 2, Ø10.5 x 8	1

#	Part Number	Description	Qty.
31	100797397	Fuel Tank Assembly, See Figure E	1
32	100008887	Lock Nut	1
33	100727377-0001	Service Window	1
34	100087972	Retainer Ring	4
35	100158130	O-ring Seal	1
36	100716698	Rear Panel, Muffler, Black	1
37	1ZC7DCV29	Engine, See Figure B	1
38	100161875-0001	Fuel Tube	2
39	100158094	Roll Over Valve	1
40	100716692	Fuel Tube, L=120mm	1
41	100160310	Fuel Tee Pipe	1
42	100716690	Fuel Tube, L=70mm	1
43	100158092	Roll Over Valve	1
44	100727373-0004	Housing Assembly, Right Handle	1
45	100786920	Fuel Tube, L=705mm	1
46	100000563	Tape, L=85mm	1
47	100796686-0005	Right Cover Board Assembly	1
48	100100457-0001	Screw M4 x 16	2
49	100765371-0001	Rectifier Bridge, Capacitance	1
50	100717737-0002	Shroud Cover	1
51	100072710	Rubber Damper	1

# ENGINE PARTS DIAGRAM

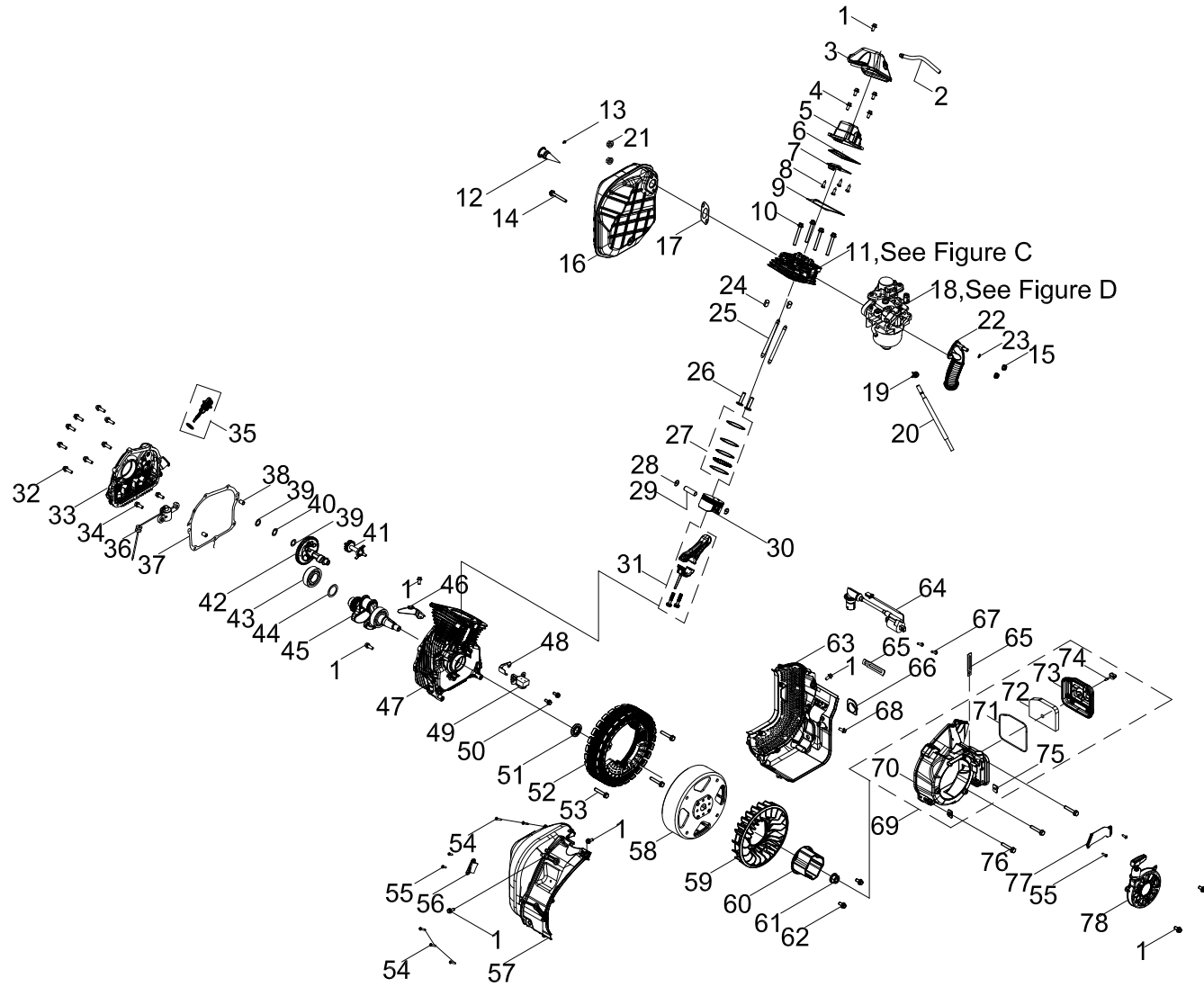


Figure B

**ENGINE PARTS LIST**

#	Part Number	Description	Qty.
1	100011570-0001	Big Flange Bolt M6 x 12	9
2	100088413	Breather Tube	1
3	100158098	Cylinder Head Cover Gasket	1
4	100031968-0002	Big Flange Bolt M6 x 20	4
5	100157081	Cylinder Head Cover Assembly	1
6	100158111	Gasket, Cylinder Cover	1
7	100158112	Inner Cover, Valve Cover	1
8	100005133	Cross Screw M3 x 6	4
9	100158122	Gasket, Cylinder Head Cover	1
10	100002464-0001	Flange Bolt M8 x 60	4
11	100797891	Cylinder Head Assembly - See Figure C	1
12	100085794	Spark Arrester Assembly	1
13	100011000-0001	Self-tapping Screw ST4.2 x 9.5	1
14	100011280-0004	Flange Bolt M6 x 75, GB5789	1
15	100011452-0003	Lock Nut M6, Flange	2
16	100765699	Exhaust Muffler Assembly	1
17	100751828	Gasket, Muffler	1
18	100797894	Carburetor kit - See Figure D	1
19	100090871	Clamp 1, Ø9.7 x 8	1
20	100798439	Fuel Tube, L=295mm	1
21	100011452-0013	Lock Nut M6, Flange	2
22	100158121	Air Filter Hose	1
23	100005150	Clamp 2	1
24	100010558	Dowel Pin Ø10 x 16	2
25	100760593	Push Rod	2
26	100004262	Lifter, Valve	2
27	100726599	Piston Ring Set	1
28	100003220	Circlip	2
29	100722061	Wrist Pin	1
30	100781541	Piston	1

#	Part Number	Description	Qty.
31	100782826	Connecting Rod	1
32	100033100-0005	Big Flange Bolt M6 x 25	8
33	100157091	Cover, Crankcase	1
34	100031967-0007	Big Flange Bolt M6 x 16	2
35	100084322-0003	Oil Dipstick Assembly, Black	1
36	100719270-0002	Oil Level Sensor	1
37	100158110	Gasket, Crankcase Cover	1
38	100010549	Dowel Pin Ø8 x 12	2
39	100158680	Washer Ø14.2 x 0.5 x Ø21	2
40	100162210	Washer, 14.2x21x2	1
41	100724647	Oil Thrower Gear	1
42	100158125	Camshaft	1
43	100072204	Bearing, 6205E	1
44	100010527-0001	Washer Ø25.4 x 1 x Ø34	1
45	100786015	Crankshaft	1
46	100720769	Shroud 1	1
47	100157087	Crankcase	1
48	100720770	Shroud 2	1
49	100765358-0001	Trigger	1
50	100055591-0006	Big Flange Bolt M6 x 12	2
51	100017644	Oil Seal Ø25 x Ø41.25 x 6	1
52	100796530	Stator Assembly	1
53	100076844-0001	Big Flange Bolt M6 x 38	3
54	100011004-0001	Cross Screw M4.2 x 25	5
55	100032967-0002	Cross Screw M4.2 x 16	4
56	100158099	Idle Spring	1
57	100158103	Rear Air Guide	1
58	100765369-0001	Rotor Assembly, Permanent Magneto	1
59	100158114	Cooling Fan	1
60	100157090	Pulley, Starter	1

#	Part Number	Description	Qty.
61	100011462-0001	Flange Nut M14 x 1.5	1
62	100011571-0001	Big Flange Bolt M6 x 14	2
63	100158107	Front Air Guide	1
64	100765357	Ignition Coil	1
65	100000656	Wire Clip C	2
66	100784921	Oil Seal	1
67	100093250-0004	Cross Screw M4.8 x 20	2
68	100715178-0001	Big Flange Bolt M6 x 45	1
69	100795717	Fan Cover Assembly	1
70	100795718	Fan Cover, Black	1
71	100158177	Gasket, Air Filter	1
72	100158179	Air Filter Element	1
73	100158178	Air Filter Cover	1
74	100158176	Bolt	1
75	100072994	Lock Nut	2
76	100011274-0002	Flange Bolt M6 x 45, GB5789	3
77	100158097	Clip Base 1	1
78	100717807-0004	Recoil Starter Assembly, Black	1

# CYLINDER HEAD PARTS DIAGRAM

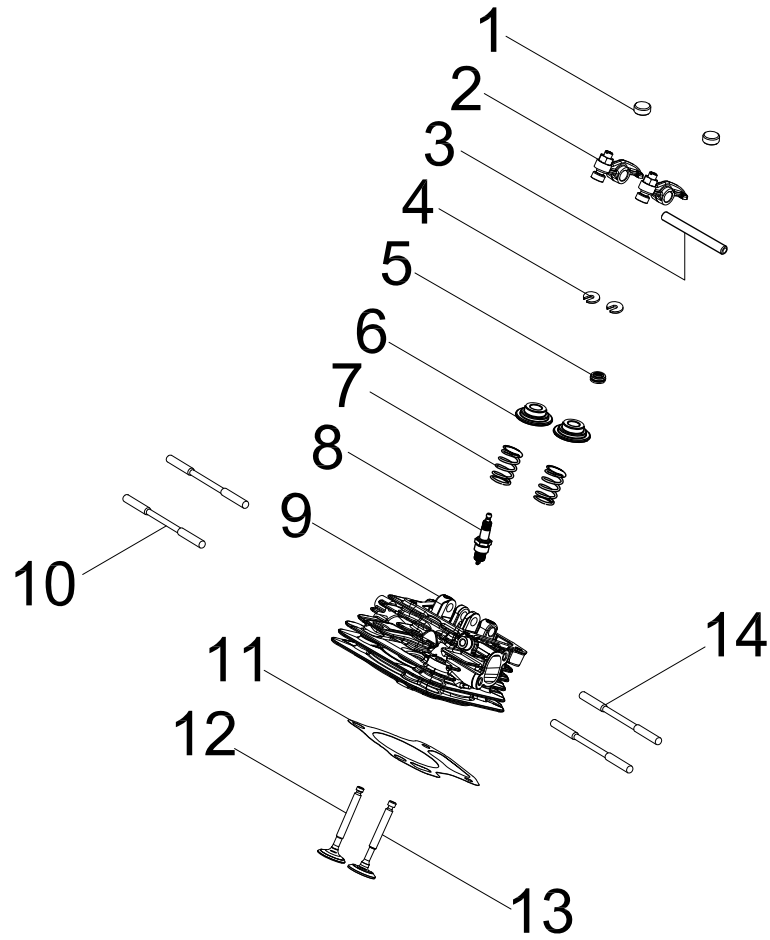


Figure C



**CYLINDER HEAD PARTS LIST**

#	Part Number	Description	Qty.
1	100760592	Valve Adjust Cap, Exhaust	2
2	100760595	Rocker Arm Assembly	2
3	100158127	Shaft, Rocker Arm	1
4	100075055	Valve Collet	2
5	100758247	Valve Seal Guide	1
6	100075056	Valve Spring Seat, 148F	2
7	100159357	Spring Valve	2
8	100097810	Spark Plug(E6RTC)	1
9	100747805	Cylinder Head	1
10	100051258-0001	Stud Bolt M6 x 82	2
11	100158124	Gasket, Cylinder Head	1
12	100760591	Valve Exhaust	1
13	100760590	Valve Intake	1
14	100010348	Stud Bolt M6 x 87	2

# CARBURETOR PARTS DIAGRAM

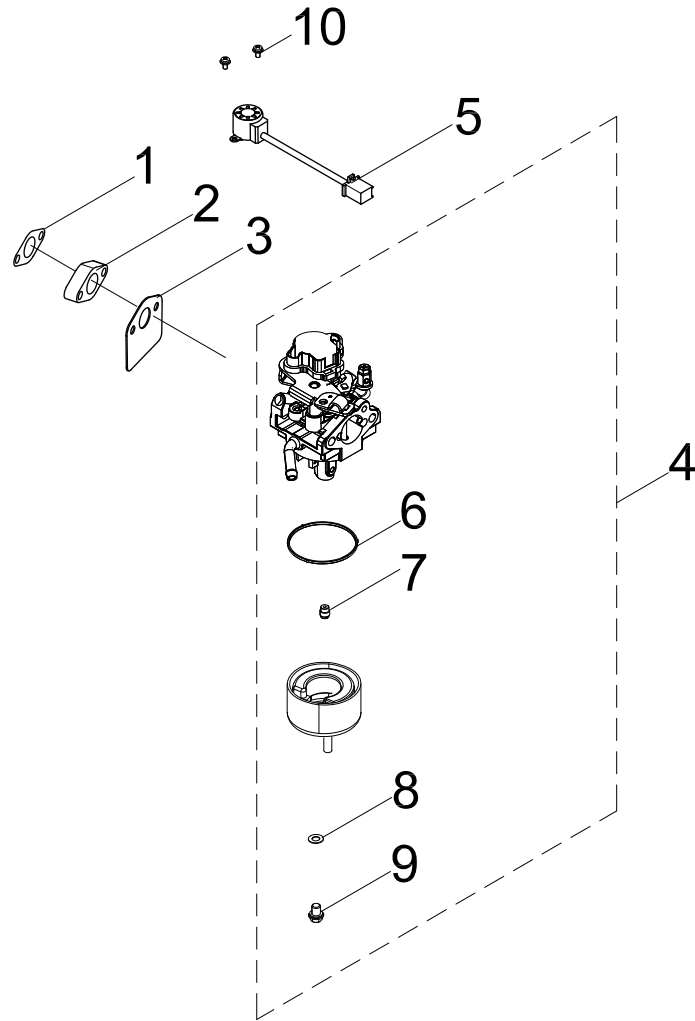


Figure D

**CARBURETOR PARTS LIST**

#	Part Number	Description	Qty.
1	100158108	Gasket, Insulator	1
2	100158118	Insulator, Carburetor	1
3	100158117	Gasket, Carburetor	1
4	100797054	Carburetor	1
5	100061512	Stepper Motor	1
6	100790304	Fuel Bowl O-Ring	1
7	100072072	Main Jet Standard (64)	1
	100715806	Main Jet Standard (62)	/
8	100006095	Fuel Bowl Mounting Bolt Gasket	1
9	100715797	Fuel Bowl Mounting Bolt	1
10	100031942-0002	Big Flange Bolt M3 x 6	2

## FUEL TANK PARTS DIAGRAM

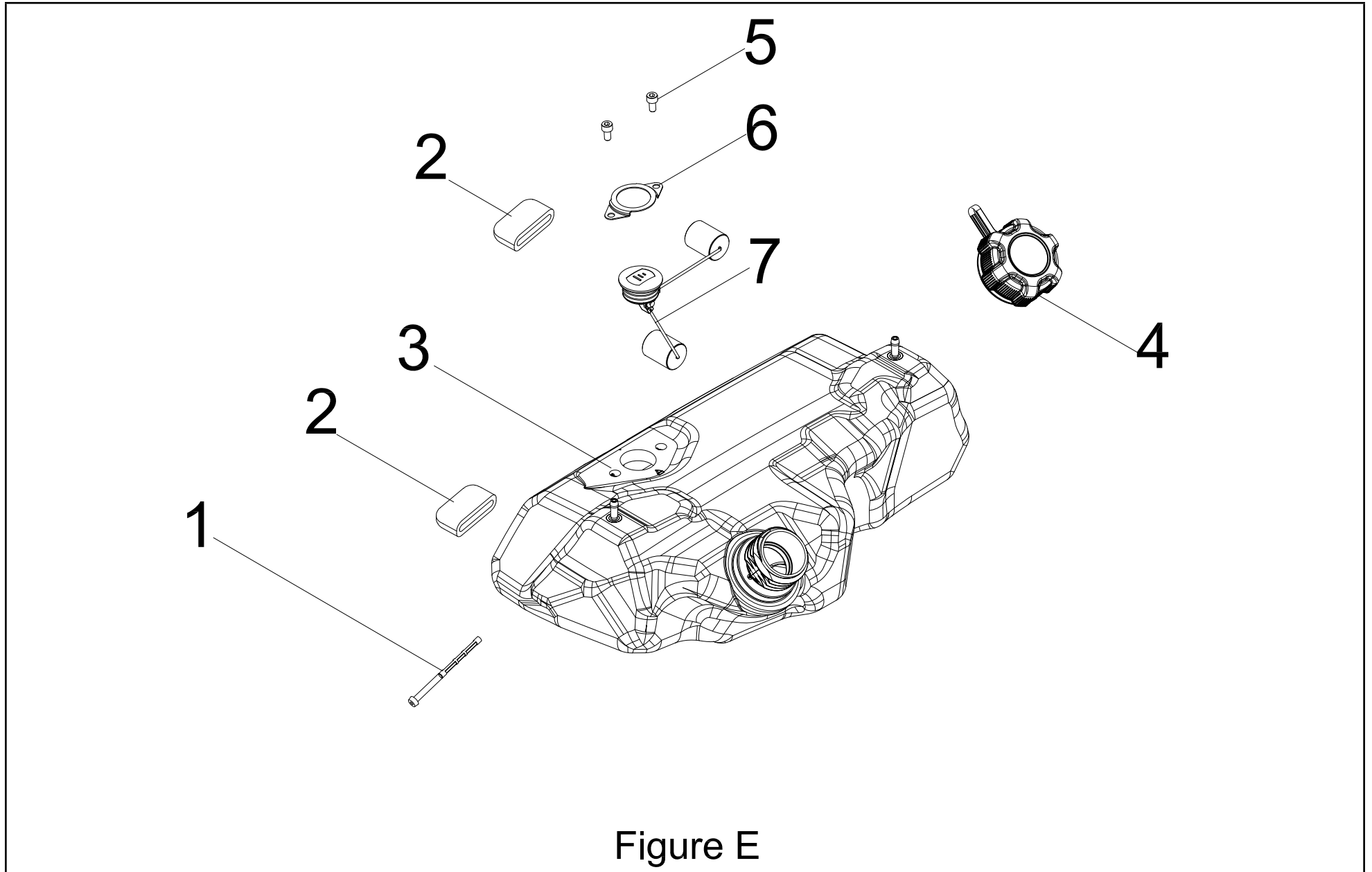


Figure E

**FUEL TANK PARTS LIST**

#	Part Number	Description	Qty.
1	100711177	Fuel Strainer	1
2	100072727	Rubber Pad	2
3	100733630	Fuel Tank	1
4	100764979	Fuel Tank Cap	1
5	100010831-0001	Flange Bolt M5 x 10	2
6	100714562	Fixed Clamp	1
7	100797170	Fuel Indicator	1

# CONTROL PANEL PARTS DIAGRAM

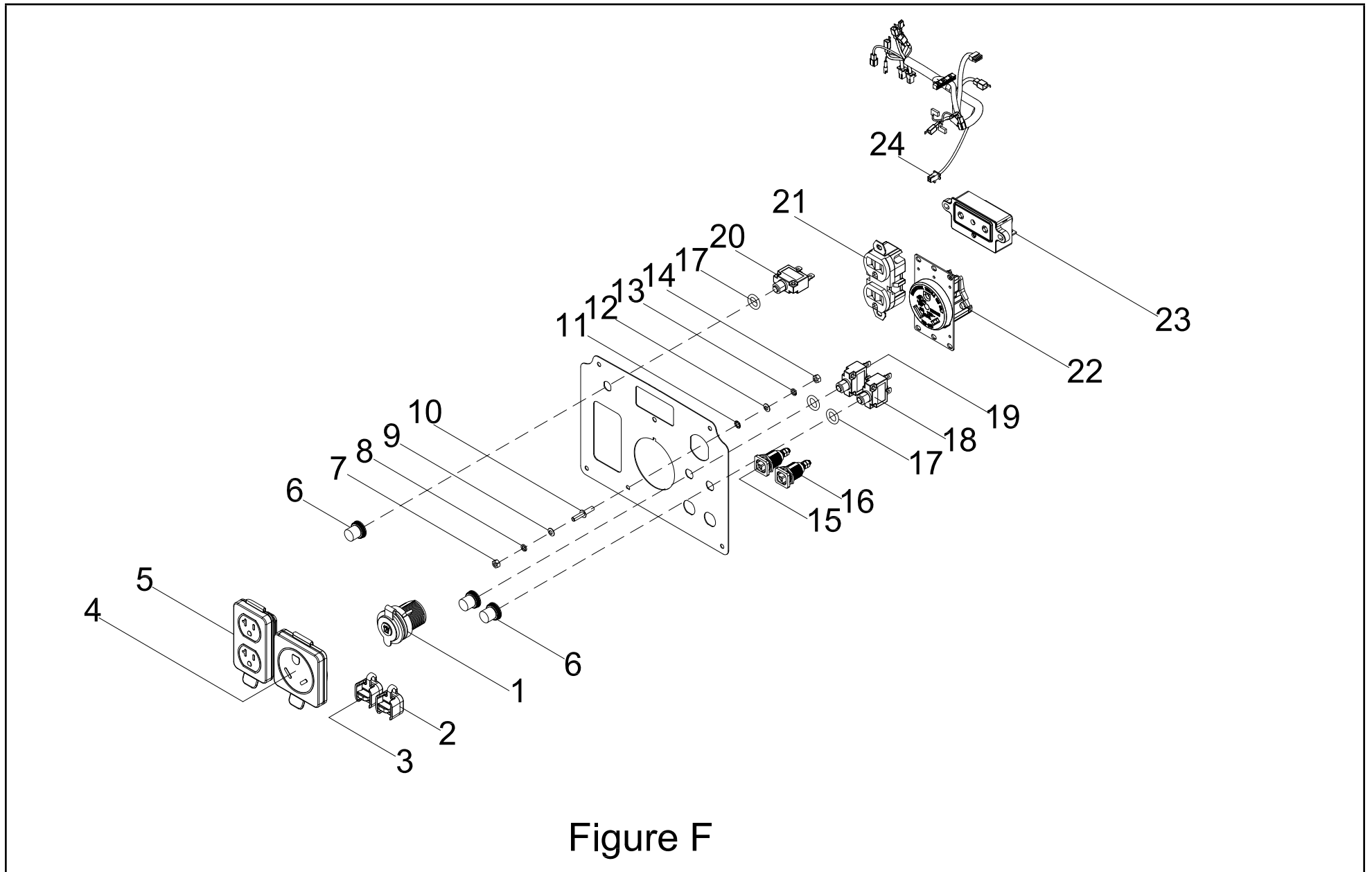


Figure F

**CONTROL PANEL PARTS LIST**

#	Part Number	Description	Qty.
1	100019782	Receptacle, 12 VDC	1
2	100735685-0002	Parallel Port Cover, Square, Black	1
3	100735685-0001	Parallel Port Cover, Square, Red	1
4	100731572	Receptacle Cover, TT-30R	1
5	100731575	Receptacle Cover, L5-20R	1
6	100120180	Cover, Circuit Breaker	3
7	100011421-0003	Flange Nut M6	1
8	100010886-0004	Spring Washer Ø6	1
9	100010910-0003	Flat Washer Ø6	1
10	100092320	Ground Stud	1
11	100128826-0001	Lock Washer Ø6, Toothed	1
12	100010919-0002	Flat Washer Ø5	1
13	100010885-0003	Spring Washer Ø5	1
14	100011419-0001	Nut M5	1
15	100746006-0001	Parallel Port, Square, Red	1
16	100746006-0002	Parallel Port, Square,Black	1
17	100031552	O-Ring	3
18	100057719-0001	8Amp Circuit Breaker, Push Button	1
19	100019751	30Amp Circuit Breaker, Push Button	1
20	100019754	20Amp Circuit Breaker, Push Button	1
21	100020029	Receptacle 5-20R, Duplex	1
22	100161320	Receptacle TT-30R	1
23	100159885	LED Display Module	1
24	100796593	Wire Harness Assembly	1

## HOUSING ASSEMBLY PARTS DIAGRAM

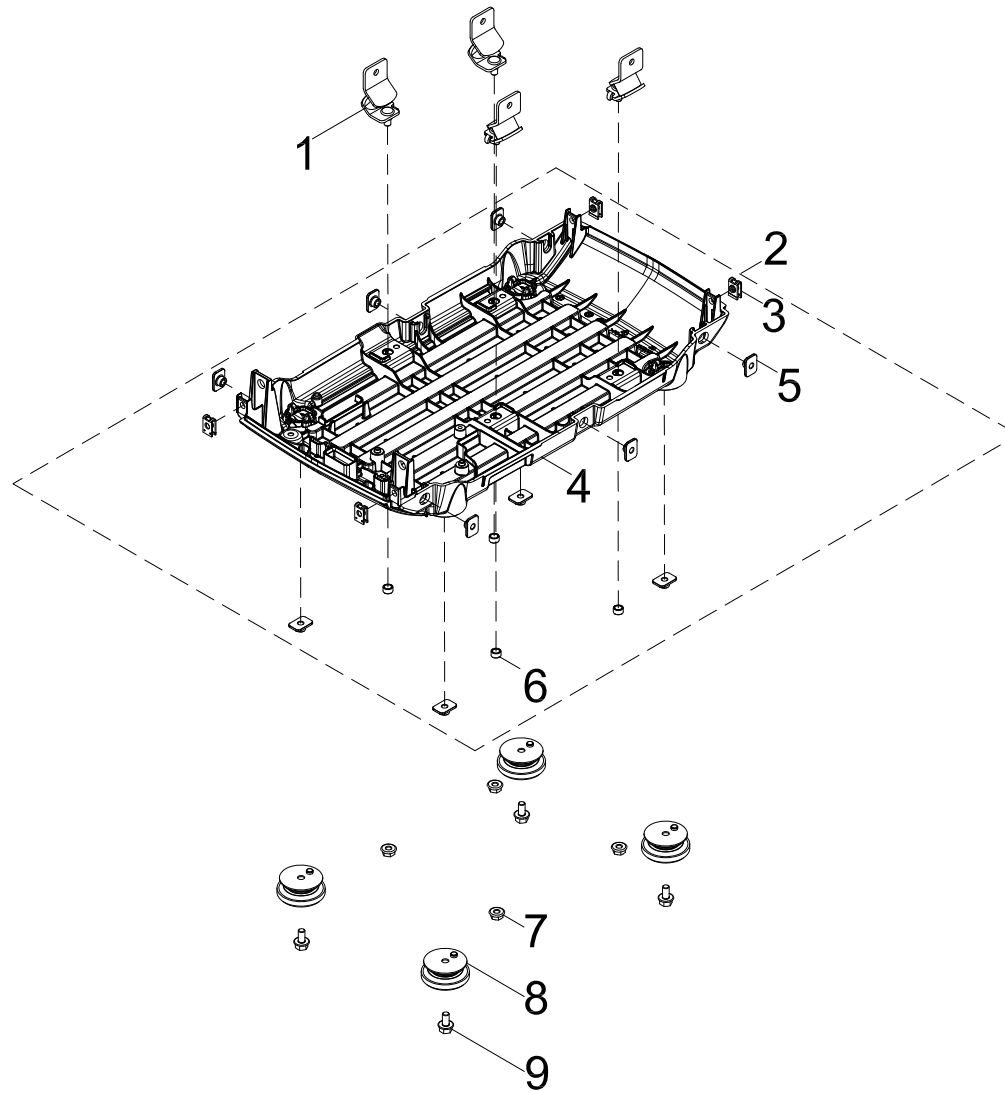


Figure G



**HOUSING ASSEMBLY PARTS LIST**

#	Part Number	Description	Qty.
1	100072715	Vibration Mount, Support	4
2	100716663	Housing Assembly, Bottom, Black	1
3	100050562	Threaded Clamp	4
4	100716665	Housing, Bottom, Black	1
5	100072994	Step Nut M6	10
6	100716706	Bushing, Ø9 x Ø6.6 x 5	4
7	100011452-0003	Nut M6	4
8	100718915	Foot, Bottom Housing	4
9	100011261-0004	Flange Bolt M6 x 12	4

# WIRING DIAGRAM

