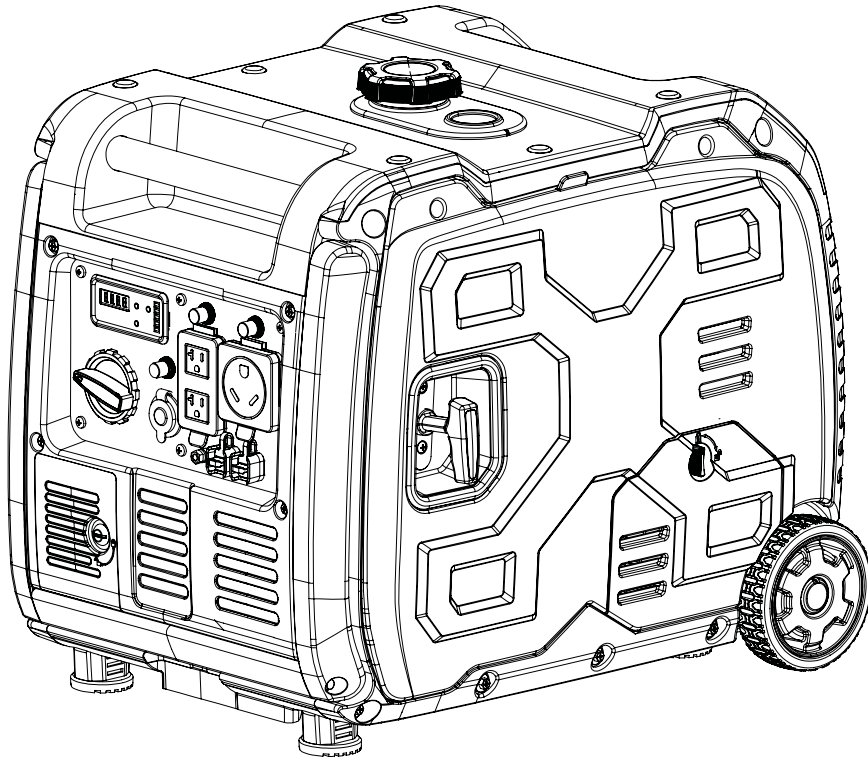


Champion Power Equipment, Inc.

MODEL #201444



PARTS INFORMATION

5500W PORTABLE INVERTER GENERATOR

SERIAL NUMBER RANGE: ALL



To order replacement parts please visit:
shop.championpowerequipment.com
or call **1-877-338-0999**.

TABLE OF CONTENTS

Inverter Generator Parts Diagram	3
Inverter Generator Parts List	4
Engine Parts Diagram	6
Engine Parts List	7
Cylinder Head Parts Diagram	9
Cylinder Head Parts List	10
Carburetor Parts Diagram	11
Carburetor Parts List	12
Frame Assembly Parts Diagram	13
Frame Assembly Parts List	14
Fuel Tank Parts Diagram	15
Fuel Tank Parts List	16
Control Panel Parts Diagram	17
Control Panel Parts List	18
Wheel Kit Parts Diagram	19
Wheel Kit Parts List	20
Wiring Diagram	21

INVERTER GENERATOR PARTS DIAGRAM

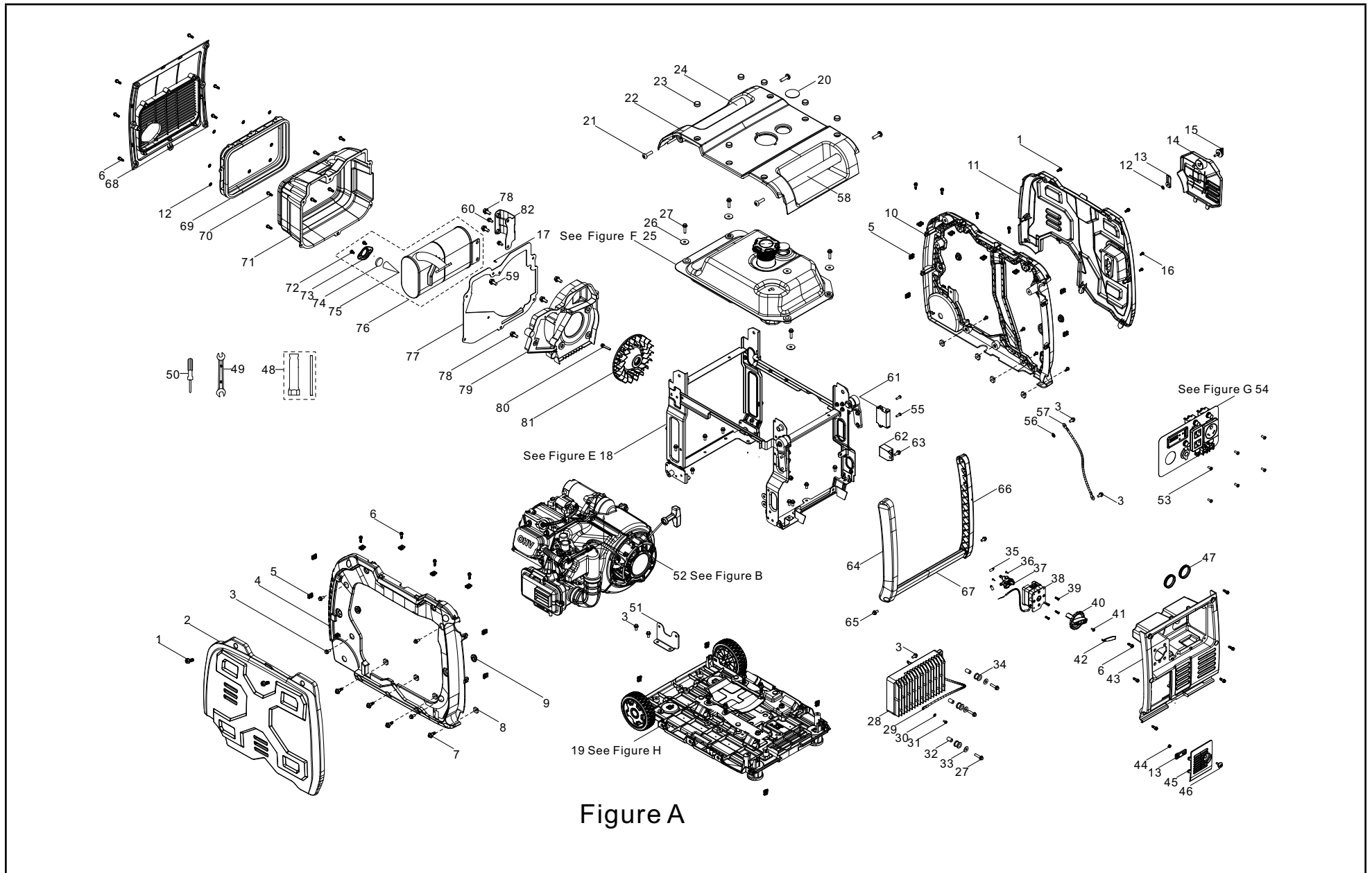


Figure A

INVERTER GENERATOR PARTS LIST

#	Part Number	Description	Qty.
1	90208-000004	M5 x 12 Hex Step Bolt, Blk Zn	4
2	80092-000035	Left Cover Board	1
3	90001-000018	M6 x 12 Hex Flange Bolt, White Zn	22
4	80091-000001	Left Shell	1
5	17199-000003	M5 Clip Nut, White Zn	20
6	90208-000005	M5 x 16 Hex Step Bolt, Blk Zn	20
7	90208-000003	M6 x 20 Hex Step Bolt, Blk Zn	8
8	90326-000001	M6 Square Nut, White Zn	8
9	16601-000005	Vibration Mount, Fuel Tank, Ø13 x 17	4
10	80095-000002	Right Shell	1
11	80096-000034	Right Cover Board	1
12	37073-000001	Spring Clip	9
13	24329-000002	Block	2
14	51197-000012	Side Access Panel, Service	1
15	80105-000002	Knob, Side Access Panel, Service	1
16	90103-000012	M5 x 12 Cross Recess Pan Head Screw, Blk Zn	2
17	90124-000002	Screw, PT4 x 13, Blk Zn	1
18	96103-Y51100-0020	Frame Assy - See Figure E	1
19	96107-Z44110-0002	Wheel Assy - See Figure H	1
20	37205-000001	Fuel Lever View, Fuel Gauge	1
21	90115-000001	M8 x 30 Flange Bolt, Blk Zn	4
22	94230-000001	Cover, Upper	1
23	90722-000005	Plug, End	6
24	80153-000002	Handle, Ø28 x 332	1
25	96104-Y16620-0012	Fuel Tank Assy - See Figure F	1
26	90408-000010	Flat Washer, Ø6.2 x Ø25 x 2, White Zn	4
27	90001-000026	M6 x 25 Hex Flange Bolt, White Zn	7
28	30043-000036	Inverter, 3.8KW/120V/60Hz	1
29	30009-000011	Grounding Wire	1

#	Part Number	Description	Qty.
30	90408-000003	Flat Washer, Ø5, White Zn	1
31	90005-000001	M4 x 8 Hex Screw, White Zn	1
32	90683-000003	Bushing, Ø11 x 7 x 16	3
33	90406-000002	Flat Washer, Ø6.4 x Ø18 x 1.6, White Zn	3
34	30431-000003	Rubber Sleeve, Ø10 x Ø19 x 16	3
35	90685-000013	Clamp, Ø8.5 x 8 x 0.6	2
36	90255-000001	M4 x 10 Screw & Washer Assy, White Zn	2
37	16750-000010	Fuel Valve Assy	1
38	35160-000023	Engine Switch	1
39	90129-000002	Self Tapping Screw, ST4.2 x 16, White Zn	4
40	35643-000017	Knob, Switch Dial, Engine	1
41	90103-000006	M4 x 16 Cross Recess Pan Head Screw, White Zn	1
42	82007-000005	Decorative Covers	1
43	35680-000031	Housing, Panel	1
44	90341-000002	M5 Nylon Nut, Blk,Zn	1
45	31123-000002	Cover, Battery	1
46	90208-000002	M5 x 16 Hex Step Bolt, 6mm	1
47	30431-000015	Rubber Sleeve, Ø38 x Ø51 x 9	2
48	93130-000005	Spark Plug Socket	1
49	93107-000004	Wrench, 8 - 10, White Zn	1
50	93120-000001	Screwdriver	1
51	17003-000001	Air Cleaner Support	1
52	96100-225VI000-02	Engine - See Figure B	1
53	90255-000003	M5 x 12 Screw & Washer Assy, Blk Zn	6
54	35610-000170	Control Panel Assy - See Figure G	1
55	90103-000013	M5 x 16 Cross Recess Pan Head Screw, White Zn	2
56	90415-000001	Lock Washer, Toothed, Blk Zn	1
57	30009-000007	Grounding Wire	1

#	Part Number	Description	Qty.
58	80153-000001	Handle, Ø28 x 273	1
59	90007-000018	M6 x 35 Hex Flange Bolt, White Zn	1
60	90007-000007	M6 x 12 Hex Flange Bolt, White Zn	2
61	35720-000003	CO Sensor	1
62	30060-000025	Rectifier	1
63	90001-000022	M6 x 16 Hex Flange Bolt, White Zn	1
64	54912-000002	Left, Rotating Arm	1
65	90001-000019	M6 x 12 Hex Flange Bolt, Blk Zn	2
66	54912-000003	Left, Rotating Arm	1
67	54913-000002	Rotating Bar	1
68	18002-000013	Louver, Muffler	1
69	18018-000003	Insulator Glue Cushion, Muffler	1
70	90208-000004	M5 x 12 Hex Step Bolt, Blk Zn	6
71	18130-000005	Muffler Guard	1
72	18012-000003	M5 x 10 Bolt, Spark Arrestor	2
73	18213-000004	Cover Plate, Spark Arrestor	1
74	18218-000004	Muffling Block	1
75	18250-000014	Spark Arrestor	1
76	18100-000049	Muffler Assy	1
77	18299-000005	Bracket, Muffler Guard	1
78	90001-000040	M8 x 16 Hex Flange Bolt, White Zn	5
79	28110-000043	Shroud	1
80	90001-000042	M8 x 20 Hex Flange Bolt, White Zn	1
81	19352-000021	Cooling Fan, Inverter	1
82	18030-000009	Muffler Bracket	1

ENGINE PARTS DIAGRAM

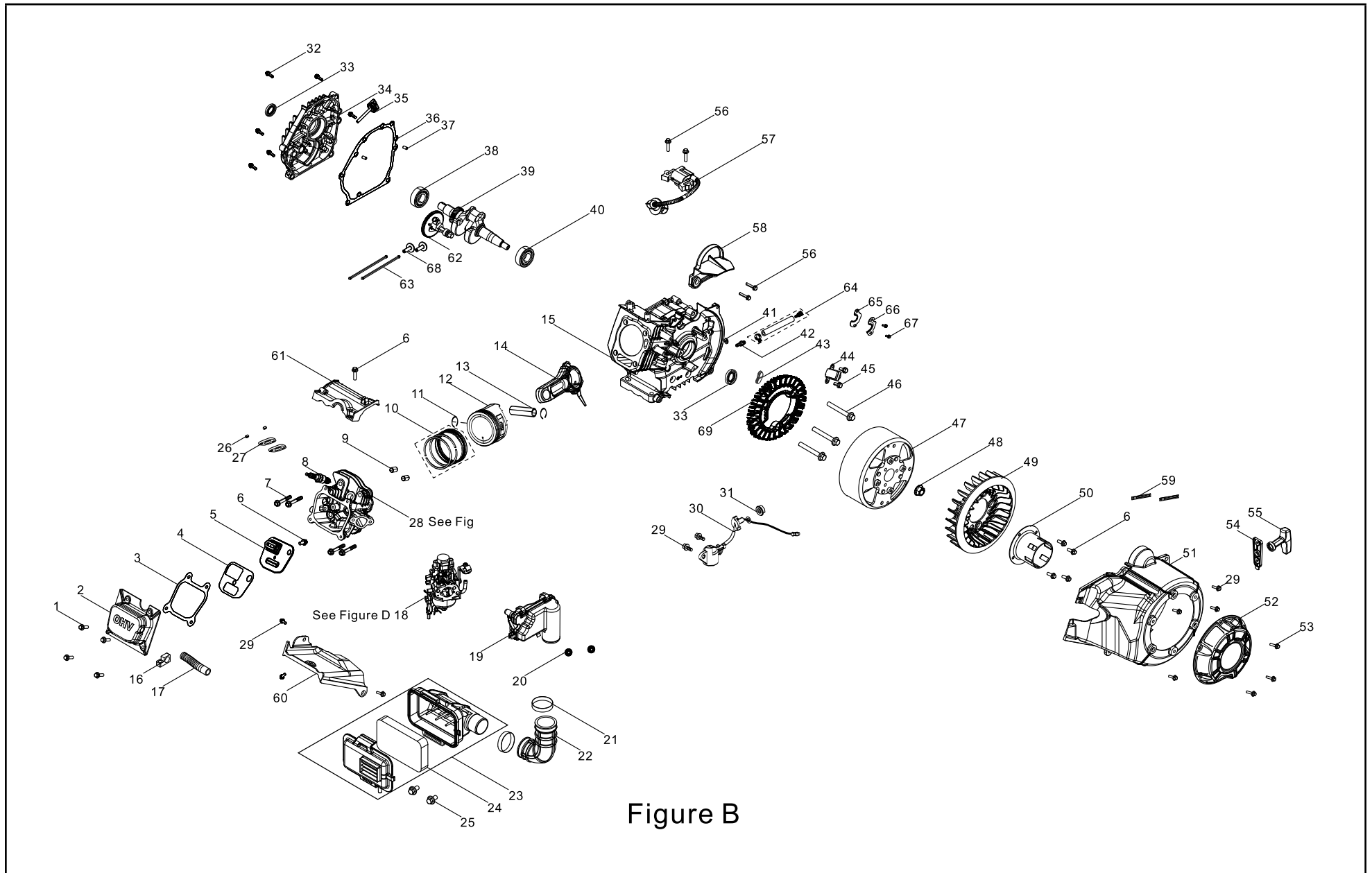


Figure B

ENGINE PARTS LIST

#	Part Number	Description	Qty.
1	90001-000024	M6 x 20 Hex Flange Bolt, White Zn	4
2	12410-000006	Cylinder Head Cover Assy	1
3	12004-000010	Cylinder Head Cover Gasket	1
4	11332-000001	Gasket, Breath Groove Cover	1
5	11320-000002	Piece, Breath	1
6	90001-000018	M6 x 12 Hex Flange Bolt, White Zn	6
7	12003-000001	M8 x 60 Cylinder Head Bolt, White Zn	4
8	30010-000001	Spark Plug, F6RTC	1
9	90502-000007	Pin, Ø11 x 14	2
10	13200-000018	Piston Ring Assy	1
11	13122-000001	Piston Pin Clip	2
12	13111-000010	Piston	1
13	13121-000001	Piston Pin, Ø18 x Ø14 x 54	1
14	13010-000015	Connecting Rod	1
15	11310-000035	Crankcase Assy	1
16	90804-000001	Stop Block	1
17	17004-000014	Breather Tube	1
18	96105-Z16100-0020	Carburetor Assy - See Figure D	1
19	17400-000002	Air Cleaner, Auxiliary	1
20	90305-000007	M6 Hex Flange Nut, White Zn	2
21	12081-000001	Clamp 1	2
22	12510-000001	Inlet Pipe	1
23	17100-000017	Air Cleaner	1
24	17151-000005	Air Cleaner Element	1
25	90001-000026	M6 x 25 Hex Flange Bolt, White Zn	2
26	90303-000005	M8 Hex Nut, White Zn	2
27	18001-000011	Exhaust Outlet Gasket	2
28	96101-Z120410-0023	Cylinder Head Assy - See Figure C	1
29	90001-000022	M6 x 16 Hex Flange Bolt, White Zn	9
30	37060-000009	Engine oil Sensor	1

#	Part Number	Description	Qty.
31	90305-000014	M10 Hex Flange Nut, White Zn	1
32	90001-000047	M8 x 32 Hex Flange Bolt, White Zn	6
33	90682-000002	Oil Seal, Ø25 x Ø41.25 x 6	2
34	11411-000006	Crankcase Cover	1
35	15010-000001	Oil Dipstick Assy	1
36	11001-000001	Crankcase Gasket	1
37	90502-000002	Pin, Ø8 x 12	2
38	90547-000017	Bearing, 6205	1
39	13300-000042	Crankshaft Assy	1
40	90547-000018	Bearing, 6305	1
41	90408-000021	Flat Washer, Ø10 x Ø15.8 x 1.5	1
42	90689-000003	Fuel Tube Joint, White Zn	1
43	90722-000025	Plug, End	1
44	30130-000004	Trigger	1
45	90001-000007	M5 x 16 Hex Flange Bolt, White Zn	2
46	90001-000037	M6 x 55 Hex Flange Bolt, White Zn	3
47	30110-000017	Rotor Component	1
48	13501-000001	Flywheel Nut, M14 x 1.5, White Zn	1
49	19352-000020	Cooling Fan, Engine	1
50	28002-000016	Starter Pulley	1
51	28110-000042	Shroud	1
52	28200-000035	Recoil Starter Assy	1
53	90251-000001	M6 x 8 Bolts and Washer Assy, Blk Zn	3
54	28004-000005	Guide Plate, Starter Rope	1
55	28210-000004	Handle, Starter Rope	1
56	90001-000026	M6 x 25 Hex Flange Bolt, White Zn	4
57	30400-000042	Ignition Coil	1
58	28118-000007	Block	1
59	90684-000003	Clip, 100 mm	2
60	19309-000001	Right Shield, Crankcase	1

#	Part Number	Description	Qty.
61	16675-000002	Shield	1
62	14200-000012	Camshaft Assy	1
63	14071-000006	Valve Lifter	2
64	11011-000001	Oil Drain Hose, Ø9.5 x Ø17 x 105	1
65	54066-000004	Wiring Clamp, White Zn	1
66	30002-000001	Magneto Wiring Clamp	1
67	90001-000008	M5 x 20 Hex Flange Bolt, White Zn	2
68	14081-000002	Valve Tappet	2
69	30120-000038	Stator Component, Ø152 x 45	1

CYLINDER HEAD PARTS DIAGRAM

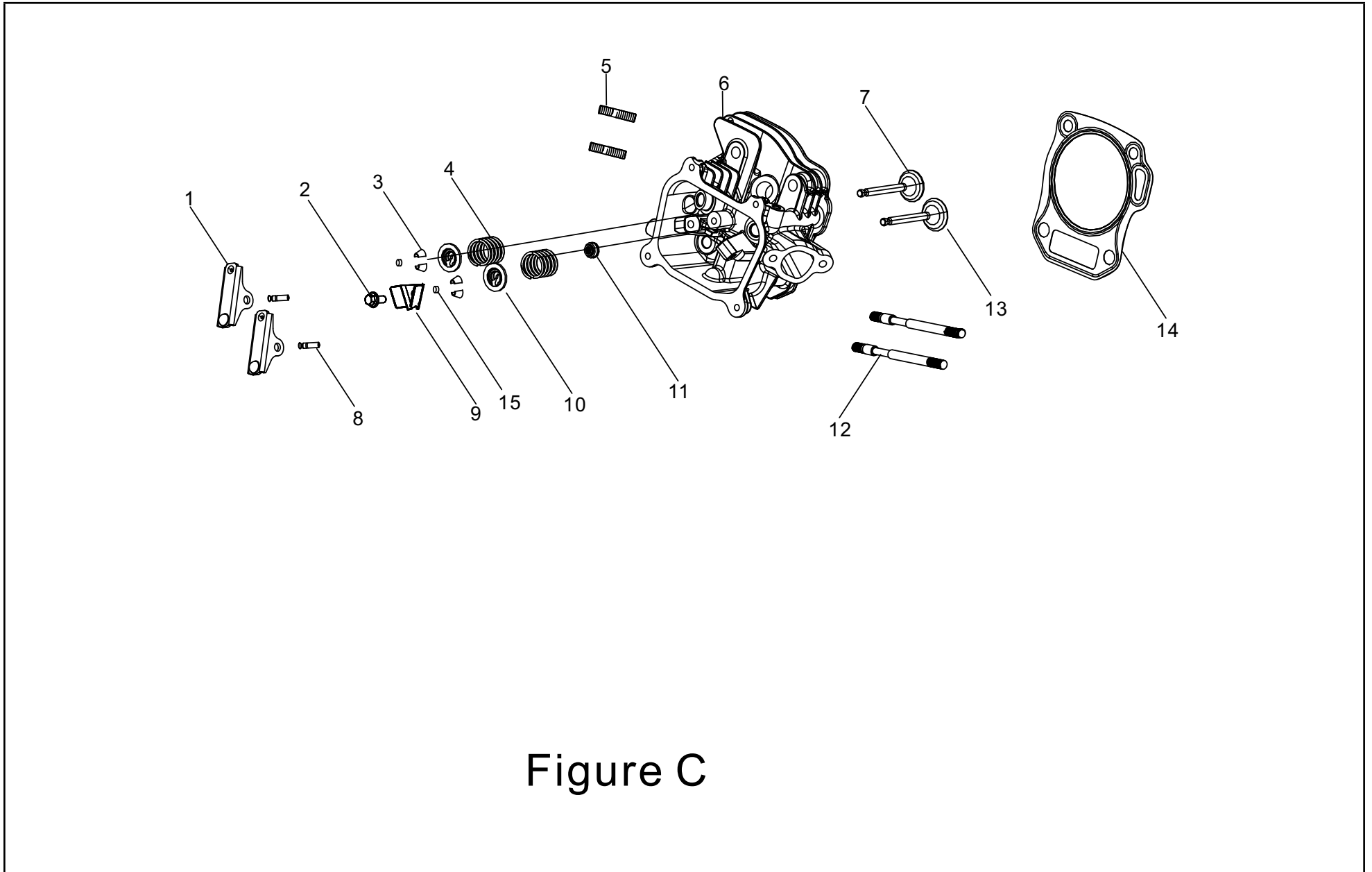


Figure C

CYLINDER HEAD PARTS LIST

#	Part Number	Description	Qty.
1	14310-00008	Valve Rocker Assy	2
2	90001-000018	M6 x 12 Hex Flange Bolt, White Zn	1
3	12109-000004	Valve Lock Clamp	4
4	12103-000010	Valve Spring	2
5	90203-000001	M8 x 34 Stud, Blk Zn	2
6	12140-000027	Cylinder Head Assy	1
7	12121-000018	Exhaust Valve	1
8	14318-000007	Valve Rocker Shaft Assy	2
9	12419-000002	Pin Plate, Cylinder Head Cover	1
10	12112-000008	Valve Spring Retainer	2
11	12101-000003	Seal Guide	1
12	90207-000002	M6 x 105 Stud, Blk Zn	2
13	12111-000016	Inlet Valve	1
14	12131-000009	Cylinder Head Gasket	1
15	12104-000003	Valve Rotator	2

CARBURETOR PARTS DIAGRAM

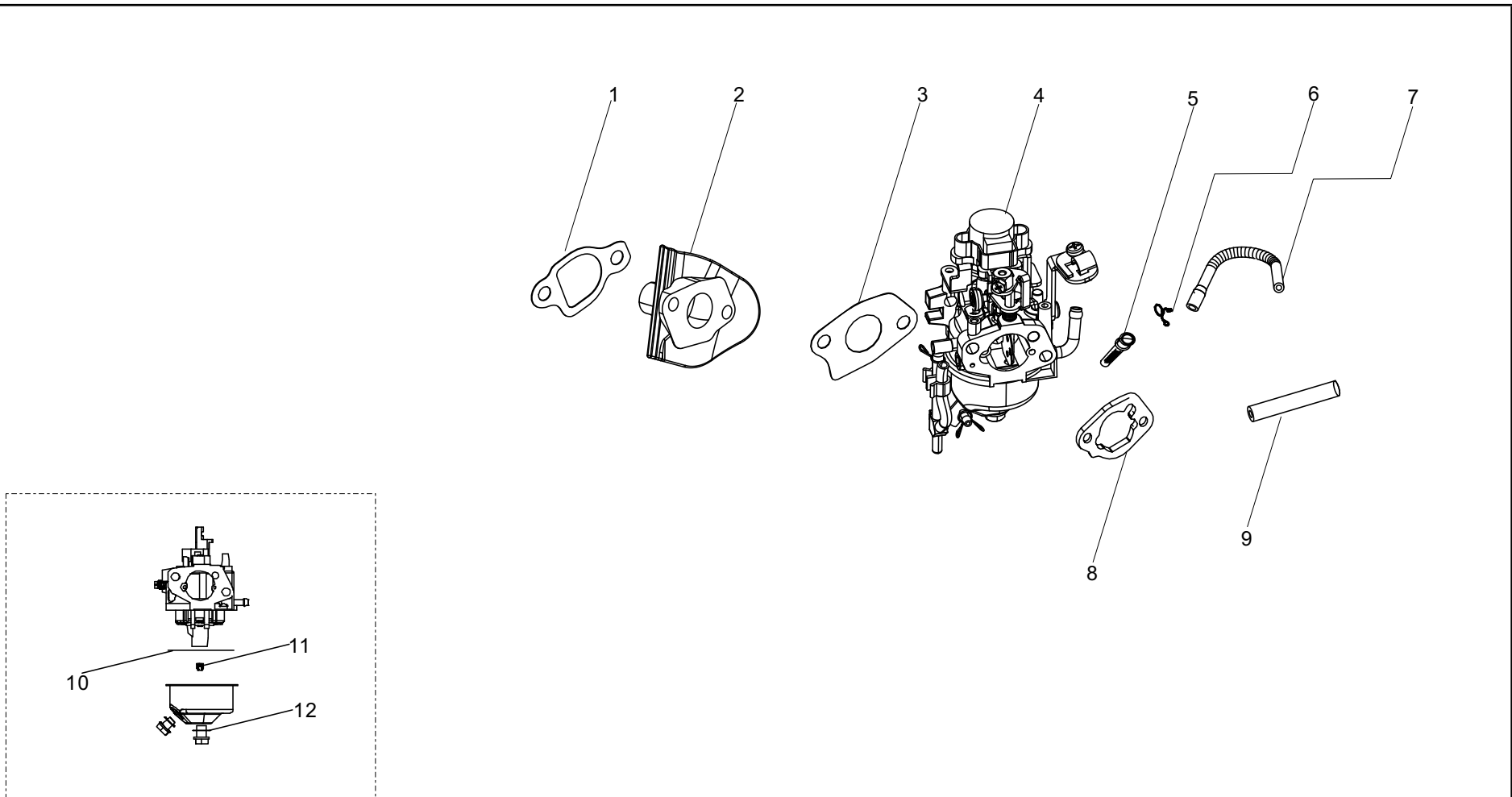


Figure D

CARBURETOR PARTS LIST

#	Part Number	Description	Qty.
1	16002-000006	Carburetor Insulator Gasket	1
2	16003-000007	Carburetor Insulator Plate	1
3	16001-000001	Carburetor Gasket	1
4	16100-000078	Carburetor Assy	1
5	16652-000016	Fuel Filter	1
6	90685-000002	Clamp, Ø9 x Ø0.8 x 8, Army Green Zn	1
7	90686-000055	Tube, Ø4.5 x Ø8.5 x 310	1
8	17001-000007	Air Cleaner Gasket	1
9	30431-000011	Rubber Sleeve, Ø10 x Ø11 x 180	1
10	16112-000001	Seal Ring, Float	1
11	16161-000096	Main Jet(H128×0.67)	1
	16161-000097	Main Jet(H128×0.70), Altitude 3000-6000 Feet	/
	16161-000087	Main Jet(H128×0.73), Altitude 6000-8000 Feet	/
12	90681-000004	Seal Ring	1

FRAME ASSEMBLY PARTS DIAGRAM

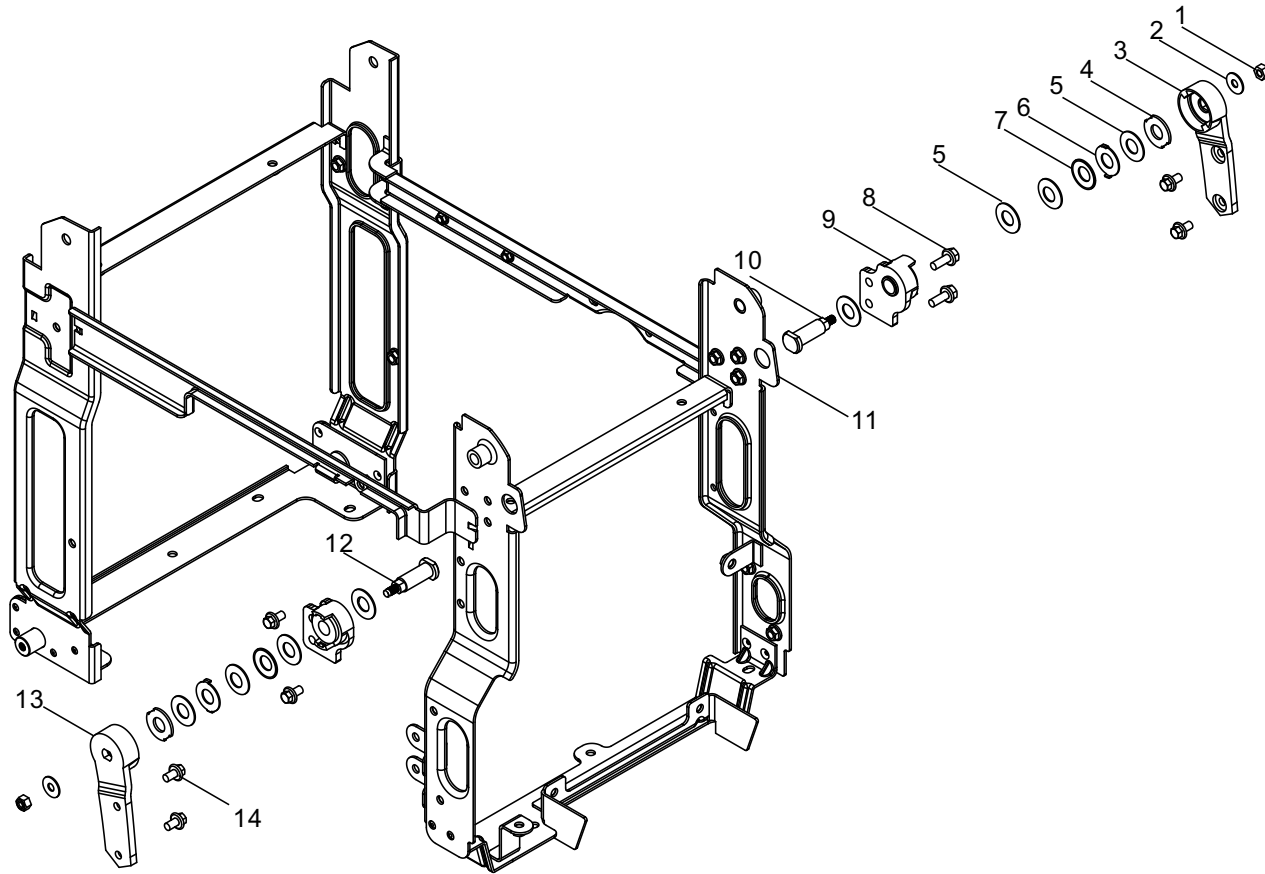


Figure E

FRAME ASSEMBLY PARTS LIST

#	Part Number	Description	Qty.
1	90341-000001	M6 Nylon Nut, White Zn	2
2	90408-000015	Flat Washer, Ø18 x 6.5 x 1.5, White Zn	2
3	54122-000002	Handle Tube Connecting 2, Right Seat	1
4	90412-000001	Flat Washer, Ø12.2 x Ø27 x 2	2
5	90412-000002	Flat Washer, Ø13 x Ø25 x 1	6
6	42017-000001	Lock Washer, Ø12.2	2
7	90419-000002	Washer, Butterfly, Blk Zn	4
8	90007-000011	M6 x 16 Hex Flange Bolt, White Zn	4
9	54113-000006	Handle Tube Connecting 1, Right Seat	1
10	26231-000001	Shaft, Fixed Axis, Blk Zn	2
11	51100-000060	Frame Assy	1
12	54113-000005	Handle Tube Connecting 1, Left Seat	1
13	54122-000001	Handle Tube Connecting 2, Left Seat	1
14	90001-000017	M6 x 10 Hex Flange Bolt, Blk Zn	4

FUEL TANK PARTS DIAGRAM

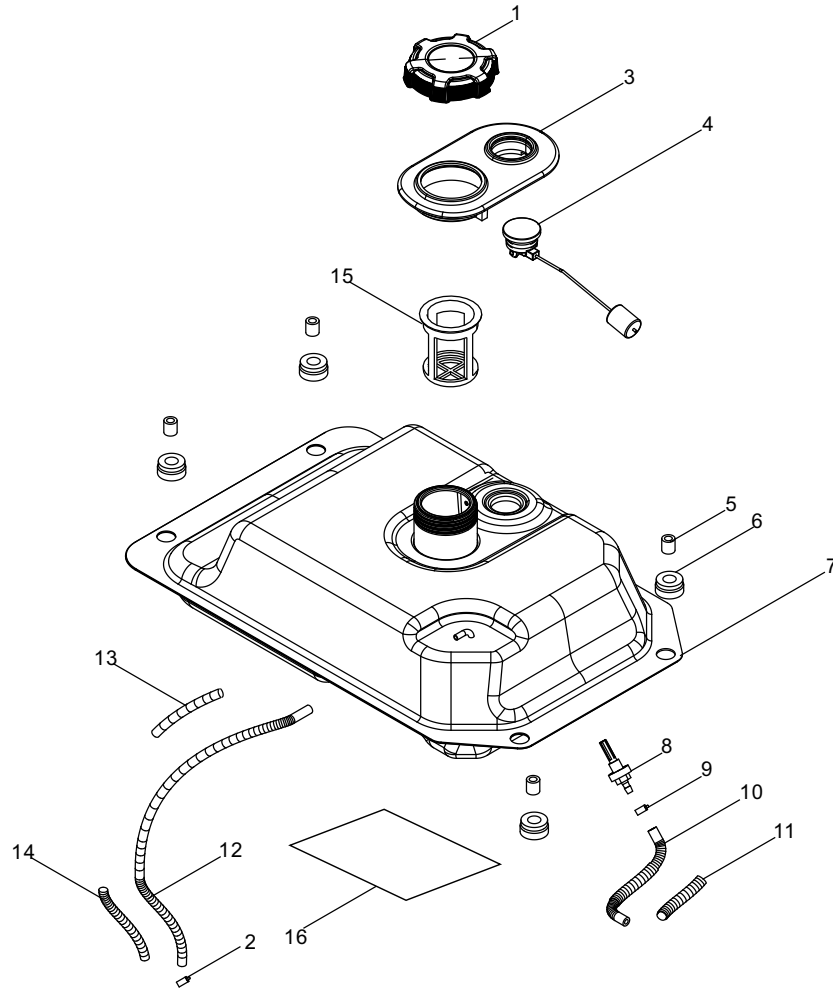


Figure F

FUEL TANK PARTS LIST

#	Part Number	Description	Qty.
1	16730-000011	Fuel Tank Cap	1
2	90685-000010	Clamp, Ø10.5 x 0.8 x 8, Army Green Zn	1
3	16641-000002	Rubber Sleeve, Filling Oil Hole	1
4	37200-000006	Fuel Gauge	1
5	90683-000001	Bushing, White Zn	4
6	16601-000001	Vibration Mount, Fuel Tank	4
7	16620-000005	Fuel Tank	1
8	16680-000001	Fuel Tank Oil Outlet Assy	1
9	90685-000007	Clamp, Ø9.5 x 0.8 x 8, Army Green Zn	1
10	90686-000056	Tube, Ø4.5 x Ø8.5 x 130	1
11	30431-000001	Rubber Sleeve, Fuel Tube	1
12	16804-000014	Connection Tube, Ø4.5 x Ø8.5 x 375	1
13	30431-000010	Rubber Sleeve, Fuel Tube, Ø10 x Ø11 x 180	1
14	30431-000029	Rubber Sleeve, Fuel Tube, Ø11.5 x Ø13 x 100	1
15	16652-000004	Fuel Filter	1
16	82153-000008	Scald Resistant Film	1

CONTROL PANEL PARTS DIAGRAM

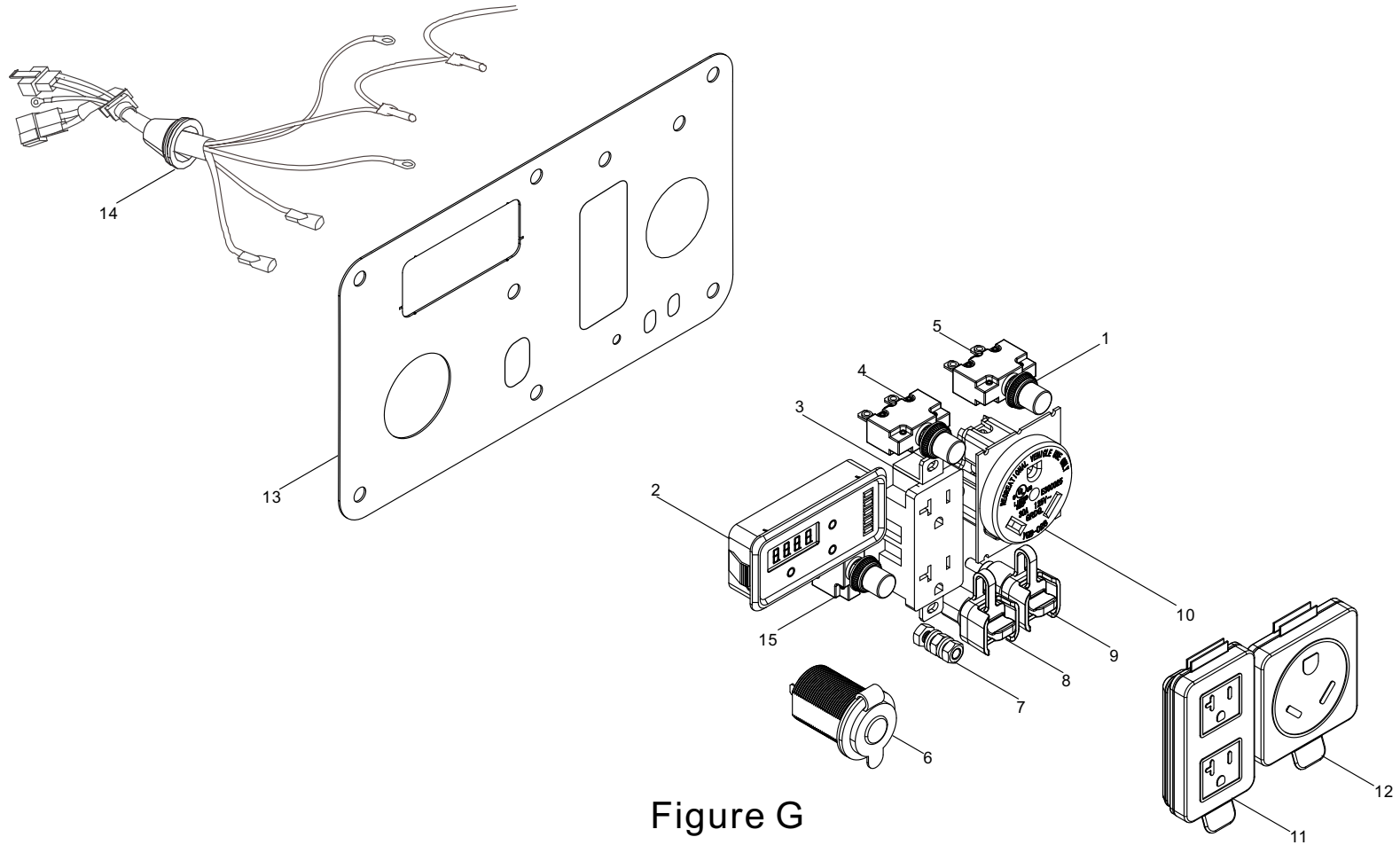


Figure G

CONTROL PANEL PARTS LIST

#	Part Number	Description	Qty.
1	35654-000005	Cover, Push Button	3
2	35632-000023	Intelligauge, INT5CINV	1
3	35614-000017	TT-30R Receptacle, 20A, 125V	1
4	31234-000003	20Amp Circuit Breaker, Push Button	2
5	31234-000007	30Amp Circuit Breaker, Push Button	1
6	35619-000003	Automotive Receptacle, 12V DC	1
7	35629-000001	Grounding Terminal	1
8	35614-000019	Wireless Parallel, Receptacle, 50A, 1000V, Red Cover	1
9	35614-000020	Wireless Parallel, Receptacle, 50A, 1000V, Blk Cover	1
10	35614-000007	TT-30R Receptacle, 30A, 125V	1
11	35654-000013	Receptacle Cover, 5-20R	1
12	35654-000011	Receptacle Cover, TT-30R	1
13	35650-000058	Control Panel	1
14	35660-000067	Wire Harness, Control Panel	1
15	31234-000002	8Amp Circuit Breaker, Push Button	1

WHEEL KIT PARTS DIAGRAM

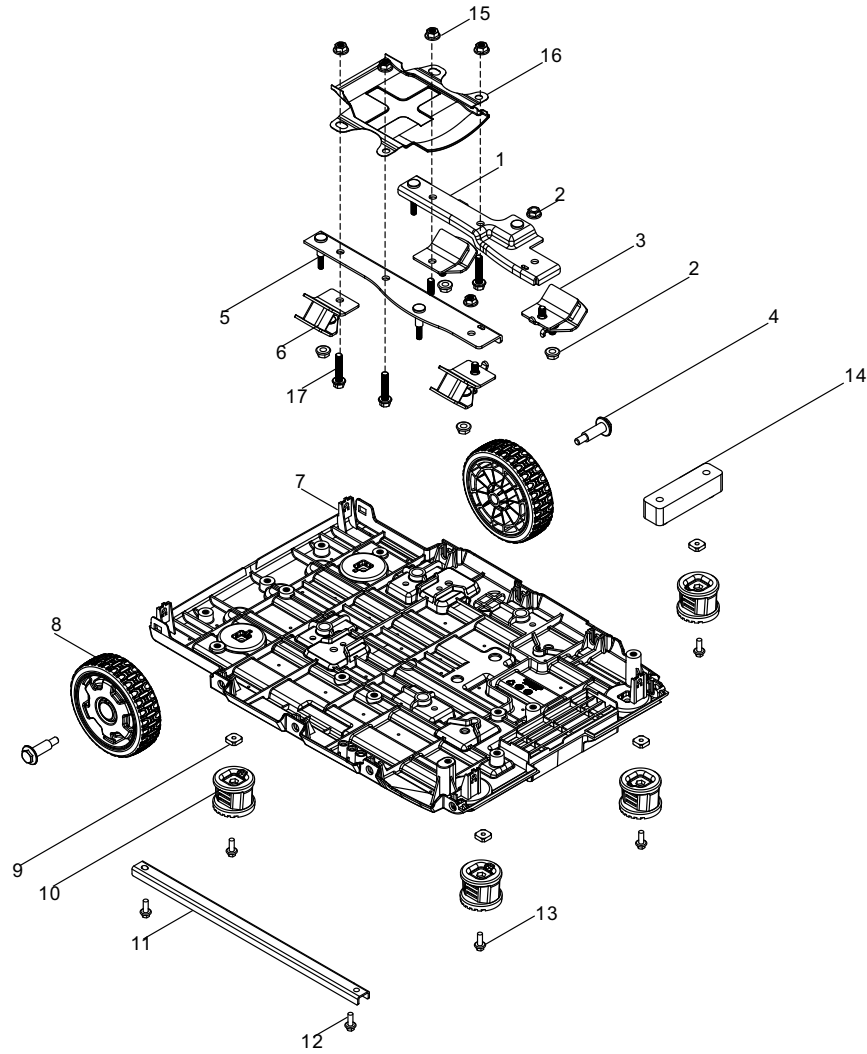


Figure H

WHEEL KIT PARTS LIST

#	Part Number	Description	Qty.
1	51189-000003	Right Support, Engine	1
2	90305-000010	M8 Hex Flange Nut, White Zn	6
3	51009-000001	Vibration Mount, Left, Frame	2
4	42002-000002	Roll Pin, Blk Zn	2
5	51188-000003	Left Support, Engine	1
6	51011-000003	Vibration Mount, Right, Frame	2
7	51143-000011	Plate, Bottom	1
8	44110-000001	5in. Wheel, Yellow	2
9	90326-000001	M6 Square Nut, White Zn	4
10	51014-000007	Support Leg	4
11	51103-000002	Reinforcing Plate	1
12	90001-000018	M6 x 12 Hex Flange Bolt, White Zn	2
13	90001-000022	M6 x 16 Hex Flange Bolt, White Zn	4
14	50035-000003	Bracket, Cushion Rubber	1
15	90305-000010	M8 Hex Flange Nut, White Zn	4
16	19306-000005	Crankcase Air Deflector, White Zn	1
17	90001-000050	M8 x 40 Hex Flange Bolt, White Zn	4

WIRING DIAGRAM

