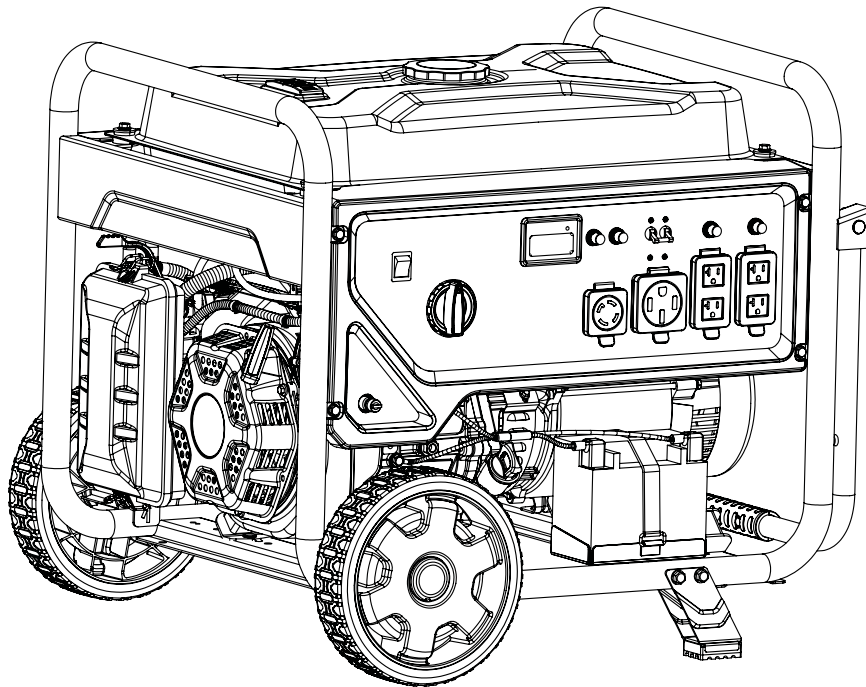




Champion Power Equipment, Inc.

MODEL #201460



PARTS INFORMATION

8000W DUAL FUEL ELECTRIC START GENERATOR

SERIAL NUMBER RANGE: ALL



To order replacement parts please visit:
shop.championpowerequipment.com
or call **1-877-338-0999**.

TABLE OF CONTENTS

Generator Parts Diagram	3
Generator Parts List	4
Engine Parts Diagram	5
Engine Parts List	6
Cylinder Head Parts Diagram	8
Cylinder Head Parts List	9
Carburetor Parts Diagram	10
Carburetor Parts List	11
Alternator Parts Diagram	12
Alternator Parts List	13
Fuel Tank Parts Diagram	14
Fuel Tank Parts List	15
Control Panel Parts Diagram	16
Control Panel Parts List	17
Frame Assembly Parts Diagram	18
Frame Assembly Parts List	19
Wiring Diagram	20

GENERATOR PARTS DIAGRAM

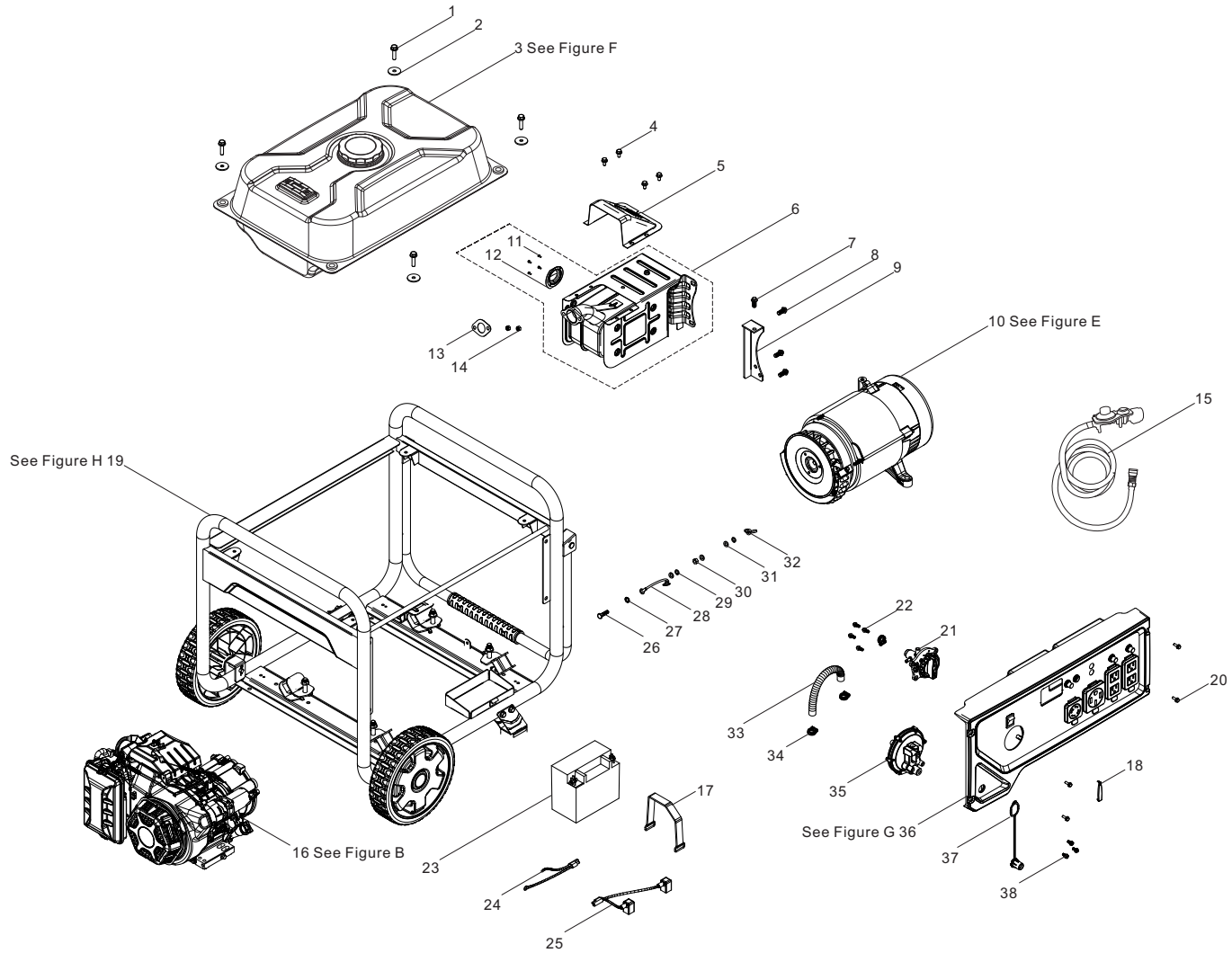


Figure A

GENERATOR PARTS LIST

#	Part Number	Description	Qty.
1	90007-000024	Hex Flange Bolt, M6 x 25, Blk Zn	4
2	90408-000008	Flat Washer, Ø6, Blk Zn	4
3	96104-Y16620-0021	Fuel Tank Assy - See Figure F	1
4	90007-000008	Hex Flange Bolt, M6 x 12, Blk Zn	4
5	80019-000002	Guide Hood, Muffler	1
6	18100-000015	Muffler Assy	1
7	90001-000040	Hex Flange Bolt, M8 x 16, White Zn	2
8	90001-000041	Hex Flange Bolt, M8 x 16, Blk Zn	2
9	18030-000007	Muffler Bracket, White Zn	1
10	96114-Y31300-0019	Alternator Assy - See Figure E	1
11	90139-000001	Hex Flange Bolt, M5 x 10, White Zn	4
12	18250-000005	Spark Arrestor	1
13	18101-000005	Exhaust Outlet Gasket	1
14	90303-000004	Hex Nut, M8, Blk Zn	2
15	77300-000003	LPG Hose with Regulator	1
16	96100-460DVN00-01	Engine - See Figure B	1
17	31115-000002	Band, Battery, 220 x 20 x 3.5	1
18	82007-000005	Decorative Covers	1
19	96103-Y51100-0028	Frame Assy - See Figure H	1
20	90007-000012	Hex Flange Bolt, M6 x 16, Blk Zn	4
21	16750-000027	Fuel Valve Assy	1
22	90124-000003	Self Tapping Screw, PT5 x 16, White Zn	4
23	31110-000004	Battery,12V/14Ah, 150 x 85 x 130	1
24	31114-000006	DC Wire Harness, Engine	1
25	31112-000015	DC Wire Harness, Battery	1
26	90001-000027	Hex Flange Bolt, M6 x 25, Blk Zn	1

#	Part Number	Description	Qty.
27	90415-000001	Lock Washer, Toothed, Blk Zn	1
28	30009-000002	Grounding Wire	1
29	90403-000003	Spring Washer, Ø6, Blk Zn	2
30	90303-000003	Hex Nut, M6, Blk Zn	1
31	90408-000006	Flat Washer, Blk Zn	3
32	90312-000001	Wing Nut, M6, Blk Zn	1
33	90729-000005	Vent Hose, Ø9.5 x Ø16.8 x 250	1
34	90748-000002	Clamp, 10-16	3
35	77100-000006	LPG Regulator	1
36	35610-000176	Control Panel Assy - See Figure G	1
37	16287-000001	Dust Cap	1
38	90134-000001	Bolt, Cross Hex Pan Head, M5 x 12	3

ENGINE PARTS DIAGRAM

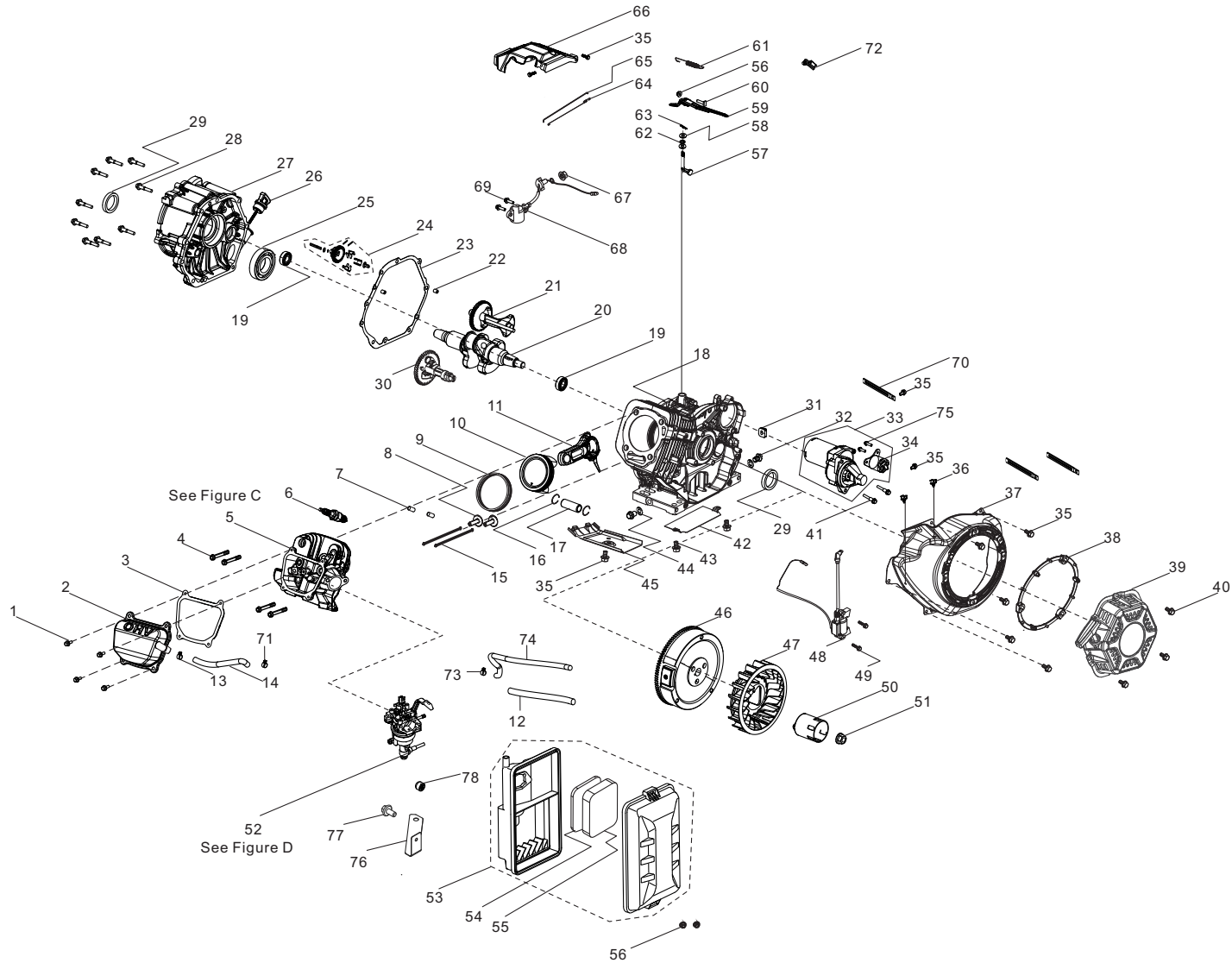


Figure B

ENGINE PARTS LIST

#	Part Number	Description	Qty.
1	90001-000018	Hex Flange Bolt, M6 x 12, White Zn	4
2	12410-000019	Cylinder Head Cover, White Zn	1
3	12004-000019	Cylinder Head Cover Gasket	1
4	12003-000006	Cylinder Head Bolt, M10 x 85, White Zn	4
5	96101-Z120410-0012	Cylinder Head - See Figure C	
6	30010-000002	Spark Plug, F6RTC	1
7	90502-000008	Pin, Ø12 x 20	2
8	14081-000003	Valve Tappet	2
9	13200-000005	Piston Ring Assy	1
10	13111-000013	Piston	1
11	13010-000009	Connecting Rod	1
12	30431-000019	Rubber Sleeve, Ø13 x Ø11.5 x 180	1
13	90685-000014	Clamp, Ø17 x 1.4, White Zn	1
14	17004-000008	Tube, Breather, Ø12.5 X Ø16 x 108	1
15	14070-000001	Valve Lifter, Ø6 x 191	2
16	13122-000002	Piston Pin Clip	2
17	13121-000004	Piston Pin	1
18	11310-000020	Crankcase Assy	1
19	90547-000019	Bearing, 6202	2
20	13300-000037	Crankshaft Assy	1
21	13401-000001	Balancing Shaft	1
22	90502-000002	Pin, Ø8 x 12	2
23	11001-000002	Crankcase Gasket	1
24	16400-000004	Governor Gear Assy	1
25	90547-000014	Bearing, 6208	1
26	15010-000009	Oil Dipstick	1
27	11411-000002	Crankcase Cover	1
28	90001-000051	Hex Flange Bolt, M8 x 40, Blk Zn	9
29	90682-000005	Oil Seal, Ø52 x Ø40 x 9	2
30	14200-000001	Camshaft Assy	1

#	Part Number	Description	Qty.
31	28101-000001	Plug, Rubber	1
32	11007-000004	Drain Plug Bolt, M12 x 18, Blk Zn	2
33	09100-000001	Starter Motor	1
34	30500-000001	Starting relay, Starter Motor	1
35	90001-000019	Hex Flange Bolt, M6 x 12, Blk Zn	10
36	90685-000017	Clamp	2
37	28110-000026	Cover, Cooling Fan	1
38	28261-000004	Retainer Ring, Recoil Starter	1
39	28200-000023	Recoil Starter Assy	1
40	90001-000025	Hex Flange Bolt, M6 x 20, Blk Zn	3
41	90001-000049	Hex Flange Bolt, M8 x 35, White Zn	2
42	19306-000001	Air Deflector, Crankcase, White Zn	1
43	90001-000017	Hex Flange Bolt, M6 x 10, Blk Zn	2
44	90412-000003	Washer, Ø21 x Ø12 x 2	2
45	19304-000004	Cylinder Body Shroud	1
46	13510-000026	Flywheel Assy	1
47	19352-000007	Cooling Fan, Engine	1
48	30400-000003	Ignition Coil	1
49	90001-000028	Hex Flange Bolt, M6 x 28, White Zn	2
50	28002-000003	Starter Pulley, White Zn	1
51	13501-000002	Flywheel Nut, M16 x 1.5, White Zn	1
52	96105-Z16100-0026	Carburetor Assy - See Figure D	1
53	17100-000033	Air Cleaner Assy	1
54	17151-000001	Element 1, Air Cleaner	1
55	17151-000002	Element 2, Air Cleaner	1
56	90305-000008	Hex Flange Nut, M6, Blk Zn	3
57	16061-000003	Governor Arm	1
58	90412-000004	Washer, Ø8.4 x Ø19.5 x 0.8	2
59	16070-000004	Governor Support Assy, White Zn	1
60	16072-000003	Governor Support Bolt, M6 x 21, Blk Zn	1

#	Part Number	Description	Qty.
61	16063-000024	Spring, Governor, Ø1.8 x Ø19.5 x 136	1
62	90682-000007	Oil Seal, Ø14 x Ø8 x 4	1
63	90501-000005	Pin, White Zn	1
64	16012-000003	Throttle Valve Returning Spring	1
65	16062-000006	Governor Rod, White Zn	1
66	16520-000007	Air Guide, Cooling Fan, White Zn	1
67	90305-000015	Hex Flange Nut, M10, Blk Zn	1
68	37060-000006	Engine oil Sensor	1
69	90001-000022	Hex Flange Bolt, M6 x 16, White Zn	2
70	90684-000001	Clip, Ø6 x 10.6 x 130	3
71	90685-000016	Clamp, Ø16 x 1.6, White Zn	1
72	16011-000001	Clip, Throttle Valve	1
73	90748-000002	Clamp, Ø10 x 16	1
74	90729-000010	Vent Tube, Ø9.5 x Ø16.8 x 460	1
75	90001-000007	Hex Flange Bolt, M5 x 16, White Zn	2
76	17003-000009	Air Cleaner Support	1
77	90001-000019	Hex Flange Bolt, M6 x 12, Blk Zn	1
78	90722-000026	Plug, End	1

CYLINDER HEAD PARTS DIAGRAM

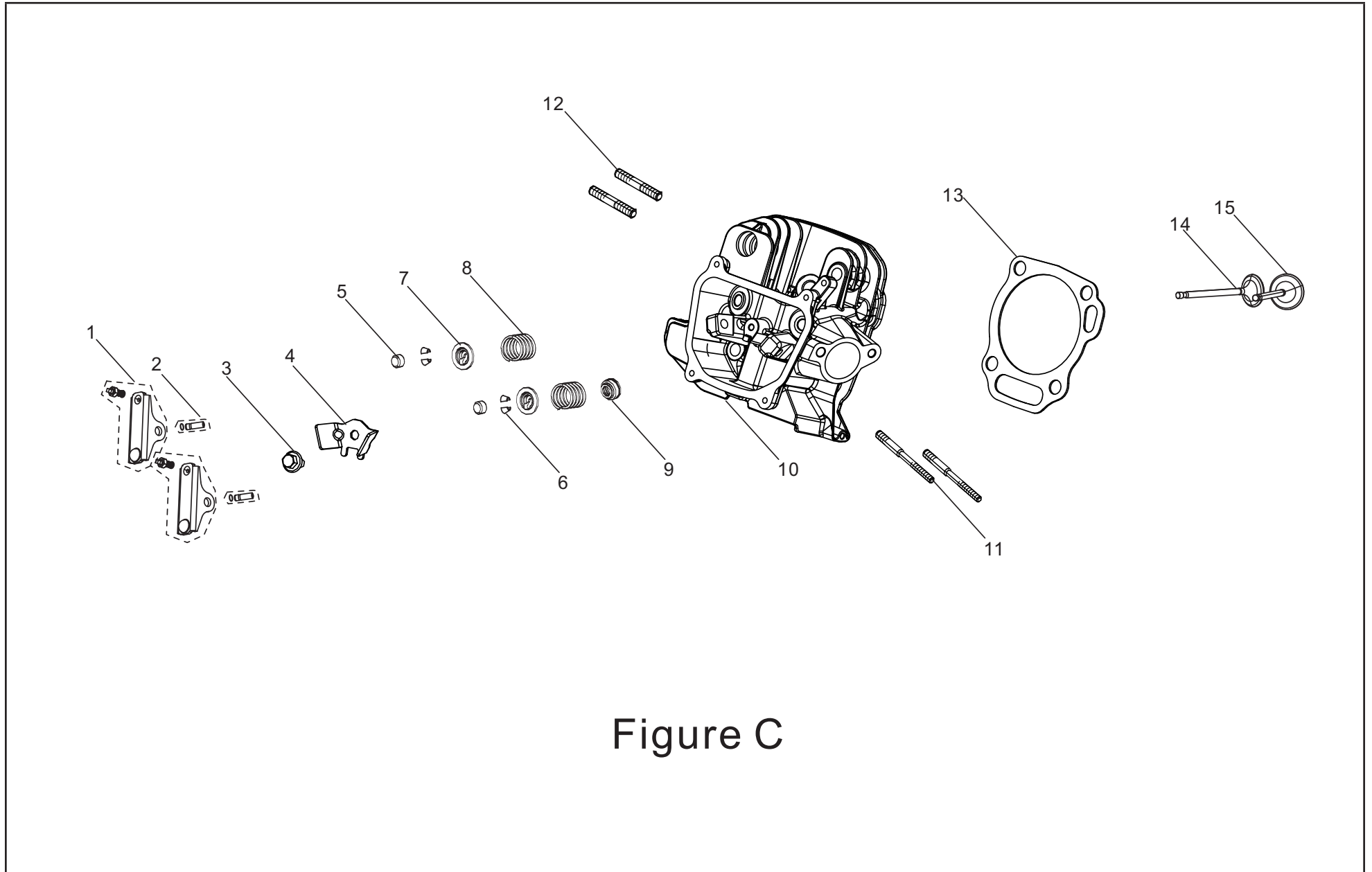


Figure C

CYLINDER HEAD PARTS LIST

#	Part Number	Description	Qty.
1	14310-000001	Valve Rocker	2
2	14318-000005	Rocker Arm Shaft Assy	2
3	90001-000019	Hex Flange Bolt, M6 x 12, Blk Zn	1
4	12419-000002	Cylinder Head Pin Limit Plate, 1.6	1
5	12104-000001	Rotator, Valve, Ø5.6 X Ø8.5 X 5.2	2
6	12109-000002	Valve Lock Clamp, Ø5.5 X Ø9	4
7	12112-000003	Valve Spring Retainer	2
8	12103-000009	Valve Spring, Ø19.1 X Ø2.5 X 38	2
9	12101-000001	Seal Guide	1
10	12140-000015	Cylinder Head	1
11	90204-000011	Stud, M6/M8 x 110, Blk Zn	2
12	90203-000002	Stud, M8 x 34, Blk Zn	2
13	12131-000012	Cylinder Head Gasket	1
14	12121-000010	Exhaust Valve	1
15	12111-000001	Intake Valve	1

CARBURETOR PARTS DIAGRAM

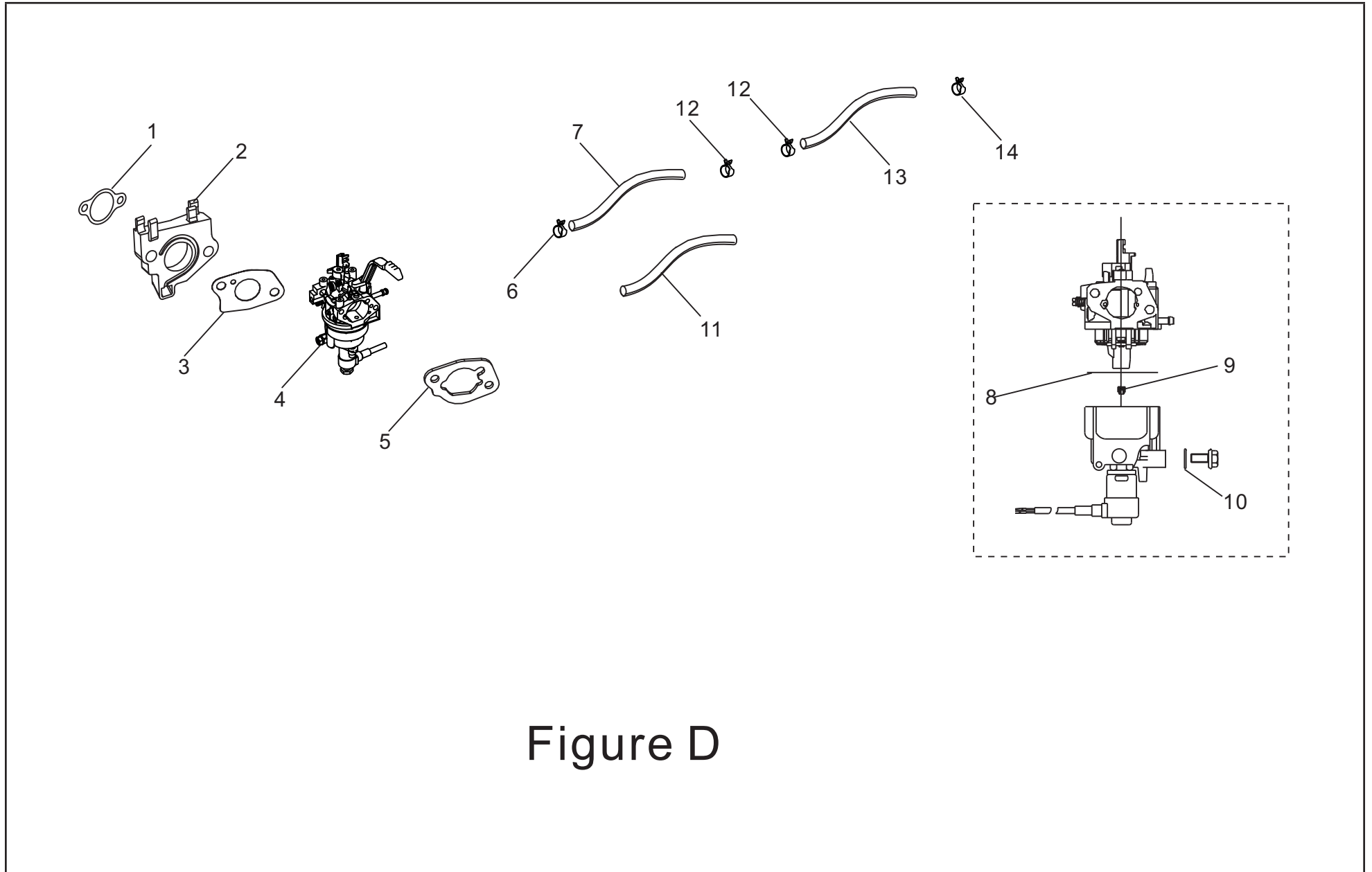


Figure D

CARBURETOR PARTS LIST

#	Part Number	Description	Qty.
1	17002-000002	Gasket, Insulator	1
2	16003-000003	Carburetor Insulator Plate	1
3	16001-000003	Carburetor Gasket	1
4	16100-000085	Carburetor Assembly	1
5	17001-000006	Air Cleaner Gasket	1
6	90685-000012	Clamp, Ø9 x 8 x 0.8, Dacromet	1
7	90686-000064	Tube, Ø4 x Ø10 x 490	1
8	16112-000003	Seal Ring, Float	1
9	16161-000054	Main Jet(H128 X 0.41), Standard	1
	16161-000009	Main Jet(H128 x 0.43), Altitude 3000-6000 Feet	/
	16161-000099	Main Jet(H128 x 0.45), Altitude 6000-8000 Feet	/
10	90681-000007	Seal Ring	1
11	30431-000028	Rubber Sleeve,Ø11 x Ø9.5 x 200	1
12	90685-000002	Clamp, Ø9 x 8 x 0.8, Dacromet	2
13	90686-000065	Tube, Ø4.5 x Ø8.5 x 305	1
14	90685-000007	Clamp, Ø9.5 x 8 x 0.8, Dacromet	1

ALTERNATOR PARTS DIAGRAM

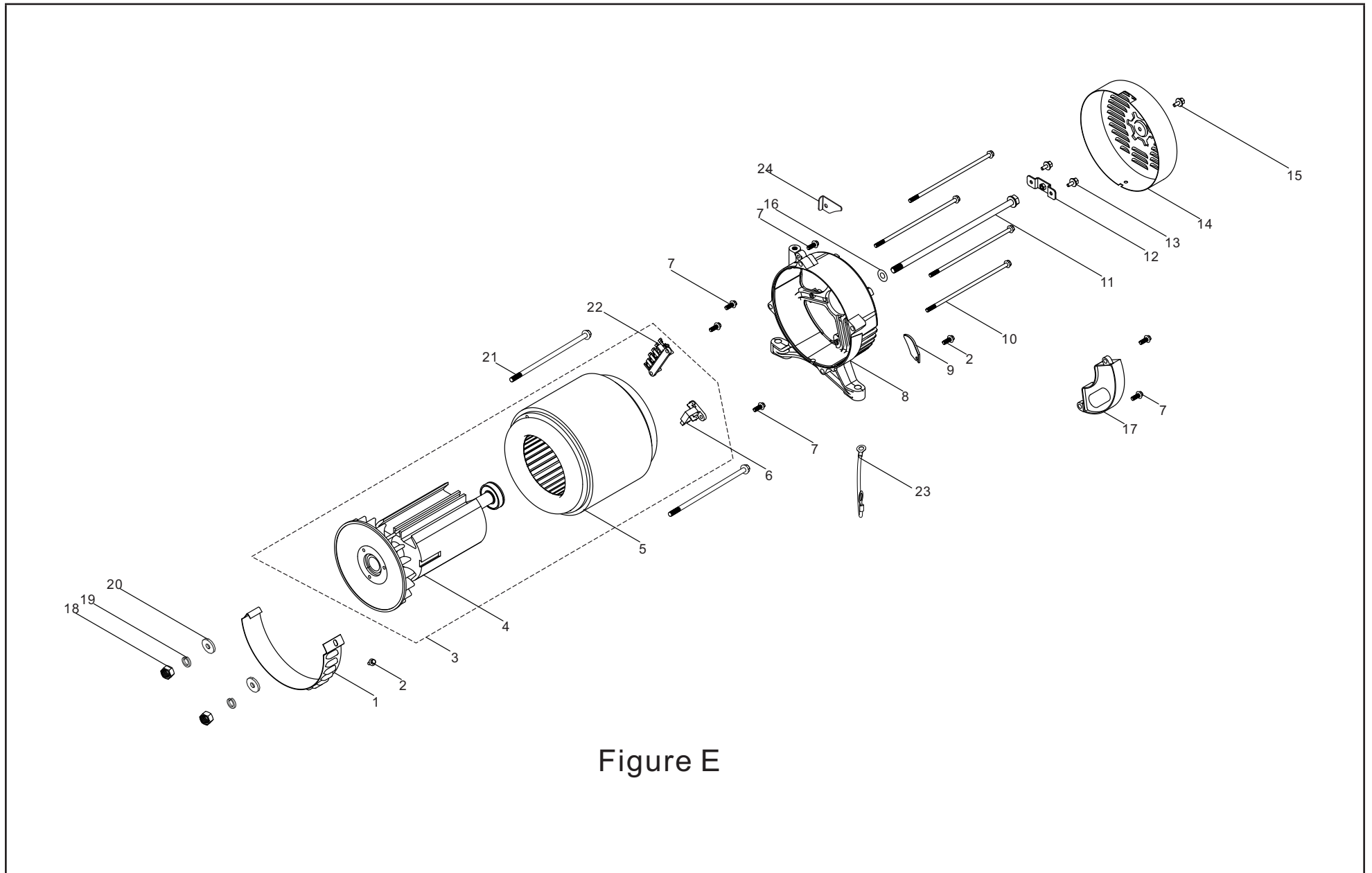


Figure E

ALTERNATOR PARTS LIST

#	Part Number	Description	Qty.
1	30024-000003	Shroud, Alternator	1
2	90001-000001	Hex Flange Bolt, M5 x 10, White Zn	2
3	31300-000018	Alternator Assy, AL, D190 x 158	1
4	31330-000009	Rotor, AL, D190 x 158	1
5	31310-000009	Stator, AL, D190 x 158	1
6	31320-000004	Carbon Brush Assy	1
7	90001-000007	Hex Flange Bolt, M5 x 16, White Zn	6
8	30021-000005	Bracket, Motor	1
9	30023-000005	Stopper, Motor Right Cover, White Zn	1
10	30048-000004	Bolt M6 x 199, Stator, White Zn	4
11	30049-000004	Bolt M10 x 285, Rotor, White Zn	1
12	51124-000010	Mounting Bracket, White Zn	1
13	90007-000003	Hex Flange Bolt, M5 x 12, Blk Zn	2
14	30022-000009	Cover, End Housing, Yellow	1
15	90001-000019	Hex Flange Bolt, M6 x 12, Blk Zn	1
16	90408-000011	Flat Washer, Ø10.4 x Ø30 x 4, White Zn	1
17	30060-000017	AVR	1
18	90303-000001	Hex Nut, M5, White Zn	2
19	90403-000002	Standard Spring Washer, Blk Zn	2
20	90408-000003	Flat Washer, Ø5, White Zn	2
21	31316-000001	Stator Fixing Bolt, M5 x 235	2
22	31303-000002	Terminal Block	1
23	30009-000014	Grounding Wire	1
24	30023-000008	Stopper, Motor Right Cover 1, White Zn	1

FUEL TANK PARTS DIAGRAM

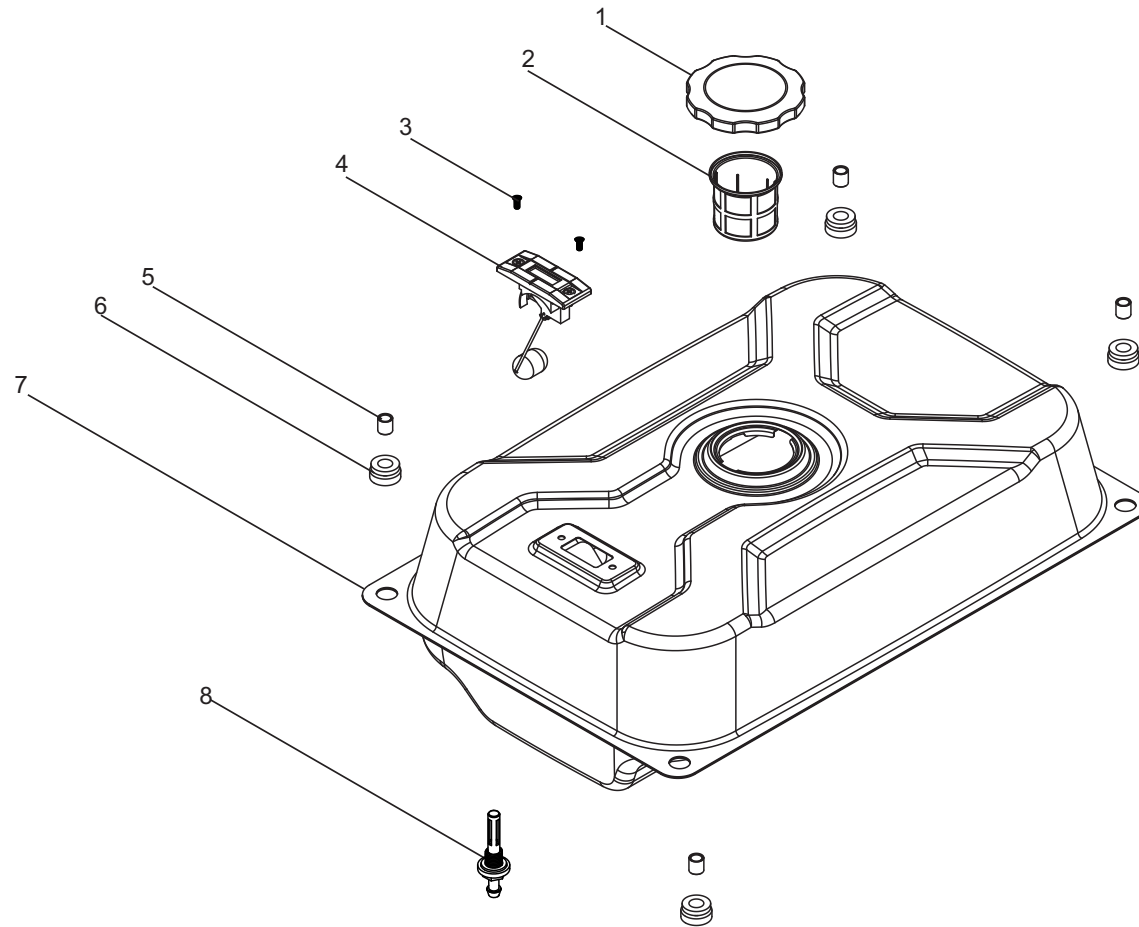


Figure F

FUEL TANK PARTS LIST

#	Part Number	Description	Qty.
1	16730-000002	Fuel Tank Cap	1
2	16652-000005	Fuel Filter	1
3	90104-000002	Screw, M5 X 12, Blk Zn	2
4	37200-000013	Fuel Gauge	1
5	90683-000001	Bushing, White Zn	4
6	16601-000001	Rubber Sleeve, Vibration Mount, Fuel Tank	4
7	16620-000058	Fuel Tank, 17.8L	1
8	16680-000002	Fuel Tank Outlet Assy	1

CONTROL PANEL PARTS DIAGRAM

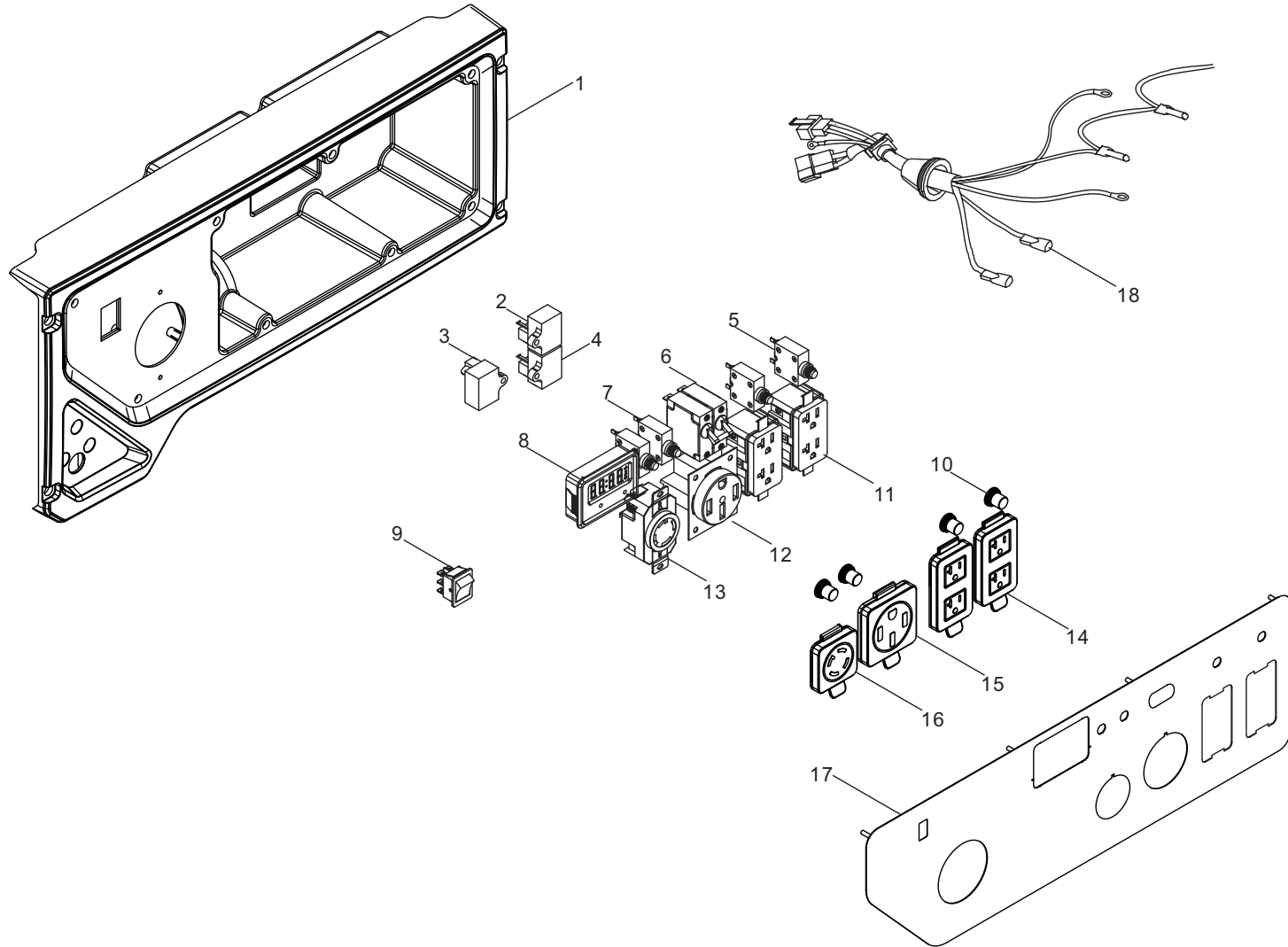


Figure G

CONTROL PANEL PARTS LIST

#	Part Number	Description	Qty.
1	35680-000019	Control Box	1
2	30008-000003	Control Module, OV0402	1
3	30008-000004	Control Module, EV10	1
4	30007-000002	Charging Module, EC0803	1
5	31234-000003	20Amp Circuit Breaker, Push Button	2
6	35627-000007	33Amp Circuit Breaker, 2P flip, 250V	1
7	31234-000007	30Amp Circuit Breaker, Push Button	2
8	35632-000005	Display, INT1B0F	1
9	35160-000011	Engine switch	1
10	35654-000005	Cover, Push Button	4
11	35614-000017	5-20R Receptacle, 20A, 125V	2
12	35614-000012	14-50R Receptacle, 50A, 125V/250V	1
13	35614-000004	L14-30R Receptacle, 30A, 125V/250V	1
14	35654-000013	Receptacle Cover, 5-20R	2
15	35654-000012	Receptacle Cover, 14-50R	1
16	35654-000010	Receptacle Cover, L14-30R	1
17	35650-000063	Control Panel	1
18	35660-000071	Wire Harness, Control Panel	1

FRAME ASSEMBLY PARTS DIAGRAM

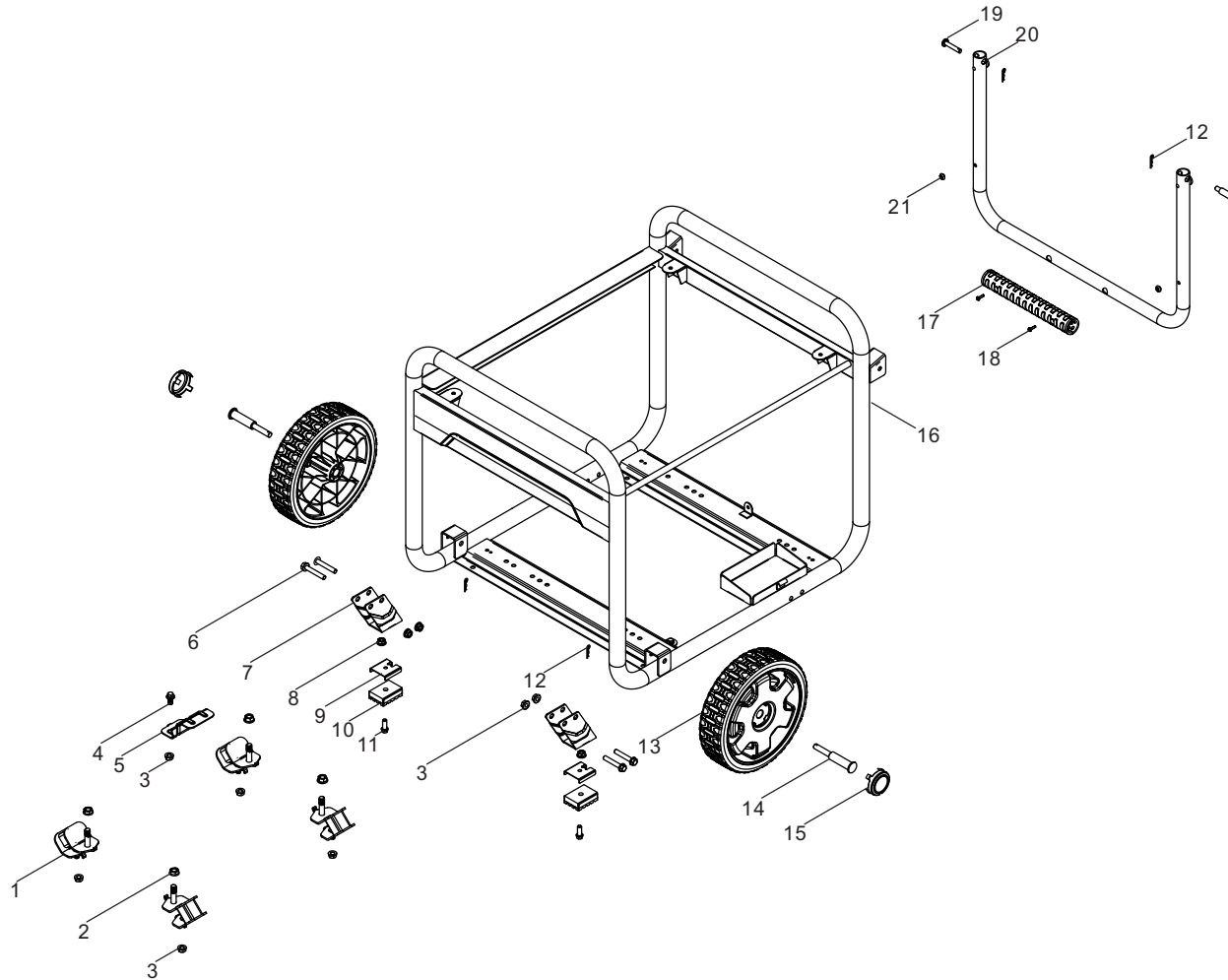


Figure H

FRAME ASSEMBLY PARTS LIST

#	Part Number	Description	Qty.
1	51012-000001	Rear Vibration Mount, Frame	4
2	90306-000002	Hex Flange Nut, M10, Blk Zn	4
3	90305-000011	Hex Flange Nut, M8, Blk Zn	9
4	90001-000041	Hex Flange Bolt, M8 x 16, Blk Zn	1
5	24329-000004	Block 1	1
6	90001-000054	Hex Flange Bolt, M8 x 50, Blk Zn	4
7	51016-000011	Support Leg	2
8	90305-000008	Hex Flange Nut, M6, Blk Zn	2
9	24329-000008	Block 2	2
10	51014-000017	Vibration Mount, Support Leg	2
11	90001-000025	Hex Flange Bolt, M6 x 20, Blk Zn	2
12	90583-000001	R Pin, Blk Zn	4
13	44110-000008	9.5 in. Wheel, Yellow	2
14	44020-000011	Roll Pin, Blk Zn	2
15	44001-000003	Cover, Hub Decorated	2
16	51100-000068	Frame Assy, 665 x 555 x 545	1
17	54101-000006	Handle Sheath, 25 x 233	1
18	90103-000007	Screw, M4 x 16, Blk Zn	2
19	90504-000002	Pin Shaft, Blk Zn	2
20	54110-000016	Handle, 555 x 385 x31	1
21	90722-000006	Plug, End	2

WIRING DIAGRAM

