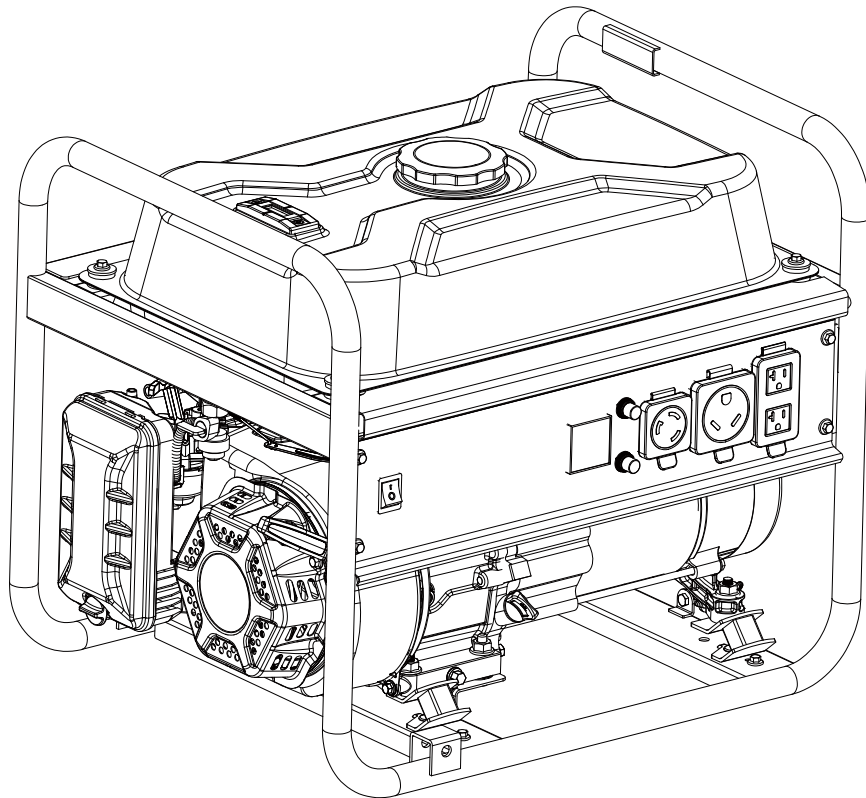




Champion Power Equipment, Inc.

**MODEL #201459**



## **PARTS INFORMATION**

**3650W PORTABLE GENERATOR**

**SERIAL NUMBER RANGE: ALL**



To order replacement parts please visit:  
**[shop.championpowerequipment.com](http://shop.championpowerequipment.com)**  
or call **1-877-338-0999**.

## **TABLE OF CONTENTS**

|   |           |
|---|-----------|
| <b>Generator Parts Diagram</b> .....      | <b>3</b>  |
| <b>Generator Parts List</b> .....         | <b>4</b>  |
| <b>Engine Parts Diagram</b> .....         | <b>5</b>  |
| <b>Engine Parts List</b> .....            | <b>6</b>  |
| <b>Cylinder Head Parts Diagram</b> .....  | <b>8</b>  |
| <b>Cylinder Head Parts List</b> .....     | <b>9</b>  |
| <b>Carburetor Parts Diagram</b> .....     | <b>10</b> |
| <b>Carburetor Parts List</b> .....        | <b>11</b> |
| <b>Alternator Parts Diagram</b> .....     | <b>12</b> |
| <b>Alternator Parts List</b> .....        | <b>13</b> |
| <b>Fuel Tank Parts Diagram</b> .....      | <b>14</b> |
| <b>Fuel Tank Parts List</b> .....         | <b>15</b> |
| <b>Control Panel Parts Diagram</b> .....  | <b>16</b> |
| <b>Control Panel Parts List</b> .....     | <b>17</b> |
| <b>Frame Assembly Parts Diagram</b> ..... | <b>18</b> |
| <b>Frame Assembly Parts List</b> .....    | <b>19</b> |
| <b>Wiring Diagram</b> .....               | <b>20</b> |

# GENERATOR PARTS DIAGRAM

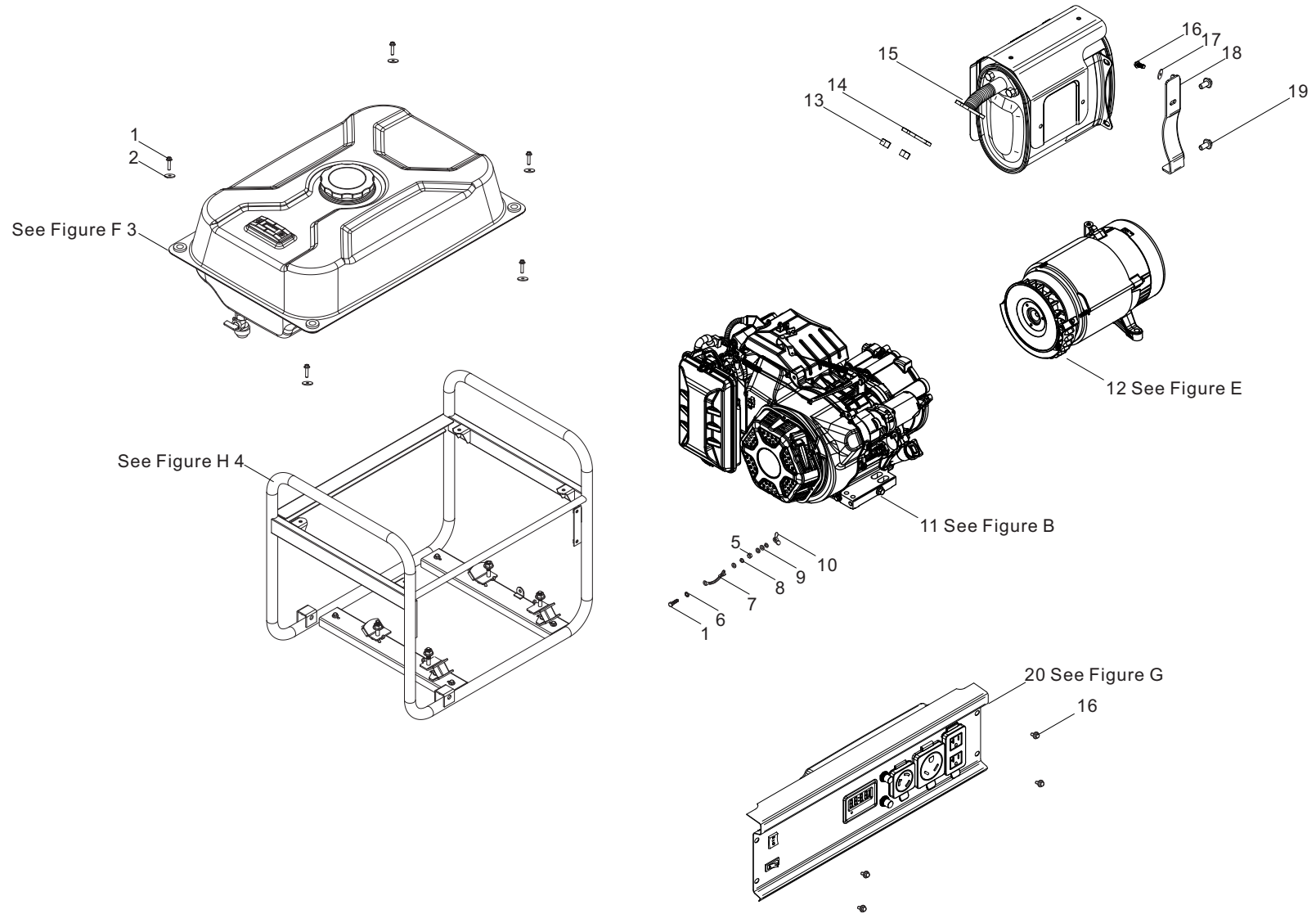


Figure A

**GENERATOR PARTS LIST**

| #  | Part Number       | Description                       | Qty. |
|----|-------------------|-----------------------------------|------|
| 1  | 90001-000027      | Hex Flange Bolt, M6 x 25, Blk Zn  | 5    |
| 2  | 90408-000008      | Flat Washer, Ø6, Blk Zn           | 4    |
| 3  | 96104-Y16620-0020 | Fuel Tank Assy - See Figure F     | 1    |
| 4  | 96103-Y51100-0027 | Frame Assy - See Figure H         | 1    |
| 5  | 90303-000003      | Hex Nut, M8, Blk Zn               | 1    |
| 6  | 90415-000001      | Lock Washer, Toothed, Blk Zn      | 1    |
| 7  | 30009-000024      | Grounding Wire                    | 1    |
| 8  | 90403-000003      | Spring Washer, Blk Zn             | 2    |
| 9  | 90408-000006      | Flat Washer, Ø6, Blk Zn           | 3    |
| 10 | 90312-000001      | Wing Nut, M6, Blk Zn              | 1    |
| 11 | 96100-225P0000-03 | Engine - See Figure B             | 1    |
| 12 | 96114-Y31300-0018 | Alternator - See Figure E         | 1    |
| 13 | 90303-000006      | Hex Nut, M8, Blk Zn               | 2    |
| 14 | 18001-000007      | Exhaust Outlet Gasket             | 1    |
| 15 | 18100-000053      | Muffler Assy                      | 1    |
| 16 | 90001-000019      | Hex Flange Bolt, M6 x 12, Blk Zn  | 5    |
| 17 | 90406-000003      | Flat Washer, Ø6, Blk Zn           | 1    |
| 18 | 18030-000002      | Muffler Bracket                   | 1    |
| 19 | 90001-000041      | Hex Flange Bolt, M8 x 16, Blk Zn  | 2    |
| 20 | 35610-000175      | Control Panel Assy - See Figure G | 1    |

# ENGINE PARTS DIAGRAM

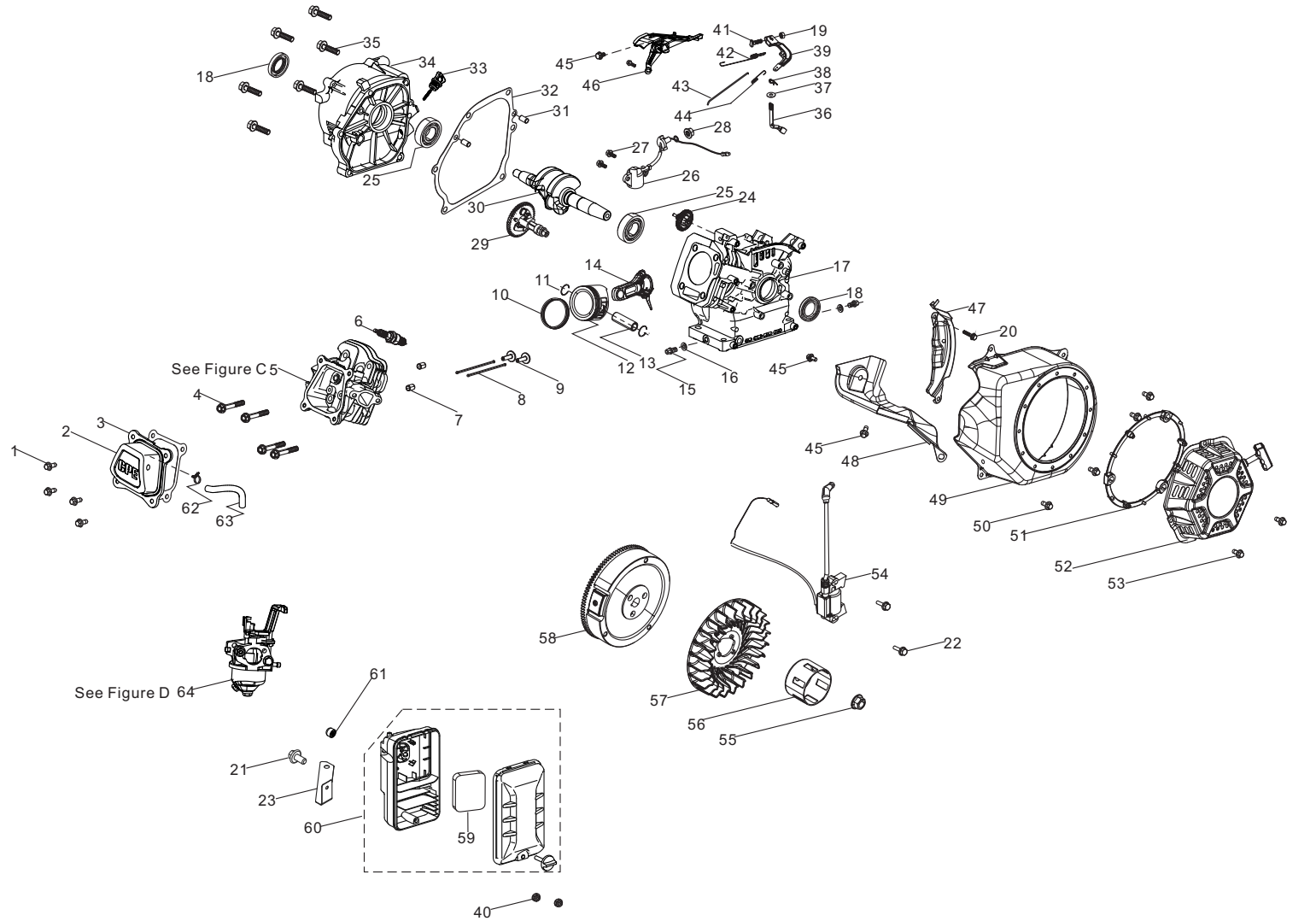


Figure B

**ENGINE PARTS LIST**

| #  | Part Number  | Description                            | Qty. |
|----|--------------|--|------|
| 1  | 90001-000018 | Hex Flange Bolt, M6 x 12, White Zn     | 4    |
| 2  | 12410-000001 | Cylinder Head Cover Assy, White Zn     | 1    |
| 3  | 12004-000002 | Cylinder Head Cover Gasket, D=1        | 1    |
| 4  | 12003-000001 | Cylinder Head Bolt, M8 x 60, White Zn  | 4    |
| 5  | 12140-000019 | Cylinder Head Assy                     | 1    |
| 6  | 30010-000002 | Spark Plug, F6TC                       | 1    |
| 7  | 90502-000007 | Pin, 11 x 14                           | 2    |
| 8  | 14071-000004 | Valve Lifter                           | 2    |
| 9  | 14081-000002 | Valve Tappet                           | 2    |
| 10 | 13200-000004 | Piston Ring Assy                       | 1    |
| 11 | 13122-000005 | Piston Pin Clip, Ø12.7 x Ø1            | 2    |
| 12 | 13111-000016 | Piston                                 | 1    |
| 13 | 13121-000011 | Piston Pin, Ø13 x Ø9 x Ø45.9           | 1    |
| 14 | 13010-000012 | Connecting Rod                         | 1    |
| 15 | 11007-000002 | Drain Plug Bolt, M10 x1.25 x15, Blk Zn | 2    |
| 16 | 90408-000019 | Washer, Ø10 x Ø15.8 x 1.5              | 2    |
| 17 | 11310-000024 | Crankcase Assy                         | 1    |
| 18 | 90682-000010 | Oil Seal, Ø25 x Ø41.25 x 6             | 2    |
| 19 | 90305-000007 | Hex Flange Nut, M6, Blk Zn             | 1    |
| 20 | 90001-000022 | Hex Flange Bolt, M6 x 16, White Zn     | 1    |
| 21 | 90001-000019 | Hex Flange Bolt, M6 x 12, Blk Zn       | 1    |
| 22 | 90001-000026 | Hex Flange Bolt, M6 x 25, White Zn     | 2    |
| 23 | 17003-000003 | Air Cleaner Support                    | 1    |
| 24 | 16400-000007 | Governor Gear                          | 1    |
| 25 | 90547-000006 | Bearing, 6205                          | 2    |
| 26 | 37060-000003 | Engine oil Sensor                      | 1    |
| 27 | 90001-000020 | Hex Flange Bolt, M6 x 14, Blk Zn       | 2    |
| 28 | 90305-000015 | Hex Flange Nut, M10, Blk Zn            | 1    |
| 29 | 14200-000021 | Camshaft Assy                          | 1    |
| 30 | 13300-000025 | Crankshaft Assy                        | 1    |

| #  | Part Number  | Description                                      | Qty. |
|----|--------------|--|------|
| 31 | 90502-000005 | Pin, 9 x 12                                      | 2    |
| 32 | 11001-000008 | Crankcase Gasket                                 | 1    |
| 33 | 15010-000016 | Oil Dipstick Assy                                | 1    |
| 34 | 11411-000018 | Crankcase Cover                                  | 1    |
| 35 | 90001-000048 | Hex Flange Bolt, M8 x 32, Blk Zn                 | 6    |
| 36 | 16061-000001 | Governor Arm                                     | 1    |
| 37 | 90408-000020 | Washer, Ø6.2 x Ø15 x 0.6                         | 1    |
| 38 | 90501-000005 | Pin, White Zn                                    | 1    |
| 39 | 16070-000001 | Governor Support Assy, White Zn                  | 1    |
| 40 | 90305-000008 | Hex Flange Nut, M6, Blk Zn                       | 2    |
| 41 | 16072-000002 | Governor Support Bolt, M6 x 21, Blk Zn           | 1    |
| 42 | 16063-000002 | Spring, Governor, Ø6 x Ø0.8 x 115, White Zn      | 1    |
| 43 | 16062-000001 | Governor Rod, White Zn                           | 1    |
| 44 | 16012-000002 | Throttle Valve Returning Spring<br>Ø5.3xØ0.35x90 | 1    |
| 45 | 90001-000017 | Bolt, M6 x10, Blk Zn                             | 4    |
| 46 | 16520-000018 | Throttle Control Assy                            | 1    |
| 47 | 19340-000013 | Lower Shield, White Zn                           | 1    |
| 48 | 19304-000001 | Cylinder Body Shroud, White Zn                   | 1    |
| 49 | 28110-000003 | Shroud   | 1    |
| 50 | 90001-000019 | Hex Flange Bolt, M6 x 12, Blk Zn                 | 4    |
| 51 | 28261-000001 | Retainer Ring, Recoil Starter                    | 1    |
| 52 | 28200-000005 | Recoil Starter Assy                              | 1    |
| 53 | 90251-000002 | Bolts With Washer, M6x18, Blk Zn                 | 3    |
| 54 | 30400-000023 | Ignition Coil                                    | 1    |
| 55 | 13501-000001 | Flywheel Nut, M14 x 1.5, White Zn                | 1    |
| 56 | 28002-000010 | Starter Pulley, White Zn                         | 1    |
| 57 | 19352-000012 | Cooling Fan, Engine                              | 1    |
| 58 | 13510-000014 | Flywheel Assy                                    | 1    |
| 59 | 17151-000009 | Element, Air Cleaner                             | 1    |

| #  | Part Number       | Description              | Qty. |
|----|-------------------|--------------------------|------|
| 60 | 17100-000020      | Air Cleaner Assy         | 1    |
| 61 | 90722-000016      | Plug, End                | 1    |
| 62 | 90685-000008      | Clamp Ø10.5 x Ø1         | 1    |
| 63 | 17004-000022      | Tube, Breather, Ø8 x Ø12 | 1    |
| 64 | 96105-Z16100-0025 | Carburetor Assy          | 1    |

# CYLINDER HEAD PARTS DIAGRAM

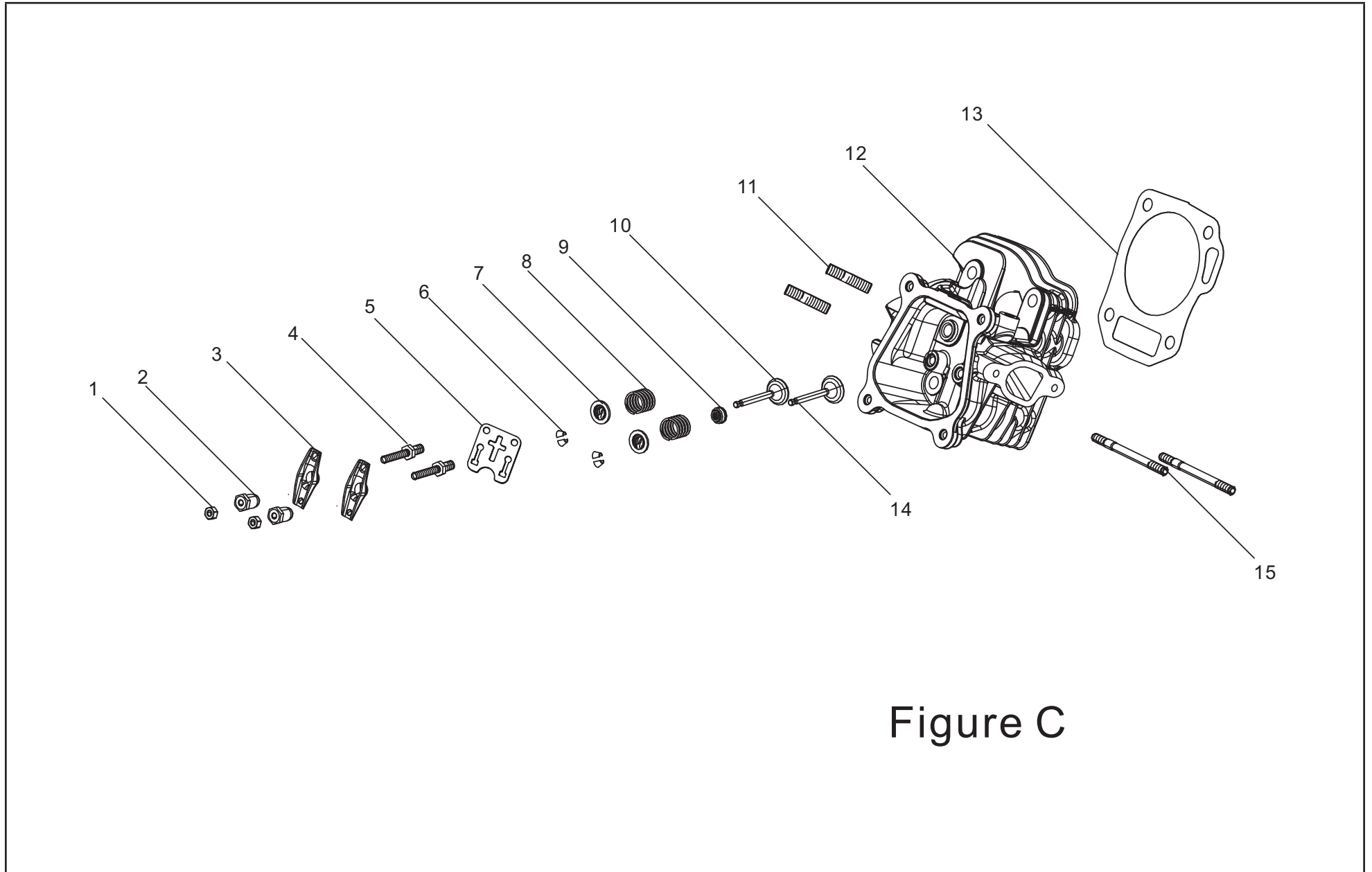


Figure C



## CYLINDER HEAD PARTS LIST

| #  | Part Number  | Description                         | Qty. |
|----|--------------|-------------------------------------|------|
| 1  | 14312-000001 | Valve Lock Nut                      | 2    |
| 2  | 14314-000001 | Valve Adjusting Nut                 | 2    |
| 3  | 14311-000001 | Valve Rocker                        | 2    |
| 4  | 14313-000001 | Valve Adjusting Bolt                | 2    |
| 5  | 14090-000001 | Lifter Stopper Plate Assy, White Zn | 1    |
| 6  | 12109-000004 | Valve Lock Clamp                    | 4    |
| 7  | 12112-000008 | Valve Spring Retainer               | 2    |
| 8  | 12103-000010 | Spring, Valve                       | 2    |
| 9  | 12101-000006 | Seal Guide                          | 1    |
| 10 | 12121-000013 | Exhaust Valve                       | 1    |
| 11 | 90203-000001 | Stud, M8 x 34, Blk Zn               | 2    |
| 12 | 12140-000019 | Cylinder Head Subassembly           | 1    |
| 13 | 12131-000015 | Cylinder Head Gasket                | 1    |
| 14 | 12111-000010 | Inlet Valve                         | 1    |
| 15 | 90204-000001 | Stud, M6 x 96, Blk Zn               | 2    |

# CARBURETOR PARTS DIAGRAM

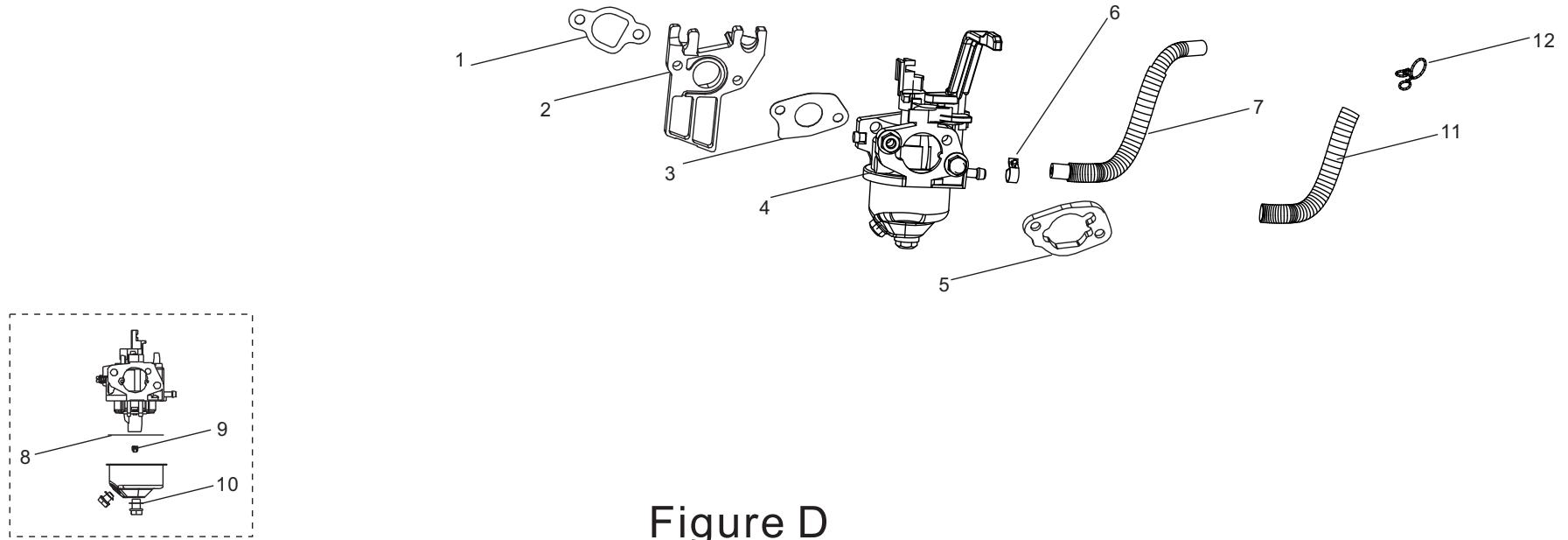


Figure D

## CARBURETOR PARTS LIST

| #  | Part Number  | Description                            | Qty. |
|----|--------------|--|------|
| 1  | 16002-000002 | Insulator Gasket, Carburetor           | 1    |
| 2  | 16003-000001 | Insulator Plate, Carburetor            | 1    |
| 3  | 16001-000001 | Carburetor Gasket                      | 1    |
| 4  | 16100-000030 | Carburetor Assy                        | 1    |
| 5  | 17001-000002 | Gasket, Air Cleaner                    | 1    |
| 6  | 90685-000012 | Clamp, Ø8 x 7 x 0.6                    | 1    |
| 7  | 90686-000063 | Tube, Ø4.5 x Ø8.5 x 140                | 1    |
| 8  | 16112-000001 | Seal Ring, Float                       | 1    |
| 9  | 16161-000027 | Main Jet (77#), Standard               | 1    |
|    | 16161-000025 | Main Jet(75#), Altitude 3000-6000 Feet | /    |
|    | 16161-000023 | Main Jet(73#), Altitude 6000-8000 Feet | /    |
| 10 | 90681-000003 | Seal Ring, Ø9.5                        | 1    |
| 11 | 30431-000001 | Rubber Sleeve,Ø9 x Ø11 x 60            | 1    |
| 12 | 90740-000003 | Clamp, Ø7.5 x 1                        | 1    |

# ALTERNATOR PARTS DIAGRAM

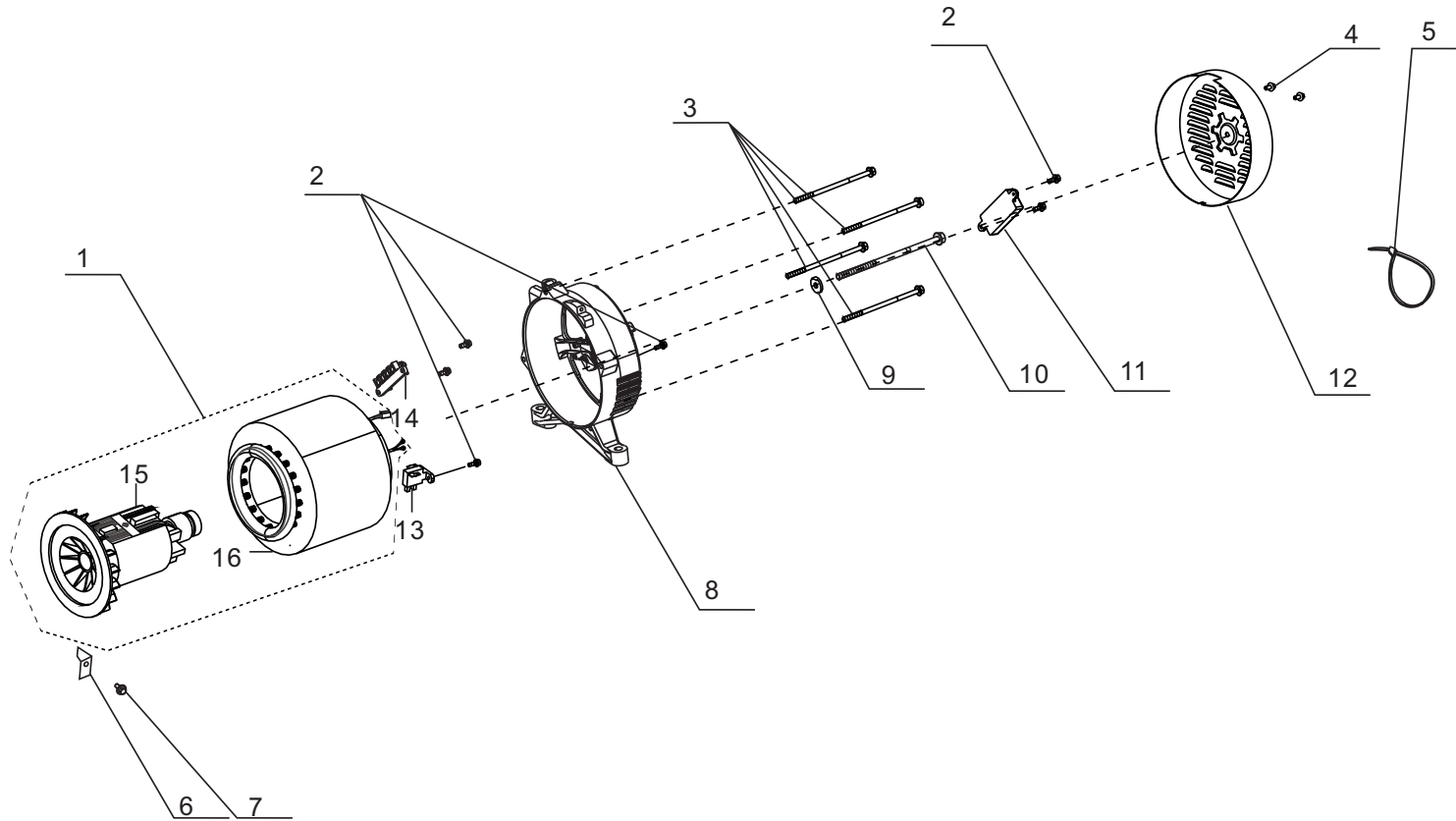


Figure E

**ALTERNATOR PARTS LIST**

| #  | Part Number  | Description                          | Qty. |
|----|--------------|--------------------------------------|------|
| 1  | 31300-000007 | Alternator Assy, AL, Ø160 x 130      | 1    |
| 2  | 90001-000007 | Hex Flange Bolt, M5 x 16, White Zn   | 6    |
| 3  | 30048-000005 | Bolt, M6 x 174, Stator, White Zn     | 4    |
| 4  | 90001-000004 | Hex Flange Bolt, M5 x 12, Blk Zn     | 2    |
| 5  | 90727-000002 | Band, 3.5x190                        | 1    |
| 6  | 30023-000001 | Stopper, Motor Right Cover, White Zn | 1    |
| 7  | 90001-000019 | Hex Flange Bolt, M5 x 16, Blk Zn     | 1    |
| 8  | 30021-000004 | Motor Bracket                        | 1    |
| 9  | 90408-000025 | Flat Washer, Blk Zn                  | 1    |
| 10 | 30049-000005 | Bolt, M8 x 230, Rotor, White Zn      | 1    |
| 11 | 30060-000008 | AVR                                  | 1    |
| 12 | 30022-000004 | Cover, End Housing                   | 1    |
| 13 | 31320-000001 | Carbon Brush Assy                    | 1    |
| 14 | 31303-000001 | Terminal Block                       | 1    |
| 15 | 31330-000014 | Rotor, AL, Ø160 x 130                | 1    |
| 16 | 31310-000026 | Stator Assy, AL, Ø160 x 130          | 1    |

# FUEL TANK PARTS DIAGRAM

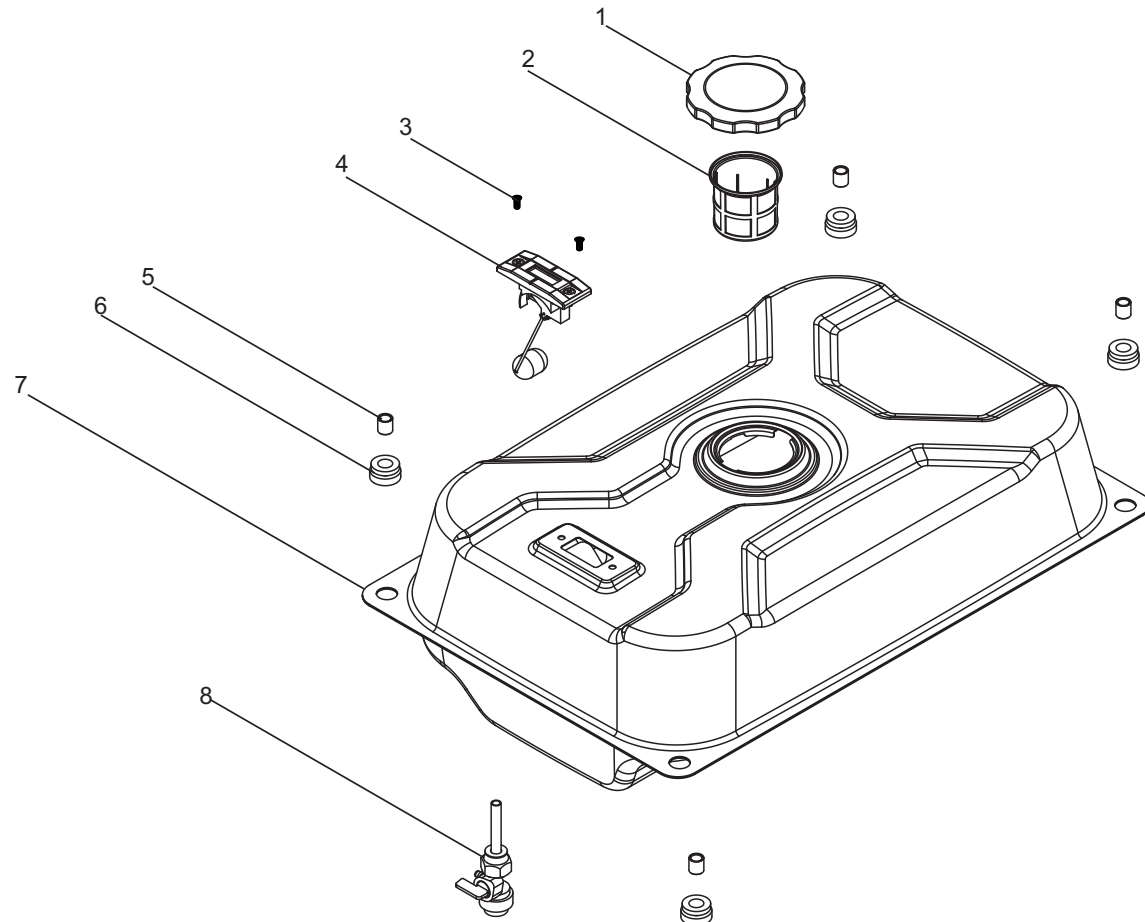


Figure F

**FUEL TANK PARTS LIST**

| # | Part Number  | Description                               | Qty. |
|---|--------------|---|------|
| 1 | 16730-000002 | Fuel Tank Cap                             | 1    |
| 2 | 16652-000005 | Fuel Filter                               | 1    |
| 3 | 90104-000002 | Screw, M5 × 12, Blk Zn                    | 2    |
| 4 | 37200-000020 | Fuel Gauge                                | 1    |
| 5 | 90683-000001 | Bushing                                   | 4    |
| 6 | 16601-000001 | Rubber Sleeve, Vibration Mount, Fuel Tank | 4    |
| 7 | 16620-000057 | Fuel Tank, 17.8L                          | 1    |
| 8 | 16750-000003 | Fuel Valve Assy                           | 1    |

# CONTROL PANEL PARTS DIAGRAM

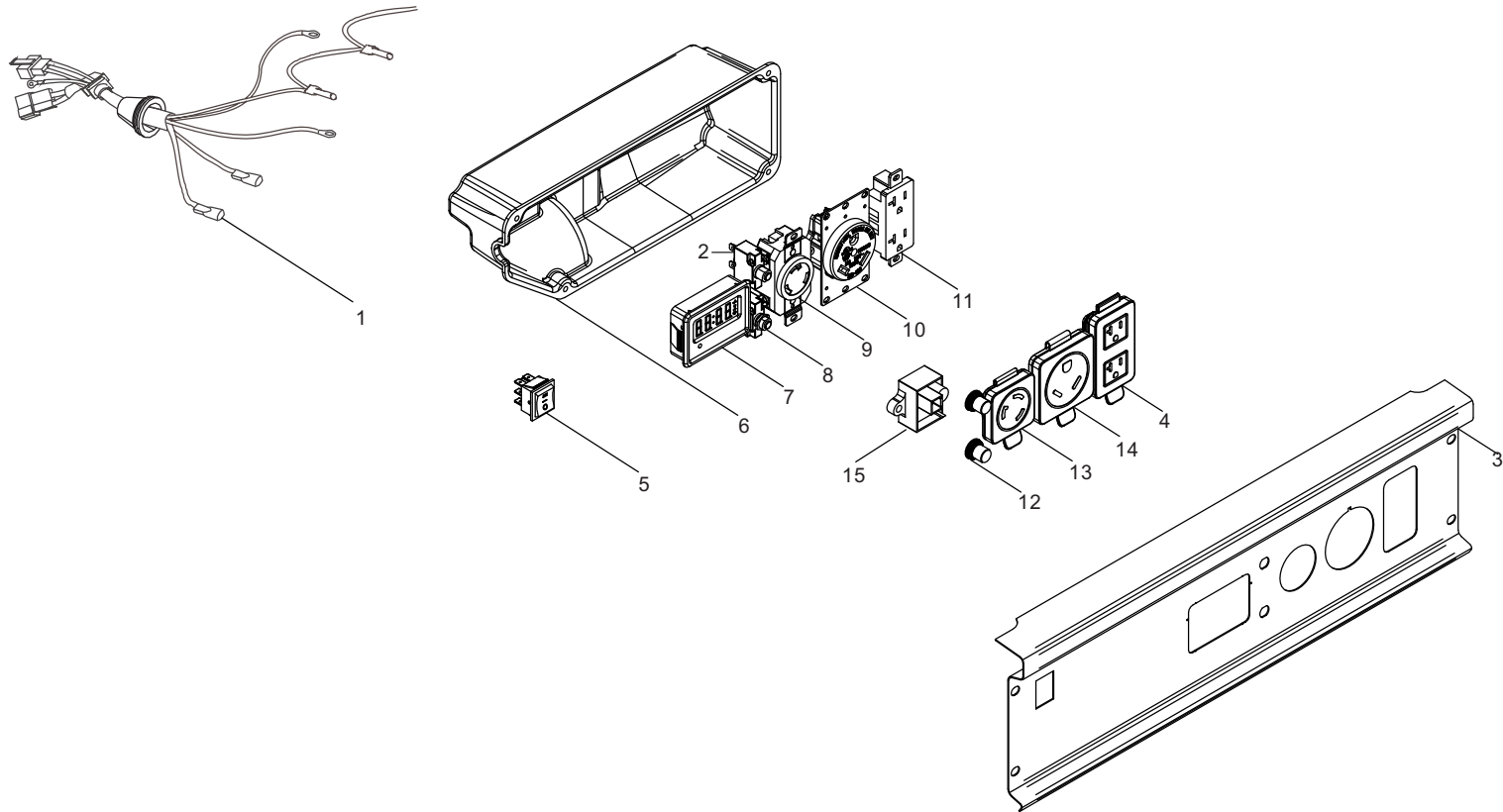


Figure G



**CONTROL PANEL PARTS LIST**

| #  | Part Number  | Description                        | Qty. |
|----|--------------|------------------------------------|------|
| 1  | 35660-000070 | Wire Harness, Control Panel        | 1    |
| 2  | 31234-000003 | 20Amp Circuit Breaker, Push Button | 1    |
| 3  | 35650-000062 | Control Panel                      | 1    |
| 4  | 35654-000013 | Receptacle Cover, 5-20R            | 1    |
| 5  | 35160-000002 | Engine switch                      | 1    |
| 6  | 35601-000004 | Control Box                        | 1    |
| 7  | 35632-000004 | Intelligauge, VFT-2                | 1    |
| 8  | 31234-000007 | 20Amp Circuit Breaker, Push Button | 1    |
| 9  | 35614-000005 | L5-30R Receptacle,30A,125V         | 1    |
| 10 | 35614-000007 | TT-30R Receptacle, 30A, 125V       | 1    |
| 11 | 35614-000017 | 5-20R Receptacle, 20A, 125V        | 1    |
| 12 | 35654-000005 | Cover, Push Button                 | 2    |
| 13 | 35654-000009 | Receptacle Cover,L5-30R            | 1    |
| 14 | 35654-000011 | Receptacle Cover, TT-30R           | 1    |
| 15 | 30008-000002 | Control Module, OV0201             | 1    |

# FRAME ASSEMBLY PARTS DIAGRAM

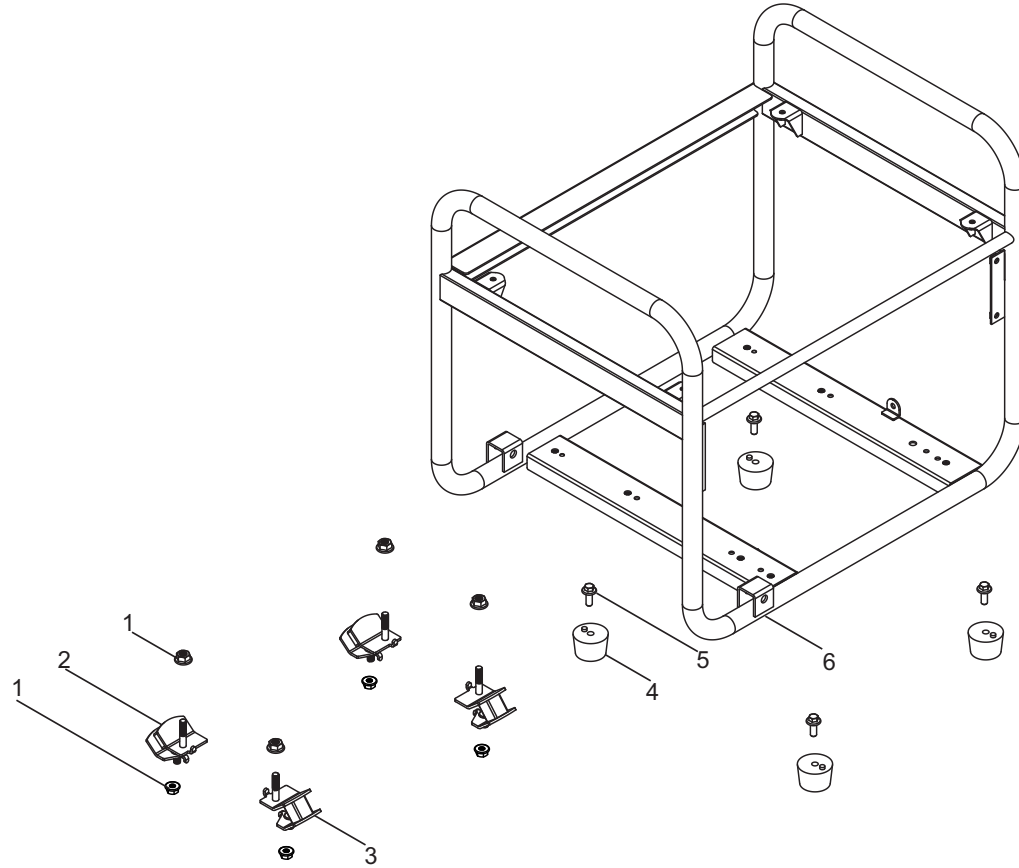


Figure H

**FRAME ASSEMBLY PARTS LIST**

| # | Part Number  | Description                      | Qty. |
|---|--------------|----------------------------------|------|
| 1 | 90305-000011 | Hex Flange Nut, M8, Blk Zn       | 8    |
| 2 | 51011-000001 | Vibration Mount 2, Frame         | 2    |
| 3 | 51005-000002 | Vibration Mount 1, Frame         | 2    |
| 4 | 51014-000004 | Support Leg                      | 4    |
| 5 | 90001-000019 | Hex Flange Bolt, M6 x 12, Blk Zn | 4    |
| 6 | 51100-000067 | Frame Assy                       | 1    |

# WIRING DIAGRAM

