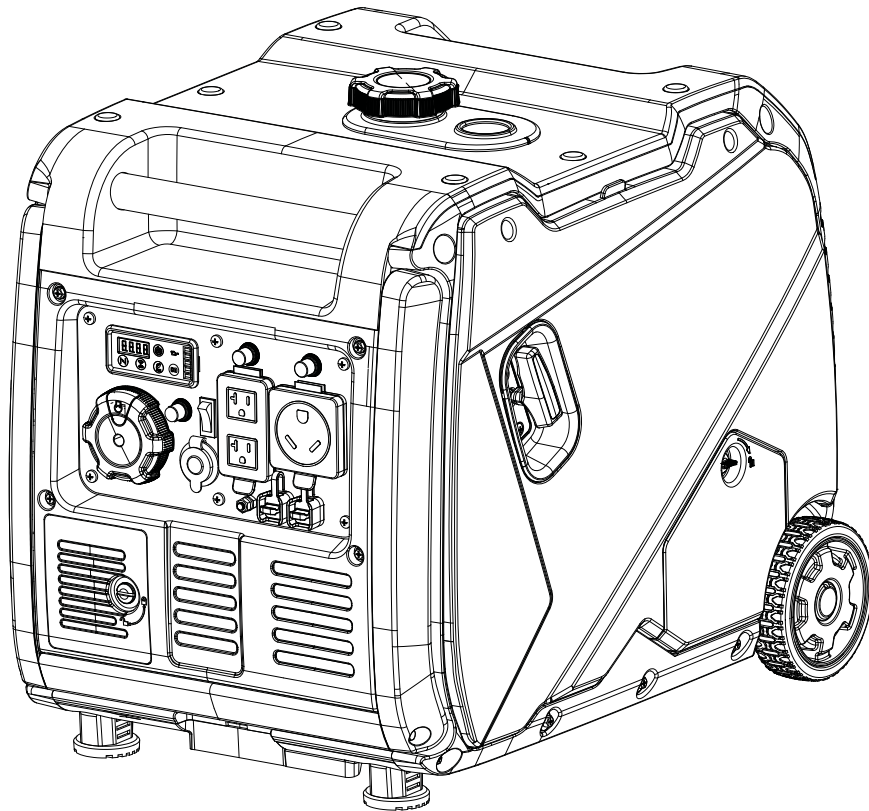




Champion Power Equipment, Inc.

MODEL #201324



PARTS INFORMATION

4500W WIRELESS REMOTE START INVERTER GENERATOR

SERIAL NUMBER RANGE: ALL



To order replacement parts please visit:
shop.championpowerequipment.com
or call **1-877-338-0999**.

TABLE OF CONTENTS

| | |
|---|-----------|
| Inverter Generator Parts Diagram | 3 |
| Inverter Generator Parts List | 4 |
| Engine Parts Diagram | 6 |
| Engine Parts List | 7 |
| Cylinder Head Parts Diagram | 9 |
| Cylinder Head Parts List | 10 |
| Carburetor Parts Diagram | 11 |
| Carburetor Parts List | 12 |
| Frame Parts Diagram | 13 |
| Frame Parts List | 14 |
| Fuel Tank Parts Diagram | 15 |
| Fuel Tank Parts List | 16 |
| Control Panel Parts Diagram | 17 |
| Control Panel Parts List | 18 |
| Wheel Kit Parts Diagram | 19 |
| Wheel Kit Parts List | 20 |
| Wiring Diagram | 21 |

INVERTER GENERATOR PARTS DIAGRAM

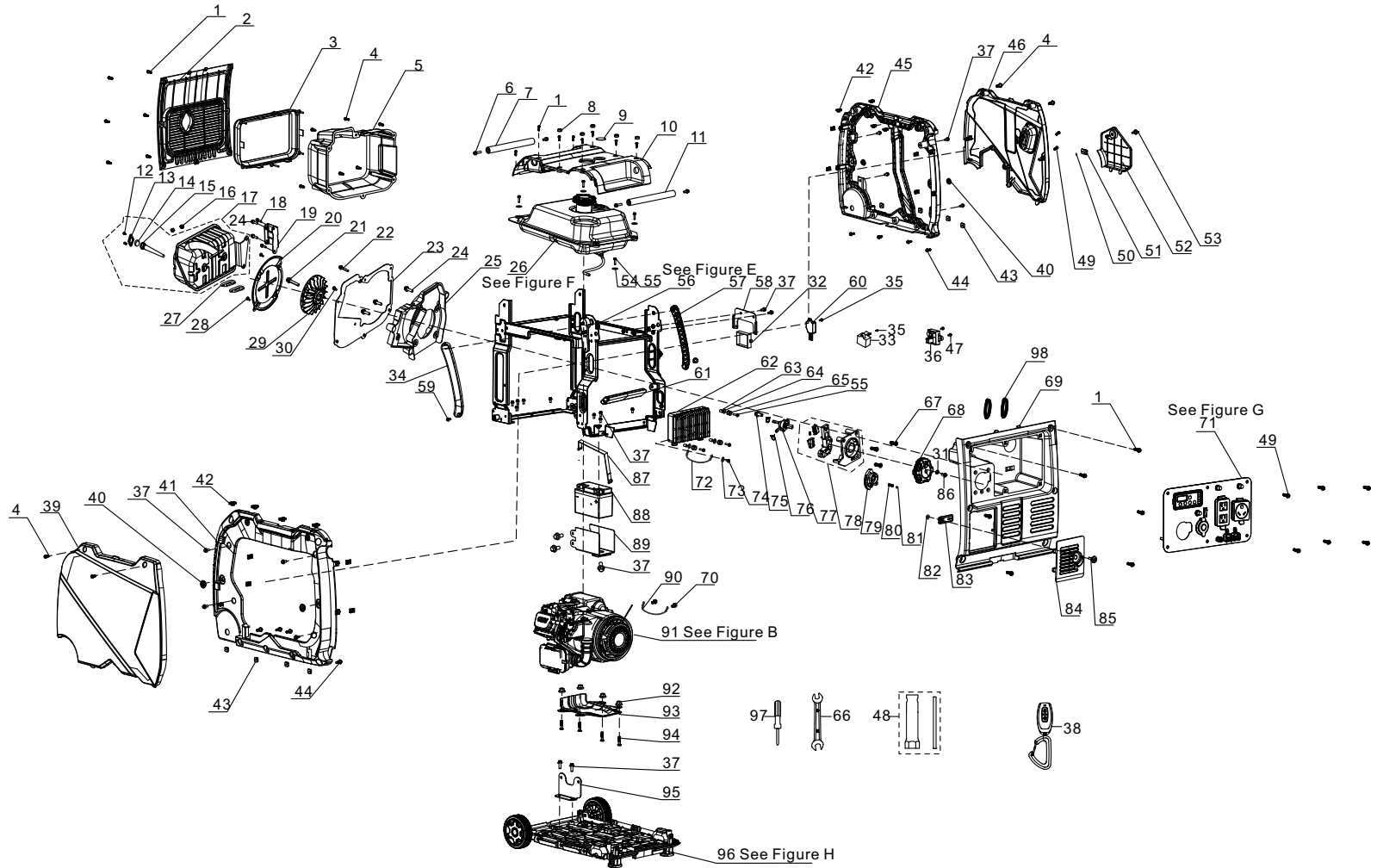


Figure A

INVERTER GENERATOR PARTS LIST

| # | Part Number | Description | Qty. |
|----|-------------------|---|------|
| 1 | 90208-000005 | Hexagon Step Bolt, M5 x 16, 6.5mm, Black Zinc | 20 |
| 2 | 18002-000001 | Louver, Muffler | 1 |
| 3 | 18018-000001 | Insulator Glue Cushion, Muffler | 1 |
| 4 | 90208-000004 | Hexagon Step Bolt, M5 x 12, Black Zinc | 10 |
| 5 | 18130-000001 | Muffler Guard | 1 |
| 6 | 90115-000001 | Hexagon Socket Bolt, M8 x 30, Black Zinc | 4 |
| 7 | 80153-000002 | Handle 2, Ø28 x 332 | 1 |
| 8 | 90722-000005 | Plug 1, End | 6 |
| 9 | 37205-000001 | Fuel Lever View, Fuel Gauge | 1 |
| 10 | 94230-000001 | Cover, Upper | 1 |
| 11 | 80153-000001 | Handle 1, Ø28 x 273 | 1 |
| 12 | 18012-000003 | Bolt, M5 x 10, Spark Arrestor | 2 |
| 13 | 18213-000002 | Cover Plate, Spark Arrestor | 1 |
| 14 | 18218-000002 | Muffling Block | 1 |
| 15 | 18250-000012 | Spark Arrestor | 1 |
| 16 | 90303-000005 | Hexagon Nut, M8, White Zinc | 2 |
| 17 | 18100-000009 | Muffler Assembly | 1 |
| 18 | 90007-000007 | Hexagon Flange Bolt, M6 x 12, White Zinc | 2 |
| 19 | 18030-000001 | Muffler Bracket | 1 |
| 20 | 18020-000001 | Plate, Muffler Insulator | 1 |
| 21 | 90001-000042 | Hexagon Flange Bolt, M8 x 20, White Zinc | 1 |
| 22 | 90007-000018 | Hexagon Flange Bolt, M6 x 35, White Zinc | 1 |
| 23 | 18299-000001 | Bracket, Muffler Guard | 1 |
| 24 | 90001-000040 | Hexagon Flange Bolt, M8 x 16, White Zinc | 5 |
| 25 | 28110-000001 | Shroud | 1 |
| 26 | 96003-Y16620-0012 | Fuel Tank Assembly - See Figure F | 1 |
| 27 | 18001-000011 | Exhaust Outlet Gasket | 2 |
| 28 | 90134-000001 | Bolt, M8 x 16, Black Zinc | 2 |
| 29 | 19352-000001 | Cooling Fan, Engine | 1 |

| # | Part Number | Description | Qty. |
|----|-------------------|--|------|
| 30 | 90124-000002 | Self Tapping Screw, PT4x13 | 1 |
| 31 | 90408-000001 | Flat Washer | 1 |
| 32 | 39027-000002 | Remote control unit | 1 |
| 33 | 30007-000002 | Charger Module, EC0803 | 1 |
| 34 | 54912-000002 | Rotating Arm, Left | 1 |
| 35 | 90001-000023 | Hexagon Flange Bolt, M6 x 16, Black Zinc | 2 |
| 36 | 35720-000003 | CO Sensor | 1 |
| 37 | 90001-000018 | Hexagon Flange Bolt, M6 x 12, White Zinc | 24 |
| 38 | 39024-000001 | Remote Key | 1 |
| 39 | 80092-000007 | Cover Board, Left | 1 |
| 40 | 16601-000005 | Vibration Mount, Fuel Tank | 4 |
| 41 | 80091-000001 | Shell, Left | 1 |
| 42 | 17199-000003 | Clip Nut, M5, White Zinc | 16 |
| 43 | 90326-000001 | Square Nut, M6, White Zinc | 8 |
| 44 | 90208-000003 | Hexagon Step Bolt, M6 x 20, Black Zinc | 8 |
| 45 | 80095-000002 | Shell, Right | 1 |
| 46 | 80096-000007 | Cover Board, Right | 1 |
| 47 | 90103-000013 | Screw, M5 x 16, White Zinc | 2 |
| 48 | 93130-000005 | Spark Plug Socket | 1 |
| 49 | 90255-000003 | Cross Recess Pan Head Screw & Washer Assembly, M5x12, Black Zinc | 8 |
| 50 | 37073-000001 | Clip, Spring | 1 |
| 51 | 24329-000001 | Block 1 | 1 |
| 52 | 51197-000003 | Side Access Panel, Service | 1 |
| 53 | 80105-000001 | Knob, Side Access Panel, Service | 1 |
| 54 | 90408-000010 | Flat Washer, Ø6.2 x Ø25 x 2, White Zinc | 4 |
| 55 | 90001-000026 | Hexagon Flange Bolt, M6 x 25, White Zinc | 7 |
| 56 | 96003-Y51100-0009 | Frame Assembly - See Figure E | 1 |
| 57 | 54912-000003 | Right, Rotating Arm | 1 |
| 58 | 51124-000007 | Mounting Bracket | 1 |

| # | Part Number | Description | Qty. |
|----|--------------|--|------|
| 59 | 90001-000019 | Hexagon Flange Bolt, M6 x 12, Black Zinc | 2 |
| 60 | 30060-000025 | Rectifier | 1 |
| 61 | 54913-000002 | Rotating Bar | 1 |
| 62 | 30043-000025 | Inverter, 3.3/3.8kW_120V_60Hz | 1 |
| 63 | 90683-000003 | Bushing | 3 |
| 64 | 90406-000002 | Flat Washer, White Zinc | 3 |
| 65 | 30431-000003 | Rubber Sleeve | 3 |
| 66 | 93107-000004 | Wrench, Ø8 - Ø10, White Zinc | 1 |
| 67 | 90129-000002 | Self Tapping Screw, 4.2x16, White Zinc | 3 |
| 68 | 35643-000002 | Knob, Switch Dial, Engine | 1 |
| 69 | 35680-000003 | Control Panel Housing | 1 |
| 70 | 90001-000016 | Hexagon Flange Bolt, M6 x 10, White Zinc | 2 |
| 71 | 35610-000045 | Panel Assembly - See Figure G | 1 |
| 72 | 30009-000011 | Grounding Wire 2 | 1 |
| 73 | 90408-000003 | Flat Washer, Ø5, White Zinc | 1 |
| 74 | 90005-000001 | Hexagon Bolt, M4 x 8, White Zinc | 1 |
| 75 | 90001-000020 | Hexagon Flange Bolt, M6 x 14, White Zinc | 1 |
| 76 | 90685-000012 | Clamp, Ø8 x 7 x 0.6 | 2 |
| 77 | 16750-000005 | Fuel Valve Assembly | 1 |
| 78 | 35160-000008 | Switch Assembly, Engine | 1 |
| 79 | 94111-000001 | Cover Board | 1 |
| 80 | 16527-000001 | Spring, Stopper Adjusting | 1 |
| 81 | 90543-000001 | Ball, Steel | 1 |
| 82 | 90341-000002 | Nylon Nut, M5, Black,Zinc | 1 |
| 83 | 24329-000002 | Block 1 | 1 |
| 84 | 31123-000001 | Cover, Battery | 1 |
| 85 | 90208-000002 | Hexagon Step Bolt, M5 x 16, 6mm | 1 |
| 86 | 90103-000006 | Cross , M4 x 16, White Zinc | 1 |
| 87 | 31115-000003 | Clamp, Battery | 1 |
| 88 | 31110-000001 | Battery, 12V/1.6Ah | 1 |
| 89 | 31130-000001 | Battery Box | 1 |
| 90 | 30009-000007 | Grounding Wire 1 | 1 |

| # | Part Number | Description | Qty. |
|----|-------------------|--|------|
| 91 | 96100-210DVI00-07 | Engine, 212cc | 1 |
| 92 | 90305-000010 | Hexagon Flange Nut, M8, White Zinc | 4 |
| 93 | 19306-000002 | Crankcase Air Deflector | 1 |
| 94 | 90001-000050 | Hexagon Flange Bolt, M8 x 40, White Zinc | 4 |
| 95 | 17003-000001 | Air Cleaner Support | 1 |
| 96 | 96003-Y44110-0001 | wheel kit - See Figure H | 1 |
| 97 | 93120-000001 | Screwdriver | 1 |
| 98 | 30431-000015 | Rubber Sleeve, Ø38 x Ø51 x 9 | 2 |

ENGINE PARTS DIAGRAM

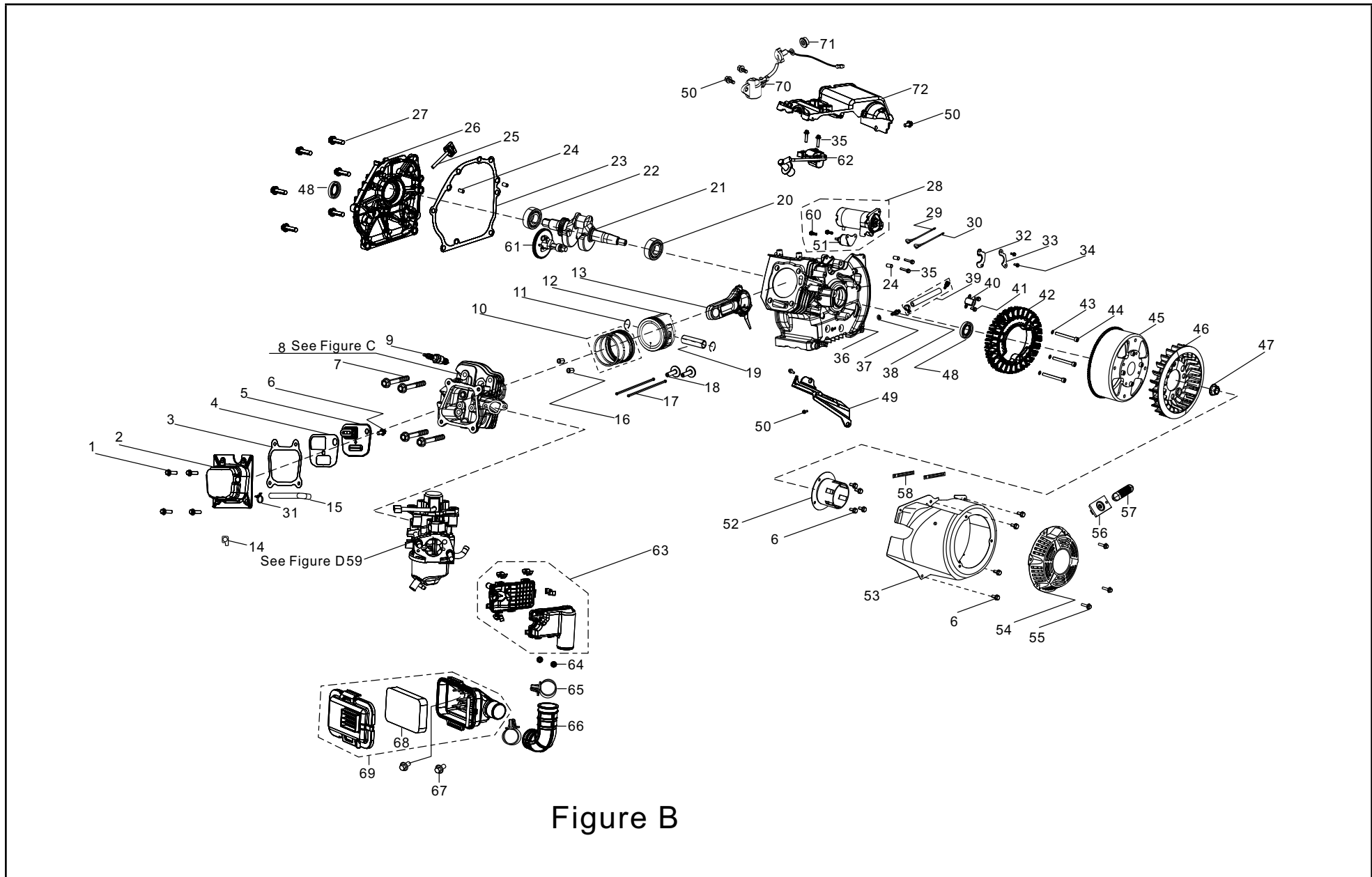


Figure B

ENGINE PARTS LIST

| # | Part Number | Description | Qty. |
|----|--------------------|---|------|
| 1 | 90001-000024 | Hexagon Flange Bolt, M6 x 20, White Zinc | 4 |
| 2 | 12410-000006 | Cylinder Head Cover Subassembly, White Zinc | 1 |
| 3 | 12004-000010 | Cylinder Head Cover Gasket | 1 |
| 4 | 11332-000001 | Gasket, Breath Groove Cover | 1 |
| 5 | 11320-000002 | Piece, Breath | 1 |
| 6 | 90001-000018 | Hexagon Flange Bolt, M6 x 12, White Zinc | 9 |
| 7 | 12003-000001 | Cylinder Head Bolt, M8 x 60, White Zinc | 4 |
| 8 | 96101-Z120410-0016 | Cylinder Head - See Figure C | 1 |
| 9 | 30010-000001 | Spark Plug, F6RTC | 1 |
| 10 | 13200-000004 | Piston Ring Assembly | 1 |
| 11 | 13122-000001 | Piston Pin Clip | 2 |
| 12 | 13111-000019 | Piston | 1 |
| 13 | 13010-000015 | Connecting Rod | 1 |
| 14 | 90804-000005 | Stop Block | 1 |
| 15 | 17004-000014 | Tube, Breather | 1 |
| 16 | 90502-000007 | Pin, Ø11 x 14 | 2 |
| 17 | 14071-000005 | Valve Lifter | 2 |
| 18 | 14081-000002 | Valve Tappet | 2 |
| 19 | 13121-000001 | Piston Pin, Ø18 x Ø14 x 54 | 1 |
| 20 | 90547-000016 | Bearing, 6305 | 1 |
| 21 | 13300-000012 | Crankshaft Assembly | 1 |
| 22 | 90547-000006 | Bearing, 6205 | 1 |
| 23 | 11001-000001 | Crankcase Gasket | 1 |
| 24 | 90502-000002 | Pin, Ø8 x 12 | 4 |
| 25 | 15010-000002 | Oil Dipstick Subassembly | 1 |
| 26 | 11411-000006 | Crankcase Cover | 1 |
| 27 | 90001-000047 | Hexagon Flange Bolt, M8 x 32, White Zinc | 6 |
| 28 | 30300-000001 | Starting Motor Assembly | 1 |
| 29 | 31112-000009 | Wire Harness, Battery | 1 |
| 30 | 31114-000009 | Wire Harness, Engine | 1 |

| # | Part Number | Description | Qty. |
|----|-------------------|---|------|
| 31 | 90685-000015 | Clamp, Ø14 | 1 |
| 32 | 54066-000004 | Wiring Clamp, White Zinc | 1 |
| 33 | 30002-000001 | Magneto Wiring Clamp | 1 |
| 34 | 90001-000008 | Hexagon Flange Bolt, M5 x 20, White Zinc | 2 |
| 35 | 90001-000028 | Hexagon Flange Bolt, M6 x 28, White Zinc | 4 |
| 36 | 11310-000007 | Crankcase Subassembly | 1 |
| 37 | 90408-000021 | Flat Washer, Ø10 x Ø15.8 x 1.5 | 1 |
| 38 | 90689-000003 | Joint, Oil Tube, White Zinc | 1 |
| 39 | 11011-000001 | Oil Drain Tube | 1 |
| 40 | 30130-000004 | Trigger | 1 |
| 41 | 90001-000007 | Hexagon Flange Bolt, M5 x 16, White Zinc | 2 |
| 42 | 30120-000019 | Stator Component, Ø152 x 38 | 1 |
| 43 | 90408-000005 | Washer, Ø6, White Zinc | 3 |
| 44 | 90102-000003 | Hexagon Socket Cap Screw, M6 x 60 | 3 |
| 45 | 30110-000011 | Rotor Component | 1 |
| 46 | 19352-000016 | Cooling Fan, Inverter | 1 |
| 47 | 13501-000001 | Flywheel Nut, M14 x 1.5, White Zinc | 1 |
| 48 | 90682-000002 | Oil Seal, Ø25 x Ø41.25 x 6 | 2 |
| 49 | 19309-000001 | Right Shield, Crankcase | 1 |
| 50 | 90001-000022 | Hexagon Flange Bolt, M6 x 16, White Zinc | 5 |
| 51 | 30500-000002 | Starting Relay | 1 |
| 52 | 28002-000009 | Starter Pulley | 1 |
| 53 | 28110-000014 | Shroud | 1 |
| 54 | 28200-000013 | Recoil Starter Assembly | 1 |
| 55 | 90251-000001 | Bolts & Washer Assembly, M6 x 8, Black Zinc | 3 |
| 56 | 28004-000005 | Guide Plate, Starter Rope | 1 |
| 57 | 28210-000002 | Handle, Starter Rope | 1 |
| 58 | 90684-000003 | Clip, 100 mm | 2 |
| 59 | 96003-Z16100-0014 | Carburetor Assembly | 1 |
| 60 | 90001-000006 | Hexagon Flange Bolt, M5 x 14, White Zinc | 2 |

| # | Part Number | Description | Qty. |
|----|--------------|--|------|
| 61 | 14200-000008 | Camshaft Assembly | 1 |
| 62 | 30400-000012 | Ignition Coil | 1 |
| 63 | 17400-000002 | Air Cleaner, Auxiliary | 1 |
| 64 | 90305-000007 | Hexagon Flange Nut, M6, White Zinc | 2 |
| 65 | 12081-000001 | Clamp 1 | 2 |
| 66 | 12510-000001 | Inlet Pipe | 1 |
| 67 | 90001-000026 | Hexagon Flange Bolt, M6 x 25, White Zinc | 2 |
| 68 | 17151-000005 | Element, Air Cleaner | 1 |
| 69 | 17100-000017 | Air Cleaner | 1 |
| 70 | 37060-000009 | Engine oil Sensor, W/O Nut | 1 |
| 71 | 90305-000014 | Hexagon Flange Nut, M10, White Zinc | 1 |
| 72 | 16675-000001 | Shield | 1 |

CYLINDER HEAD PARTS DIAGRAM

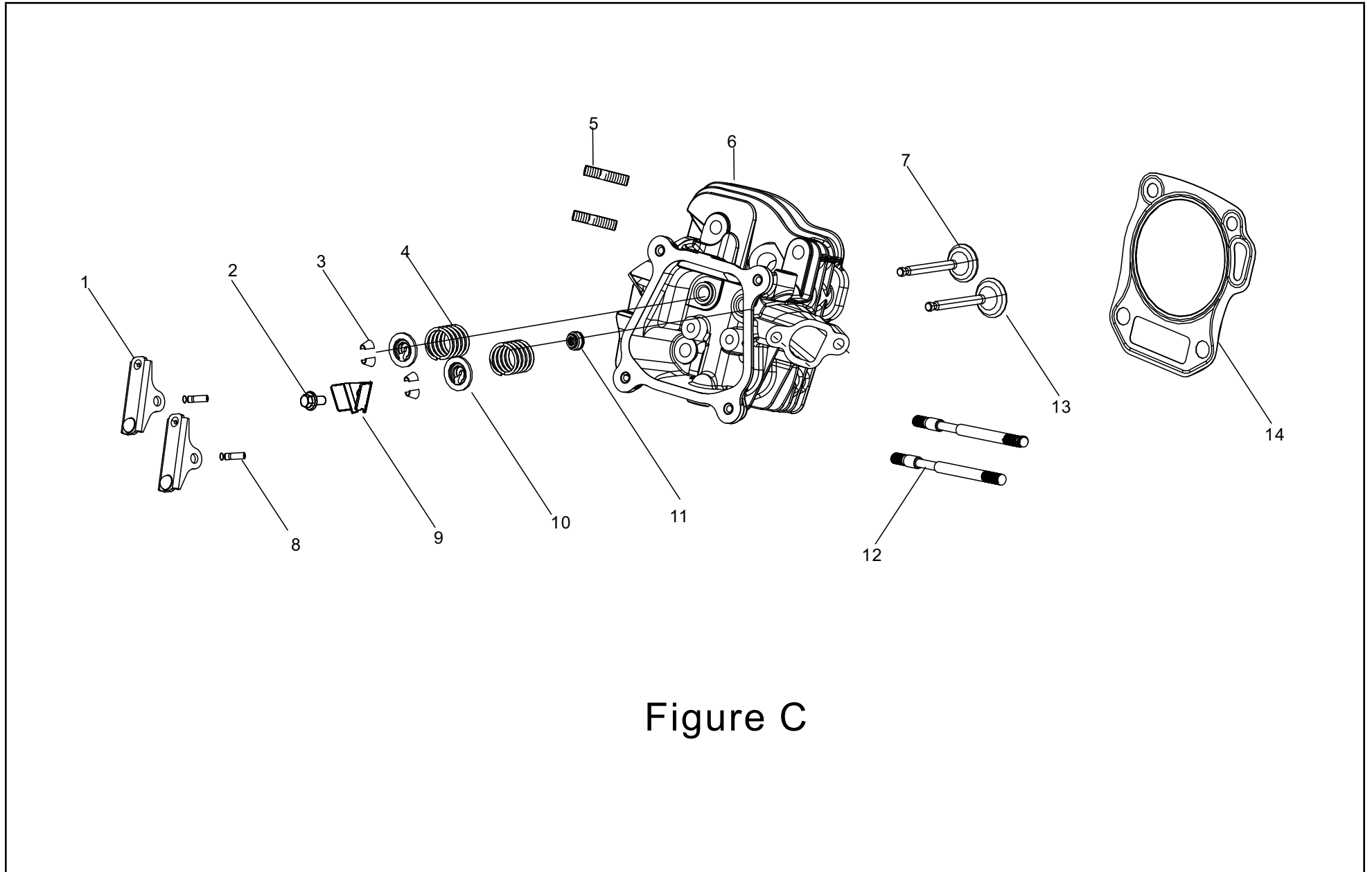


Figure C

CYLINDER HEAD PARTS LIST

| # | Part Number | Description | Qty. |
|----|--------------|--|------|
| 1 | 14310-000008 | Valve Rocker Subassembly | 2 |
| 2 | 90001-000018 | Hexagon Flange Bolt, M6 x 12, White Zinc | 1 |
| 3 | 12109-000004 | Valve Lock Clamp | 4 |
| 4 | 12103-000010 | Valve Spring | 2 |
| 5 | 90203-000001 | Stud, M8 x 34, Black Zinc | 2 |
| 6 | 12140-000023 | Cylinder Head Subassembly | 1 |
| 7 | 12121-000015 | Exhaust Valve | 1 |
| 8 | 14318-000007 | Valve Rocker Shaft Subassembly | 2 |
| 9 | 12419-000002 | Pin Plate, Cylinder Head Cover | 1 |
| 10 | 12112-000008 | Valve Spring Retainer | 2 |
| 11 | 12101-000006 | Seal Guide | 1 |
| 12 | 90207-000002 | Stud, M6 x 105, Black Zinc | 2 |
| 13 | 12111-000012 | Inlet Valve | 1 |
| 14 | 12131-000015 | Cylinder Head Gasket | 1 |

CARBURETOR PARTS DIAGRAM

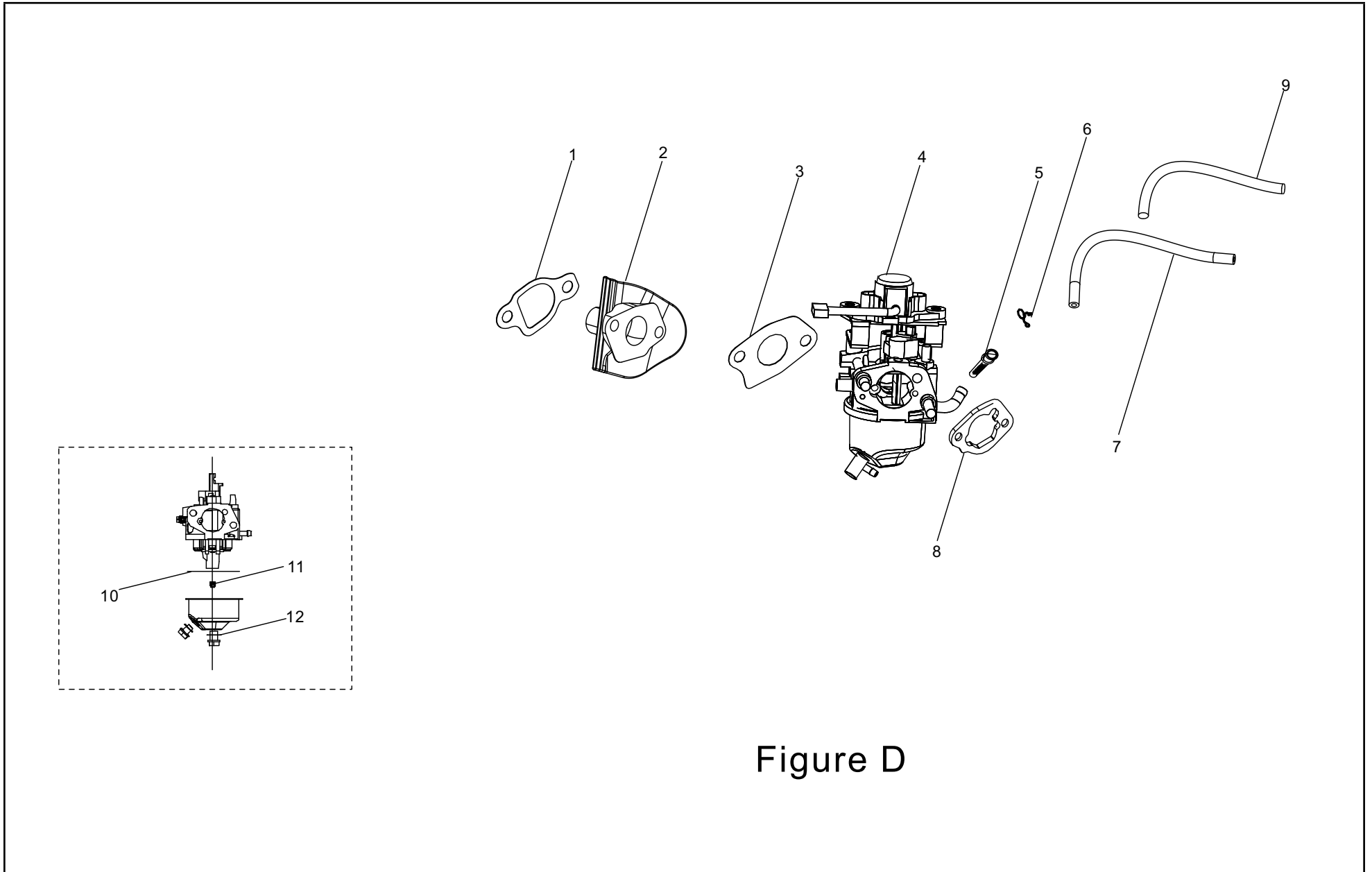


Figure D

CARBURETOR PARTS LIST

| # | Part Number | Description | Qty. |
|----|--------------|--|------|
| 1 | 16002-000006 | Carburetor Insulator Gasket | 1 |
| 2 | 16003-000007 | Carburetor Insulator Plate | 1 |
| 3 | 16001-000001 | Carburetor Gasket | 1 |
| 4 | 16100-000022 | Carburetor Assembly | 1 |
| 10 | 16112-000001 | Seal Ring, Float | 1 |
| | 16161-000005 | Main Jet(H128×0.68) | 1 |
| 11 | 16161-000004 | Main Jet(H128×0.71), Altitude 3000-6000 Feet | / |
| | 16161-000010 | Main Jet(H128×0.74), Altitude 6000-8000 Feet | / |
| 12 | 90681-000004 | Seal Ring | 1 |
| 5 | 16652-000016 | Fuel Filter | 1 |
| 6 | 90685-000002 | Clamp, Ø9 x Ø0.8 x 8, Army Green Zinc | 1 |
| 7 | 90686-000008 | Fuel Tube, Ø4.5 x Ø8.5 x 260 | 1 |
| 8 | 17001-000007 | Air Cleaner Gasket | 1 |
| 9 | 30431-000010 | Rubber Sleeve, Ø10 x Ø11 x 180 | 1 |

FRAME PARTS DIAGRAM

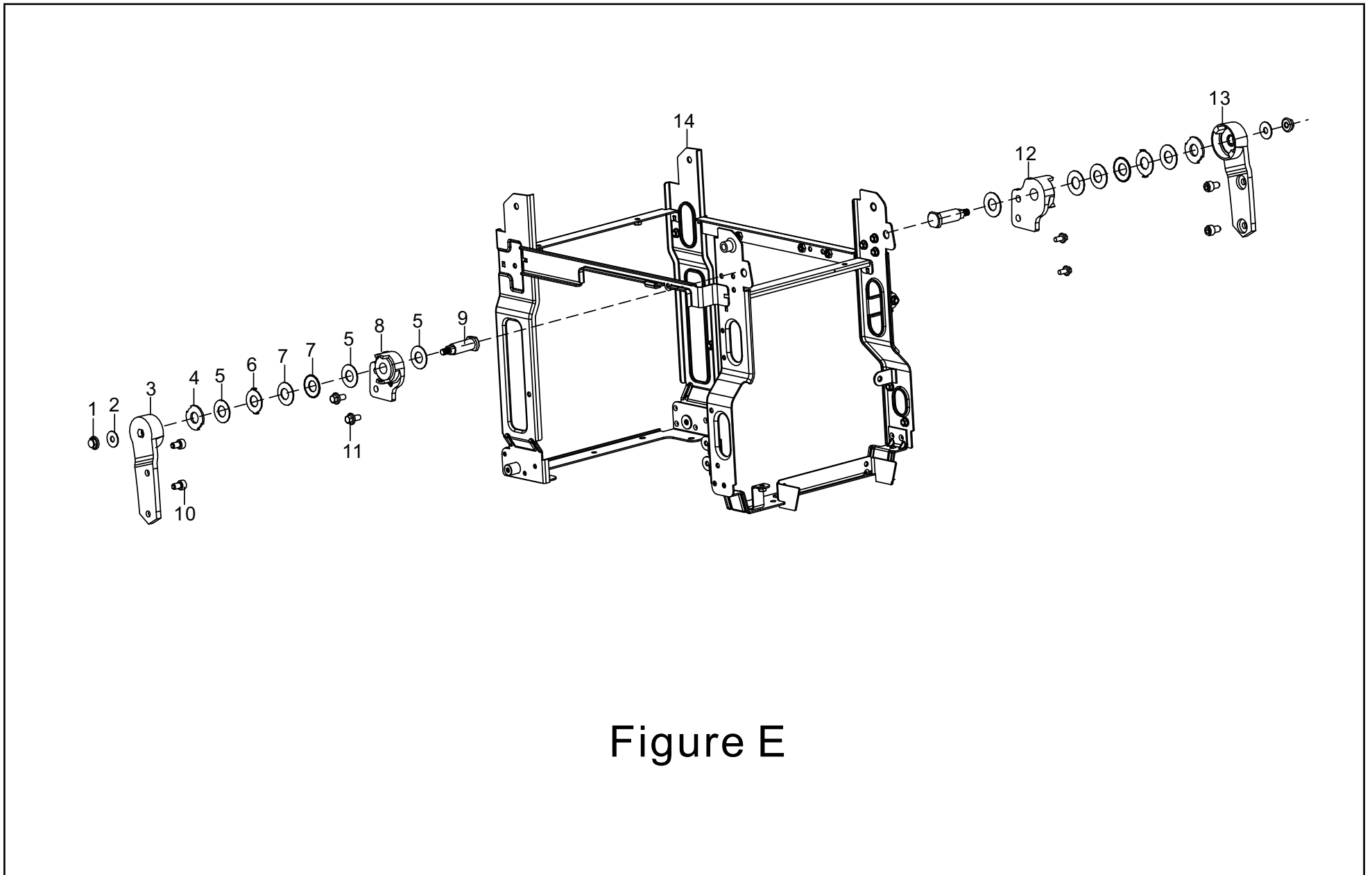


Figure E

FRAME PARTS LIST

| # | Part Number | Description | Qty. |
|----|--------------|--|------|
| 1 | 90341-000001 | Nylon Nut, M6, White Zinc | 2 |
| 2 | 90408-000015 | Flat Washer, Ø18 x 6.5 x 1.5, White Zinc | 2 |
| 3 | 54122-000001 | Left Seat 2, Handle Tube Connecting | 1 |
| 4 | 90412-000001 | Flat Washer, Ø12.2 x 27 x 2 | 2 |
| 5 | 90412-000002 | Flat Washer, Ø13 x 25 x 1, White Zinc | 6 |
| 6 | 42017-000001 | Flat Washer, Ø13 x 25 x 1, White Zinc | 2 |
| 7 | 90419-000002 | Washer, Butterfly, Ø12.2 x 25 x 1x 2, Black Zinc | 4 |
| 8 | 54113-000005 | Left Seat 1, Handle Tube Connecting | 1 |
| 9 | 26231-000001 | Shaft, Fixed Axis, Black Zinc | 2 |
| 10 | 90001-000017 | Hexagon Flange Bolt, M6 x 10, Black Zinc | 4 |
| 11 | 90007-000011 | Hexagon Flange Bolt, M6 x 16, White Zinc | 4 |
| 12 | 54113-000006 | Right Seat 1, Handle Tube Connecting | 1 |
| 13 | 54122-000002 | Right Seat 2, Handle Tube Connecting | 1 |
| 14 | 51100-000040 | Frame Assembly | 1 |

FUEL TANK PARTS DIAGRAM

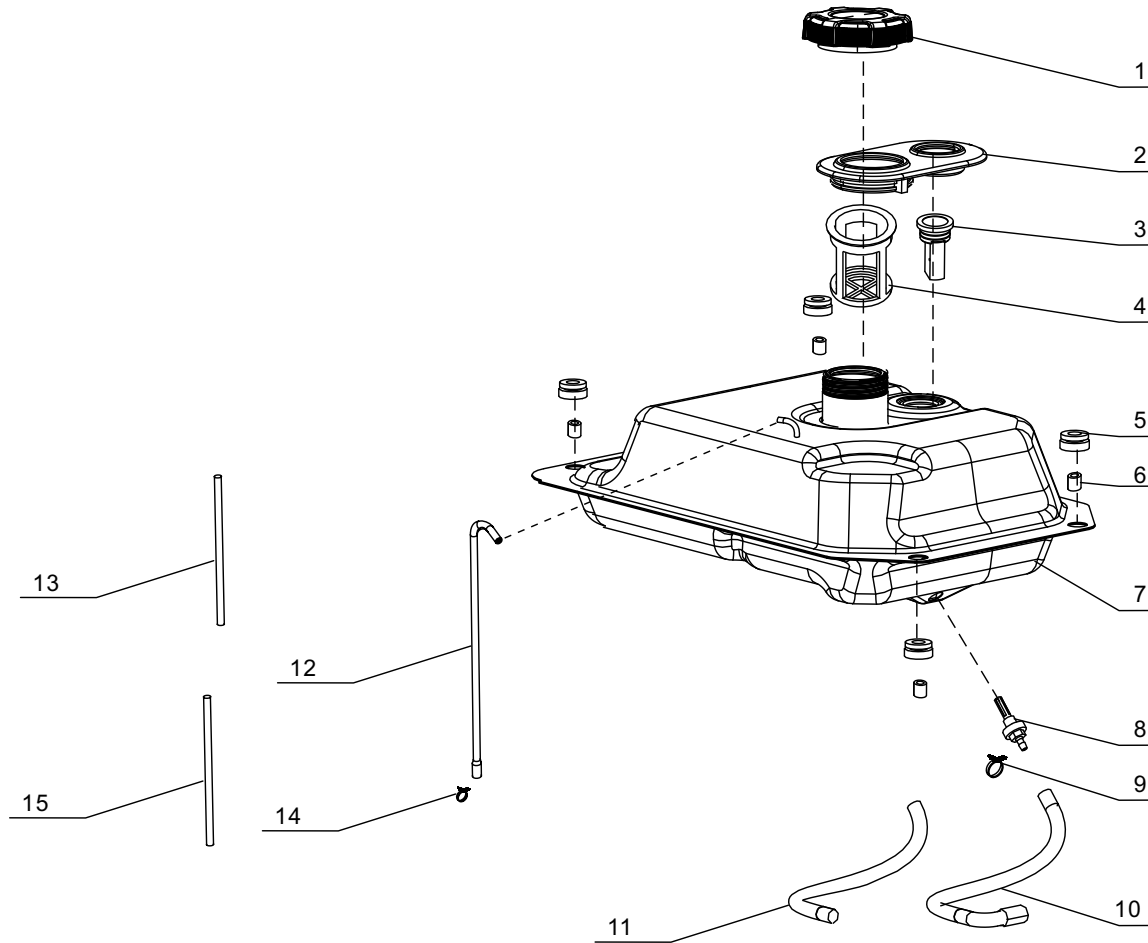


Figure F

FUEL TANK PARTS LIST

| # | Part Number | Description | Qty. |
|----|--------------|---|------|
| 1 | 16730-000011 | Fuel Tank Cap | 1 |
| 2 | 16641-000002 | Rubber Sleeve, Filling Fuel Hole | 1 |
| 3 | 37200-000006 | Fuel Gauge | 1 |
| 4 | 16652-000004 | Fuel Filter | 1 |
| 5 | 16601-000001 | Vibration Mount 1, Fuel Tank | 4 |
| 6 | 90683-000001 | Bushing, White Zinc | 4 |
| 7 | 16620-000005 | Fuel Tank | 1 |
| 8 | 16680-000001 | Fuel Tank Fuel Outlet Subassembly | 1 |
| 9 | 90685-000007 | Clamp, Ø9.5 x 0.8 x 8 | 1 |
| 10 | 90686-000007 | Tube, Carburetor, Ø4.5 x Ø8.5 x 155 | 1 |
| 11 | 30431-000001 | Rubber Sleeve, Fuel Tube, Ø9 x Ø11 x 60 | 1 |
| 12 | 16804-000014 | Tube, Air Cleaner, Ø4.5 x Ø8.5 x 375 | 1 |
| 13 | 30431-000010 | Rubber Sleeve, Fuel Tube, Ø10 x Ø11 x 180 | 1 |
| 14 | 90685-000010 | Clamp, Ø10.5 x 0.8 x 8 | 1 |
| 15 | 30431-000029 | Rubber Sleeve, Fuel Tube, Ø11.5 x Ø13 x 100 | 1 |

CONTROL PANEL PARTS DIAGRAM

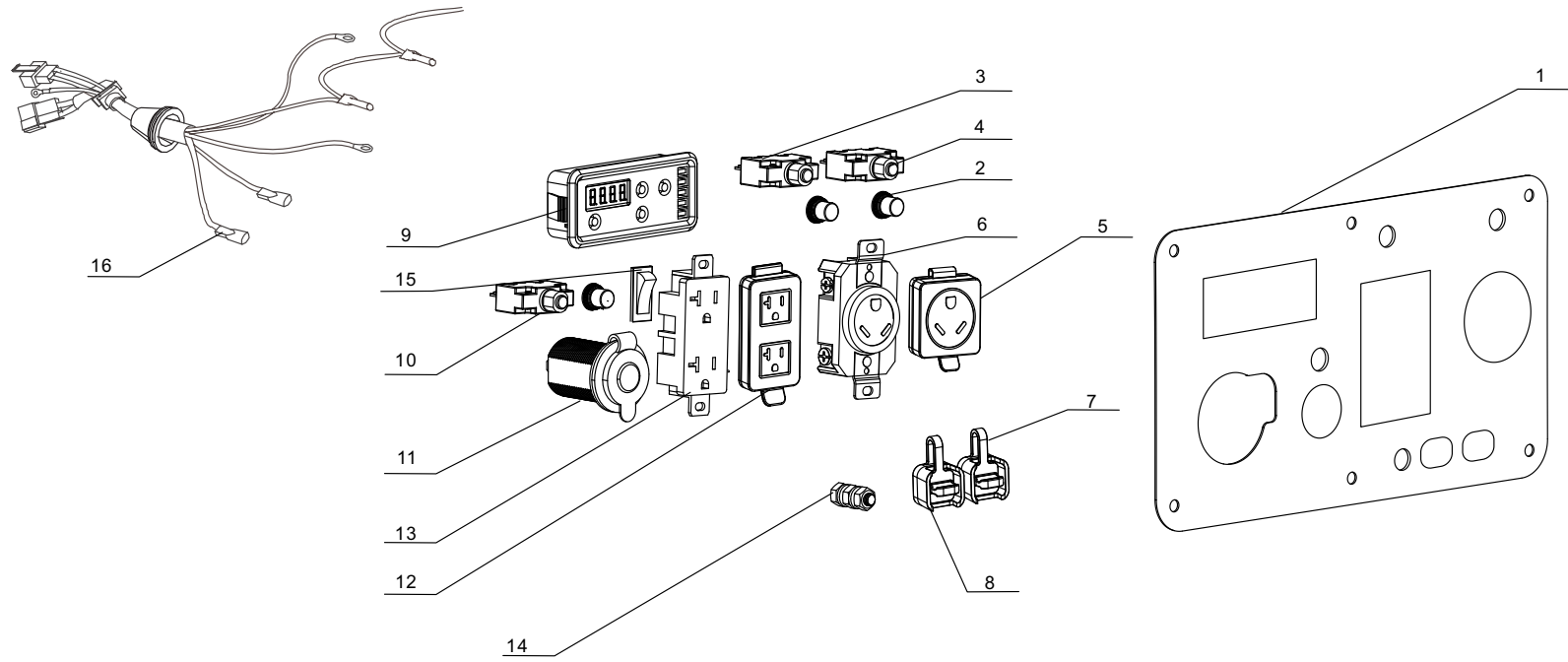


Figure G

CONTROL PANEL PARTS LIST

| # | Part Number | Description | Qty. |
|----|--------------|--|------|
| 1 | 35650-000009 | Control Panel | 1 |
| 2 | 35654-000005 | Cover, Push Button | 3 |
| 3 | 31234-000003 | 20Amp Circuit Breaker, Push Button, 125/250V | 1 |
| 4 | 31234-000007 | 30Amp Circuit Breaker, Push Button, 125/250V | 1 |
| 5 | 35654-000011 | Receptacle Cover, TT-30R | 1 |
| 6 | 35614-000007 | TT-30R Receptacle, 30A, 125V | 1 |
| 7 | 35614-000020 | Wireless Parallel, Black | 1 |
| 8 | 35614-000019 | Wireless Parallel, Red | 1 |
| 9 | 35632-000009 | Intelligauge, INT5DINV | 1 |
| 10 | 31234-000003 | 8Amp Circuit Breaker, Push Button, 125/250V | 1 |
| 11 | 35619-000001 | Automotive Receptacle, 12V DC | 1 |
| 12 | 35654-000013 | Receptacle Cover, 5-20R | 1 |
| 13 | 35614-000017 | 5-20R Receptacle, 20A, 125V | 1 |
| 14 | 35629-000001 | Grounding Terminal | 1 |
| 15 | 35160-000007 | Switch Assembly | 1 |
| 16 | 35660-000019 | Wire Harness, Control Panel | 1 |

WHEEL KIT PARTS DIAGRAM

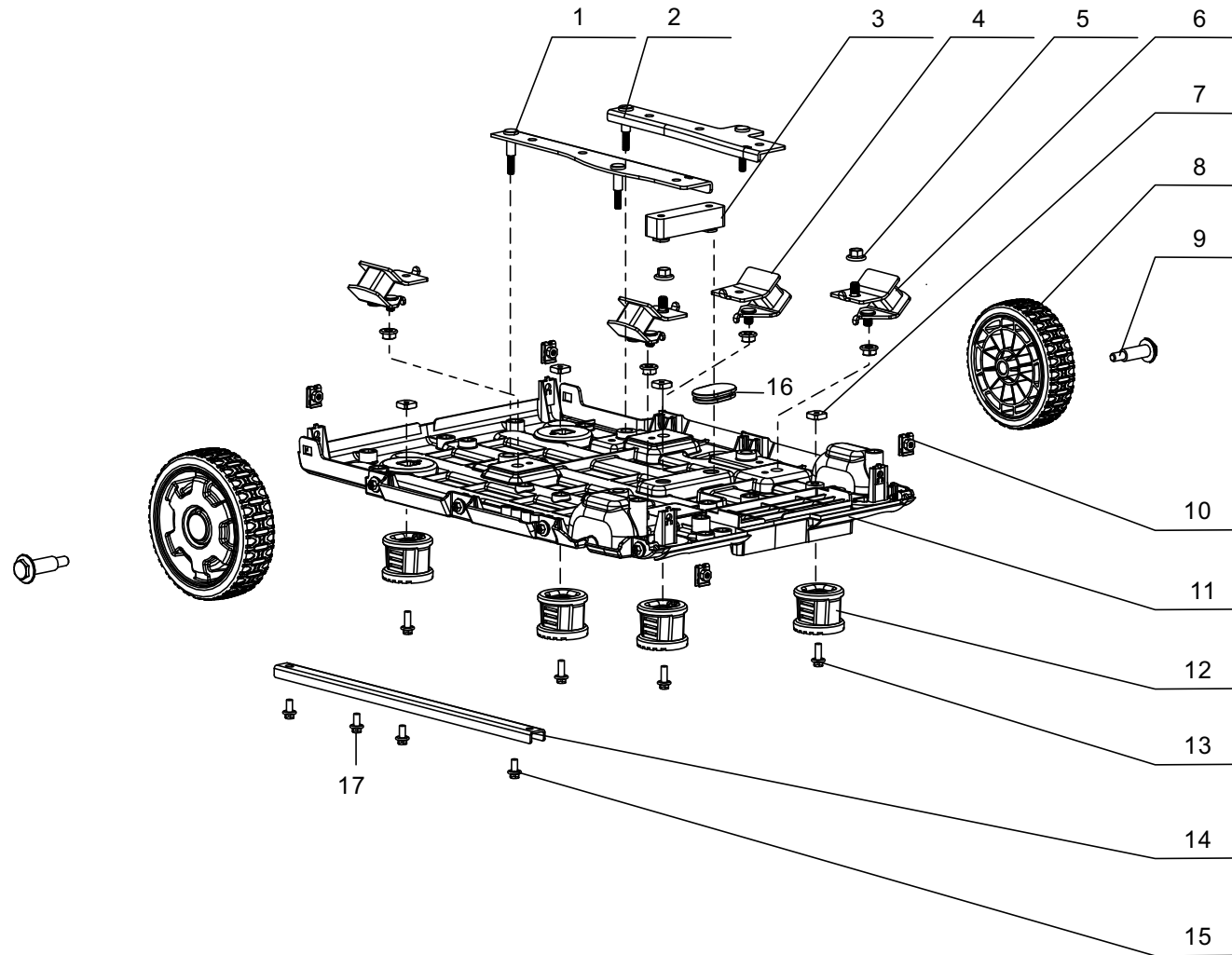


Figure H

WHEEL KIT PARTS LIST

| # | Part Number | Description | Qty. |
|----|--------------|--|------|
| 1 | 51188-000001 | Left Support, Engine | 1 |
| 2 | 51189-000001 | Right Support, Engine | 1 |
| 3 | 50035-000003 | Bracket, Cushion Rubber | 1 |
| 4 | 51011-000003 | Vibration Mount, Right, Frame | 2 |
| 5 | 90305-000010 | Hexagon Flange Nut, M8, White Zinc | 6 |
| 6 | 51009-000001 | Vibration Mount, Left, Frame | 2 |
| 7 | 90326-000001 | Square Nut, M6, White Zinc | 6 |
| 8 | 44110-000001 | 5in. Wheel, Yellow | 2 |
| 9 | 42002-000002 | Roll Pin, M8 x 15, Black Zinc | 2 |
| 10 | 17199-000003 | Clip Nut, M5, White Zinc | 4 |
| 11 | 51143-000001 | Plate, Bottom | 1 |
| 12 | 51014-000007 | Support Leg | 4 |
| 13 | 90001-000022 | Hexagon Flange Bolt, M6 x 16, White Zinc | 4 |
| 14 | 51103-000002 | Reinforcing Plate | 1 |
| 15 | 90001-000018 | Hexagon Flange Bolt, M6 x 12, White Zinc | 2 |
| 16 | 90722-000002 | Plug 2, End | 1 |
| 17 | 90007-000029 | Hexagon Flange Bolt, M6 x 10, White Zinc | 2 |

WIRING DIAGRAM

