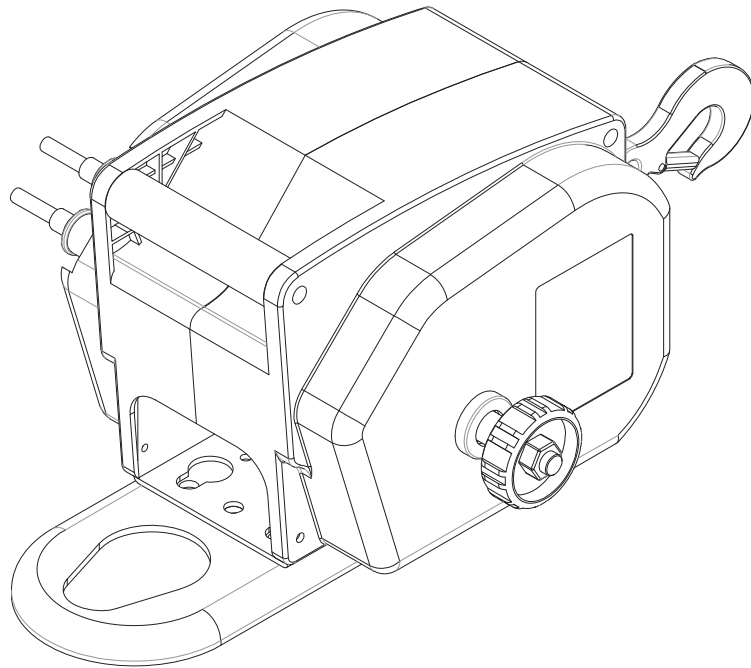




Champion Power Equipment, Inc.

MODEL #100274



PARTS INFORMATION

2,000 LB. (907 KG) UTILITY WINCH

SERIAL NUMBER RANGE: ALL



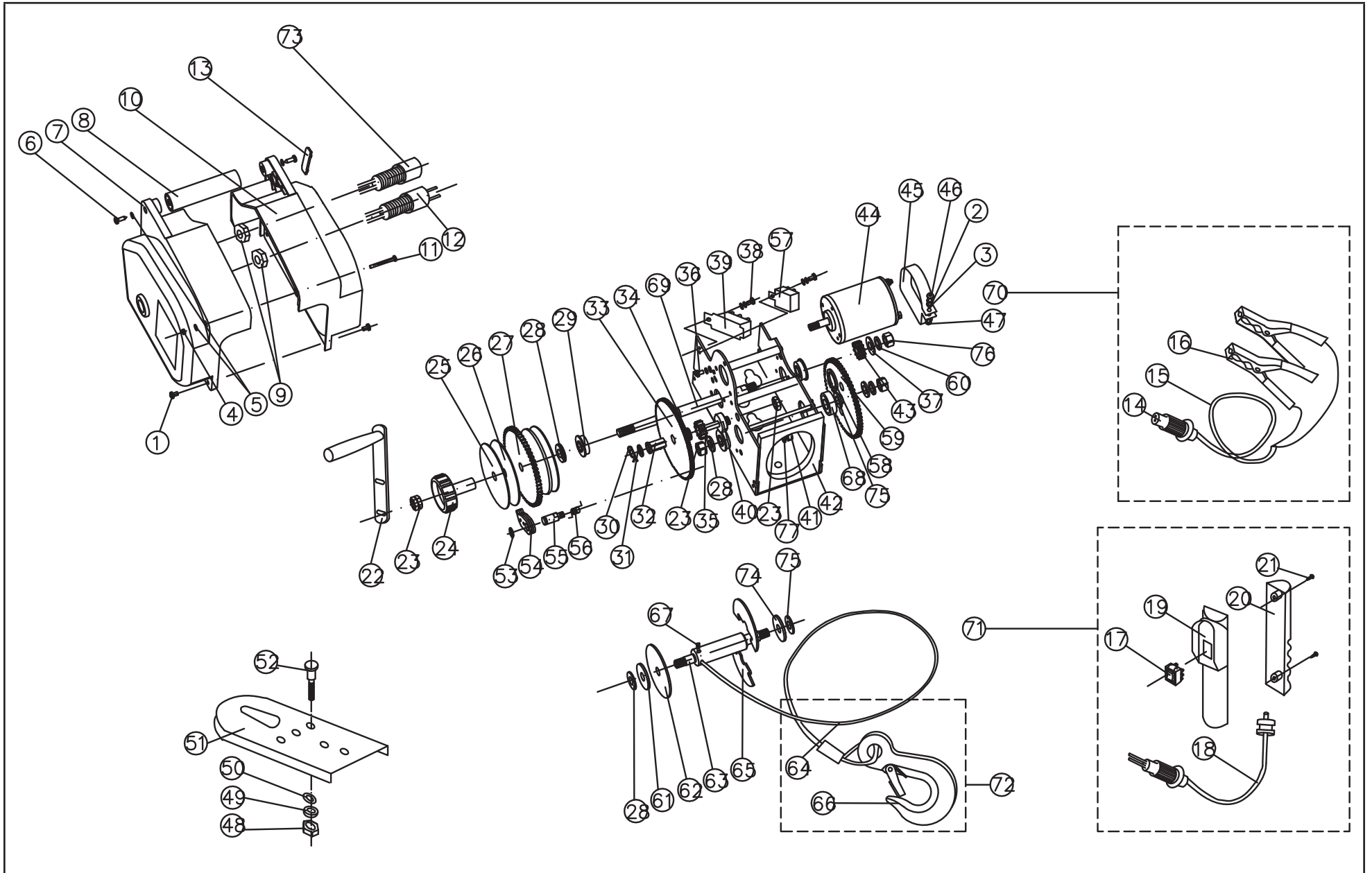
To order replacement parts please visit:
shop.championpowerequipment.com
or call **1-877-338-0999**.

TABLE OF CONTENTS

Utility Winch Parts Diagram **3**

Utility Winch Parts List..... **4**

UTILITY WINCH PARTS DIAGRAM



UTILITY WINCH PARTS LIST

#	Part Number	Description	Qty.
1	12090-001	Screw (M5 x 8)	4
2	12090-002	Lock Washer (ø5)	6
3	12090-003	Washer (ø5)	6
4	12090-004	Nut (M4)	1
5	12090-005	Washer (ø4)	3
6	12090-006	Screw (ST3.9 x 15)	2
7	12090-007	Right Shell	1
8	12090-008	Handle	1
9	12090-009	Nut (M16), PVC	2
10	12090-010	Left Shell	1
11	12090-011	Screw (M4 x 80)	1
12	12090-012	Battery Cable Socket	1
13	12090-013	Socket Cover	1
14	12090-014	Battery Cable Plug	1
15	12090-015	Battery Cable	1
16	12090-016	Battery Clamp	2
17	12090-017	Button Switch	1
18	12090-018	Remote Control Cable Assembly	1
19	12090-019	Front Remote Control Housing	1
20	12090-020	Rear Remote Control Housing	1
21	12090-021	Screw (ST3.9 x 13)	2
22	12090-022	Hand Crank	1
23	12090-023	Thin Nut (M12)	4
24	12090-024	Clutch Knob	1
25	12090-025	Friction plate cover	2
26	12090-026	Friction plate	2
27	12090-027	Large Gear Assembly II	2
28	12090-028	Washer (ø13 x 23 x 1.5)	3
29	12090-029	Bearing	3
30	12090-030	Pin	1

#	Part Number	Description	Qty.
31	12090-031	Washer (ø9)	1
32	12090-032	Shaft Assembly	1
33	12090-033	Large Gear Assembly I	1
34	12090-034	Washer	4
35	12090-035	Small Gear Assembly II	3
36	12090-036	Screw (M5 x 16)	3
37	12090-037	Washer (ø13 x 23 x 2)	3
38	12090-038	Screw (M5 x 10)	2
39	12090-039	Circuit Breaker 25A	1
40	12090-040	Shaft	1
41	12090-041	Nut (M8)	1
42	12090-042	Frame Assembly	1
43	12090-043	Small Gear Assembly III	3
44	12090-044	Motor	1
45	12090-045	Motor Clamp	1
46	12090-046	Screw (M5 x 25)	1
47	12090-047	Nut (M5)	3
48	12090-048	Nut (M10)	3
49	12090-049	Lock Washer (ø10)	3
50	12090-050	Washer (ø10)	3
51	12090-051	Adapter Plate	1
52	12090-052	Plate Stud Bolt	3
53	12090-053	Circlip(ø12)	1
54	12090-054	Claw Lock	1
55	12090-055	Shaft Lock	1
56	12090-056	Spring	1
57	12090-057	Relay	1
58	12090-058	Circlip (ø35)	1
59	12090-059	Large Gear Assembly III	1
60	12090-060	Lock Washer (ø12)	2

#	Part Number	Description	Qty.
61	12090-061	Washer (ø13 x 28 x 2)	1
62	12090-062	Left Plate	1
63	12090-063	Drum Shaft	1
64	12090-064	Wire Rope	1
65	12090-065	Right Plate	2
66	12090-066	Hook	1
67	12090-067	Screw (M5 x 10)	1
68	12090-068	Bearing (6202-ZN)	1
69	12090-069	Shaft	1
70	12090-100	Battery Cable Assembly	1
71	12090-200	Hand Remote Assembly	1
72	12090-300	Wire Rope Assembly	1
73	12090-070	Remote Control Cable Socket	1
74	12090-071	Washer (ø15 x 28 x 2)	1
75	12090-072	Washer (ø15 x 23 x 1.5)	2
76	12090-073	Thick Nut (M12)	2
77	12090-074	Lock washer (ø8)	1