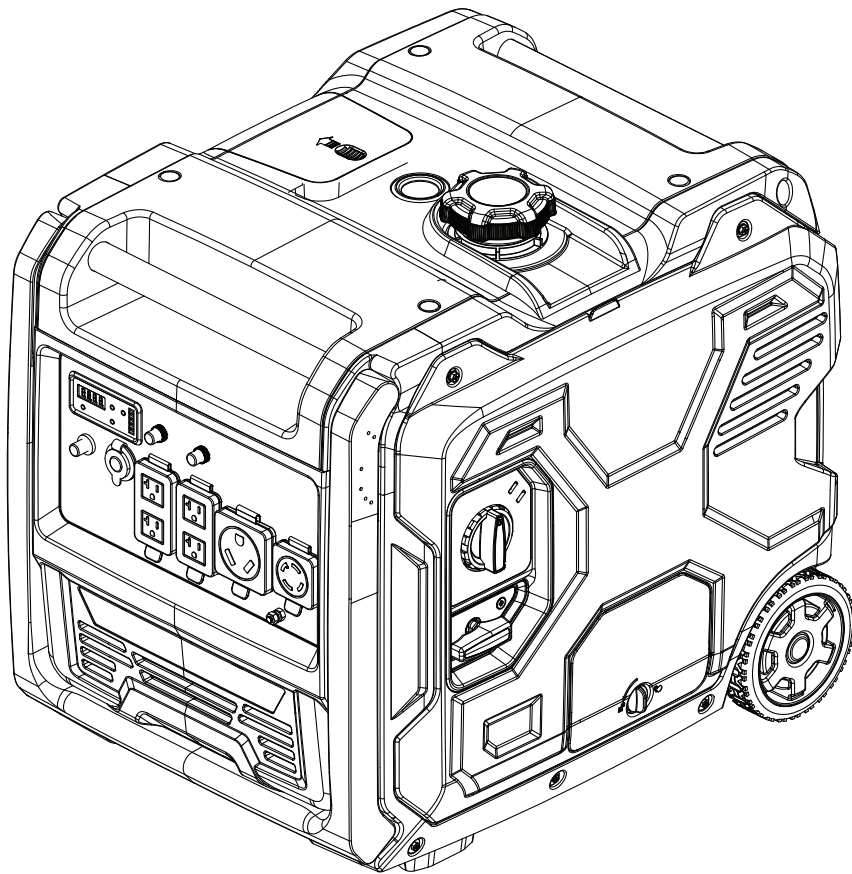


Champion Power Equipment, Inc.

**MODEL #201386**



## **PARTS INFORMATION**

**6500W PORTABLE INVERTER GENERATOR**

**SERIAL NUMBER RANGE: ALL**

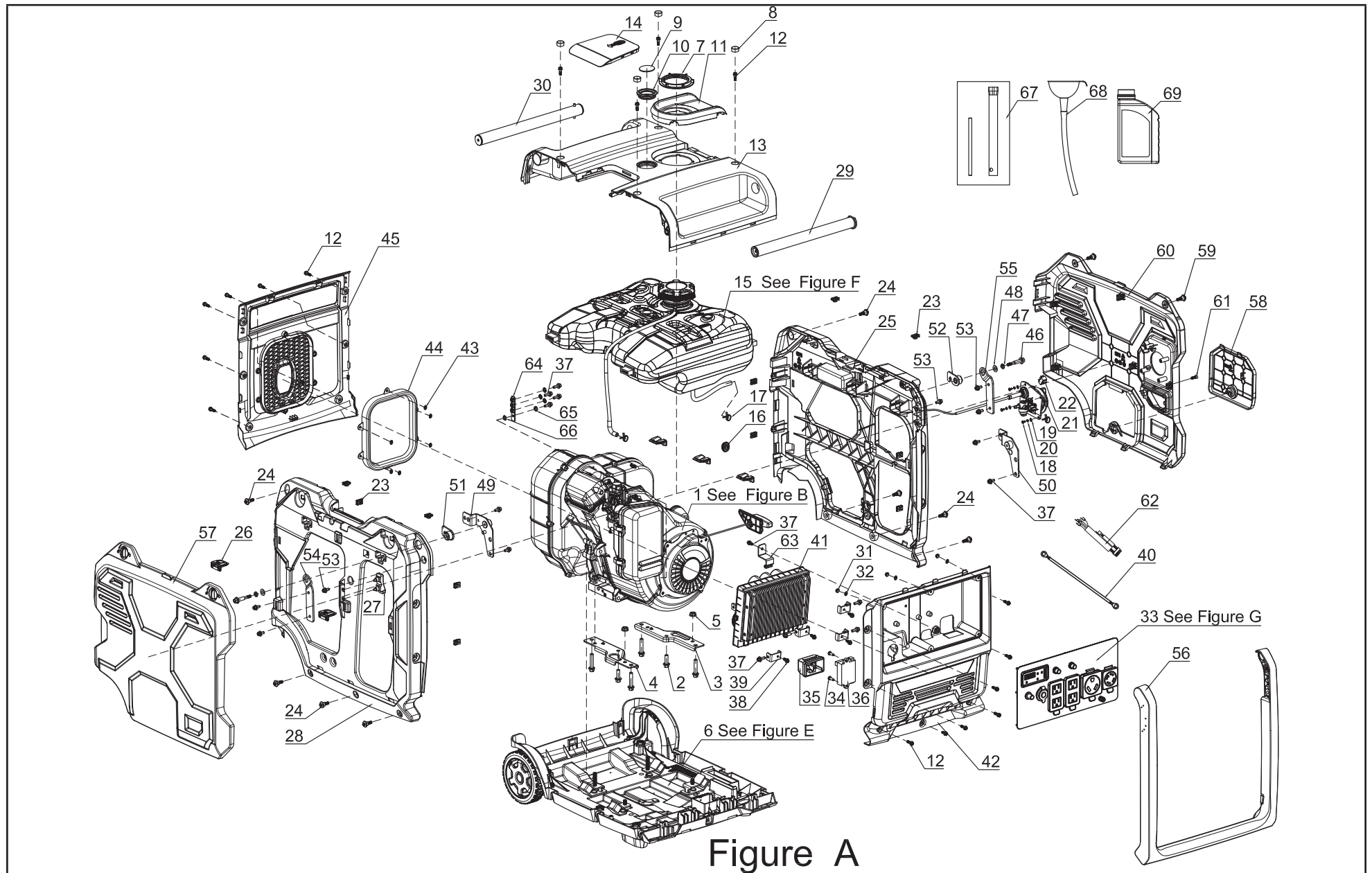


To order replacement parts please visit:  
**[shop.championpowerequipment.com](http://shop.championpowerequipment.com)**  
or call **1-877-338-0999**.

## **TABLE OF CONTENTS**

<b>Generator Parts Diagram .....</b>	<b>3</b>
<b>Generator Parts List.....</b>	<b>4</b>
<b>Engine Parts Diagram .....</b>	<b>6</b>
<b>Engine Parts List.....</b>	<b>7</b>
<b>Cylinder Head Parts Diagram .....</b>	<b>9</b>
<b>Cylinder Head Parts List .....</b>	<b>10</b>
<b>Carburetor Parts Diagram.....</b>	<b>11</b>
<b>Carburetor Parts List .....</b>	<b>12</b>
<b>Wheel Kit Parts Diagram.....</b>	<b>13</b>
<b>Wheel Kit Parts List .....</b>	<b>14</b>
<b>Fuel Tank Parts Diagram.....</b>	<b>15</b>
<b>Fuel Tank Parts List .....</b>	<b>16</b>
<b>Control Panel Parts Diagram.....</b>	<b>17</b>
<b>Control Panel Parts List .....</b>	<b>18</b>
<b>Wiring Diagram .....</b>	<b>19</b>

# GENERATOR PARTS DIAGRAM



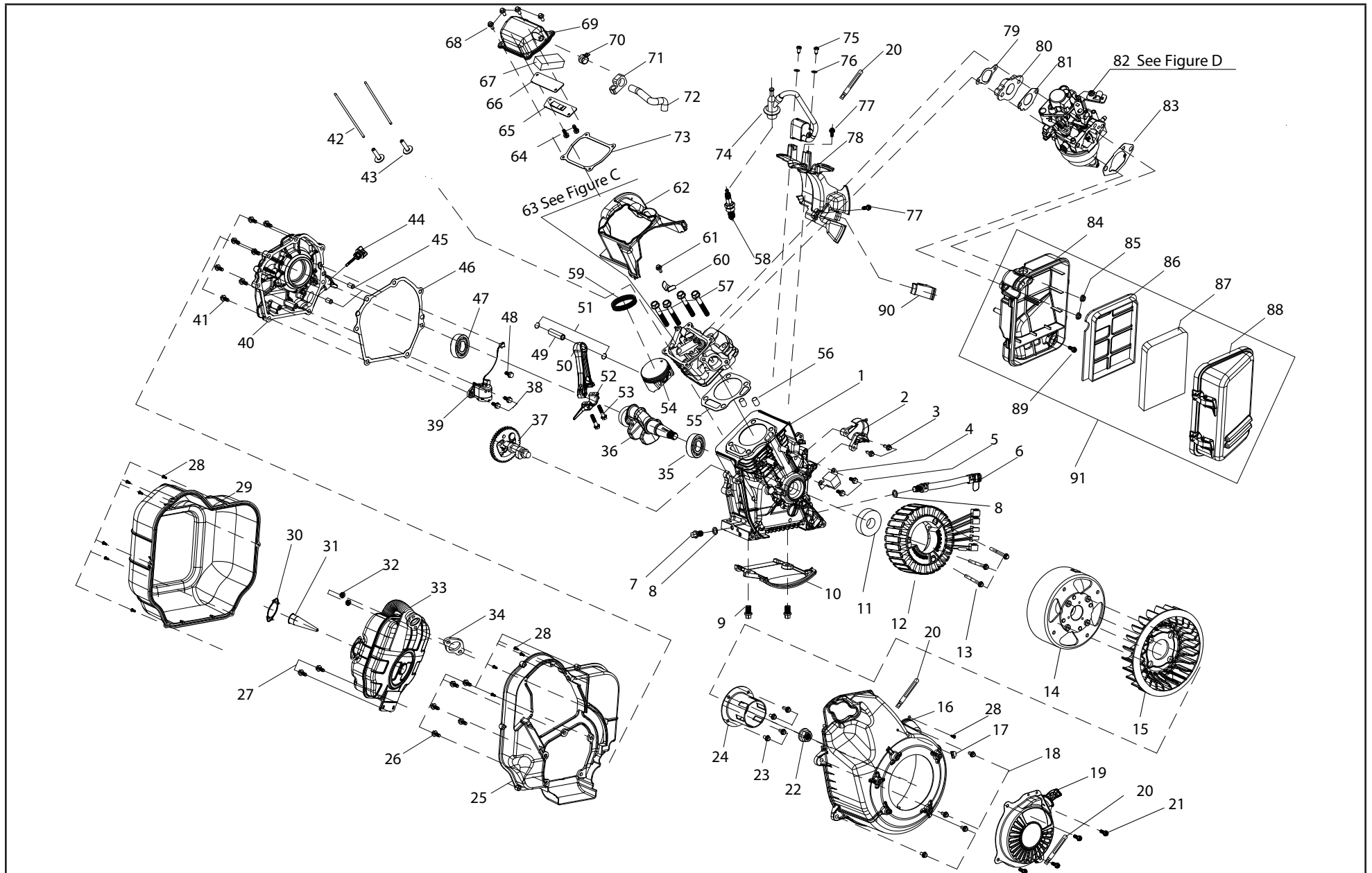
## GENERATOR PARTS LIST

#	Part Number	Description	Qty.
1	H225i-3-CCM0002	H225iD-3	1
2	91101-0825-001D0	Hexagon Flange Bolt, M8 x 1.25 x 25, Blue White Zinc	2
3	41102-G79D501-000D0	Engine Mounting Cracket, Left	1
4	41102-G79D502-000D0	Engine Mounting Cracket, Right	1
5	92201-0800-001D1	Hexagon Flange Nut, M8, Blue White Zinc	4
6	41400-G79D502-H04D0	Wheel Kit Assembly- See Figure E	1
7	25109-G79D501-H04D0	Fuel Tank Fixing Nut	1
8	23151-G79D501-H04D0	Plug,Rubber	4
9	25220-G290010-000D0	Fuel Gauge	1
10	25221-G290010-000D0	Fuel Gauge, Rubber Cushion	1
11	26233-G79D501-000D0	Fuel Filling Port Sleeve	1
12	91705-G290503-000D0	Hexagon Step Bolt, M5 x 16, Black Zinc	17
13	41460-G79D502-H04D0	Cover, Upper	1
14	41403-G79D503-H04D0	Access Panel, Spark Plug Service	1
15	25100-G79D502-H04T0	Fuel Tank Assembly - See Figure F	1
16	41422-G290501-000D0	Fastening Rubber Sleeve	1
17	95206-E010501-000D0	Clamp, Ø7.5	2
18	91202-0410-001D0	Pan Head Screw, Cross	4
19	93108-0408-001D0	Flat Gasket, Ø4, Blue White Zinc	4
20	93103-4000-001D0	Spring Washer, Ø4, Blue White Zinc	4
21	31430-G79D501-000D0	Knob, Switch Dial, Engine	1
22	36104-G790501-000D0	Switch Assembly	1
23	92319-G290501-000D0	Clip Nut, M5, Blue White Zinc	12
24	91705-G220501-000D0	Hexagon Step Bolt, M6 x 20, Black Zinc	8
25	41430-G79D502-H04D0	Shell, Right	1
26	65419-G79D000-000D0	Retainer Plate	5
27	41433-G79D501-H04D0	Rubber Cushion Support	1
28	41420-G79D502-H04D0	Shell, Left	1
29	44410-G79D502-H02D0	Arm 1, Front	1

#	Part Number	Description	Qty.
30	44410-G79D501-H02D0	Arm 1, Rear	1
31	92201-0400-001D0	Hexagon Flange Nut, M4 x 0.7, Blue White Zinc	6
32	93104-0412-001D0	Flat Washer, Ø4 x Ø12 x 1 Blue White Zinc	6
33	36100-G79D505-H02T0	Control Panel Assembly- See Figure G	1
34	91206-4816-001D0	Pan Head Tapping Screw, Cross	2
35	31311-G79D000-000D0	Rubber Sleeve	1
36	5.1830.022	CO Detection Module	1
37	91101-0612-001D0	Hexagon Flange Bolt, M6 x 12, Blue White Zinc	13
38	91107-0512-001D0	Hexagon Flange Bolt, M5 x 12, Blue White Zinc	5
39	36314-G79B000-H02D0	Inverter Mounting Bracket	4
40	36168-G170502-000D0	Grounding Wire	1
41	36300-G79B506-000D0	Inverter, 5/5.5KW, 120V/240V, 60Hz	1
42	36103-G79D502-H04D0	Control Panel Housing	1
43	93208-G290501-000D0	Bearing Clamp Retaining Ring	6
44	23018-G79B501-000D0	Insulator Glue Cushion, Muffler	1
45	23011-G79D502-H04D0	Muffler Housing	1
46	91714-G79D000-001D0	Hexagon Step Bolt, Flange, M6 x 13, Blue White Zinc	2
47	93103-0821-001D0	Spring Washer, 8 x 2.1, Blue White Zinc	2
48	93108-0816-001D0	Flat Gasket, Ø8 , Blue White Zinc	2
49	44402-G79D501-000D0	Arm Support, Left	1
50	44402-G79D502-000D0	Arm Support, Right	1
51	44412-G79D503-H02D0	Arm Connecting Seat 1, Left	1
52	44412-G79D504-H02D0	Arm Connecting Seat 1, Right	1
53	91101-0612-002D0	Hexagon Flange Bolt, M6 x 12, Blue White Zinc	4
54	44412-G79D501-H02D0	Arm Connecting Seat 2, Left	1
55	44412-G79D502-H02D0	Arm Connecting Seat 2, Right	1

#	Part Number	Description	Qty.
56	44410-G79D504-H04D0	Arm Assembly	1
57	41421-G79D502-Y01D0	Cover Board, Left	1
58	41403-G79D504-Y01D0	Side Access Panel, Oil Service	1
59	91705-G290502-000D0	Hexagon Step Bolt, M5 x 12, Black Zinc	2
60	41431-G79D503-Y01D0	Cover Board, Right	1
61	91203-0512-002D0	Countersunk Head Screw, Cross, M5 x 12	1
62	31402-G79D000-000D0	Control Wiring Harness	1
63	41228-G79D000-000D0	Bracket, Q235, Blue White Zinc	1
64	36153-G79D501-000D0	Ground Terminal Nut, M6, Q235, Blue White Zinc	1
65	93103-0616-001D0	Spring Washer, 6 x 1.6, Blue White Zinc	1
66	93113-6511-000D0	Lock Washer, Ø6.5 x Ø11 x 0.6	4
67	96104-G79D501-000D0	Spark Plug Sleeve	1
68	96401-G79D501-000D0	Oil Funnel, 220mm	1
69	82007-G79D501-000D0	Oil Bottle, 0.65L	1

# ENGINE PARTS DIAGRAM



**ENGINE PARTS LIST**

#	Part Number	Description	Qty.
1	13310-E203501-00000	Crankcase Assembly	1
2	26203-E203501-00000	Wind Block 1	1
3	91101-0632-001D0	M6 x 32 Hexagon Flange Bolt	2
4	31340-E203501-000D0	Trigger	1
5	91101-0612-001D0	M6 x 12 Hexagon Flange Bolt	2
6	13020-G79D501-00000	Oil Drain Hose Assembly, Ø9.5 x Ø17 x 250	1
7	91709-E010010-000D0	M10 x 15 Oil Drain Bolt	1
8	93116-E010010-00000	Flat Washer, Ø10 x Ø15 x 1.5	2
9	91101-0610-001D0	M6 x 12 Hexagon Flange Bolt	2
10	26232-E203501-00000	Crankcase Bottom Shroud	1
11	90001-E090030-00000	Oil Seal, Ø30 x Ø46 x 8	1
12	33310-G79D501-000D0	Stator Component, Ø156 x 45	1
13	91101-0660-001D0	M6 x 60 Hexagon Flange Bolt	3
14	33330-G79D501-000D0	Rotor Component, Ø180 x 73	1
15	26201-E203501-00000	Engine Cooling Fan	1
16	28140-E203501-H0400	Engine Shroud	1
17	95203-E040010-00000	Clip, Ø10	1
18	91101-0620-001D0	M6 x 20 Hexagon Flange Bolt	4
19	28110-E200505-H0200	Recoil Starter Assembly	1
20	91719-E180501-00000	Recoil Starter Clamp	2
21	91101-0612-001D0	M6 x 12 Hexagon Flange Bolt	4
22	92403-E040501-000D0	M16 x 1.5 Hexagon Flange Nut	1
23	91101-0616-001D0	M6 x 16 Hexagon Flange Bolt	4
24	28001-E203501-000D0	Starter Pulley	1
25	260012-E203501-00000	Muffler Front Guard	1
26	91107-0516-001D0	M5 x 16 Hexagon Flange Bolt	5
27	91101-0616-001D0	M6 x 16 Hexagon Flange Bolt	2
28	91206-4213-002D0	Pan Head Tapping Screw, Cross, ST4.2 x 13	11
29	26001-E203502-00000	Muffler Rear Guard	1
30	31320-E203501-00000	Spark Plug Cap Assembly	1

#	Part Number	Description	Qty.
31	23190-E203501-00000	Spark Arrester assembly	1
32	92101-0800-001D0	Hexagon Nut Type 1, M8 x 1.25	2
33	23100-E203502-H0200	Muffler	1
34	23001-E203501-00000	Exhaust Port Gasket	1
35	94100-6306-00000	Bearing 6306	1
36	15310-E203501-00000	Crankshaft Assembly	1
37	17210-E203501-00000	Camshaft Assembly	1
38	91101-0616-001D0	M6 x 16 Hexagon Flange Bolt	2
39	31080-E203502-000D0	Engine Oil Sensor	1
40	13410-E203501-00000	Crankcase Cover	1
41	91101-0832-001D0	M8 x 32 Hexagon Flange Bolt	7
42	17010-E203501-00000	Valve Lifter	2
43	17021-E203501-00000	Valve Tappet	2
44	19010-E203501-H0100	Oil Dipstick Assembly	1
45	93302-0814-00001	Pin, Ø8 x 14	2
46	13001-E203501-00000	Crankcase Gasket	1
47	94100-6205-00002	Bearing 6205	1
48	91101-0612-001D0	M6 x 10 Hexagon Flange Bolt	1
49	15121-E281010-00000	Piston Pin	1
50	15011-E203501-00000	Connecting Rod Shaft	1
51	15122-E070010-00000	Piston Pin Clip	2
52	15012-E203501-00000	Connecting Rod Cap	1
53	91710-E010010-00000	M7x32 Connecting Rod Bolt	2
54	15100-E203501-00000	Piston	1
55	11131-E203501-00000	Cylinder Head Gasket	1
56	93302-1016-00001	Pin, Ø10 x 16	2
57	91718-E203502-000D0	M8 x 60 Cylinder Head Bolt	4
58	31110-E010010-00000	Spark Plug, F7RTC	1
59	15200-E030030-00010	Piston Ring	1
60	17301-E203501-00000	Rocker Arm Shaft Block	1

#	Part Number	Description	Qty.
61	91101-0616-001D0	M6 x 16 Hexagon Flange Bolt	1
62	26235-E203501-00000	Deflector, Cylinder Head	1
63	11100-E203501-00000	Cylinder Head Assembly, See Figure C	1
64	91101-0510-001D0	M5 x 10 Hexagon Flange Bolt	2
65	11431-E203501-00000	Breather Groove Cover	1
66	11432-E203501-00000	Breather Groove Cover Gasket	1
67	19211-E200010-00000	Oil screen	1
68	91101-0620-001D0	M6 x 20 Hexagon Flange Bolt	4
69	11410-E203501-00000	Cylinder Head Cover Assembly	1
70	95206-E203501-000D0	Clip, Ø14.5	1
71	41422-G170010-000D0	Fastening Rubber Sleeve	1
72	22004-E203501-00000	Breather Tube	1
73	11401-E203501-00000	Cylinder Head Cover Gasket	1
74	31300-E203506-000Y0	Ignition Coil	1
75	91206-4213-002D0	Pan Head Tapping Screw, Cross ST4.2 x 13	2
76	93104-0515-001D0	Flat Washer, Ø5 x Ø15 x 1	2
77	91101-0612-001D0	M6 x 12 Hexagon Flange Bolt	2
78	26231-E203501-00000	Crankcase Upper Shroud	1
79	22002-E203501-00000	Carburetor Insulator Gasket	1
80	22006-E203501-00000	Carburetor Insulator Plate	1
81	22007-E203501-00000	Carburetor Gasket	1
82	25300-E201501-00000	Carburetor Assembly, See Figure D	1
83	22001-E203501-00000	Air Cleaner Gasket	1
84	22140-E203501-000I0	Air Cleaner Base Assembly	1
85	92201-0600-001D0	M6 Hexagon Flange Nut	2
86	22111-E203501-00000	Bottom Case, Air Cleaner Element	1
87	22130-E203501-00000	Air Cleaner Element Assembly	1
88	22115-E203501-00000	Air Cleaner Cover	1
89	91107-0616-001D0	M6 x 16 Hexagon Flange Bolt	1
90	13006-E203501-00000	Motor Harness Outlet Block	1
91	22100-E203502-000I0	Air Cleaner Assembly	1



# CYLINDER HEAD PARTS DIAGRAM

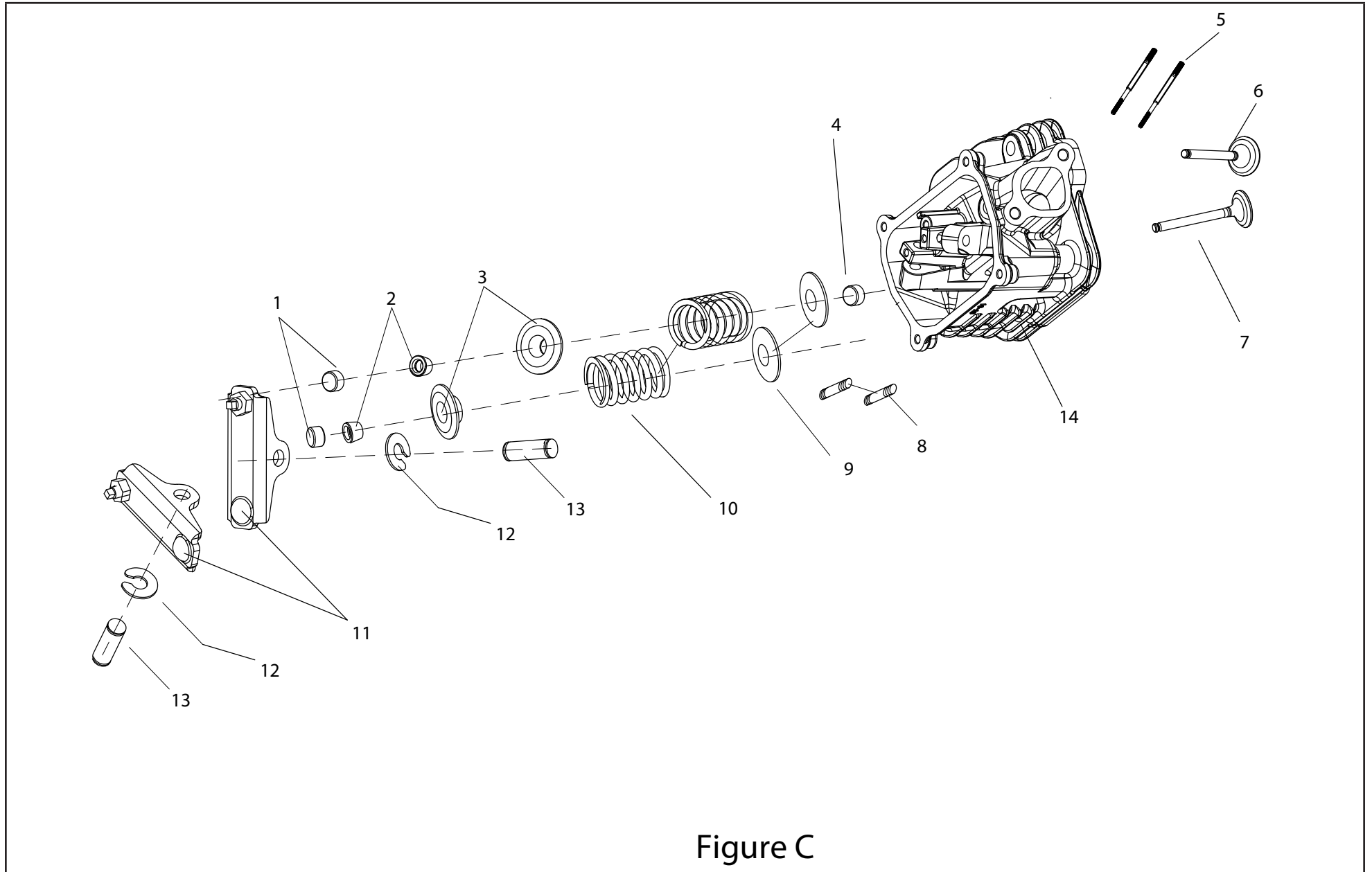


Figure C

**CYLINDER HEAD PARTS LIST**

#	Part Number	Description	Qty.
1	11103-E010010-00000	Valve Adjusting Cap	2
2	11108-E203000-00000	Valve Lock Clamp	4
3	11105-E203501-00000	Valve Rocker Subassembly	2
4	11101-E140010-Z0100	Seal Guide	1
5	91707-E203501-000D0	Stud, M6-M8 x 115	2
6	11122-E203501-00000	Exhaust Valve	1
7	11121-E203501-00000	Inlet Valve	1
8	91708-E010501-000D0	M8 x 34 Stud	2
9	11104-E203501-00000	Valve Spring Retainer	2
10	11102-E203501-00000	Valve Spring	2
11	17310-E203501-00000	Valve Rocker Subassembly	2
12	93205-0601-00000	Retainer Ring	2
13	17341-E203501-00000	Valve Rocker Shaft	2
14	11140-E203501-00000	Cylinder Head	1

# CARBURETOR PARTS DIAGRAM

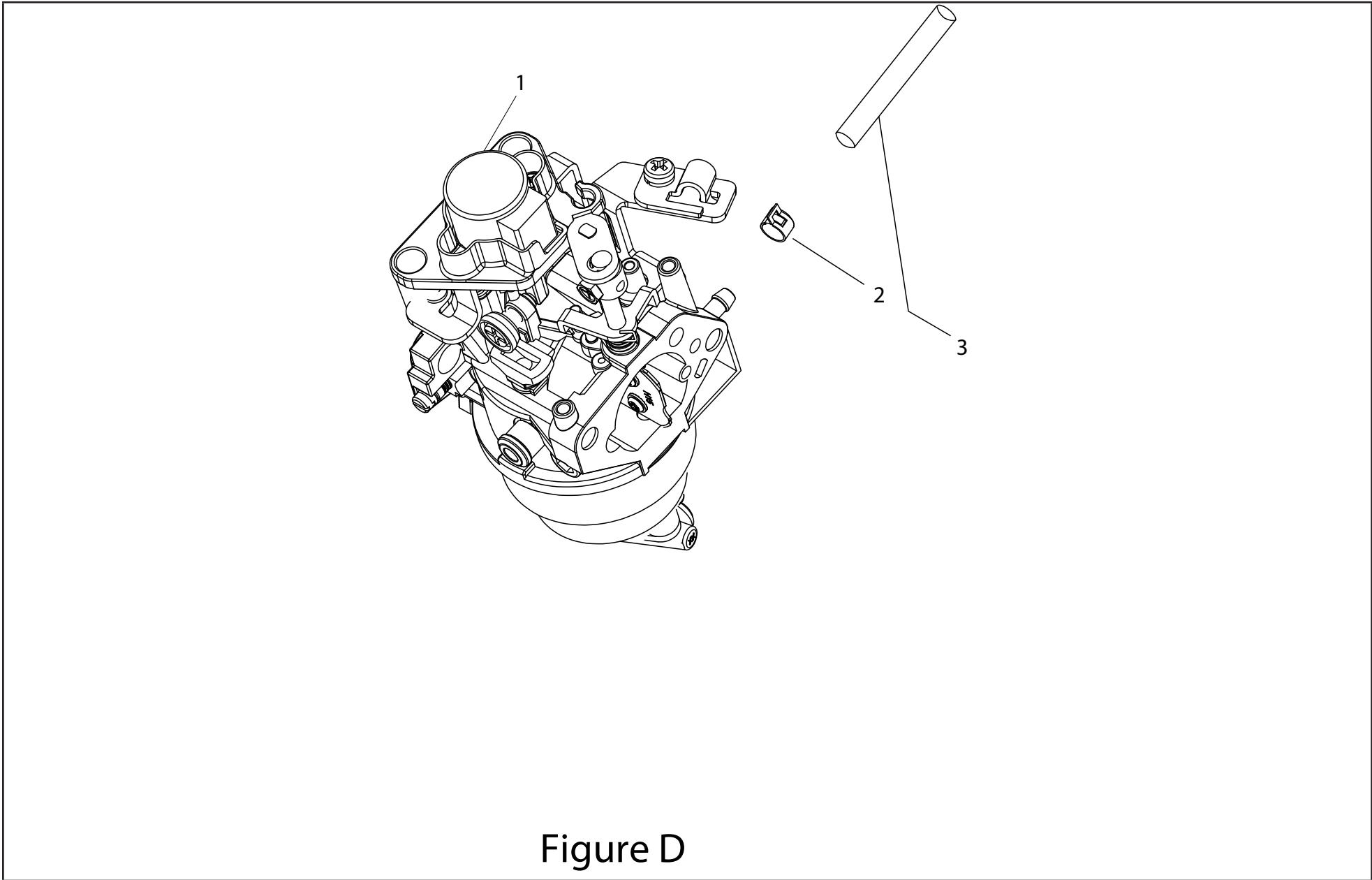


Figure D

**CARBURETOR PARTS LIST**

#	Part Number	Description	Qty.
1	25300-E203508-000I0	Carburetor	1
2	95206-E203502-000D0	Clamp, Ø9.5	1
3	25130-E203504-000I0	Fuel Tube, Ø6 x Ø10 x 245	1

# WHEEL KIT PARTS DIAGRAM

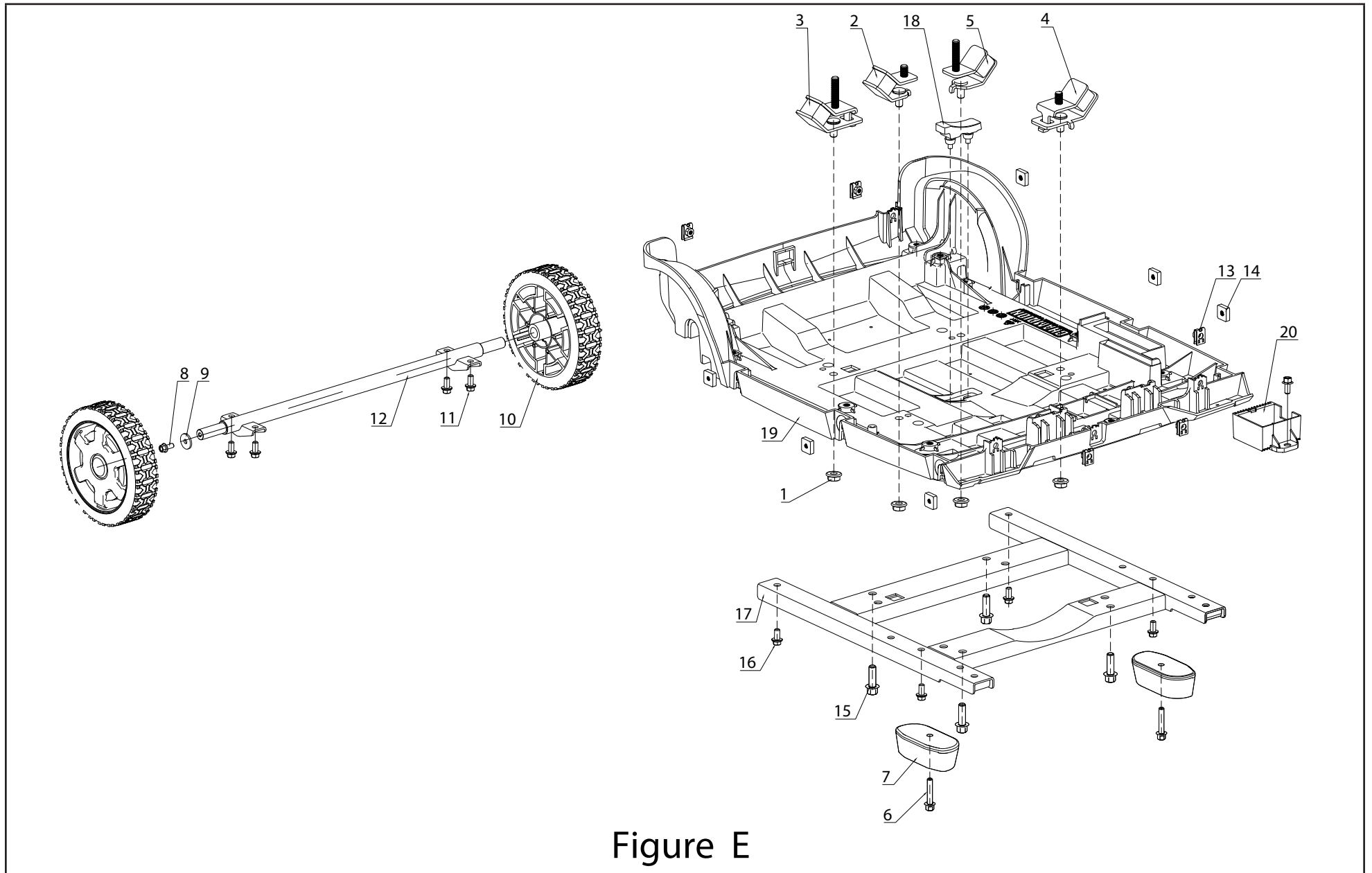


Figure E

**WHEEL KIT PARTS LIST**

#	Part Number	Description	Qty.
1	92201-0800-001D0	M8 Hexagon Flange Nut	4
2	41110-G79B501-000D0	Vibration Mount 1, Left, Frame	1
3	41110-G79B502-000D0	Vibration Mount 2, Left, Frame	1
4	41120-G79B501-000D0	Vibration Mount 1, Right, Frame	1
5	41120-G79B502-000D0	Vibration Mount 2, Right, Frame	1
6	91101-0630-001D0	M6 x 30 Hexagon Flange Bolt	2
7	41130-G220010-000D0	Rubber Foot	2
8	91101-0512-001D0	M5 x 12 Hexagon Flange Bolt	2
9	93107-0618-001D0	Flat Washer, Ø6 x Ø18 x 1.6	2
10	44220-G79D501-H04D0	5in. Wheel, Yellow	2
11	91101-0614-001D0	M6 x 14 Hexagon Flange Bolt	8
12	44110-G79D501-000D0	Axle assembly	1
13	92319-G290501-000D0	M5 Clip Nut, M5	5
14	92318-G290501-000D0	M6 Square Nut	6
15	91714-G79D001-000D0	Hexagon Step Flange Bolt, Orange	4
16	91101-0612-001D0	M6 x 12 Hexagon Flange Bolt	1
17	41214-G79D000-H02D0	Bracket, Q235A	1
18	41433-G79D501-H04D0	Rubber Cushion Support	1
19	41410-G79D502-H04D0	Wheel Kit	1
20	31150-G79D501-000D0	DC Module	1

# FUEL TANK PARTS DIAGRAM

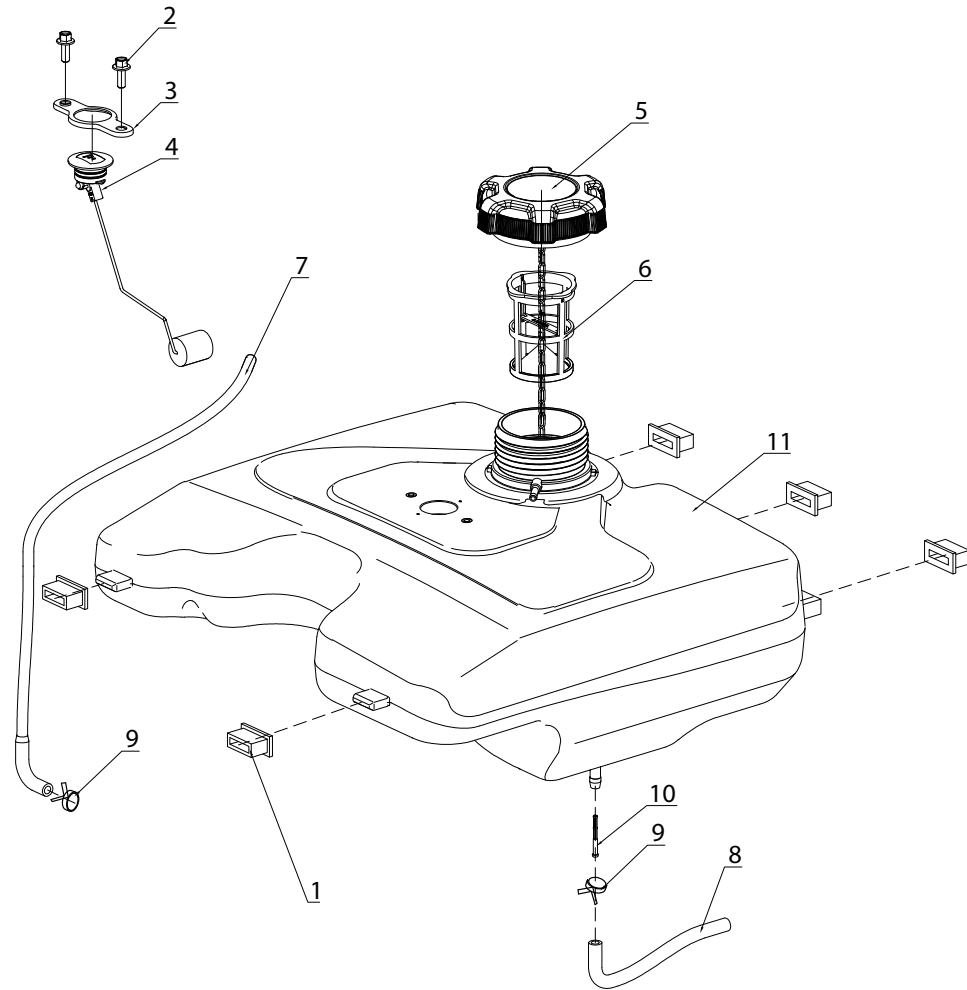


Figure F

**FUEL TANK PARTS LIST**

#	Part Number	Description	Qty.
1	25108-G79K501-000D0	Fuel Tank Support Rubber Sleeve	5
2	91101-0610-001D0	M6 x 10 Hexagon Flange Bolt	2
3	25214-G290501-000D0	Fuel Gauge Coverplate	1
4	25210-G79D501-000D0	Fuel Gauge	1
5	25110-G79D501-H04D0	Fuel Tank Cap	1
6	25190-G79D501-000D0	Fuel Filter, Fuel Tank	1
7	25501-G79D501-000D0	Fuel Tube Rubber Sleeve	1
8	25130-G79D501-000K0	Fuel Tube, Ø4.5 x Ø8.5 x 135	1
9	95206-G290501-000D0	Clamp, Ø10	2
10	25190-G290030-000D0	Fuel Filter, Fuel Tube	1
11	25140-G79D502-H04T0	Fuel Tank	1
12	25134-G79D501-000D0	Fuel Tube Sleeve	1



# CONTROL PANEL PARTS DIAGRAM

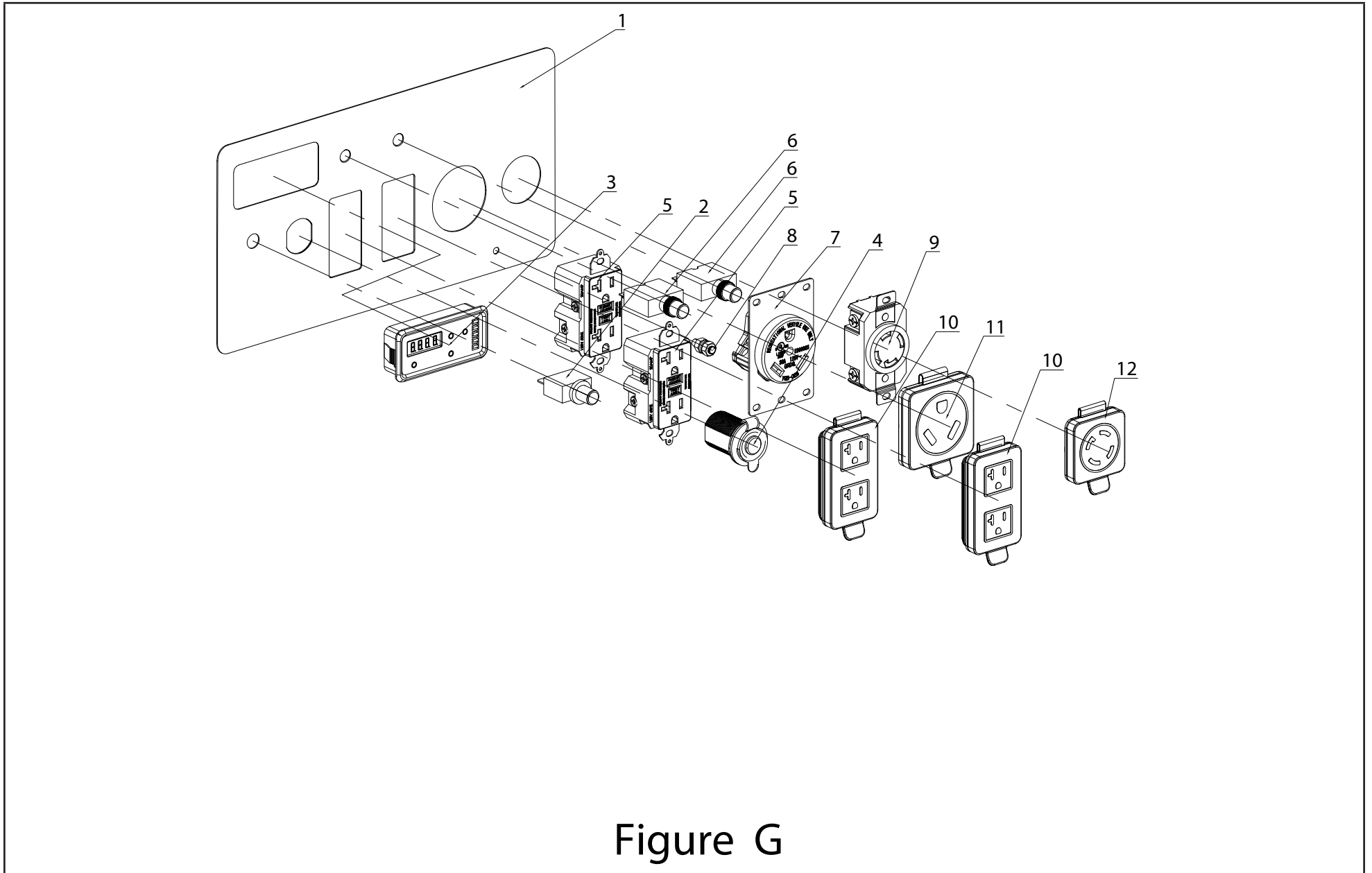


Figure G

**CONTROL PANEL PARTS LIST**

#	Part Number	Description	Qty.
1	36121-G79D501-00000	Control Panel, B-1.0	1
2	36131-G030502-00000	Overcurrent Protector, 8A, Waterproof Cap	1
3	36126-G790501-000D0	Intelligauge, INT5CINV	1
4	36134-G110010-00000	Automotive Receptacle, 12V DC	1
5	36132-G030080-00000	5-20R GFCI Receptacle, 20A, 125V	2
6	36131-G030504-00000	20Amp Circuit Breaker, Push Button	2
7	36132-G240503-00000	TT-30R Receptacle, 30A, 125V	1
8	36153-G290501-00000	Grounding Terminal	1
9	36132-G030040-00000	L14-30R Receptacle, 30A, 250V	1
10	36163-G290010-00000	Receptacle Cover, 5-20R	2
11	36163-G240502-00000	Receptacle Cover, TT-30R	1
12	36163-G030050-00000	Receptacle Cover, L14-30R	1

# WIRING DIAGRAM

