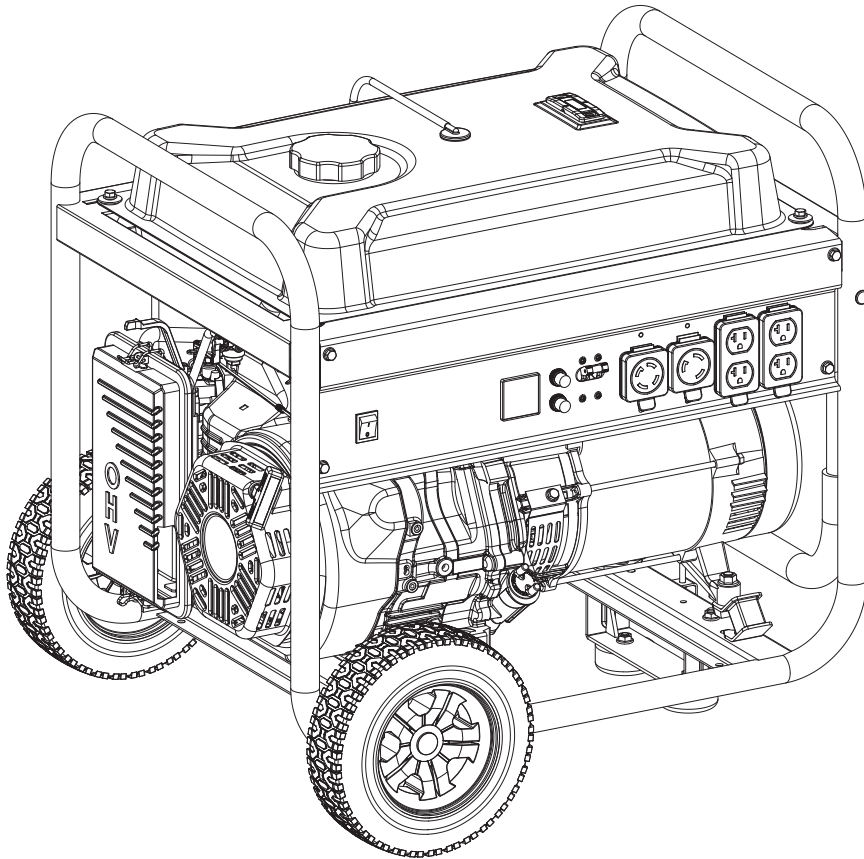




MODEL #055-0423-4



PARTS INFORMATION

7500W PORTABLE GENERATOR

SERIAL NUMBER RANGE: ALL



For Customer Assistance Please Call:

1-844-428-7277

TABLE OF CONTENTS

Generator Parts Diagram 3

Generator Parts List..... 4

Engine Parts Diagram 5

Engine Parts List..... 6

Cylinder Head Parts Diagram 8

Cylinder Head Parts List 9

Alternator Parts Diagram..... 10

Alternator Parts List 11

Fuel Tank Parts Diagram..... 12

Fuel Tank Parts List 13

Control Panel Parts Diagram..... 14

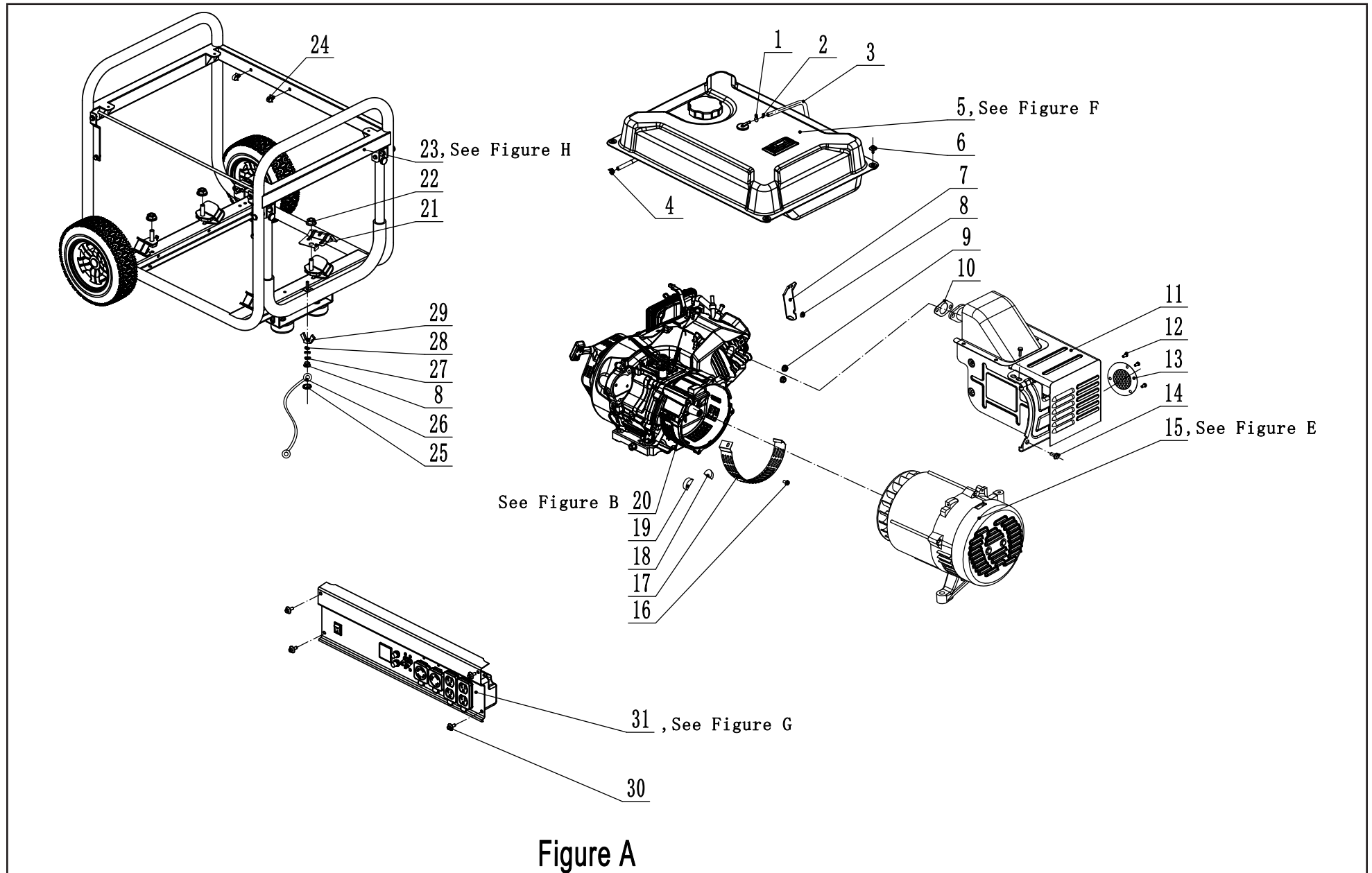
Control Panel Parts List 15

Frame Assembly Parts Diagram..... 16

Frame Assembly Parts List 17

Wiring Diagram 18

GENERATOR PARTS DIAGRAM



GENERATOR PARTS LIST

#	Part Number	Description	Qty.
1	2.06.006	Clamp, Ø7 x Ø1	1
2	24.070030.00	Breather Tube Hole	1
3	152.070014.08	Reversal Valve Tube	1
4	2.06.007	Clamp Ø8.2 x b8	1
5	152.070000.54.25	Fuel Tank, 23.1L, Green, See Figure F	1
6	2.08.143.1	M6 x 20 Flange Bolt/Washer Assembly	4
7	45.090006.20	Air Cleaner Holder	1
8	1.6177.1.06	M6 Flange Lock Nut	2
9	1.6177.1.08	M8 Flange Lock Nut	2
10	46.100001.07	Exhaust Gasket	1
11	46.101000.01.2	Muffler Assembly	1
12	1.9074.4.0510	M5 x 10 Screw/Washer Assembly	3
13	46.101300.00	Spark Arrester Assembly	1
14	1.16674.0820	M8 x 20 Flange Bolt	2
15	153.190000.21	Motor combination, AI, Ø190 x 158 mm, See Figure E	1
16	1.5789.0608	M6 x 8 Flange Bolt	1
17	152.192300.01	Air Guide	1
18	152.190005.00	Rubber, Fore-Cover, A	1
19	152.190005.01	Rubber, Fore-Cover, B	1
20	47.401.25	Engine, 439cc, See Figure B	1
21	152.100007.00	Motor Mount Insulation Board	1
22	1.6177.1.10	M10 Flange Lock Nut	4
23	65329.201370	Frame, Wheel Kit, See Figure H	1
24	2.05.001	Clamp, Ø8 x 6.5	2
25	1.862.06	Lock Washer Ø6, Toothed	1

#	Part Number	Description	Qty.
26	5.1900.155	Grounding Line 150 mm	1
27	1.97.1.06.2	Washer Ø6	2
28	1.93.06	Lock Washer Ø6	1
29	1.62.06	M6 Butterfly Nut	1
30	2.08.068.1	M5 x 13 Flange Bolt	4
31	201370.21	Control Panel Assembly, See Figure G	1

ENGINE PARTS DIAGRAM

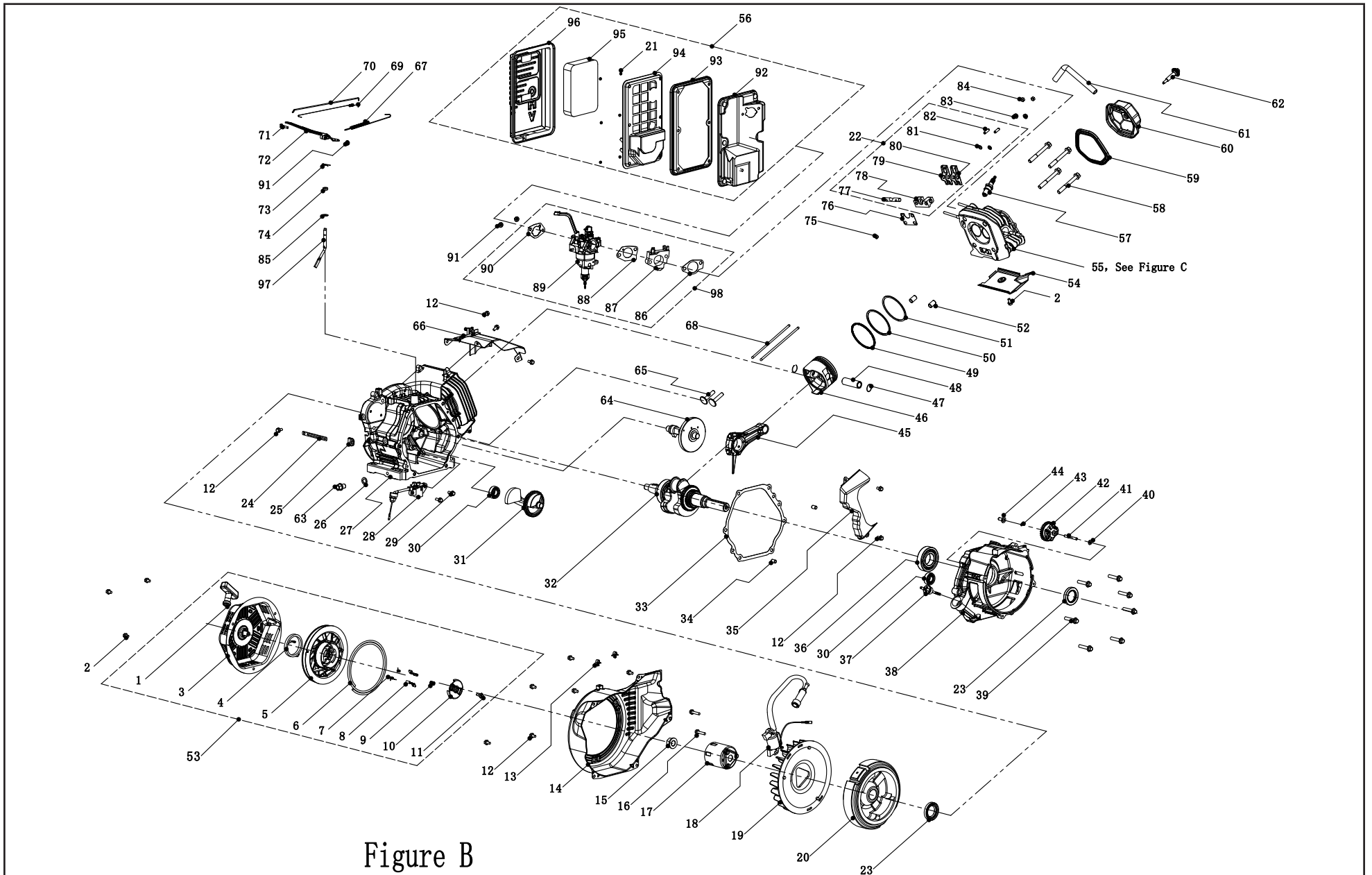


Figure B

ENGINE PARTS LIST

#	Part Number	Description	Qty.
1	21.061300.00	Soft Recoil Handle	1
2	1.5789.0608	M6 x 8 Flange Bolt	4
3	46.061100.00.2	Recoil Starter Cover	1
4	45.060005.00	Recoil Starter Spring	1
5	45.061102.00	Recoil Starter Reel	1
6	2.10.003.1	Rope Ø4 x 1550	1
7	45.060003.00	Ratchet Spring	2
8	45.060002.00	Starter Ratchet	2
9	45.060009.00	Ratchet Guide Spring	1
10	45.060007.00	Ratchet Guide	1
11	45.060008.00	Ratchet Guide Screw	1
12	1.5789.0612	Flange Bolt M6 x 12	11
13	2.05.005	Clamp Ø6	2
14	47.080100.01.25	Fan Cover, Green	1
15	2.02.007	M16 x 1.5 Nut	1
16	1.5789.0629	M6 x 29 Flange Bolt	2
17	45.060001.00	Starter Pulley	1
18	46.123000.01	Ignition Coil	1
19	47.080001.00	Cooling Fan	1
20	46.120100.03	Flywheel	1
21	1.6177.1.05	M5 Flange Nut	6
22	46.040200.00	Rocker Arm Assembly	1
23	2.11.007	Oil Seal Ø35 x Ø52 x 8	2
24	2.05.050	Wire Clip, 100 mm	1
25	152.070031.01	Wire Sheath	1
26	2.03.023	Washer Ø12.5 x Ø20 x 2	1
27	47.030100.05.1	Crankcase	1
28	45.127000.02	Oil Level Sensor	1
29	1.5789.0615	M6 x 15 Flange Bolt	2

#	Part Number	Description	Qty.
30	1.276.6202	Bearing 6202	2
31	47.050006.00	Weight Balancer	1
32	47.050100.01	Crankshaft Assembly	1
33	46.030008.00	Crankcase Cover Gasket	1
34	2.04.001	Dowel Pin Ø9 x 14	2
35	46.080600.00	Right Side Air Guide	1
36	1.276.6207	Bearing 6207	1
37	46.031000.01.25	Oil Dipstick Assembly, Green	1
38	45.030007.00	Crankcase Cover	1
39	1.5789.0840	M8 x 40 Flange Bolt	7
40	2.03.021.1	Washer Ø6.4 x Ø13 x 1	1
41	45.110013.00	Governor Gear Shaft	1
42	45.110100.00	Governor Gear	1
43	21.110011.00	Governor Gear Clip	1
44	45.110012.00	Governor Gear Bushing	1
45	47.050200.00	Connecting Rod Assembly	1
46	47.050005.01	Piston	1
47	2.09.004	Circlip Ø21 x Ø1	2
48	45.050003.00	Piston Pin	1
49	46.050303.02	Oil Ring	1
50	46.050302.02	Second Piston Ring	1
51	46.050301.02	First Piston Ring	1
52	2.04.004	Dowel Pin Ø12 x 20	2
53	46.061000.00	Recoil Assembly	1
54	46.080400.00	Lower Air Guide	1
55	47.010100.01	Cylinder Head Assembly, See Figure C	1
56	46.091000.03.2	Air Cleaner Assembly	1
57	2.15.002	Spark Plug F6RTC	1
58	2.08.014	M10 x 80 Flange Bolt	4

#	Part Number	Description	Qty.
59	46.020002.00	Cylinder Head Cover Gasket	1
60	47.021000.00	Cylinder Head Cover	1
61	45.020001.02	Breather Tube	1
62	47.020100.00	Cylinder Head Cover Bolt	1
63	2.08.039	Drain Bolt M12 x 1.5 x 15	1
64	47.041000.01	Camshaft	1
65	47.040004.00	Valve Lifter	2
66	46.080300.20	Upper Air Guide	1
67	45.110007.00	Governor Spring	1
68	46.040005.00	Push Rod	2
69	45.110005.00	Throttle Return Spring	1
70	45.110006.00	Governor Rod	1
71	2.08.040	M6 x 21 Governor Arm Bolt	1
72	45.110003.00	Governor Arm	1
73	45.110008.00	Shaft Pin	1
74	2.11.006	Oil Seal Ø7 x Ø14 x 5	1
75	45.040008.00	Exhaust Valve Rotator	1
76	46.040004.00	Push Rod Guide Plate	1
77	46.040016.00	Rocker Arm Shaft	1
78	46.040201.00	Rocker Arm Retainer	1
79	46.040009.00	Rocker Arm, Intake Valve	1
80	46.040018.00	Rocker Arm, Exhaust Valve	1
81	1.97.1.06	Washer Ø6	2
82	22.040012.00	Valve Adjustment Screw	2
83	1.6177.1.06	M6 Flange Nut	2
84	21.040021.00	M6 x 0.5, Lock Nut	2
85	2.03.019	Washer Ø8.2 x Ø17 x 0.8	1
86	46.130002.20	Insulator Gasket	1
87	45.130001.00	Carburetor Insulator	1
88	46.130003.20	Carburetor Gasket	1
89	47.131000.21	Carburetor	1

#	Part Number	Description	Qty.
90	46.130004.20	Air Cleaner Gasket	1
91	1.6177.06	M6 Flange Nut	3
92	46.091100.03	Air Cleaner Base	1
93	45.091002.20	Air Cleaner Seal	1
94	45.091001.20	Air Cleaner Separator	1
95	45.091003.20	Air Cleaner Element	1
96	46.091200.04	Air Cleaner Cover	1
97	45.110001.00	Governor Arm Shaft	1
98	47.130000.21	Carburetor Assembly	1

CYLINDER HEAD PARTS DIAGRAM

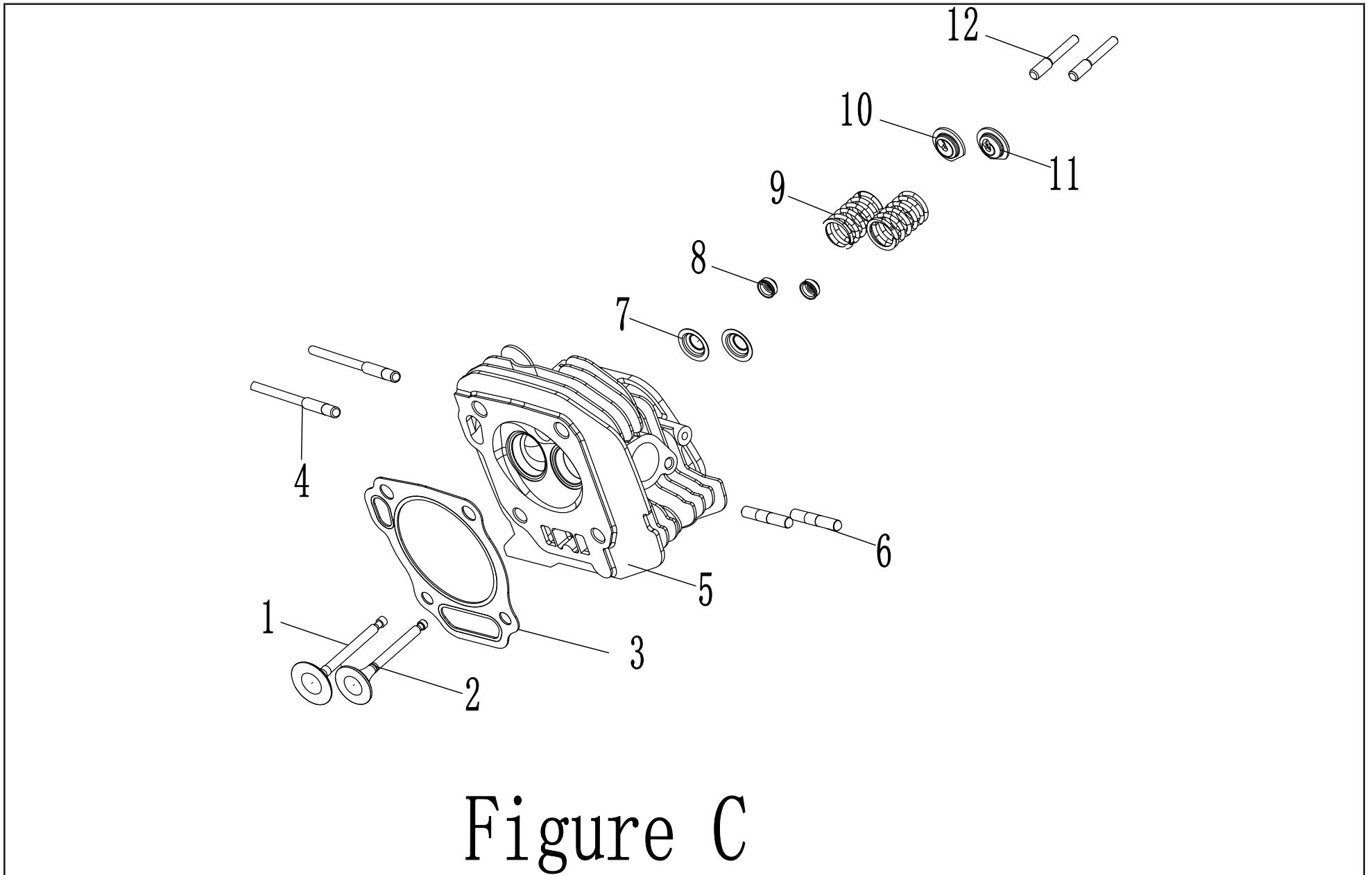


Figure C

CYLINDER HEAD PARTS LIST

#	Part Number	Description	Qty.
1	47.040002.00	Intake Valve	1
2	47.040006.00	Exhaust Valve	1
3	46.030009.02	Cylinder Head Gasket	1
4	2.01.008	Stud Bolt M6 x M8 x 105	2
5	47.010100.01	Cylinder Head	1
6	2.01.010	Stud Bolt M8 x 35	2
7	45.040015.00	Valve Spring Retainer	2
8	45.040017.00	Valve Oil Seal	2
9	45.040003.00	Valve Spring	2
10	45.040001.00	Intake Valve Spring Retainer	1
11	45.040007.00	Exhaust Valve Spring Retainer	1
12	23.040010.00	Rocker Arm Bolt	2

ALTERNATOR PARTS DIAGRAM

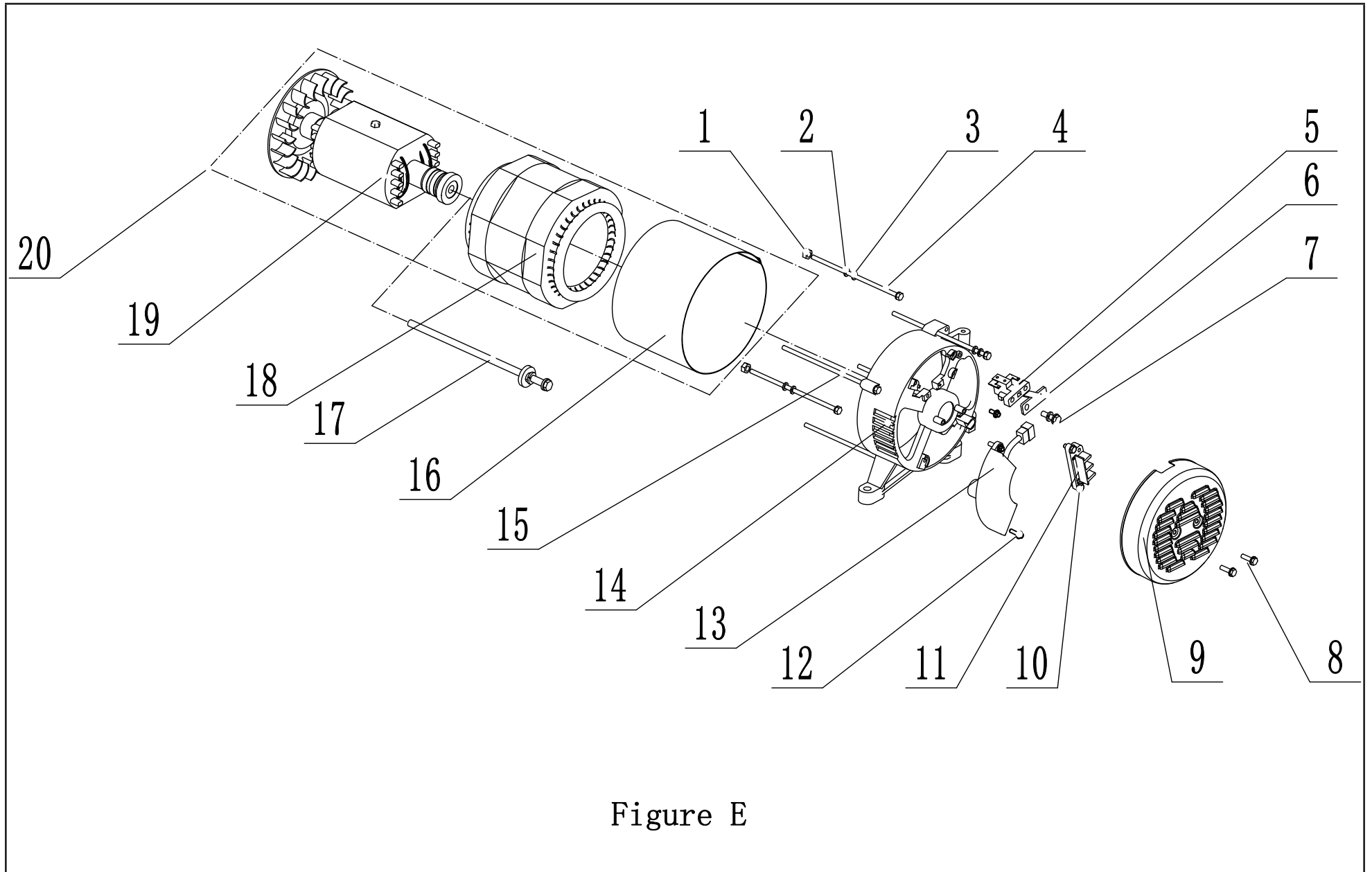


Figure E

ALTERNATOR PARTS LIST

#	Part Number	Description	Qty.
1	1.6175.05	M5 Nut	2
2	1.97.1.05	Washer Ø5	2
3	1.93.05	Lock Washer Ø5	2
4	2.08.071	M5×229 Bolt	2
5	152.190300.00	Carbon Brush Assembly	1
6	122.190004.01	Carbon Brush Pinch	1
7	1.9074.15.0520	M5 x 20 Bolt/Washer Assembly	1
8	1.16674.0512	M5 x 12 Flange Bolt	3
9	152.190003.00.25	Generator End Cover, Green	1
10	1.9074.17.0516	M5 x 16 Screw/Washer Assembly	2
11	122.190400.02	Terminal Block	1
12	1.16674.0516	M5 x 16 Flange Bolt	2
13	153.190200.03	AVR	1
14	152.190002.00	End Housing	1
15	2.08.069	M6 x 194 Flange Bolt/Washer Assembly	4
16	153.191002.00	Stator Cover	1
17	2.08.070	M10 x 280 Flange Bolt/Washer Assembly	1
18	153.191200.21	Stator Assembly, Al, Ø190×158 mm	1
19	153.191100.18	Rotor Assembly, Al, Ø190×158 mm	1
20	153.191000.21	Motor Assembly, Al, Ø190×158 mm	1

FUEL TANK PARTS DIAGRAM

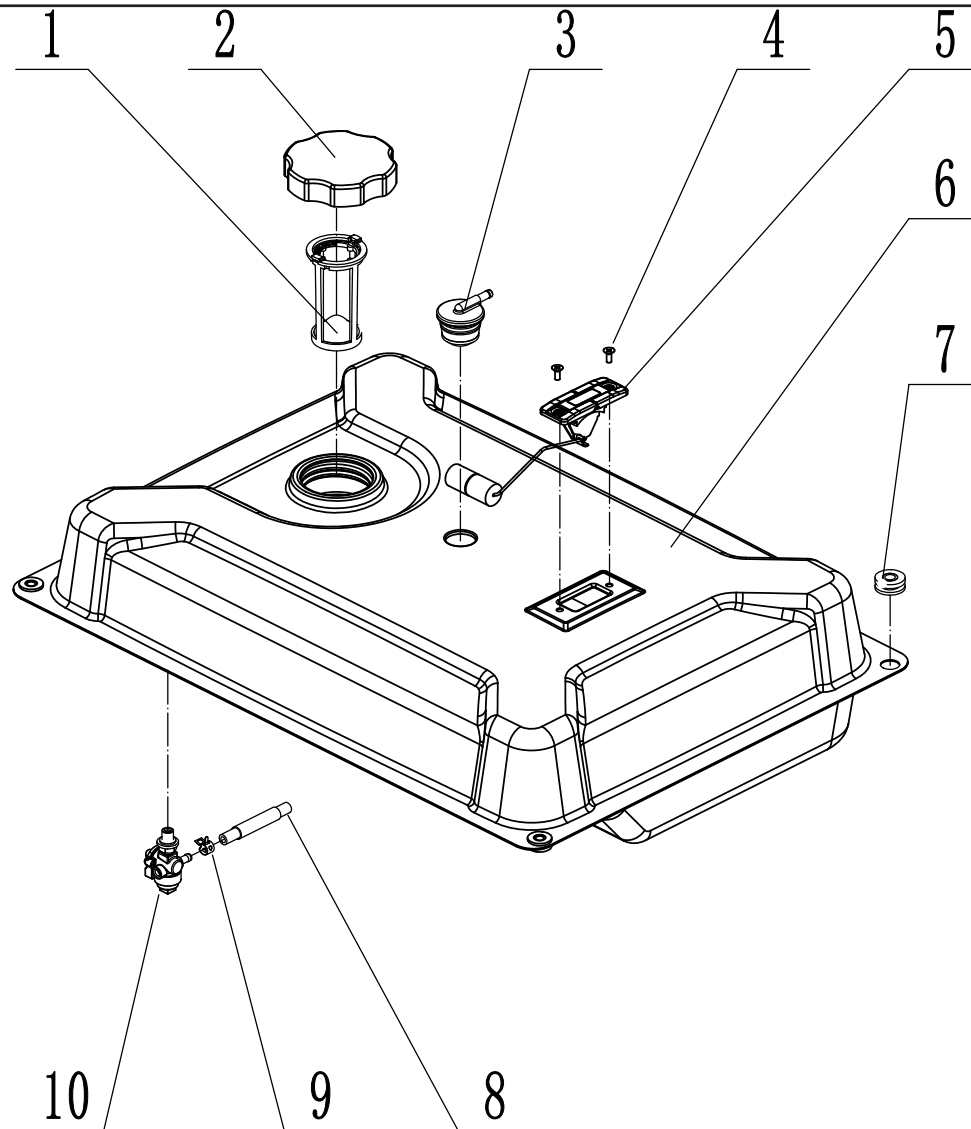


Figure F

FUEL TANK PARTS LIST

#	Part Number	Description	Qty.
1	122.070300.03	Fuel Filter	1
2	122.070100.07	Fuel Tank Cap	1
3	24.070800.00	Reversal Valve	1
4	1.819.0510	M5 x 10 Screw	2
5	152.072000.02	Fuel Gauge Assembly	1
6	152.071000.54.25	Fuel Tank, 23.1L, Green	1
7	122.070015.01	Mount Vibration, Fuel Tank	4
8	152.070011.07	Fuel Pipe, 195 mm	1
9	2.06.007	Clamp Ø8.2 x b8	1
10	122.070400.05	Fuel Valve	1

CONTROL PANEL PARTS DIAGRAM

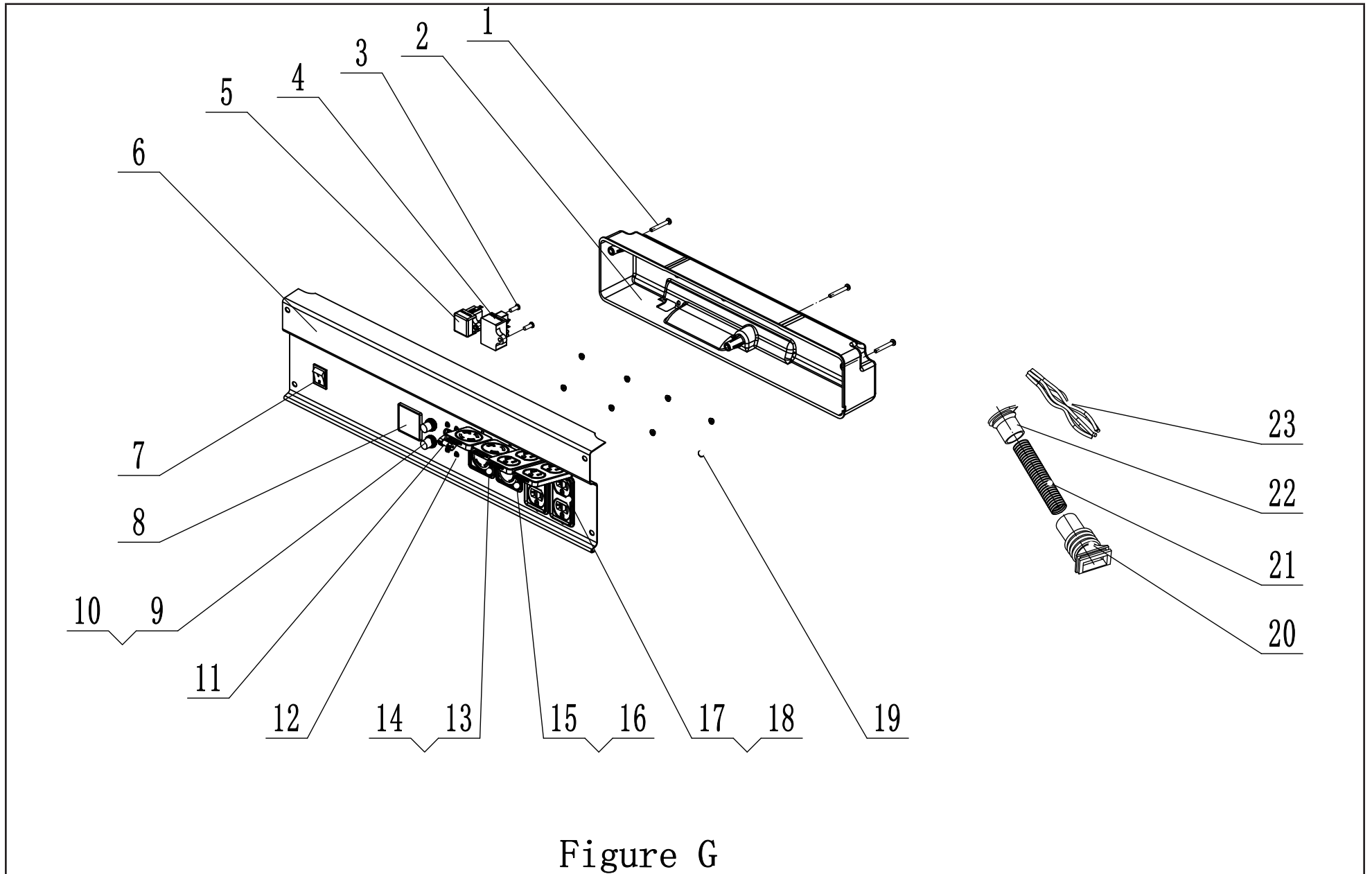


Figure G

CONTROL PANEL PARTS LIST

#	Part Number	Description	Qty.
1	1.9074.1.0538.2	M5 x 38 Bolt/Washer Assembly	3
2	152.210002.30	Control Box, CSA	1
3	1.818.0514.2	M5x14 Screw	2
4	5.1810.000	Over Voltage Protector, CSA	1
5	5.1800.000	Bridge Rectifier	1
6	152.24.2.2	Control Panel	1
7	5.1000.004.3	Red Ignition Switch	1
8	5.1430.008.99	Intelligauge, VFT-2	1
9	5.1870.014	Circuit Breaker Cover, Push Button	2
10	5.1210.920	20Amp Circuit Breaker, Push Button, CSA	2
11	5.1240.930	30Amp Circuit Breaker, Double Pole, CSA	1
12	1.9074.4.0306.1	M3 x 6 Screw/Washer Assembly	4
13	5.1120.026	Receptacle Cover, Receptacle L14-30R	1
14	5.1870.020	Receptacle Cover, Receptacle L14-30R	1
15	5.1870.023	Receptacle Cover, L5-30R	1
16	5.1120.023	Receptacle L5-30R,CSA	1
17	5.1120.027	Receptacle 5-20R, Duplex	2
18	5.1870.025	Receptacle Cover, Receptacle 5-20R, Duplex	2
19	1.6177.1.04.1	M4 Flange Lock Nut	8
20	152.210003.03	End Cover Plug, CSA	1
21	5.1320.024	Wire Sheath, CSA	1
22	152.210003.01	Control Box, Wire Jacket, CSA	1
23	201370.21.10	Wire Assembly	1

FRAME ASSEMBLY PARTS DIAGRAM

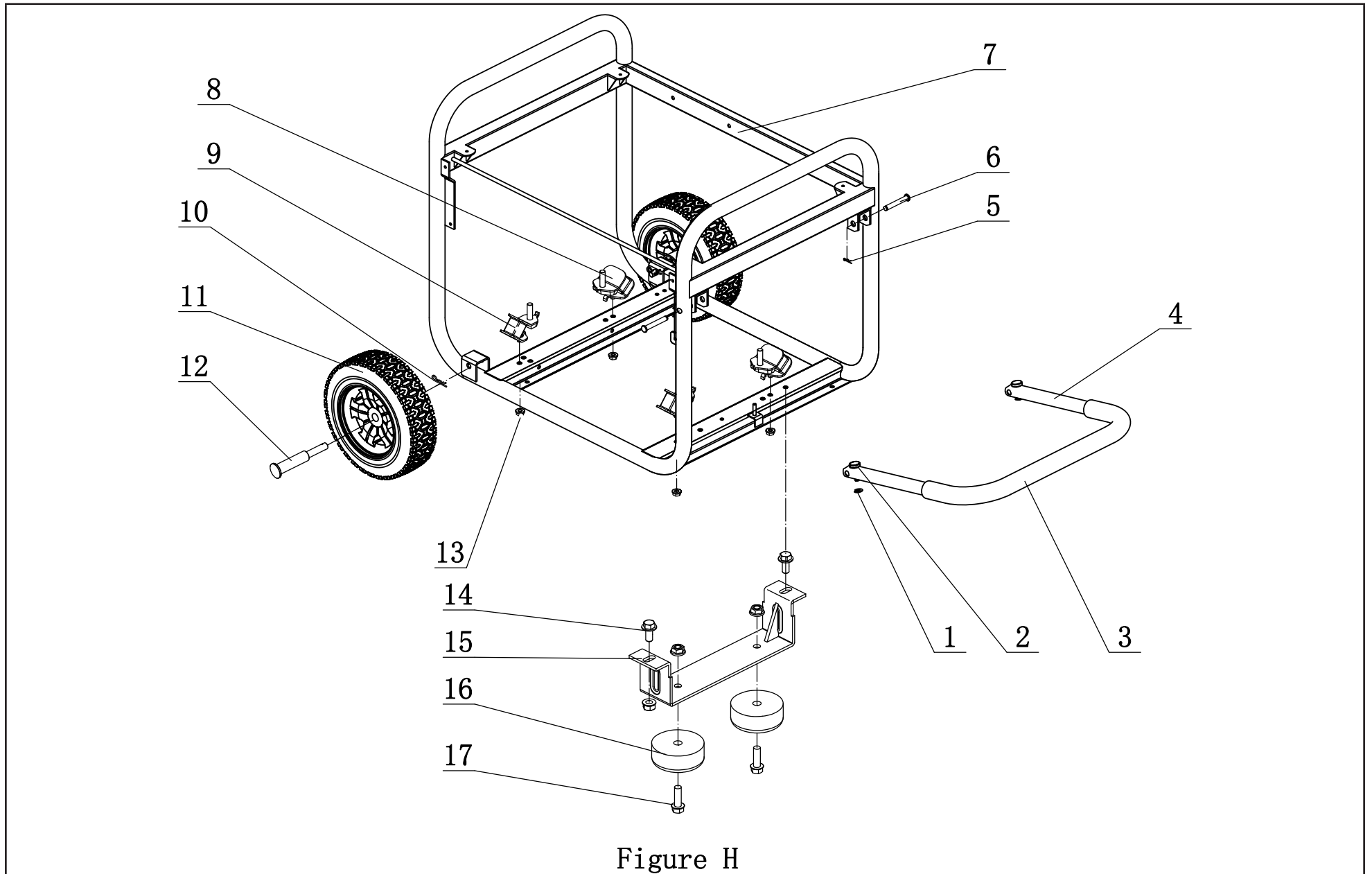


Figure H

FRAME ASSEMBLY PARTS LIST

#	Part Number	Description	Qty.
1	1.894.1.08	Circlip Ø8	2
2	152.200703.02	Short Pin, Handle	2
3	152.200702.02	Handle Cover	1
4	152.200701.02.2	Handle, U Shape	1
5	11.110008.00	"R" Pin	2
6	152.200703.04	Short Pin, Handle	2
7	65329.0.10.2	Frame, 689 x 536 x 580mm	1
8	152.201200.04	Motor Mount 2	2
9	152.201200.03	Motor Mount 1	2
10	2.16.001.1	R-Pin Ø2 x 33	2
11	152.201701.09.2	9.5 in. Wheel, PU, Black	2
12	122.201501.25.1	Pin Roll, Wheel, Ø16 x Ø10 x 107	2
13	1.6177.1.08	M8 Flange Lock Nut	8
14	1.5789.0816	M8 x 16 Flange Bolt	2
15	152.200002.01.2	Support Leg 84 mm	1
16	152.201400.00	Rubber Support	2
17	1.5789.0825	M8 x 25 Flange Bolt	2

WIRING DIAGRAM

