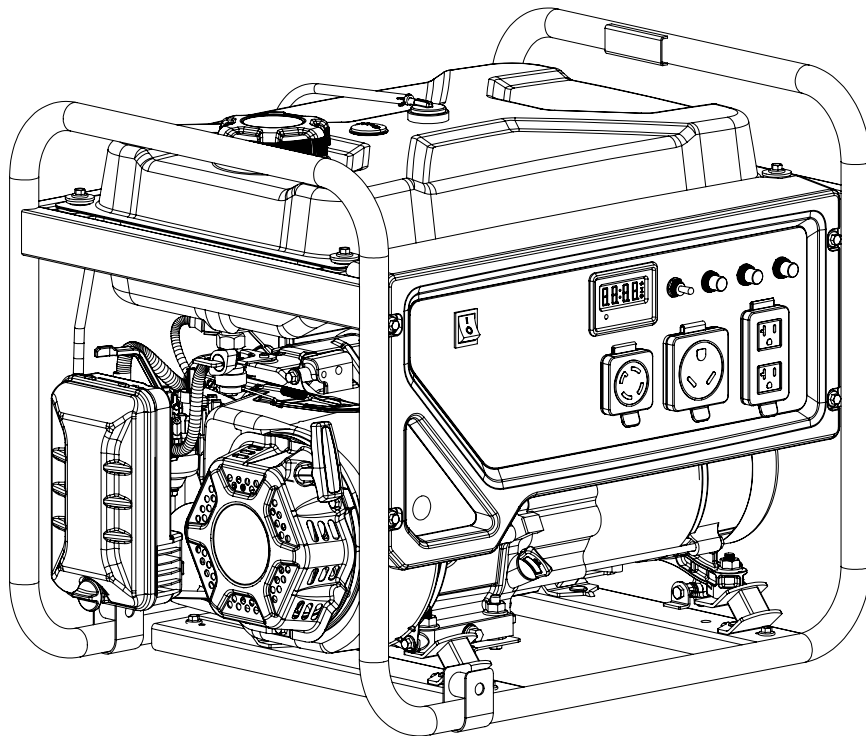




Champion Power Equipment, Inc.

**MODEL #201282**



## **PARTS INFORMATION**

**4000W PORTABLE GENERATOR**

**SERIAL NUMBER RANGE: ALL**



To order replacement parts please visit:  
**[shop.championpowerequipment.com](http://shop.championpowerequipment.com)**  
or call **1-877-338-0999**.

## **TABLE OF CONTENTS**

<b>Generator Parts Diagram</b> .....	<b>3</b>
<b>Generator Parts List</b> .....	<b>4</b>
<b>Engine Parts Diagram</b> .....	<b>5</b>
<b>Engine Parts List</b> .....	<b>6</b>
<b>Cylinder Head Parts Diagram</b> .....	<b>8</b>
<b>Cylinder Head Parts List</b> .....	<b>9</b>
<b>Carburetor Parts Diagram</b> .....	<b>10</b>
<b>Carburetor Parts List</b> .....	<b>11</b>
<b>Alternator Parts Diagram</b> .....	<b>12</b>
<b>Alternator Parts List</b> .....	<b>13</b>
<b>Fuel Tank Parts Diagram</b> .....	<b>14</b>
<b>Fuel Tank Parts List</b> .....	<b>15</b>
<b>Control Panel Parts Diagram</b> .....	<b>16</b>
<b>Control Panel Parts List</b> .....	<b>17</b>
<b>Frame Assembly Parts Diagram</b> .....	<b>18</b>
<b>Frame Assembly Parts List</b> .....	<b>19</b>
<b>Wiring Diagram</b> .....	<b>20</b>

# GENERATOR PARTS DIAGRAM

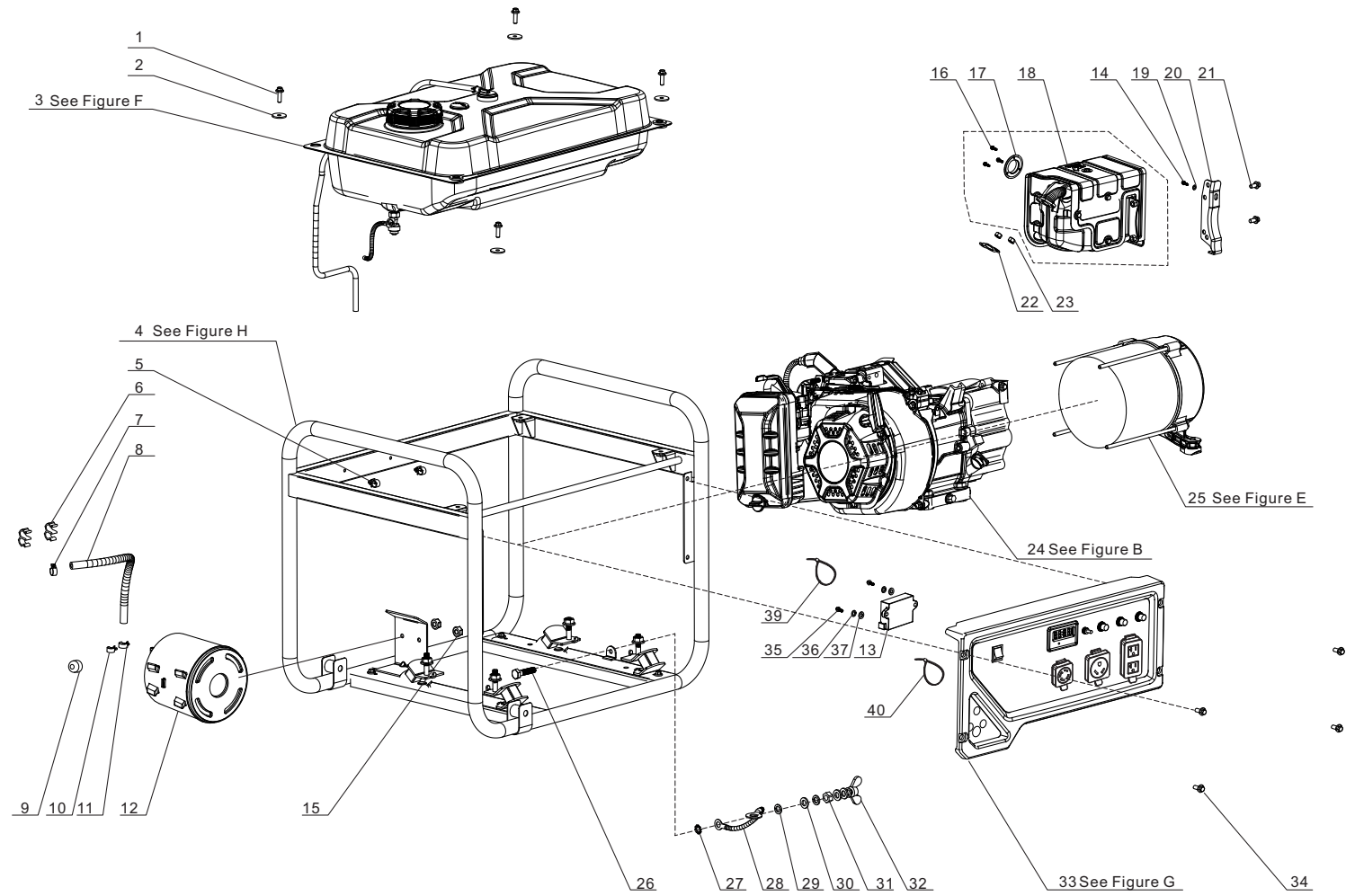


Figure A

**GENERATOR PARTS LIST**

#	Part Number	Description	Qty.
1	90007-000014	M6x20 Hexagon Flange Bolt	4
2	90408-000008	Flat Washer, Ø6	4
3	96003-Y16620-0022	Fuel Tank Assembly - See Figure F	1
4	96103-Y51100-0014	Frame Assembly - See Figure H	1
5	90684-000005	Clip, Ø8	2
6	90685-000006	Clamp, Ø9.5 x Ø8	2
7	90685-000010	Clamp, Ø10.5 x 8 x 0.8	1
8	16805-000008	Connection Tube, Air Cleaner, Ø6 x Ø10 x 190	1
9	30351-000001	Carbon Canister Cover	1
10	90685-000012	Clamp, Ø8 x 7 x 0.6	1
11	90685-000007	Clamp, Ø9.5 x 8 x 0.8	1
12	16801-000008	Carbon Canister, 400 cc	1
13	35720-000001	Co Alarm	1
14	90001-000019	M6 x 12 Hexagon Flange Bolt	1
15	90305-000006	M6 Hexagon Flange Nut	2
16	90103-000015	M4 x 6 Screw	3
17	18250-000007	Spark Arrestor	1
18	18100-000019	Muffler Assembly	1
19	90406-000003	Flat Washer, Ø6.4 x Ø18 x 1.6	1
20	18030-000008	Muffler Bracket	1
21	90001-000041	M8 x 16 Hexagon Flange Bolt	2
22	18001-000011	Exhaust Outlet Gasket	1
23	90303-000006	M8 Hexagon Nut	2
24	96100-225V0000-02	Engine - See Figure B	1
25	96114-Y31300-0008	Alternator Assembly - See Figure E	1
26	90001-000027	M6 x 25 Hexagon Flange Bolt	1

#	Part Number	Description	Qty.
27	90415-000001	Toothed Lock Washer	1
28	30009-000001	Grounding Wire	1
29	90403-000003	Spring Washer	2
30	90408-000006	Flat Washer	3
31	90303-000003	M6 Hexagon Nut	1
32	90312-000001	M6 Wing Nut	1
33	35610-000158	Control Panel Assembly - See Figure G	1
34	90007-000012	M6 x 16 Hexagon Flange Bolt	4
35	90124-000003	Self Tapping Screw, PT5 x 16	2
36	90403-000002	Spring Washer	2
37	90408-000003	Flat Washer	2
38	90727-000006	Band, 1.97 x 149	1
39	90727-000003	Band, 3.5 x 190	1

# ENGINE PARTS DIAGRAM

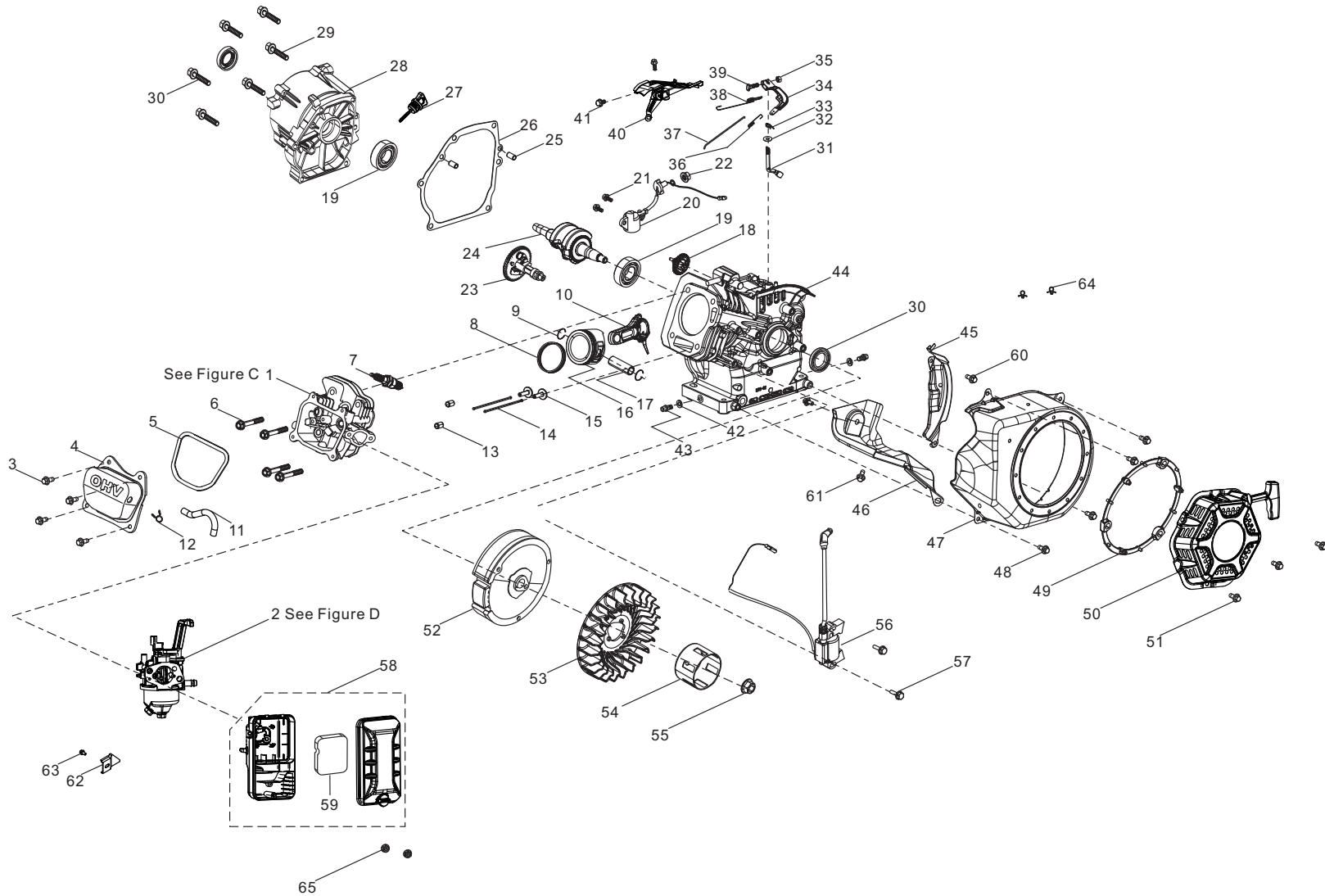


Figure B

**ENGINE PARTS LIST**

#	Part Number	Description	Qty.
1	96101-Z120410-0002	Cylinder Head Subassembly - See Figure C	1
2	96105-Z16100-0010	Carburetor Subassembly - See Figure D	1
3	90001-000018	M6 x 12 Hexagon Flange Bolt	4
4	12410-000012	Cylinder Head Cover Subassembly	1
5	12004-000017	Cylinder Head Cover Gasket	1
6	12003-000001	M8 x 60 Cylinder Head Bolt	4
7	30010-000001	Spark Plug, F6RTC	1
8	13200-000007	Piston Ring Assembly	1
9	13122-000001	Piston Pin Clip	2
10	13010-000015	Connecting Rod	1
11	17004-000022	Breather Tube, Ø8 x Ø12	1
12	90740-000006	Clamp, Ø11 x 1.4	1
13	90502-000007	Pin, Ø11 x 14	2
14	14071-000005	Valve Lifter	2
15	14081-000002	Valve Tappet	2
16	13111-000010	Piston	1
17	13121-000001	Piston Pin, Ø18 x Ø54	1
18	16400-000003	Governor Gear Assembly	1
19	90547-000006	Bearing, 6205	2
20	37060-000003	Engine oil Sensor, W/O Nut	1
21	90001-000020	M6 x 14 Hexagon Flange Bolt	2
22	90305-000014	M10 Hexagon Flange Nut	1
23	14200-000012	Camshaft Assembly	1
24	13300-000033	Crankshaft Assembly	1
25	90502-000005	Pin, Ø9 x 12	2
26	11001-000008	Crankcase Gasket	1
27	15010-000017	Oil Dipstick Subassembly	1
28	11411-000018	Crankcase Cover	1
29	90001-000047	M8 x 32 Hexagon Flange Bolt	6
30	90682-000010	Oil Seal, Ø25 x Ø41.25 x 6	2

#	Part Number	Description	Qty.
31	16061-000001	Governor Arm	1
32	90408-000020	Washer, Ø6.2 x Ø15 x 0.6	1
33	90501-000005	Pin	1
34	16070-000001	Governor Support Subassembly	1
35	90305-000005	M6 Hexagon Flange Nut	1
36	16012-000002	Throttle Valve Returning Spring	1
37	16062-000002	Governor Rod	1
38	16063-000001	Governor Spring	1
39	16072-000001	M6 x 21 Governor Support Bolt	1
40	16520-000018	Throttle Control Assembly	1
41	90001-000016	M6 x 10 Hexagon Flange Bolt	2
42	90408-000021	Washer, Ø10 x Ø15.8 x 1.5	2
43	11007-000001	Drain Plug Bolt, M10 x1.25 x15	2
44	11310-000015	Crankcase Subassembly	1
45	19340-000003	Lower Shield	1
46	19304-000009	Cylinder Body Shroud	1
47	28110-000039	Shroud	1
48	90001-000019	M6 x 12 Hexagon Flange Bolt	4
49	28261-000001	Retainer Ring, Recoil Starter	1
50	28200-000007	Recoil Starter Assembly	1
51	90251-000002	M6 x 18 Bolts & Washer Assembly	3
52	13510-000014	Flywheel Subassembly	1
53	19352-000012	Engine Cooling Fan	1
54	28002-000010	Starter Pulley	1
55	13501-000001	Flywheel Nut, M14 x 1.5	1
56	30400-000015	Ignition Coil	1
57	90001-000026	M6 x 25 Hexagon Flange Bolt	2
58	17100-000020	Air Cleaner	1
59	17151-000008	Air Cleaner Element	1
60	90001-000024	M6 x 20 Hexagon Flange Bolt	1

#	Part Number	Description	Qty.
61	90001-000016	M6 x 10 Hexagon Flange Bolt	2
62	17003-000003	Air Cleaner Support	1
63	90001-000019	M6 x 12Hexagon Flange Bolt	1
64	90684-000005	Clip, Ø8	2
65	90305-000008	M6 Hexagon Flange Nut	2

# CYLINDER HEAD PARTS DIAGRAM

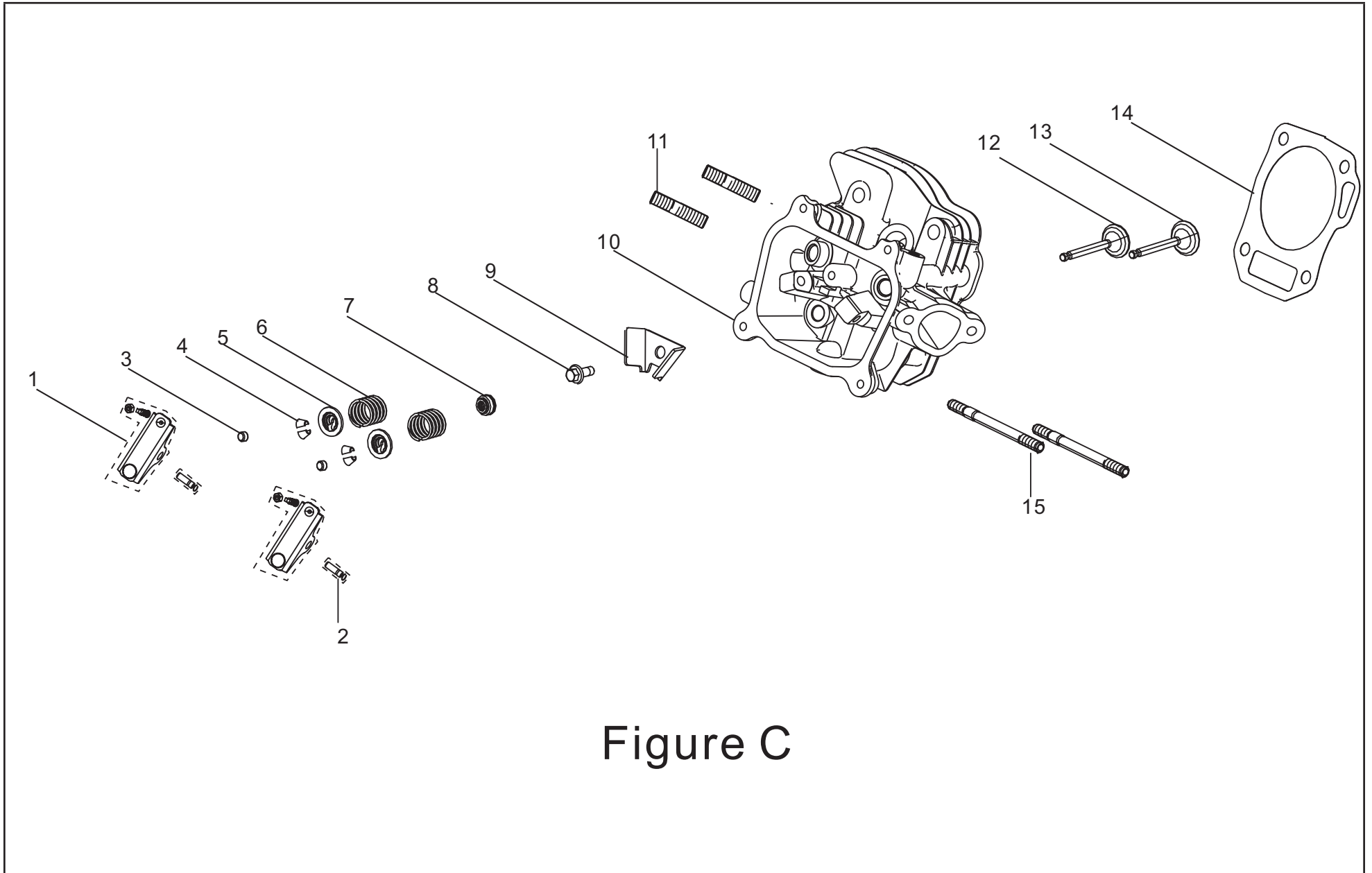


Figure C



**CYLINDER HEAD PARTS LIST**

#	Part Number	Description	Qty.
1	14310-000008	Valve Rocker Assembly	2
2	14318-000007	Rocker Shaft Assembly	2
3	12104-000003	Valve Rotator	2
4	12109-000004	Valve Lock Clamp	4
5	12112-000008	Valve Spring Retainer	2
6	12103-000010	Valve Spring	2
7	12101-000006	Seal Guide	1
8	90001-000016	M6 x 10 Hexagon Flange Bolt	1
9	12419-000002	Pin Stopper Plate, Cylinder Head Cover	1
10	12140-000012	Cylinder Head Subassembly	1
11	90203-000001	M8 x 34 Stud	2
12	12121-000009	Exhaust Valve	1
13	12111-000008	Inlet Valve	1
14	12131-000009	Cylinder Head Gasket	1
15	90204-000001	M6 x 96 Stud	2

# CARBURETOR PARTS DIAGRAM

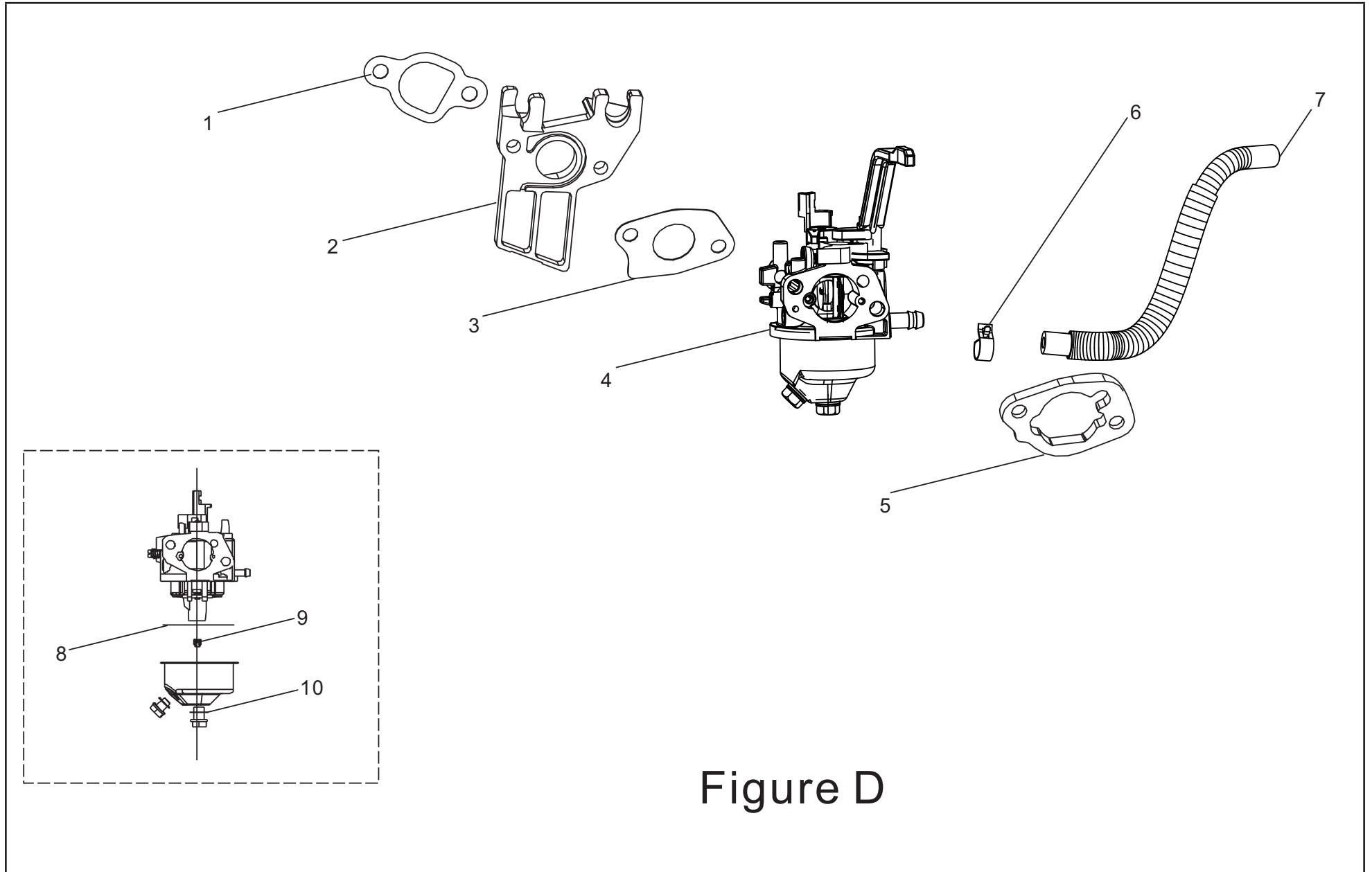


Figure D

## CARBURETOR PARTS LIST

#	Part Number	Description	Qty.
1	16002-000006	Carburetor Insulator Gasket	1
2	16003-000016	Carburetor Insulator Plate	1
3	16001-000001	Carburetor Gasket	1
4	16100-000037	Carburetor Assembly	1
5	17001-000002	Air Cleaner Gasket	1
6	90685-000012	Clamp, Ø8 x 7 x 0.6	1
7	90686-000034	Fuel Tube, Ø4.5 x Ø8.5 x 355	1
8	16112-000001	Seal Ring, Float	1
9	16161-000031	Main Jet (79#), Standard	1
	16161-000027	Main Jet (77#), Altitude 3000-6000 Feet	/
	16161-000025	Main Jet (75#), Altitude 6000-8000 Feet	/
10	90681-000004	Seal Ring	1

# ALTERNATOR PARTS DIAGRAM

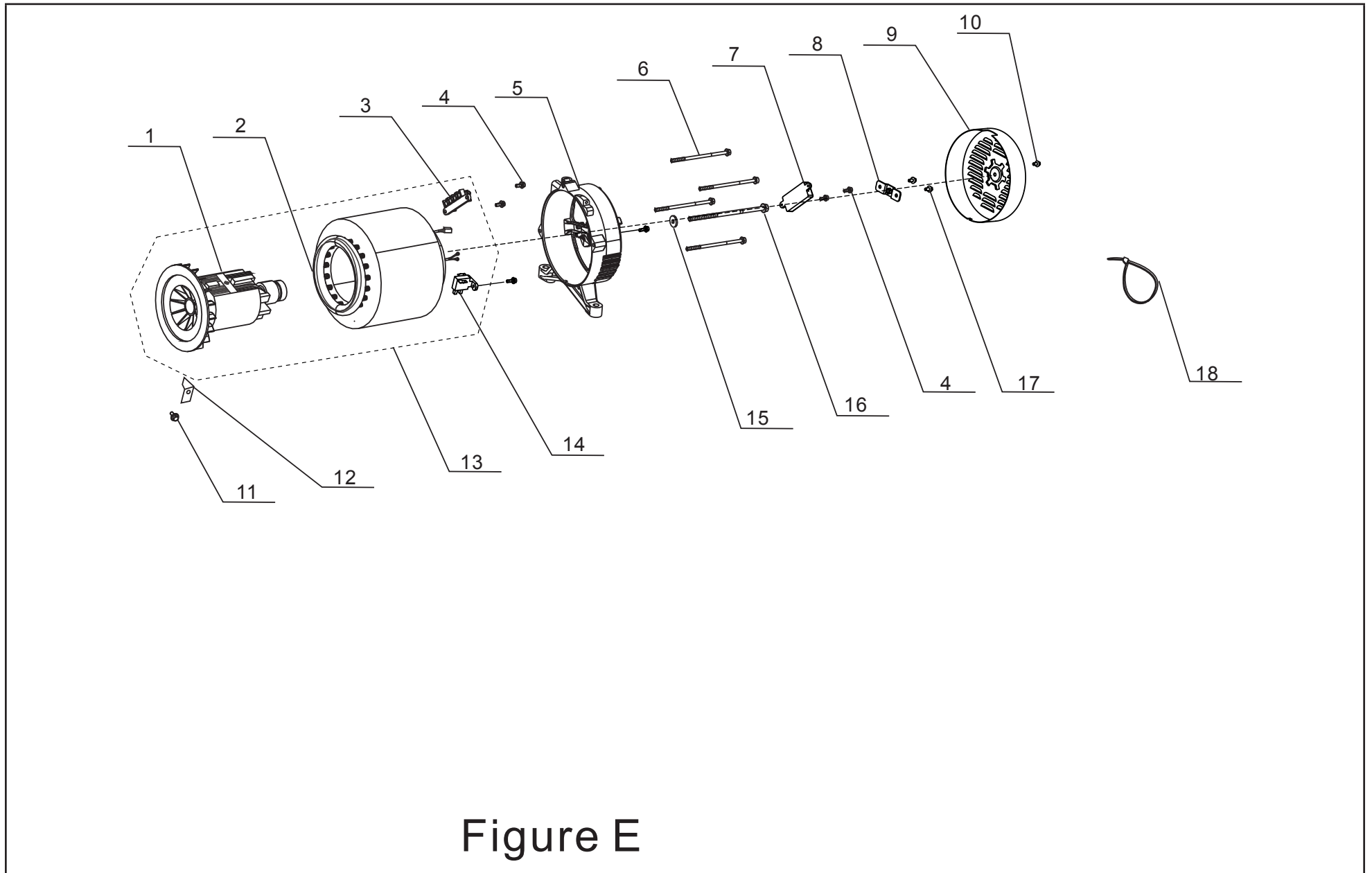


Figure E

**ALTERNATOR PARTS LIST**

#	Part Number	Description	Qty.
1	31330-000001	Rotor, AL, Ø160 x 130	1
2	31310-000018	Stator, AL, Ø160 x 130	1
3	31303-000001	Terminal Block	1
4	90001-000007	M5 x 16 Hexagon Flange Bolt	6
5	30021-000004	Motor Bracket	1
6	30048-000005	M6 x 174 Stator Bolt	4
7	30060-000009	Rectifier	1
8	51124-000001	Mounting Bracket	1
9	30022-000007	End Housing Cover, Yellow	1
10	90007-000001	M5 x 8 Hexagon Flange Bolt	1
11	90001-000019	M6 x 12 Hexagon Flange Bolt	1
12	30023-000001	Motor, Right Cover Stopper	1
13	31300-000028	Alternator Assembly, AL, D160 x 130	1
14	31320-000001	Carbon Brush Subassembly	1
15	90408-000025	Flat Washer, Ø8.4 x 22 x 1.6	1
16	30049-000005	M8 x 230, Rotor Bolt	1
17	90005-000003	M5 x 12 Hexagon Flange Bolt	2
18	90727-000002	Band, 3.5 x 190	1

# FUEL TANK PARTS DIAGRAM

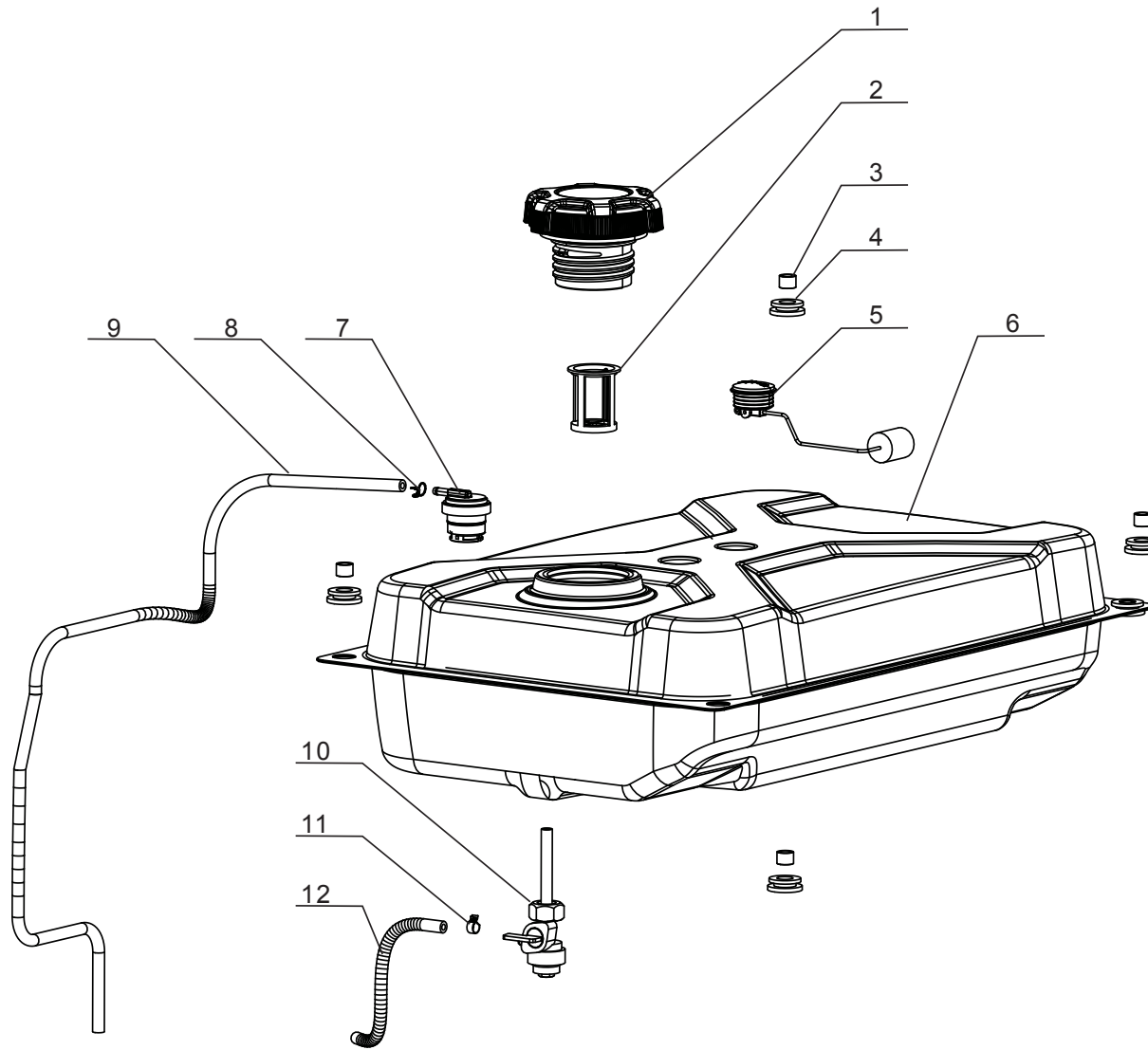


Figure F

**FUEL TANK PARTS LIST**

#	Part Number	Description	Qty.
1	16730-000010	Fuel Tank Cap	1
2	16652-000009	Fuel Filter	1
3	90683-000002	Bushing	4
4	16601-000002	Fuel Tank Vibration Mount	4
5	37200-000012	Fuel Gauge	1
6	16620-000012	Fuel Tank, PMS 109C	1
7	15150-000003	One Way Valve	1
8	90740-000005	Clamp, Ø9	1
9	16804-000021	Tube, Tank Vent, Ø4.5 x Ø8.5 x 790	1
10	16750-000003	Fuel Valve Assembly	1
11	90685-000012	Clamp, Ø8 x 7 x 0.6	1
12	30431-000001	Rubber Sleeve, Ø9 x Ø11 x 60, Fuel Tube	1

# CONTROL PANEL PARTS DIAGRAM

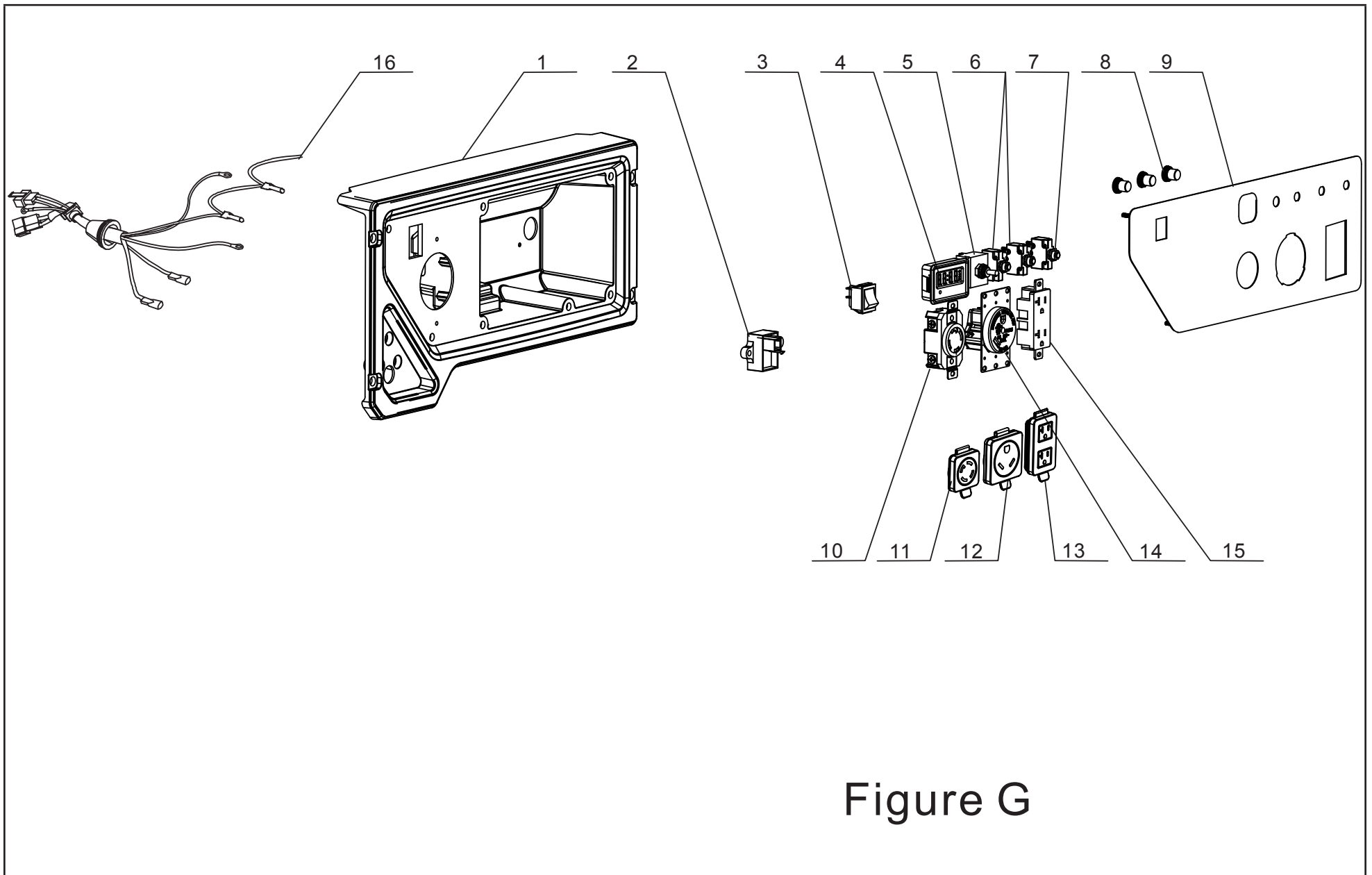


Figure G



## CONTROL PANEL PARTS LIST

#	Part Number	Description	Qty.
1	35680-000027	Control Panel Housing	1
2	30008-000002	Control Module, OV0201	1
3	35160-000002	Engine Switch	1
4	35632-000006	Intelligauge	1
5	35623-000001	Voltage Select Switch	1
6	31234-000008	15Amp Circuit Breaker, Push Button, 125/250V	2
7	31234-000013	20Amp Circuit Breaker, Push Button, 125/250V	1
8	35654-000005	Push Button Cover	3
9	35650-000044	Control Panel	1
10	35614-000004	L14-30R Receptacle, 30A, 125V/250V	1
11	35654-000010	Receptacle Cover, L14-30R	1
12	35654-000011	Receptacle Cover, TT-30R	1
13	35654-000013	Receptacle Cover, 5-20R	1
14	35614-000007	TT-30R Receptacle, 30A, 125V	1
15	35614-000017	5-20R Receptacle, 20A, 125V	1
16	35660-000051	Wire Harness, Control Panel	1

# FRAME ASSEMBLY PARTS DIAGRAM

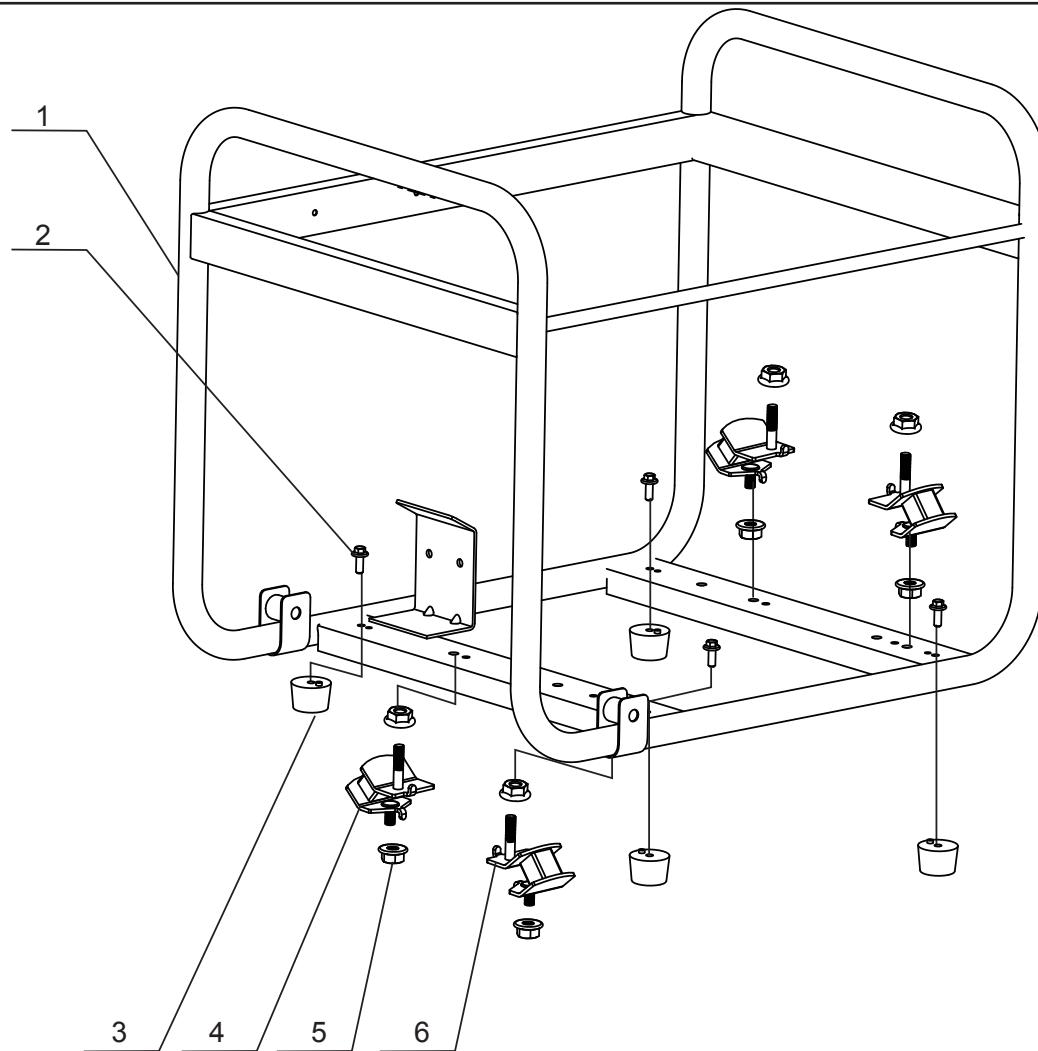


Figure H

**FRAME ASSEMBLY PARTS LIST**

#	Part Number	Description	Qty.
1	51100-000056	Frame Assembly, 565 x 440 x 480	1
2	90001-000019	M6 x 12 Hexagon Flange Bolt	4
3	51014-000004	Vibration Seat, Frame	4
4	51005-000002	Vibration Mount 1, Frame	2
5	90305-000011	M8 Hexagon Flange Nut	8
6	51011-000001	Vibration Mount 2, Frame	2

# WIRING DIAGRAM

