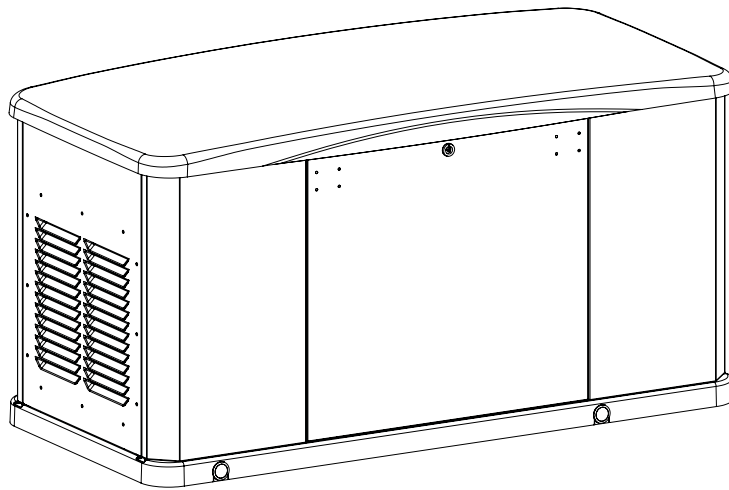


Champion Power Equipment, Inc.

MODEL #201202



PARTS INFORMATION

22-KW HOME STANDBY GENERATOR WITH FLEX CONTROLLER™

SERIAL NUMBER RANGE: ALL

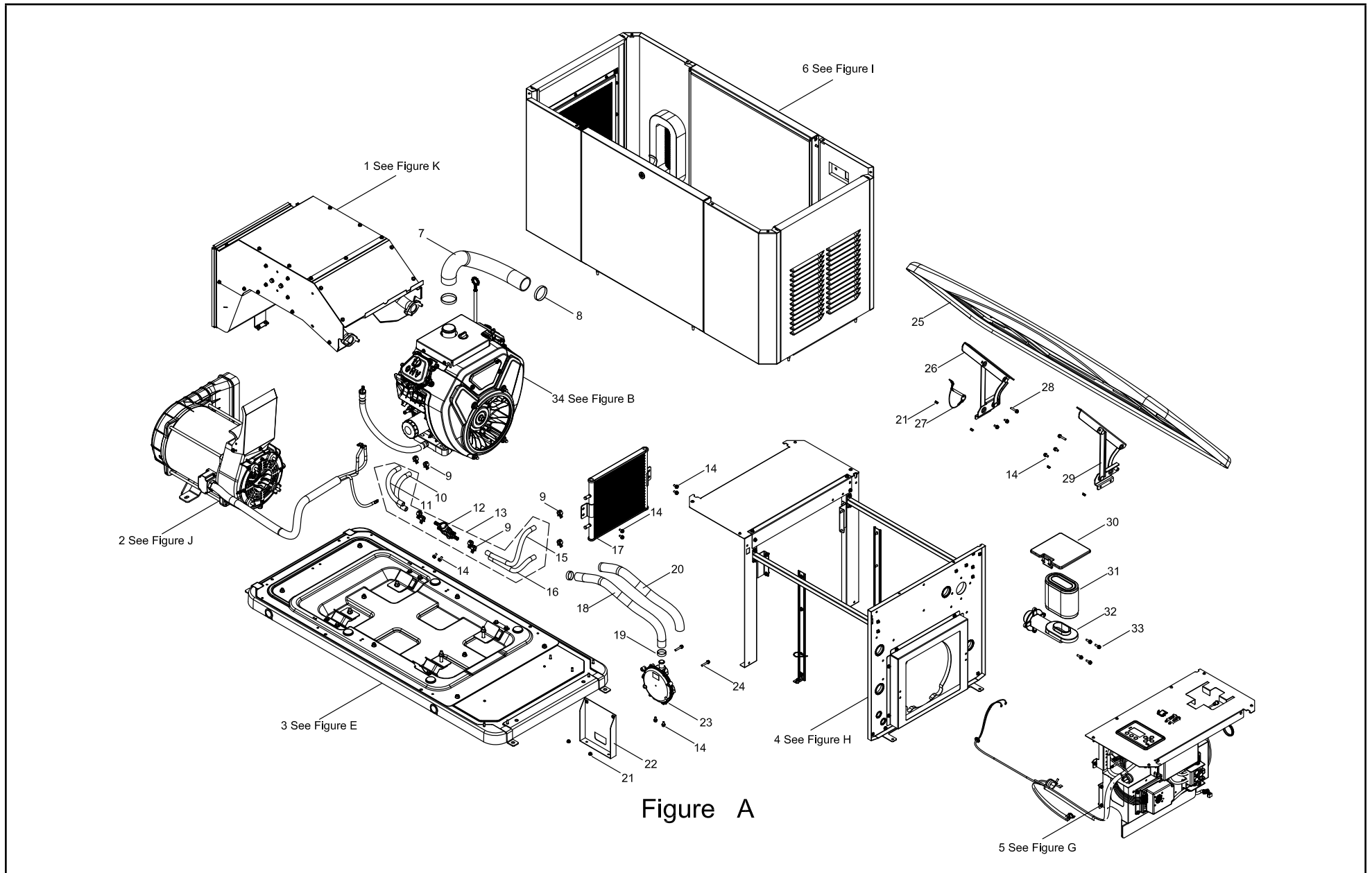


To order replacement parts please visit:
shop.championpowerequipment.com
or call **1-877-338-0999**.

TABLE OF CONTENTS

Generator Parts Diagram	3	Frame Assembly Parts Diagram	18
Generator Parts List	4	Frame Assembly Parts List	19
Engine Parts Diagram	5	Shell Parts Diagram	20
Engine Parts List	6	Shell Parts List	21
Cylinder Head Left Parts Diagram	8	Alternator Parts Diagram	22
Cylinder Head Left Parts List	9	Alternator Parts List	23
Cylinder Head Right Parts Diagram	10	Muffler Parts Diagram	24
Cylinder Head Right Parts List	11	Muffler Parts List	25
Mixer Parts Diagram	12	Wiring Diagram	26
Mixer Parts List	13		
Base Plate Assembly Part Diagram	14		
Base Plate Assembly Parts List	15		
Control Panel Parts Diagram	16		
Control Panel Parts List	17		

GENERATOR PARTS DIAGRAM



GENERATOR PARTS LIST

#	Part Number	Description	Qty.
1	96117-Y18100-0003	Muffler Assembly - See Figure K	1
2	96114-Y31300-0007	Motor Assembly - See Figure J	1
3	96103-Y51100-0012	Base Plate Assembly - See Figure E	1
4	96103-Y51100-0013	Frame Assembly, See Figure H	1
5	96119-Y35610-0004	Control Panel, See Figure G	1
6	96132-Y80094-0001	Appearance Component - See Figure I	1
7	12510-000002	Intake Tube	1
8	90685-000020	Clamp 1	2
9	90685-000019	Clamp, Ø18 x 0.8 x 10	8
10	19111-000005	Cooling Tube, Ø9.5 x Ø17 x 230	1
11	19111-000006	Cooling Tube, Ø9.5 x Ø17 x 195	1
12	77004-000001	By-Pass Valve	1
13	77005-000001	By-Pass Valve Assembly	1
14	90022-000002	M6 x 12 Serrated Hexagon Flange Bolt	12
15	19111-000003	Cooling Tube, Ø9.5 x Ø17 x 360	1
16	19111-000004	Cooling Tube, Ø9.5 x Ø17 x 250	1
17	19100-000001	Radiator Component	1
18	163.130021.01	Hose	1
19	90685-000021	Clamp	2
20	90697-000004	Hose Protector	1
21	90327-000002	M6 Hexagon Flange Lock Nut	6
22	77002-000001	Mounting Support Plate, Gas Regulator	1
23	77100-000013	Gas Regulator	1
24	90022-000003	M6 x 25 Serrated Hexagon Flange Bolt	2
25	77001-000001	Unit Top Cover	1
26	51041-000002	Hinge, Frame Shield 2	1
27	97003-000001	Pin Shaft & String	1
28	90022-000004	M6 x 30 Serrated Hexagon Flange Bolt	2
29	51041-000001	Hinge, Frame Shield 1	1
30	17104-000002	Air Cleaner Housing Cover	1

#	Part Number	Description	Qty.
31	17150-000005	Air Cleaner Element Assembly	1
32	17130-000001	Air Cleaner Seat	1
33	90007-000011	M6 x 16 Hexagon Flange Bolt	4
34	96100-999DM000-01	Engine, See Figure B	1

ENGINE PARTS DIAGRAM

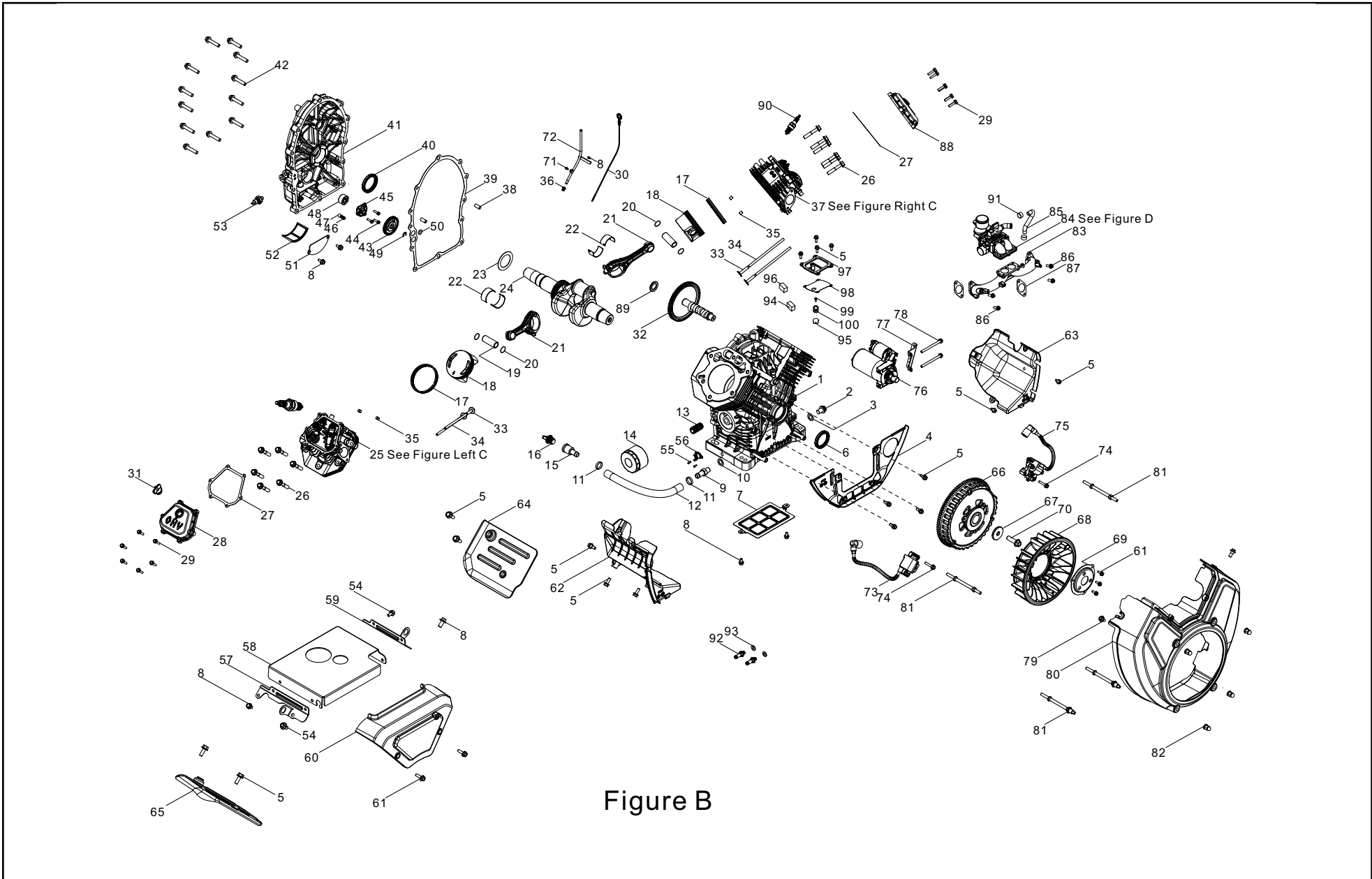


Figure B

ENGINE PARTS LIST

#	Part Number	Description	Qty.
1	11310-000031	Crankcase Subassembly	1
2	11007-000003	M12 x 18 Drain Plug Bolt	1
3	90412-000003	Washer, Ø21 x Ø12 x 2	1
4	28118-000004	Crank Case Draught Block	1
5	90007-000011	M6 x 16 Hexagon Flange Bolt	17
6	90682-000018	Oil Seal, Ø43 x Ø55 x 7	1
7	22082-000001	Air Plate Base	1
8	90007-000007	M6 x 12 Hexagon Flange Bolt	7
9	90689-000004	Fuel Tube Connector, M14 x 2	1
10	90412-000007	Washer, Ø21x Ø12x 2	1
11	90685-000018	Clamp, Ø21 x 1.3 x 12	2
12	11011-000010	Oil Drain Hose Assembly	1
13	15208-000001	Oil Filter Mounting Pipe	1
14	717.153000.02	Oil Filter Combination	1
15	90689-000005	Fuel Tube Connector, M18 x 2.5	1
16	15030-000001	Oil Plug Subassembly	1
17	13200-000015	Piston Ring Assembly	2
18	13111-000021	Piston	2
19	13121-000005	Piston Pin	2
20	13122-000002	Piston Pin Clip	4
21	13010-000016	Connecting Rod	2
22	13005-000001	Bearing Bushing, Ø42 x 21 x 1.5	4
23	90408-000026	Flat Washer, Ø43.5 x Ø64 x 1	1
24	13300-000040	Crankshaft Assembly	1
25	96101-Z120410-0013	Cylinder Head Assembly, Left - See Figure Left C	1
26	12003-000010	Cylinder Head Bolt, M10x 1.25-6hx55	12
27	12004-000018	Cylinder Head Cover Gasket	2
28	12411-000002	Cylinder Head Cover Subassembly	1
29	90007-000016	M6 x 25 Hexagon Flange Bolt	12

#	Part Number	Description	Qty.
30	15010-000026	Oil Dipstick Subassembly	1
31	15031-000003	Oil Plug Assembly	1
32	14200-000026	Camshaft Components	1
33	14081-000007	Valve Tappet	4
34	14070-000008	Valve Lifter	4
35	90502-000010	Pin, 12 x 16	4
36	15014-000002	Oil Dipstick Seal Plug	1
37	96101-Z120410-0014	Cylinder Head Assembly, Right - See Figure Right C	1
38	90502-000006	Pin, 10 x 14	2
39	11001-000013	Crankcase Gasket	1
40	90682-000017	Oil Seal, Ø43 x Ø55 x 7	1
41	11410-000001	Crankcase Cover	1
42	90007-000022	M8 x 40 Hexagon Flange Bolt	12
43	15105-000001	Oil Pump Driven Gear	1
44	90102-000005	M6 x 16 Inside Hexagonal Bolt	3
45	15141-000001	Oil Pump Cover	1
46	15161-000001	Pressure Reducing Valve Spring	1
47	90543-000002	Steel Ball	1
48	15100-000002	Oil Pump Component	1
49	90575-000004	Split Washer	1
50	90692-000001	O-shaped Rubber Seal Ring, Ø10.2x2.65	1
51	15214-000001	Oil Filter Cover	1
52	15211-000001	Oil Screen	1
53	15202-000001	Pressure Sensor	1
54	90001-000040	M8 x 16 Hexagon Flange Bolt	2
55	90254-000003	M3 x 8 Screw & Washer Assembly	2
56	37009-000001	Temperature Sensor	1
57	17003-000011	Air Cleaner Support	1
58	16673-000003	Protective Cover	1

#	Part Number	Description	Qty.
59	17003-000012	Air Cleaner Support 1	1
60	30028-000002	Air Hood Guard Plate	1
61	90007-000013	M6 x 20 Hexagon Flange Bolt	5
62	19304-000011	Cylinder Body Shroud, Left	1
63	19304-000010	Cylinder Body Shroud, Right	1
64	28118-000006	Draught Block, Right Cylinder	1
65	28118-000005	Draught Block, Left Cylinder	1
66	13500-000001	Flywheel Subassembly	1
67	90407-000001	Washer, Ø14.5 x Ø50 x 5, Flywheel Bolt	1
68	19352-000017	Engine Cooling Fan	1
69	13515-000002	Impeller Mounting Disc	1
70	13502-000001	Flywheel Bolt, M14 x 1.5 x 40	1
71	90007-000013	M6 x 20 Hexagon Flange Bolt	1
72	15020-000001	Oil Filler Pipe, Ø12 x 0.7	1
73	30400-000038	Left Ignition Coil	1
74	90007-000017	M6 x 30 Hexagon Flange Bolt	2
75	30400-000039	Ignition Coil, Right	1
76	30300-000009	Starter Motor	1
77	31303-000004	Terminal Block	1
78	90001-000066	M8 x 100 Hexagon Flange Bolt	2
79	90208-000006	M6 x 16 Hexagonal Step Bolt	2
80	19330-000002	Engine Shroud	1
81	28001-000004	Double-ended Support Bolts	4
82	90314-000003	M6 Hexagon Cap Nut	4
83	12510-000001	Intake Tube	1
84	96105-Z16100-0009	Carburetor - See Figure D	1
85	17004-000028	Breather Tube, Ø11 x Ø15	1
86	90001-000044	M8 x 25 Hexagon Flange Bolt	4
87	17002-000007	Air Intake Gasket	2
88	12411-000003	Cylinder Head Cover Subassembly	1
89	90408-000027	Flat Washer, Ø20.3 x Ø30 x 1	1
90	30010-000008	Spark Plug, RC12YC	2

#	Part Number	Description	Qty.
91	90685-000015	Clamp, Ø14 x 1	2
92	90689-000006	Oil Pipe Joint, M10	2
93	90408-000019	Flat Washer, Ø10 x Ø15.8 x 1.5	2
94	11331-000001	Breathing Tank Strainer, 29 x 17 x 16	1
95	11321-000002	Respiratory Tablet	1
96	11331-000003	Breathing Tank Strainer, 47 x 40 x 6.5	1
97	11333-000003	Breathing Tank Cover Plate	1
98	11332-000008	Breathing Tank Gasket	1
99	90103-000003	M4 x 10 Screw	1
100	12045-000002	Reed Valve Stop Plate	1

CYLINDER HEAD LEFT PARTS DIAGRAM

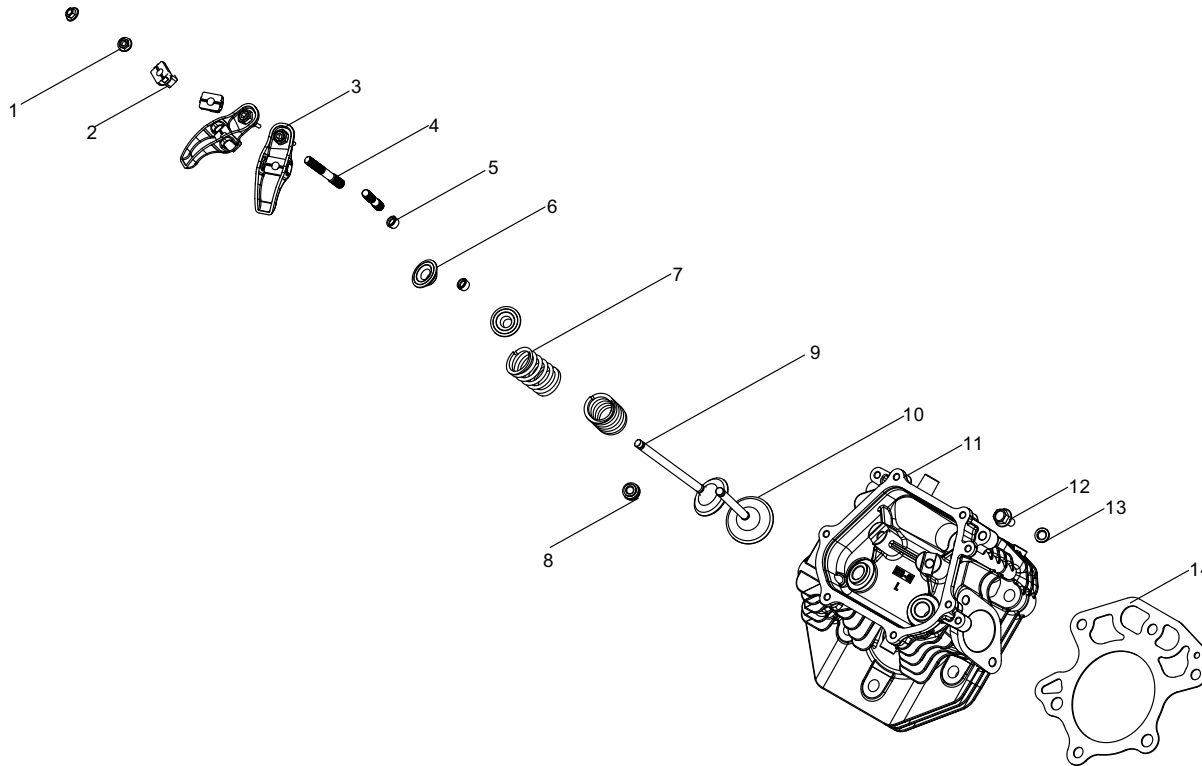


Figure C Left

CYLINDER HEAD LEFT PARTS LIST

#	Part Number	Description	Qty.
1	90332-000003	M7 x 0.75 Lock Nut	2
2	14305-000001	Valve Rocker Arm Support Seat	2
3	14310-000009	Valve Rocker Arm	2
4	90207-000004	Stud, M8 - 6h, M7 x 0.75-6h	2
5	12109-000005	Valve Lock Clamp, Ø6.6 x Ø9.6	4
6	12112-000005	Valve Spring Retainer	2
7	12103-000004	Valve Spring, Ø23 x Ø3 x 44	2
8	12101-000002	Seal Guide	1
9	12121-000016	Exhaust Valve	1
10	12111-000014	Intake Valve	1
11	12140-000029	Cylinder Head	1
12	90007-000007	M6 x 12 Hexagon Flange Bolt	1
13	90408-000028	Flat Washer, Ø6.5 x Ø13 x 1.5	1
14	12131-000017	Cylinder Head Gasket	1

CYLINDER HEAD RIGHT PARTS DIAGRAM

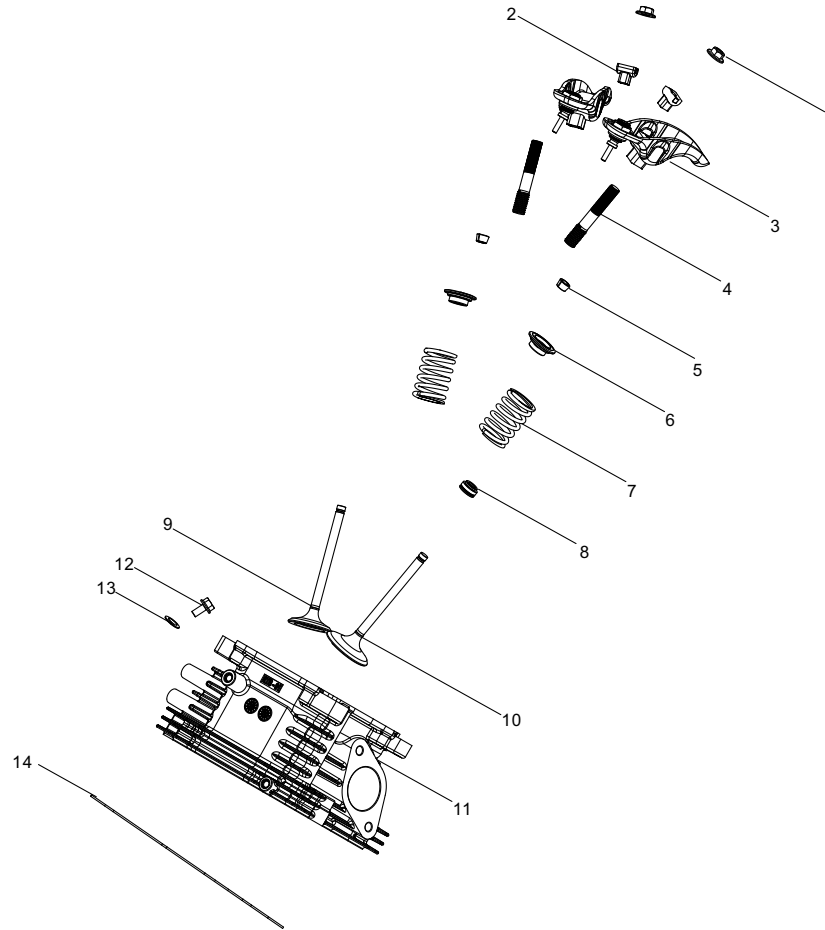


Figure C Right

CYLINDER HEAD RIGHT PARTS LIST

#	Part Number	Description	Qty.
1	90332-000003	M7 x 0.75 Lock Nut	2
2	14305-000001	Valve Rocker Arm Support Seat	2
3	14310-000010	Valve Rocker Arm	2
4	90207-000004	Stud, M8 - 6h, M7 x 0.75-6h	2
5	12109-000005	Valve Lock Clamp	4
6	12112-000005	Valve Spring Retainer	2
7	12103-000004	Valve Spring, Ø23 x Ø3 x 44	2
8	12101-000002	Seal Guide	1
9	12121-000016	Exhaust Valve	1
10	12111-000014	Intake Valve	1
11	12140-000030	Cylinder Head	1
12	90007-000007	M6 x 12 Hexagon Flange Bolt	1
13	90408-000028	Flat Washer, Ø6.5 x Ø13 x 1.5	1
14	12131-000017	Cylinder Head Gasket	1

MIXER PARTS DIAGRAM

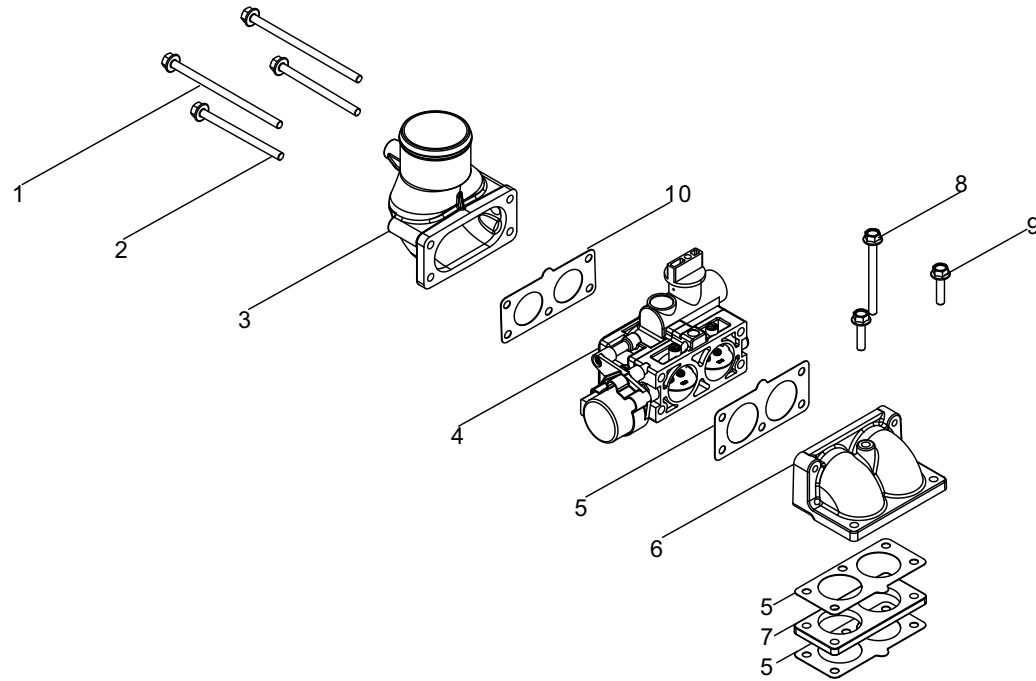


Figure D

MIXER PARTS LIST

#	Part Number	Description	Qty.
1	90007-000028	M6 x 110 Hexagon Flange Bolt	2
2	90007-000027	M6 x 80 Hexagon Flange Bolt	2
3	12051-000001	Intake Pipe Connection	1
4	16B00-000001	Gas Mixer Components	1
5	16004-000003	Heat Shield Gasket	3
6	17112-000003	Air Cleaner Connection Tube	1
7	16003-000019	Mixer Insulator Plate	1
8	90007-000020	M6 x 65 Hexagon Flange Bolt	1
9	90007-000016	M6 x 25 Hexagon Flange Bolt	2
10	17001-000013	Air Cleaner Gasket	1

BASE PLATE ASSEMBLY PART DIAGRAM

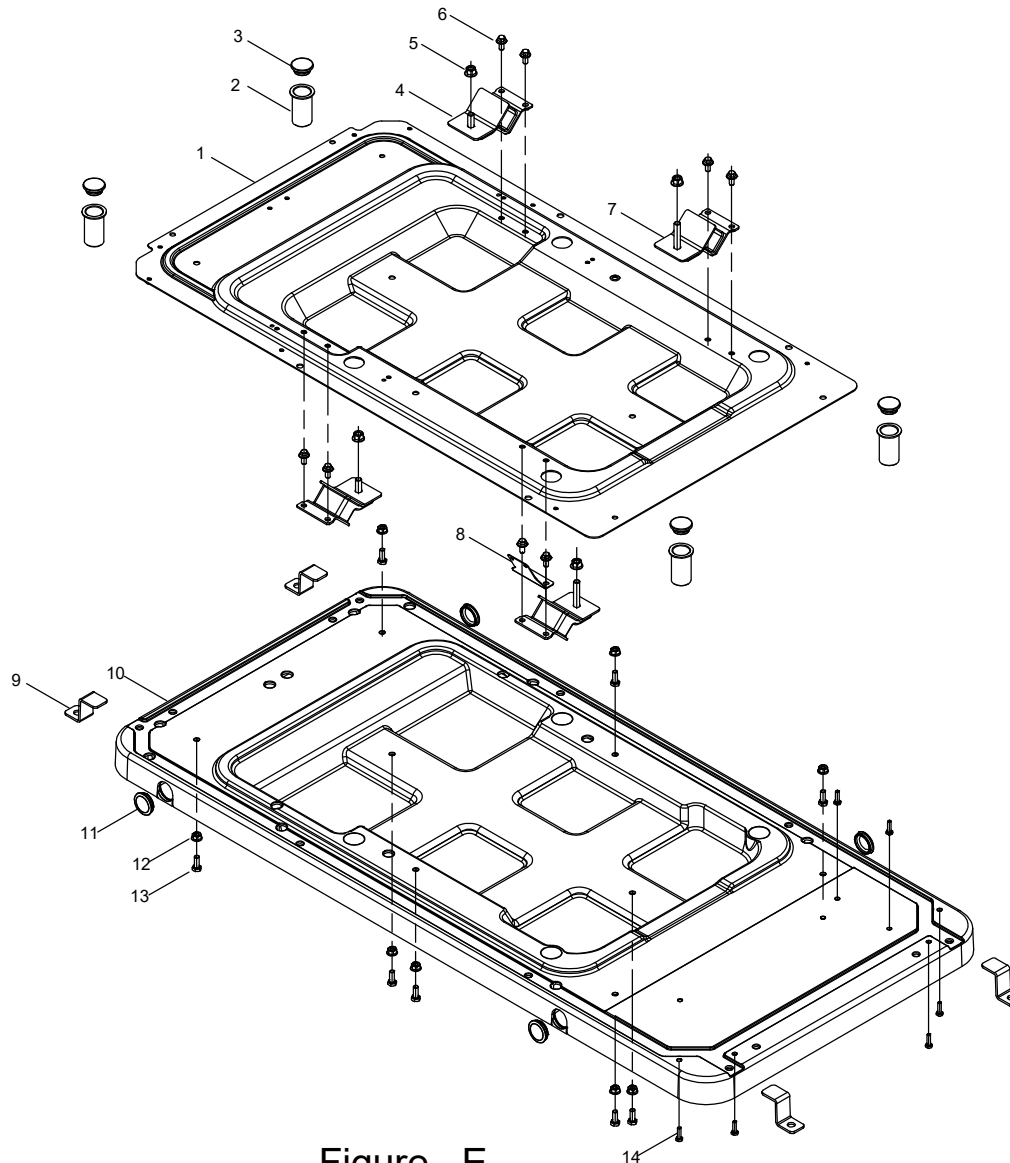


Figure E

BASE PLATE ASSEMBLY PARTS LIST

#	Part Number	Description	Qty.
1	78100-000001	Base Component	1
2	90683-000012	Bushing	4
3	90722-000021	End Cap	4
4	51005-000014	Vibration Mount 1, Frame	2
5	90332-000004	M10 x 1.25 Lock Nut	4
6	90001-000040	M8 x 16 Hexagon Flange Bolt	8
7	51005-000013	Vibration Mount 2, Frame	2
8	51124-000019	Mounting Bracket	1
9	51124-000020	Mounting Bracket 1	4
10	51140-000001	Base Plate	1
11	90722-000023	End Cap	4
12	90305-000010	M8 Hexagon Flange Nut	8
13	90005-000007	M8 x 20 Hexagon Bolt	8
14	90005-000006	M6 x 16 Hexagon Bolt	6

CONTROL PANEL PARTS DIAGRAM

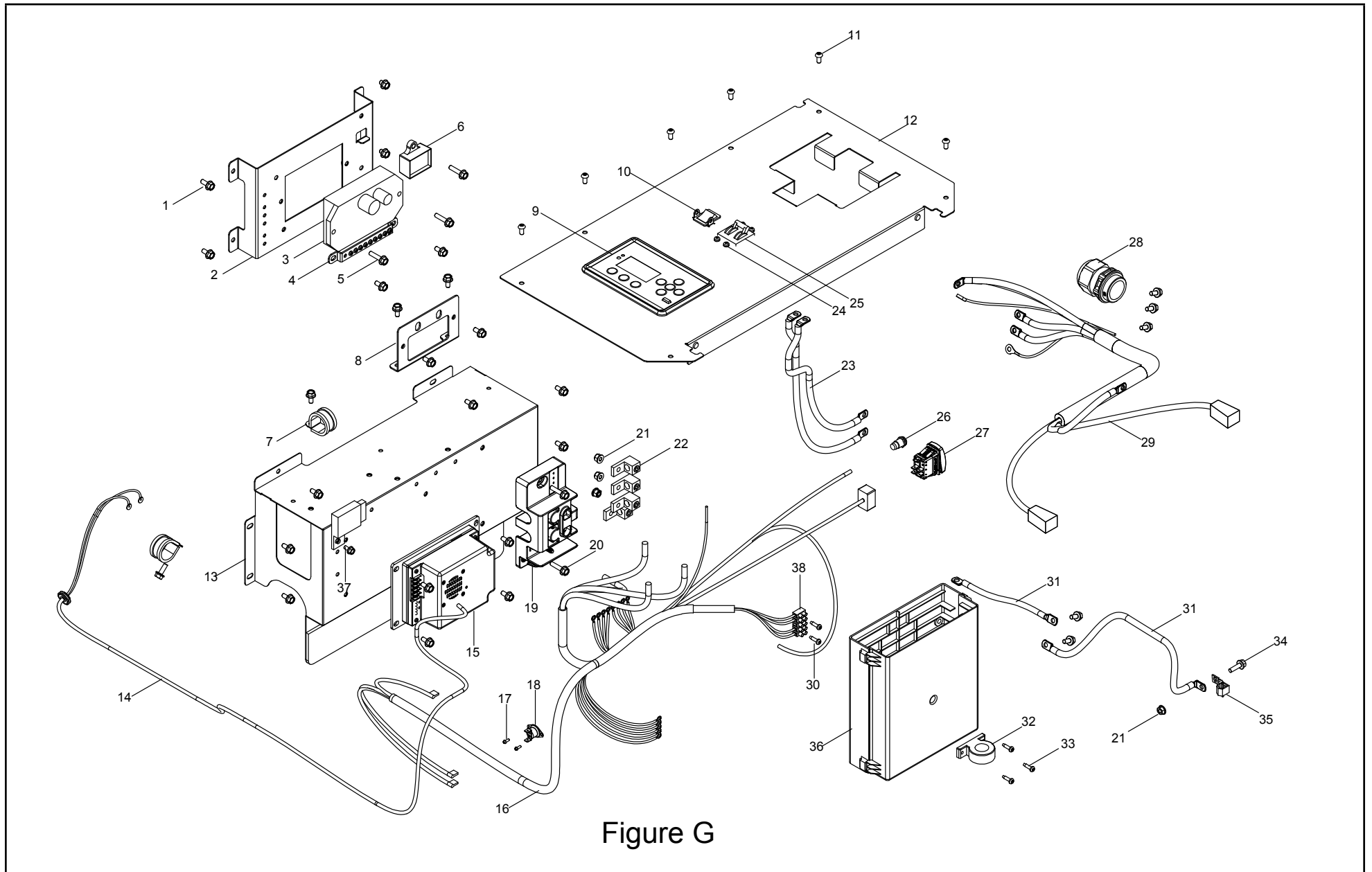


Figure G

CONTROL PANEL PARTS LIST

#	Part Number	Description	Qty.
1	90022-000002	M6 x 12 Serrated Hexagon Flange Bolt	29
2	30361-000001	Control Box Mounting Bracket	1
3	30060-000022	Regulator	1
4	31303-000005	Terminal Block	1
5	90007-000011	M6 x 16 Hexagon Flange Bolt	3
6	30008-000007	Control Module	1
7	90740-000013	Clamp	2
8	51124-000018	Mounting Bracket	1
9	35650-000040	Control Panel	1
10	5.1050.009	UL Switch, Black	1
11	90111-000001	M6 x 12 Socket head screw	6
12	80097-000001	Decorative Plate	1
13	76021-000004	Charger Mounting Bracket	1
14	31326-000001	Carbon Brush Wire Harness	1
15	102652	Battery Charger, 24V, 7A	1
16	35542-000001	HSB Wire Harness	1
17	90254-000003	M3 x 8 Screw And Washer	2
18	5.1050.014	Temperature Sensor	1
19	31303-000006	Terminal Block 1	1
20	90022-000003	M6 x 25 Bolt	2
21	90327-000002	M6 Hexagon Flange Lock Nut	4
22	31306-000001	Ground Terminal	4
23	90805-000002	Connecting Wires	1
24	90103-000016	M3 x 6 Screw	4
25	5.1241.9100.2	100Amp Circuit Breaker, Double Pole, UL	1
26	90803-000002	Indicator Light	1
27	5.1040.015	Emergency Shutdown Switch	1
28	35543-000001	Harness Jacket	1
29	31112-000016	Battery DC Wire Harness	1
30	90107-000011	ST2.5 x 16 Screw	2

#	Part Number	Description	Qty.
31	30009-000021	Ground Wire	1
32	35624-000001	Current Transformer	1
33	90124-000002	PT4 x 13 Screw	3
34	90022-000004	M6 x 30 Serrated Hexagon Flange Bolt	1
35	35629-000003	Ground Terminal Assembly	1
36	35230-000001	Breaker Shield	1
37	90001-000001	M5 x 10 Hexagon Flange Bolt	1
38	31306-000002	Terminal Block 2	1

FRAME ASSEMBLY PARTS DIAGRAM

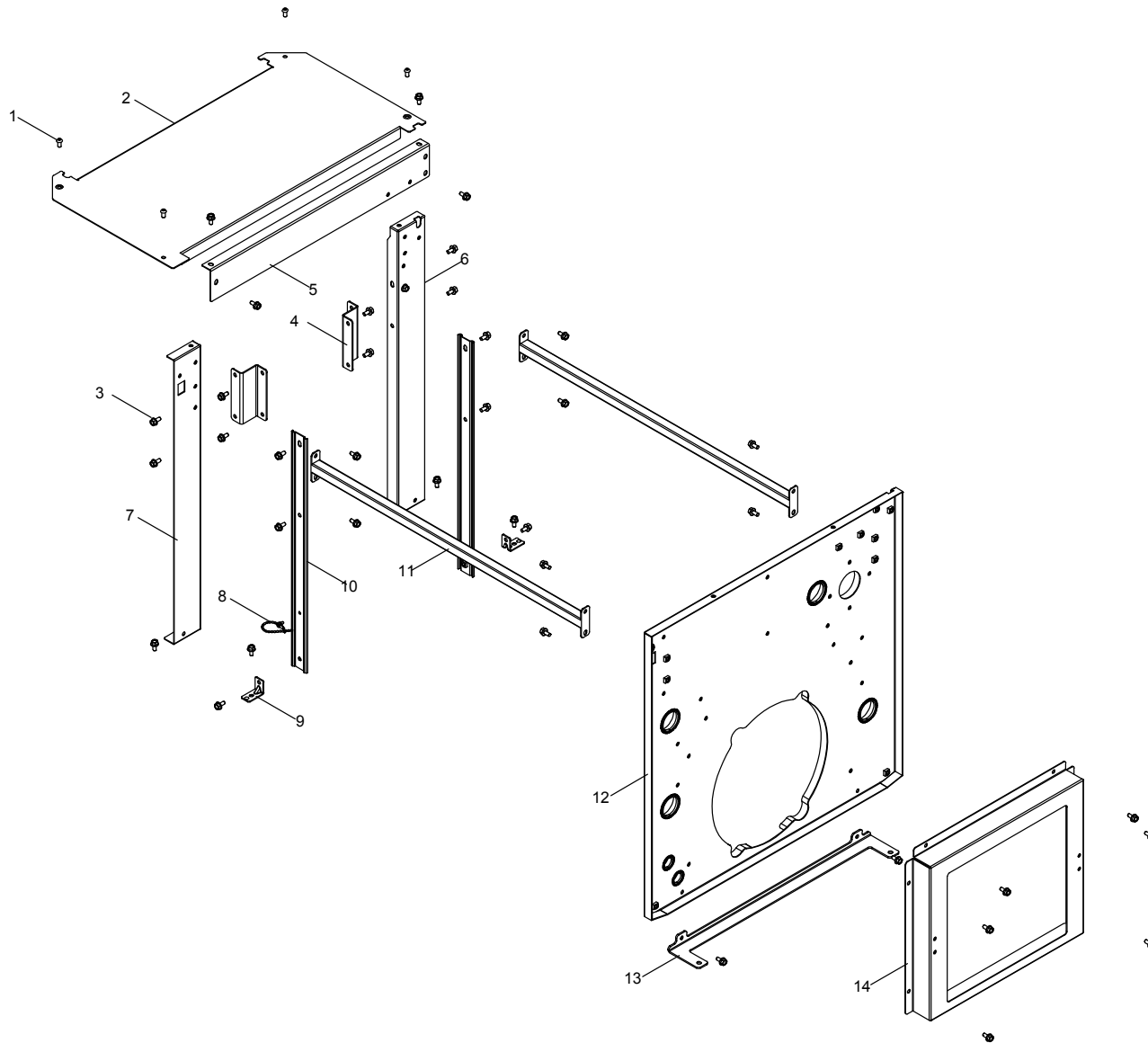
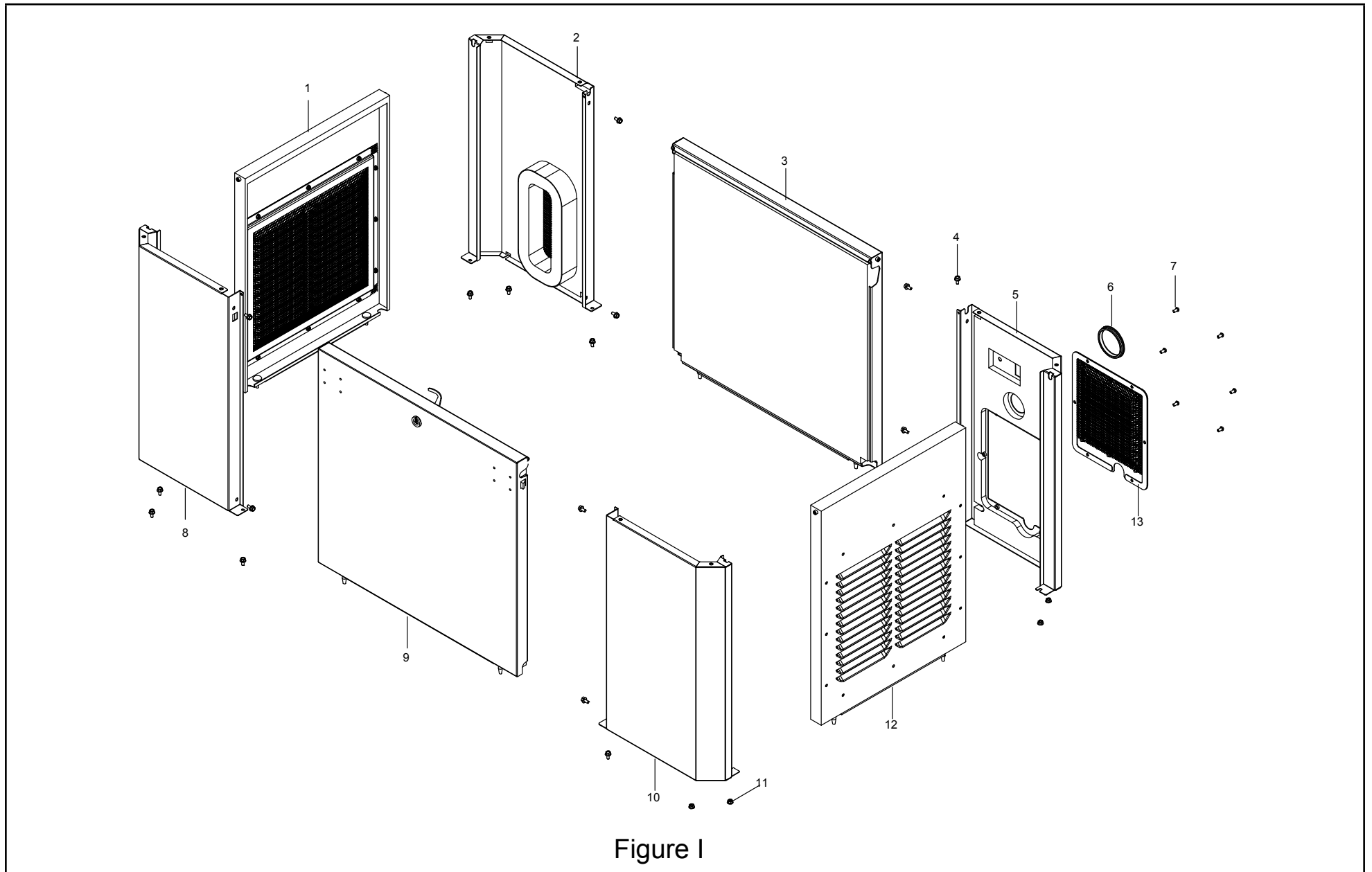


Figure H

FRAME ASSEMBLY PARTS LIST

#	Part Number	Description	Qty.
1	90111-000001	M6 x 12 Inside Hexagonal Bolt	4
2	80093-000001	Decorative Plate	1
3	90022-000002	M6 x 12 Serrated Hexagon Flange Bolt	38
4	51124-000017	Mounting Bracket 2	2
5	51035-000004	Support 6	1
6	51035-000003	Support 4	1
7	51035-000002	Support 1	1
8	90727-000012	Band	1
9	51168-000001	Mounting Bracket 1	2
10	51035-000001	Support 3	2
11	51035-000005	Support 2	2
12	76021-000003	Mounting Plate	1
13	51035-000006	Support 5	1
14	19346-000001	Radiator Support Lug	1

SHELL PARTS DIAGRAM



SHELL PARTS LIST

#	Part Number	Description	Qty.
1	80092-000027	Side Panel, Electrical Components	1
2	51116-000003	Side Panel, Right 1	1
3	80103-000001	Rear Panel	1
4	90022-000002	M6 x 12 Serrated Hexagon Flange Bolt	16
5	51116-000004	Side Panel, Right 2	1
6	90722-000024	End Cap	1
7	90111-000001	M6 x 12 Inside Hexagonal Bolt	6
8	51116-000001	Side Panel, Left 1	1
9	80094-000001	Front Panel	1
10	51116-000002	Side Panel, Left 2	1
11	90327-000002	M6 Hexagon Flange Lock Nut	4
12	80096-000026	Muffler Side Panel	1
13	76021-000006	Air Guide Panel	1

ALTERNATOR PARTS DIAGRAM

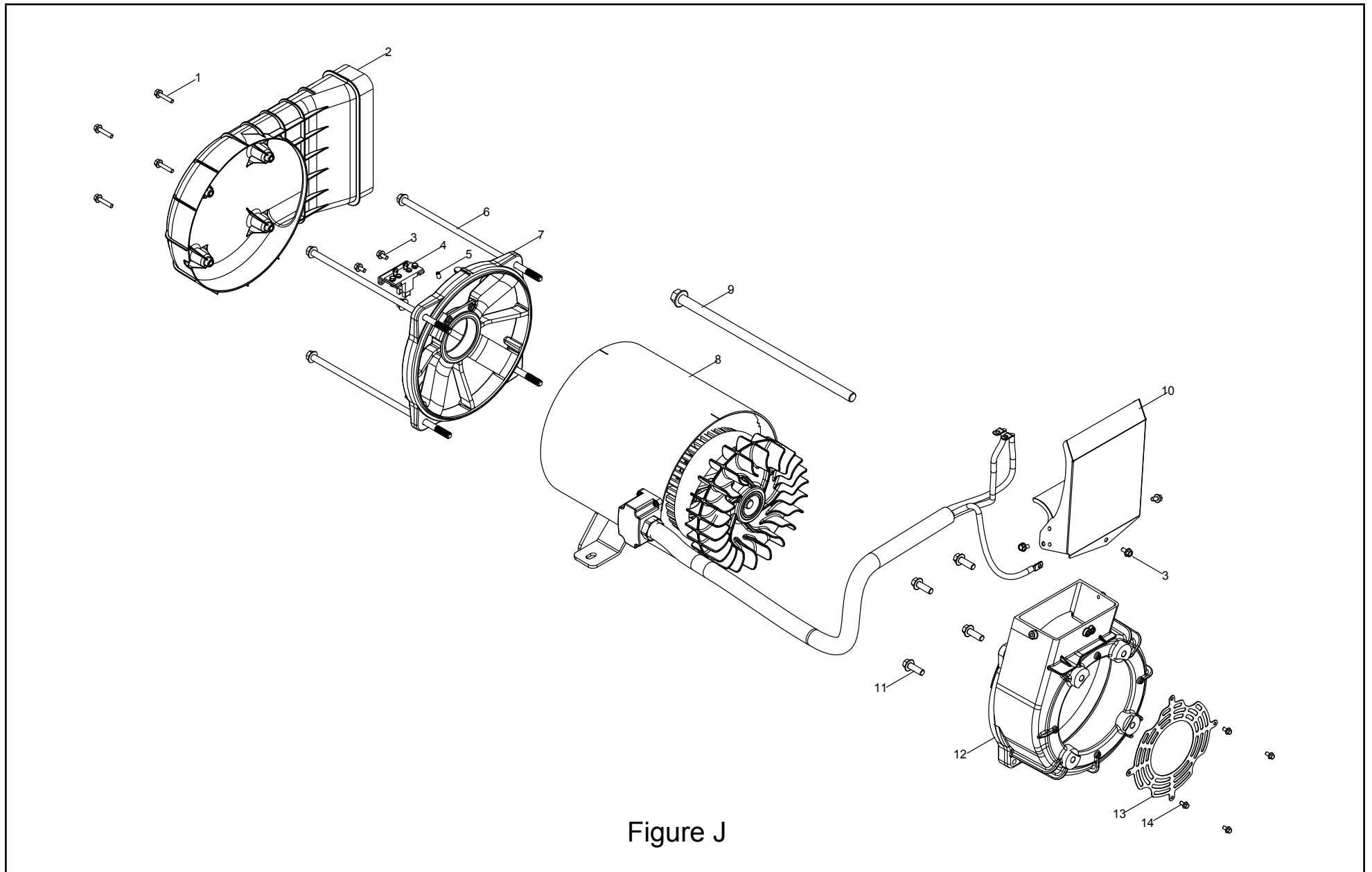


Figure J

ALTERNATOR PARTS LIST

#	Part Number	Description	Qty.
1	90022-000004	M6 x 30 Serrated Hexagon Flange Bolt	4
2	30022-000010	End Housing Cover, Black	1
3	90022-000002	M6 x 12 Serrated Hexagon Flange Bolt	5
4	31320-000006	Carbon Brush Subassembly	1
5	90121-000001	M6 x 12 Inside Hexagonal Bolt	1
6	30048-000007	Stator Bolt	4
7	30021-000006	End Housing	1
8	31300-000026	Alternator Assembly	1
9	30049-000007	Rotor Bolt	1
10	19313-000003	Wind Board	1
11	90001-000057	M10 x 25 Hexagon Flange Bolt	4
12	30031-000002	Motor Front End Cover	1
13	76021-000005	Alternator Protective Plate	1
14	90001-000001	M5 x 10 Hexagon Flange Bolt	4

MUFFLER PARTS DIAGRAM

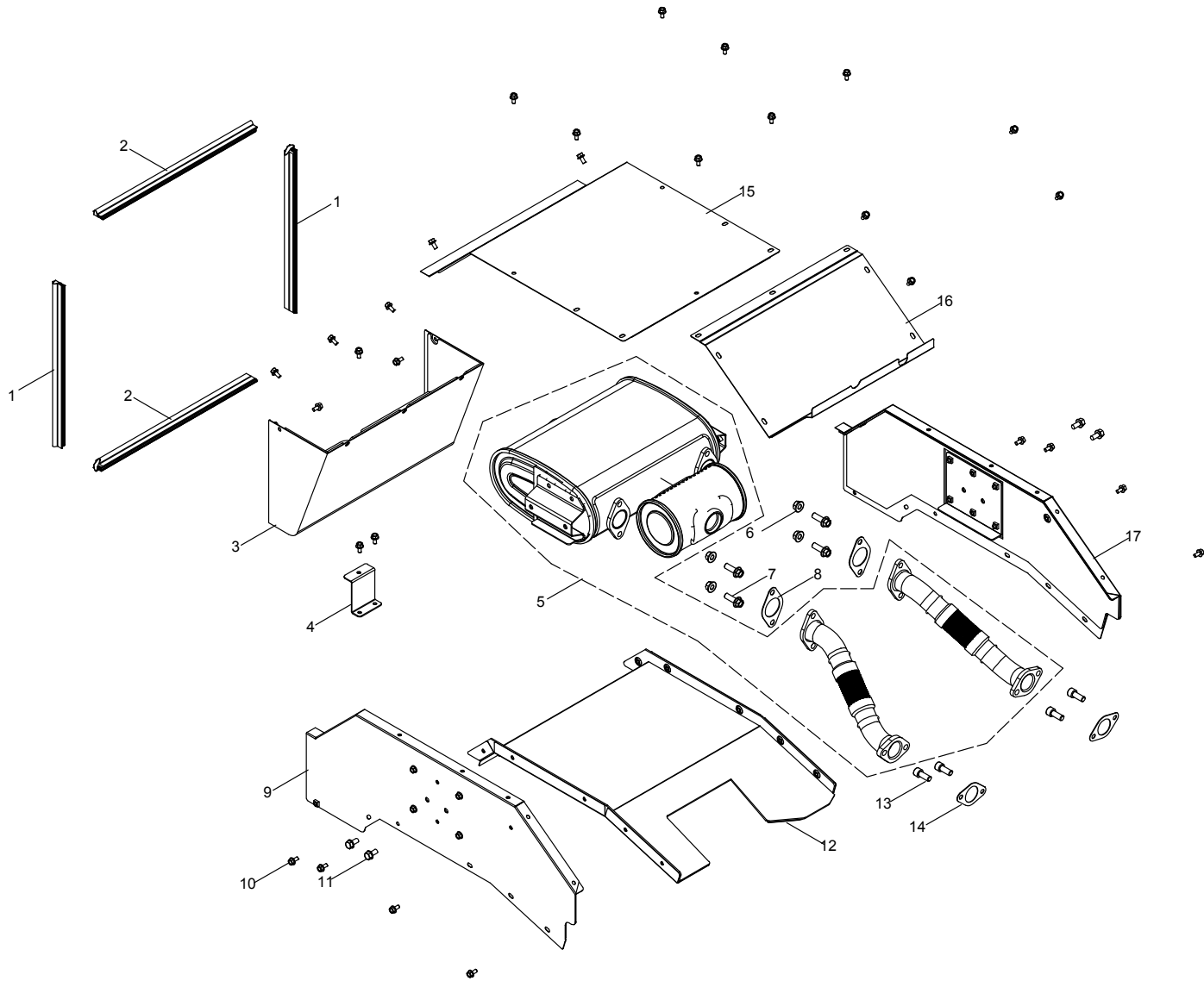


Figure K

MUFFLER PARTS LIST

#	Part Number	Description	Qty.
1	51198-000012	Sealing Strip 1	2
2	51198-000011	Sealing Strip 2	2
3	18109-000006	Muffler Shield, Top	1
4	51168-000002	Mounting Bracket	1
5	18100-000046	Muffler	1
6	90332-000004	M10 x 1.25 Lock Nut	4
7	90002-000001	M10 x 30 Hexagon Flange Bolt	4
8	18001-000012	Muffler Exhaust Gasket 1	2
9	18109-000007	Muffler Shield, Left	1
10	90022-000002	M6 x 12 Serrated Hexagon Flange Bol	29
11	90001-000039	M8 x 16 Hexagon Flange Bolt	4
12	18109-000010	Muffler Fairing, Muffler Buttom	1
13	90102-000006	M10 x 25 Inside Hexagonal Bolt	4
14	18001-000005	Mufler Exhaust Gasket 2	2
15	18109-000009	Muffler Shield, Rear	1
16	18109-000005	Muffler Shield, Front	1
17	18109-000008	Muffler Shield, Right	1

WIRING DIAGRAM

