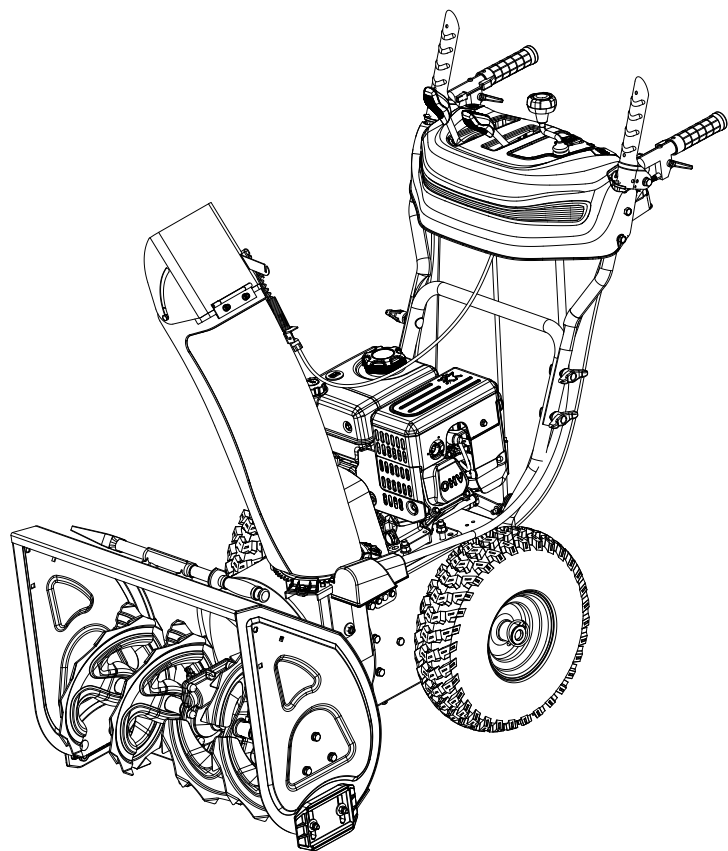




YARDWORKS^{®/MD}

MODEL #060-0608-2



PARTS INFORMATION

SNOWBLOWER

SERIAL NUMBER RANGE: ALL



To order replacement parts please call:
1-866-523-5218.

TABLE OF CONTENTS

Snowblower Parts Diagram	3
Snowblower Parts List	4
Engine Assembly Parts Diagram	5
Engine Assembly Parts List	6
Engine Parts Diagram	7
Engine Parts List	8
DriveTrain Parts Diagram	10
DriveTrain Parts List	11
Auger Parts Diagram	13
Auger Parts List	14
Chute Parts Diagram	16
Chute Parts List	17
Handle Assembly Parts Diagram	18
Handle Assembly Parts List	19
Wiring Diagram	21

SNOWBLOWER PARTS DIAGRAM

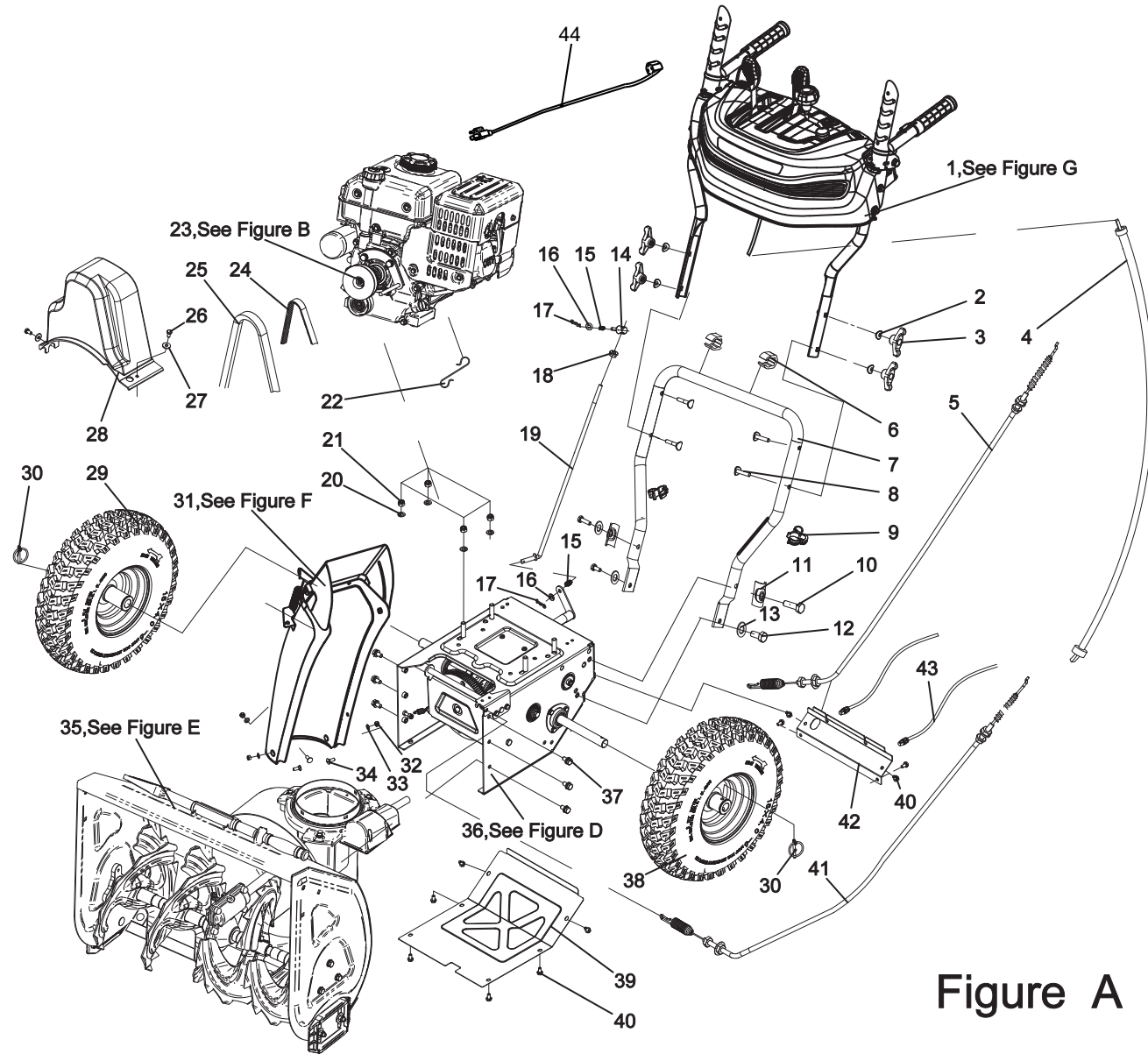


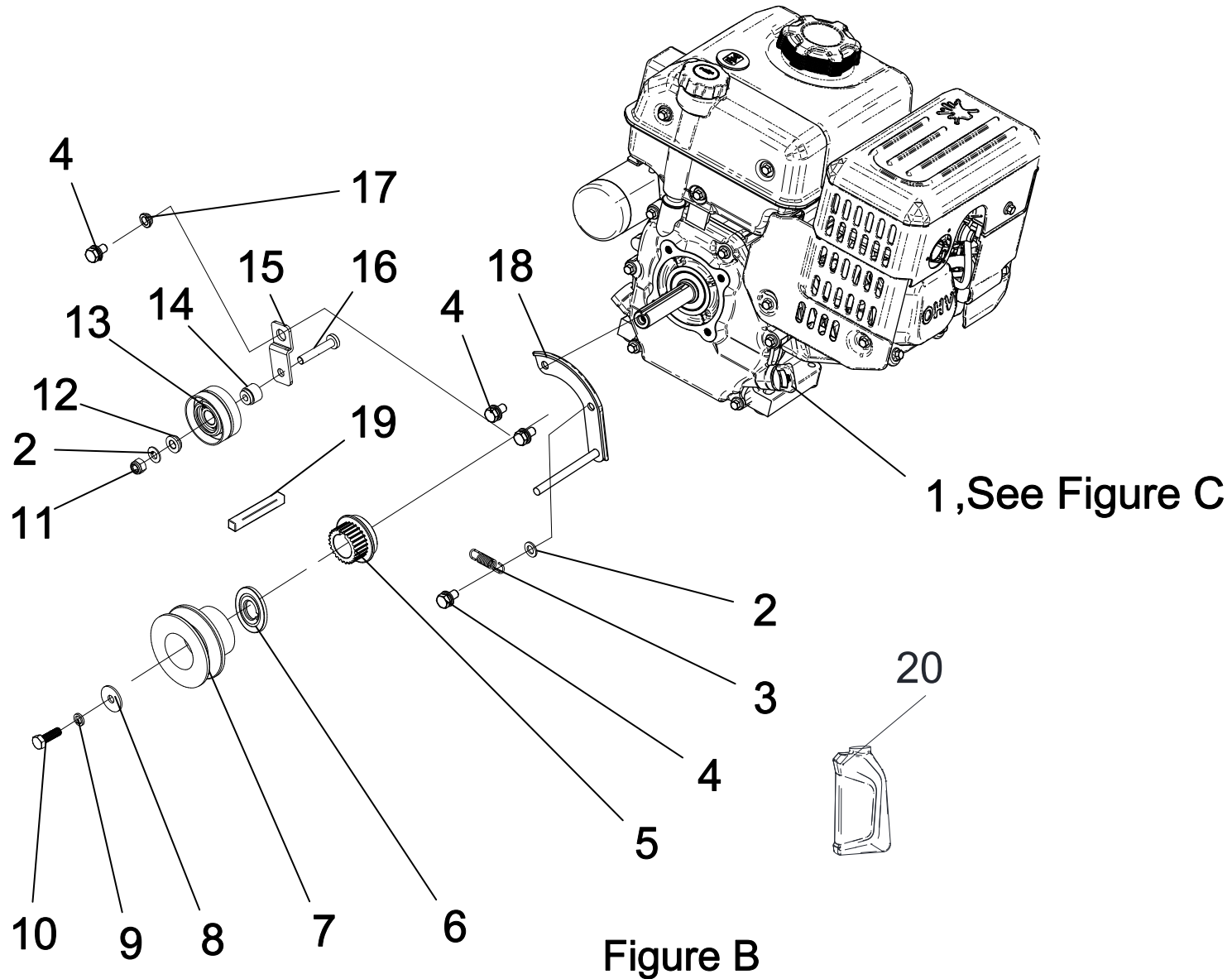
Figure A

SNOWBLOWER PARTS LIST

#	Part Number	Description	Qty.
1	02.1.17.01.003	Control Panel Assembly, See Figure G	1
2	10.12.08.5.201	Curved Washer	4
3	05.1.22.100	Rotating Knob	4
4	11.1.10.009	Flexible Shaft	1
5	11.1.09.006	Drive Cable, Length 1800mm	1
6	05.4.04.1200	Clamp, PP	2
7	06.1.09.06.007	Lower Handle, ø25	1
8	10.07.08.1.210	Saddle Bolt, M8 x 50	4
9	05.1.53.001	Cable Clamp, PP	2
10	G5782-2000-M8-45	Bolt M8 x 45, Hex Head	2
11	09.1.01.03.007	Dish Washer, 40 x 30 x 3	2
12	G5783-2000-M8-20	Bolt M8X20, Hex Head	2
13	G96.1-2002-8	Flat Washer, ø8 x 22 x 2	2
14	08.1.10.02.013	Connecting Pin, Speed Control	1
15	14.1.10.02.001	Spring, Connecting Pin, ø1.2 x ø10 x 20	2
16	G97.1-2002-8	Flat Washer, ø8 x 16 x 1.2	6
17	10.24.00.9.202	Cotter Pin, ø1.8 x 36.5 x 16.2	2
18	G6177.1-2000-M8	Flange Nut M8	1
19	09.1.10.03.044	Gear Connecting Rod, ø8 x 600	1
20	G97.1-2002-8	Flat Washer, ø8 x 16 x 1.2	4
21	G6182-2000-M8	Lock Nut M8 (Nylon)	4
22	08.1.19.00.001	Auger Cable Hook, ø2 x 100	1
23	02.1.35.02.001	Engine, 224cc, Electric Start, See Figure B	1
24	10.16.10.002	Synchronous Belt 750mm	1
25	10.16.02.016	Drive Belt 4LXA890E	1
26	G5783-2000-M6-12	Bolt M6 x 12	2
27	G96.1-2002-6	Washer Ø6 x Ø18	2
28	05.1.19.005	Belt Cover	1
29	03.1.13.13.60	Right Wheel	1
30	03.1.19.21.00	Spring Pin, ø6 x 60 x 13	2

#	Part Number	Description	Qty.
31	03.1.07.16.50	Chute Assembly, See Figure F	1
32	G6182-2000-M6	Lock Nut M6 (Nylon)	6
33	G97.1-2002-6	Washer Ø6 x Ø12	3
34	G12-1988-M6-12	Bolt M6 x 12	3
35	02.1.35.04.001	Auger Assembly, See Figure E	1
36	02.1.35.03.012	Drivetrain Assembly, See Figure D	1
37	G9074.17-1988-M8-16	Bolt and washer, M8 x 16	6
38	03.1.13.13.59	Left Wheel	1
39	09.1.33.06.001	Rear Cover	1
40	G9074.17-1988-M6-12	Bolt and washer, M6 x 12	10
41	11.1.09.005	Auger Cable, 180mm	1
42	07.1.53.06.002	Housing Plate	1
43	11.1.35.008	Speed Adjustment Cable	2
44	13.1.35.02.001	AC Cable, SJTW / 16AWG	1

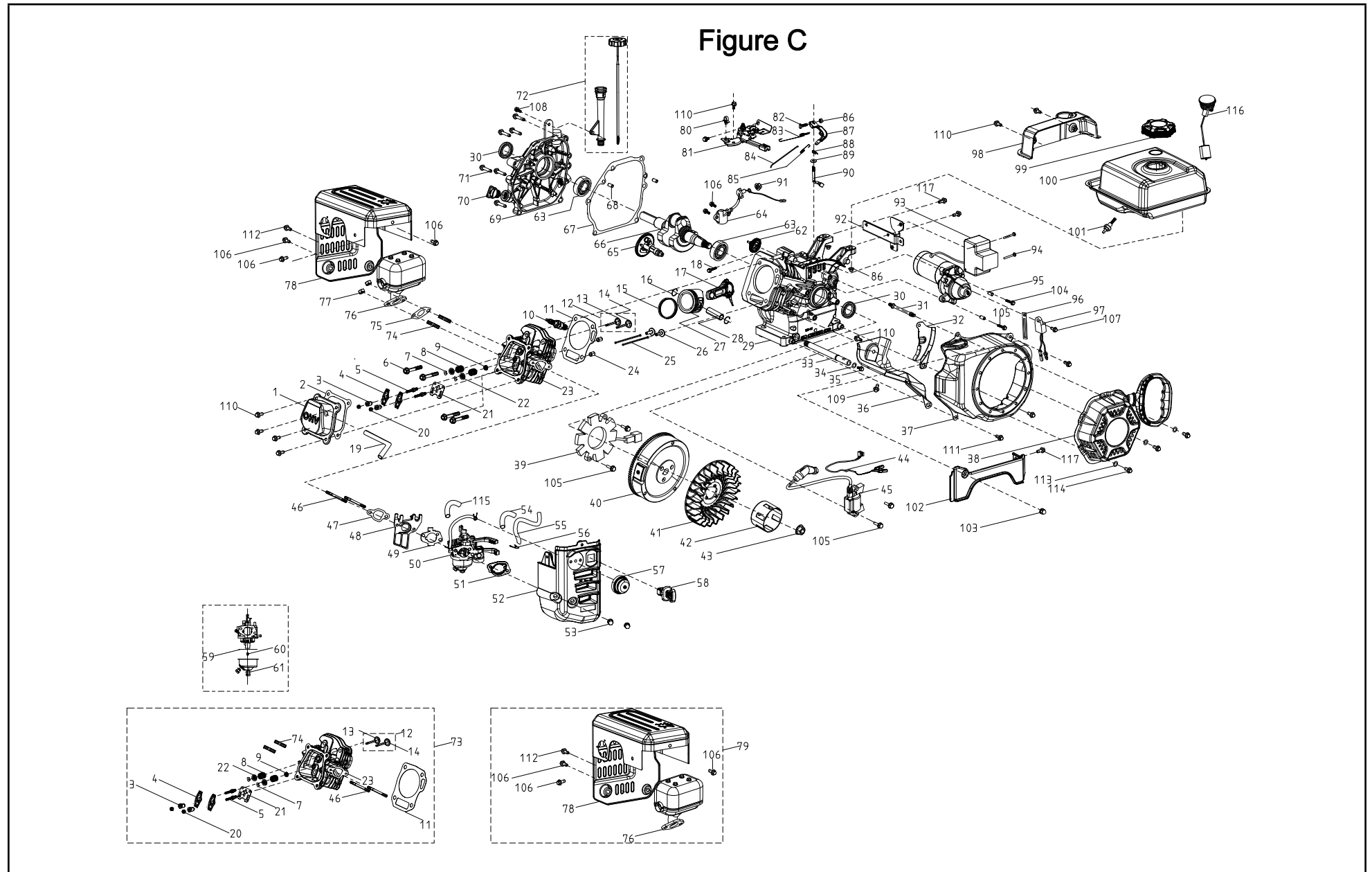
ENGINE ASSEMBLY PARTS DIAGRAM



ENGINE ASSEMBLY PARTS LIST

#	Part Number	Description	Qty.
1	04.1.07.04.8001	Engine, 224cc, R225DS, See Figure C	1
2	G97.1-2002-8	Washer Ø0.8 x Ø1.6	2
3	14.1.01.01.001	Small tension pulley spring	1
4	10.01.08.7.201	Bolt Washer Combination, Ø7.93 x 20, 5/16-24UNF	4
5	08.1.10.00.029	Synchronous Pulley Ø19 x Ø40 x 39	1
6	08.1.01.00.004	Drive Pulley Bushing Ø20 x 4	1
7	08.1.17.06.001	Drive Pulley 24 Inch	1
8	10.12.08.1.206	Washer Ø8	1
9	G93-1987-8	Spring Washer Ø8	1
10	10.01.08.3.202	Bolt Ø7.93 x 30, 5/16-24UNF	1
11	G6182-2000-M8	Lock Nut M8 (Nylon)	1
12	08.1.01.00.012	Spacer Ø1.8 x Ø1	1
13	03.1.10.10.00	Small Tension Pulley	1
14	08.1.10.00.001	Small Tension Pulley Bushing Ø18 x Ø10 x 11	1
15	09.1.01.03.014	Small Tensioning Plate	1
16	G5783-2000-M8-40	Bolt M8 x 40	1
17	08.1.01.00.019	Small Tension Plate Bushing Ø15 x 6	1
18	09.1.35.03.005	Belt Guide Assembly	1
19	10.28.01.2.001	Square Key 4.78 x 4.78 x 50	1
20	04.08.005	500 ml Oil Bottle, 0W-30	1

ENGINE PARTS DIAGRAM



ENGINE PARTS LIST

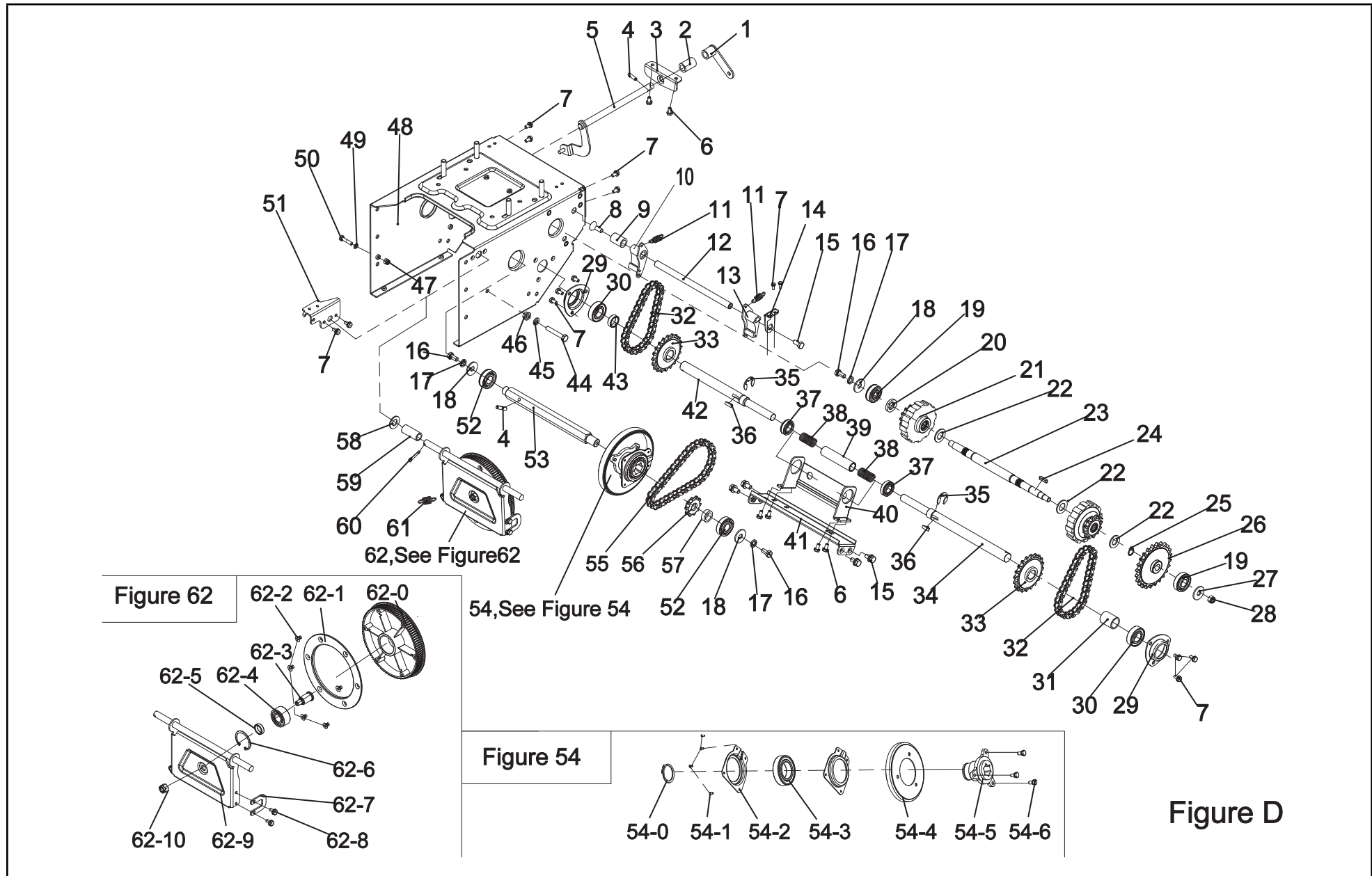
#	Part Number	Description	Qty.
1	12410-000009	Cylinder Head Cover Subassembly, White Zinc	1
2	12004-000001	Cylinder Head Cover Gasket	1
3	14314-000001	Valve Adjusting Nut	2
4	14311-000001	Valve Rocker	2
5	14313-000001	Valve Adjusting Bolt	2
6	12003-000001	Cylinder Head Bolt, M8 x 60, White Zinc	4
7	12109-000004	Valve Lock Clamp	4
8	12103-000001	Valve Spring	2
9	12101-000006	Seal Guide	1
10	30010-000001	Spark Plug, F6RTC	1
11	12131-000016	Cylinder Head Gasket	1
12	12110-000013	Valves Set	1
13	12121-000013	Exhaust Valve	1
14	12111-000010	Inlet Valve	1
15	13200-000004	Piston Rings Set	1
16	13122-000005	Piston Pin Clip	2
17	13010-000012	Connecting Rod	1
18	90001-000032	Hexagon Flange Bolt, M6 x 32, White Zinc	1
19	17004-000016	Breather Tube	1
20	14312-000001	Valve Lock Nut	2
21	14090-000001	Lifter Stopper Plate Subassembly, White Zinc	1
22	12112-000008	Valve Spring Retainer	2
23	12140-000020	Cylinder Head Subassembly	1
24	90502-000007	Pin, 11 x 14	2
25	14071-000004	Valve Rod	2
26	14081-000002	Valve Lifter	2
27	13111-000016	Piston	1
28	13121-000011	Piston Pin, Ø13 x Ø45.9	1
29	11310-000009	Crankcase Subassembly	1
30	90682-000008	Oil Seal, Ø25 x Ø41.25 x 6	2

#	Part Number	Description	Qty.
31	90204-000013	Stud, M6 x 92.8	1
32	19340-000008	Lower Shield, White Zinc	1
33	11011-000005	Oil Drain Tube	1
34	90408-000021	Washer, Ø10 x Ø15.8 x 1.5	1
35	11007-000001	Drain Plug Bolt, M10 x1.25 x15, White Zinc	1
36	19304-000002	Cylinder Body Shroud, White Zinc	1
37	28110-000017	Shroud	1
38	28200-000016	Recoil Starter Assembly	1
39	30140-000001	Charging Coil	1
40	13510-000001	Flywheel Subassembly	1
41	19352-000005	Impeller	1
42	28002-000004	Starter Pulley, White Zinc	1
43	13501-000001	Flywheel Nut, M14 x 1.5, White Zinc	1
44	30423-000001	Ignition Coil Stop Engine Wire	1
45	30400-000018	Ignition Coil	1
46	90207-000001	Stud, M6 x 105, White Zinc	2
47	16002-000002	Carburetor Insulator Gasket	1
48	16003-000001	Carburetor Insulator Plate	1
49	16001-000001	Carburetor Gasket	1
50	16100-000025	Carburetor Assembly	1
51	17001-000008	Air Cleaner Gasket	1
52	17100-000019	Air Cleaner	1
53	90314-000004	Nut, M6 x 17, Chrome Plated	2
54	30431-000016	Rubber Jacket, Ø9.5 x Ø11 x 90, Black	1
55	90686-000028	Fuel Pipe, Ø4.5 x Ø8.5 x 165	1
56	90740-000012	Clamp, Ø7, White Zinc	2
57	16210-000003	Primer Bulb	1
58	35540-000009	Stop Engine Switch Subassembly	1
59	16112-000001	Seal Ring, Float	1

#	Part Number	Description	Qty.
60	16161-000018	Main Jet (68#), Altitude 6000-8000 feet	/
	16161-000020	Main Jet (70#), Altitude 3000-6000 feet	/
	16161-000022	Main Jet (72#), Standard	1
61	90681-000005	Seal Ring	1
62	16400-000007	Governor Gear Assembly	1
63	90547-000006	Bearing, 6205 P5C3	2
64	37060-000001	Engine oil Sensor, W/O Nut	1
65	14200-000010	Camshaft Assembly	1
66	13300-000038	Crankshaft Assembly	1
67	11001-000007	Crankcase Gasket	1
68	90502-000002	Pin, 8 x 12	2
69	11411-000008	Crankcase Cover	1
70	15030-000001	Engine Oil Plug Subassembly	1
71	90001-000047	Hexagon Flange Bolt, M8 x 32, White Zinc	6
72	15010-000011	Oil Dipstick Subassembly	1
73	96101-Z120410-0003	Cylinder Head Assembly Kit	1
74	90203-000002	Stud, M8 x 34, Black Zinc	2
75	18001-000001	Exhaust Outlet Gasket	1
76	18100-000034	Muffler Assembly	1
77	90303-000005	Hexagon Flange Nut, M8, White Zinc	2
78	18140-000001	Scald Resistant Cover	1
79	96003-Y18100-0018	Muffler Assembly Kit	1
80	90684-000004	Clip	1
81	16520-000015	Throttle Control Assembly, White Zinc	1
82	16072-000001	Governor Support Bolt, M6 x 21, White Zinc	1
83	16063-000011	Spring, Governor, Ø6 x Ø0.8 x 127, White Zinc	1
84	16062-000001	Governeor Rod, White Zinc	1
85	16012-000001	Throttle Valve Returning Spring	1
86	90305-000007	Hexagon Flange Nut, M6, White Zinc	3
87	16070-000001	Governor Support Subassembly, White Zinc	1
88	90501-000005	Pin, White Zinc	1
89	90408-000020	Washer, Ø6.2 x Ø15 x 0.6	1

#	Part Number	Description	Qty.
90	16061-000001	Governor Arm	1
91	90305-000014	Hexagon Flange Nut, M10, White Zinc	1
92	30360-000001	Support Control Box Subassembly	1
93	30300-000003	Starting Motor Assembly	1
94	90103-000009	Screw, M4 x 55, Black Zinc	2
95	90502-000001	Pin, 8 x 10	2
96	90684-000003	Clip	1
97	37050-000001	Oil Protector, White Zinc	1
98	16667-000001	Fuel Tank Decorated Plate	1
99	16730-000016	Fuel Tank Cover	1
100	16620-000029	Fuel Tank	1
101	16680-000003	Fuel Tank Oil Outlet Subassembly	1
102	80057-000001	Front Snow Guard	1
103	90314-000002	Nut, M6, White Zinc	1
104	90001-000033	Hexagon Flange Bolt, M6 x 35, White Zinc	1
105	90001-000026	Hexagon Flange Bolt, M6 x 25, White Zinc	5
106	90001-000020	Hexagon Flange Bolt, M6 x 14, White Zinc	5
107	90001-000006	Hexagon Flange Bolt, M5 x 14, White Zinc	1
108	90001-000022	Hexagon Flange Bolt, M6 x 16, White Zinc	1
109	90001-000016	Hexagon Flange Bolt, M6 x 10, White Zinc	4
110	90001-000018	Hexagon Flange Bolt, M6 x 12, White Zinc	7
111	90007-000007	Hexagon Flange Bolt, M6 x 12, White Zinc	3
112	90001-000040	Hexagon Flange Bolt, M8 x 16, White Zinc	1
113	90408-000005	Washer	3
114	90001-000012	Hexagon Flange Bolt, M6 x 8, White Zinc	3
115	16214-000001	Tube Jacket, Primer Bulb, Ø8 x 100	1
116	37200-000016	Fuel Gauge	1
117	90007-000010	Hexagon Flange Bolt, M6 x 14, White Zinc	3

DRIVETRAIN PARTS DIAGRAM



DRIVETRAIN PARTS LIST

#	Part Number	Description	Qty.
1	09.1.09.03.001	Fork Arm	1
2	05.1.35.007	Shift Fork Sleeve	1
3	09.1.01.03.008	Right Angle Connecting Plate	1
4	G879.4-2000-6-30	Slotted Pin Ø6 x 30	2
5	07.1.35.03.014	Shift Fork	1
6	G 9074.15-1988-M6-12	Screw Lock Washer Assembly M6 x 12	8
7	G9074.17-1988-M6-12	Screw Lock Washer Assembly M6 x 12	12
8	G 70.3-2000-M8-16	Hex Screw M8 x 16	1
9	05.1.33.002	Right Spacer of Pawl	1
10	03.1.35.47.00	Right Pawl Assembly	1
11	08.1.35.02.002	Pawl Spring Assembly Ø1.5 x Ø12 x 35.0	2
12	06.1.53.02.001	Short Pawl Shaft Ø12.8 x 220	1
13	03.1.35.47.01	Left Pawl Assembly	1
14	06.1.35.03.004	Claw Rod Support Plate	1
15	G9074.17-1988-M8-16	Bolt Spring Washer Assembly M8 x 16	5
16	G5783-2000-M8-20	Bolt M8 x 20	3
17	G93-1987-8	Speed Washer Ø8	4
18	10.12.08.1.205	Washer Ø8 x Ø28	3
19	G276-1994-6301-N	Deep Groove Ball Bearing with Stop Groove	2
20	08.1.33.00.006	Spacer Ø18 x Ø14	1
21	03.1.35.31.00	Clutch Assembly	2
22	10.12.16.1.201	Washer Ø16 x Ø30	2
23	08.1.33.04.002	Differential Shaft Ø18 x 286	1
24	G1096-2003-5-5-22	A-Type Flat Key, 5 x 5 x 22	1
25	G 894.1-1986-14	Retaining Ring Ø14	1
26	08.1.35.04.004	Sprocket	1
27	10.12.10.1.206	Washer Ø10 x Ø28	1
28	G6182-2000-M10	Lock Nut M10 (Nylon)	1
29	09.1.33.03.006	Ball Bearing Cover	2
30	G276-1994-6004	Deep Groove Ball Bearing, 6004RS	2

#	Part Number	Description	Qty.
31	08.1.33.04.004	Left Drive Shaft Spacer	1
32	10.27.08.1.002	30 Joint Chain	2
33	08.1.35.04.001	Sprocket 85 x 10	2
34	08.1.35.04.002	Left Drive Shaft	1
35	G896-1986-15	Circlip Ø15	2
36	G1099-1979-5-7.5-19	Woodruff Key 5 x 7.5 x 20	2
37	10.15.14.001	Flange Deep Groove Ball Bearing	2
38	08.1.35.02.004	Drive Shaft Spring	2
39	08.1.33.04.003	Drive Shaft Connecting Sleeve	1
40	09.1.35.03.003	Drive Shaft Support Bracket	1
41	09.1.33.03.005	Support Bracket Mount	1
42	08.1.35.04.003	Drive Shaft(Right)	1
43	08.1.33.04.005	Drive Shaft Spacer(Right)	1
44	G5783-2000-M8-50	Bolt M8 x 50	1
45	G97.1-2002-8	Washer Ø8 x Ø16	1
46	G6177.1-2000-M8	Flange Nut M8	1
47	G6182-2000-M8	Lock Nut M6 (Nylon)	1
48	07.1.53.06.001	Transmission Box	1
49	G97.1-2002-6	Washer Ø6 x Ø12	1
50	G5783-2000-M6-35	Bolt M6 x 35	1
51	06.1.33.03.001	Synchronous Pulley Mounting Plate	1
52	G276-1994-6203-N	Deep Groove Ball Bearing with Stop	2
53	08.1.33.02.001	Hex Axle	1
54	03.1.35.07.00	6 inch Wheel Assembly	1
54-0	10.23.35.1.001	Retaining Ring Ø35	1
54-1	10.25.03.1.104	Rivet Ø3 x 6	4
54-2	09.1.01.02.004	Variable Speed Wheel Cover	2
54-3	G276-1994-6007	Deep Groove Ball Bearing	1
54-4	09.1.33.07.001	Speed Wheel	1
54-5	08.1.17.00.002	Variable Speed Wheel Hub	1

#	Part Number	Description	Qty.
54-6	G 9074.15-1988-M6-12	Screw Spring Washer Assembly M6 x 12	3
55	10.27.08.1.007	36 Joint Chain	1
56	08.1.10.00.032	Sprocket Z10	1
57	08.1.33.04.007	Hex Shaft Spacer	1
58	10.12.13.1.201	Washer Ø13 x Ø24	1
59	05.1.33.003	Friction Wheel Spacer	1
60	G91-2000-2.5-30	Cotter Pin Ø2.5 x 30	1
61	08.1.35.02.005	Friction Wheel Return Spring	1
62	03.1.35.03.00	Synchronous Pulley Assembly	1
62-0	08.1.01.00.011	Driven Synchronous Pulley	1
62-1	08.1.01.00.009	Synchronous Pulley Cover	1
62-2	G819.2-1997-M6-10	Cross Recessed Countersunk Head Screw M6 x 10	6
62-3	08.1.33.04.001	Friction Wheel Axle	1
62-4	G278-82-3203	Ball Bearing Ø17 x Ø40 x 17	1
62-5	08.1.01.01.001	Synchronous Pulley Bushing	1
62-6	G893.1-1986-40	Circlip Ø40	1
62-7	09.1.33.03.001	U-Bracket	1
62-8	G 9074.15-1988-M6-12	Screw Lock Washer Assembly M6 x 12	2
62-9	07.1.33.03.001	Friction Wheel Bracket	1
62-10	G 889.2-2000-M10	Lock Nut M10 (Nylon)	1

AUGER PARTS DIAGRAM

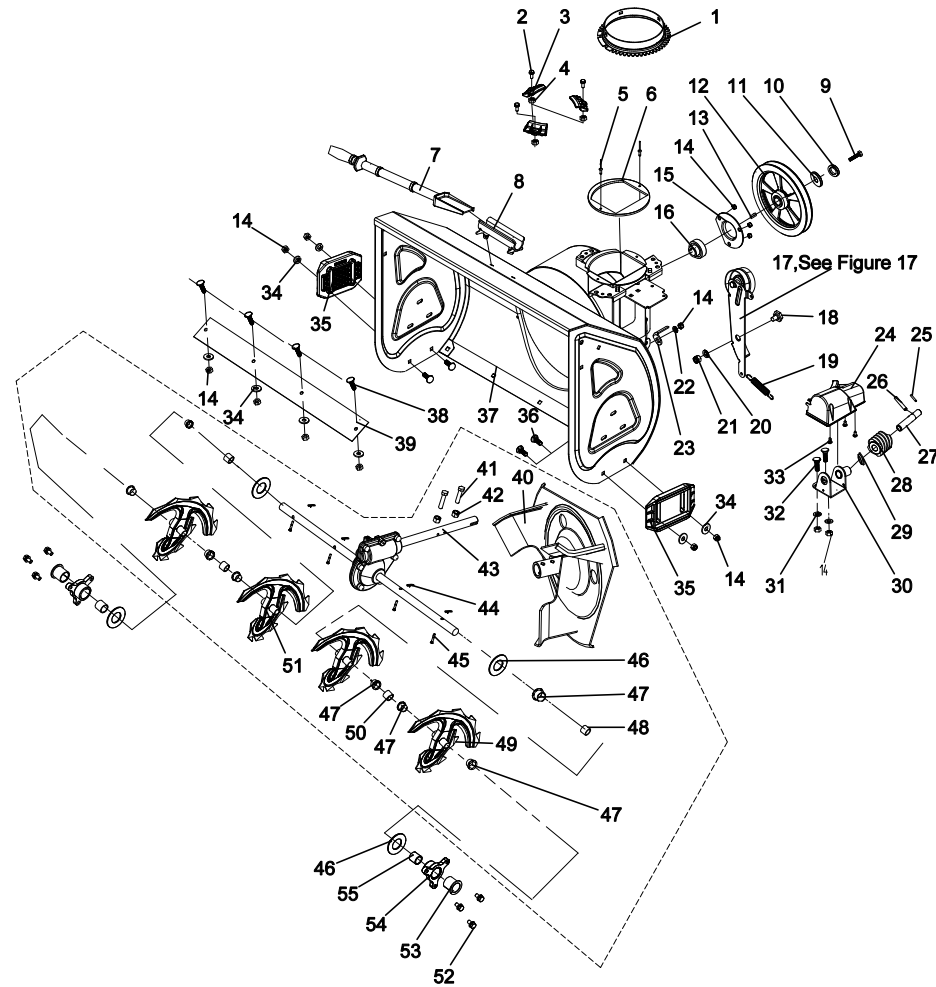
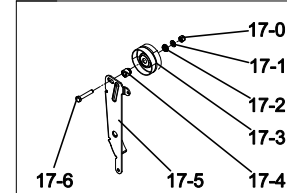


Figure E

Figure 17



AUGER PARTS LIST

#	Part Number	Description	Qty.
1	06.1.35.06.006	Chute Ring Ø150 x 2	1
2	G578-86-M6-16	Flange Bolt M6 x 16	3
3	05.1.21.3300	Chute Rim Press Plate	3
4	G6182-2000-M6	Lock Nut M6 (Nylon)	6
5	10.25.04.2.107	Blind Rivet M4 x 13	2
6	05.1.22.200	Chute Gasket	1
7	03.1.17.18.00	Snow Removal(Shovel) Assembly	1
8	05.1.01.400	Snow Removal(Shovel) Mount	1
9	G5783-2000-M8-20	Bolt M8 x 20	1
10	G93-1987-8	Spring Washer Ø8	1
11	10.12.08.1.205	Washer Ø8 x Ø28	1
12	08.1.07.06.001	Large Pulley Ø199.24 x 24.1	1
13	G1096-2003-6-6-17	B-Type Key 6 x 6 x 17	1
14	G6182-2000-M8	Lock Nut M8 (Nylon)	14
15	09.1.01.03.004	Round Bearing Cover	1
16	G7810-UC204	Round Bearing	1
17	03.1.35.11.00	Tension Pulley Assembly	1
17-0	G6182-2000-M8	Lock Nut M8 (Nylon)	1
17-1	G97.1-2002-8	Washer Ø8 x Ø16	1
17-2	08.1.01.00.012	Bushing Ø18 x 6	1
17-3	03.1.17.12.00	Large Tension Wheel Assembly Ø70 x 38	1
17-4	08.1.01.00.017	Bushing Ø18 x 17	1
17-5	09.1.17.03.005	Tension Pulley Plate	1
17-6	G5783-2000-M8-45	Bolt M8 x 45	1
18	10.01.10.1.204	Screw M10 x 13	1
19	14.1.35.02.001	Spring 15 x 94.5	1
20	G97.1-2002-10	Washer Ø1 x Ø2	1
21	G6182-2000-M10	Lock Nut M10 (Nylon)	1
22	G97.1-2002-8	Washer Ø8 x Ø16	1

#	Part Number	Description	Qty.
23	06.1.01.03.005	Belt Guide	1
24	05.1.35.013	Worm Gear Cover	1
25	G879.1-2000-4-14	Split Pin Ø4 x 14	1
26	G879.1-2000-4-30	Split Pin Ø4 x 30	1
27	08.1.10.01.006	Worm Shaft	1
28	08.1.10.01.007	Chute Rotation Worm	1
29	05.1.07.300	Worm Mount Bushing	1
30	07.1.10.03.008	Worm Mount	1
31	G97.1-2002-8	Washer Ø8 x Ø16	2
32	G12-1988-M8-18	Square Neck Screw M8 x 18	2
33	G845-1985-ST4.8-14/F	Pan Head Self Tapping Screw ST4.8 x 14	3
34	G96.1-2002-8	Washer Ø8 x Ø22	9
35	05.1.19.007	Skid Shoes	2
36	G12-1988-M8-25	Square Neck Screw M8 x 25	4
37	07.1.08.06.006	Auger Housing(No Battery Rack)	1
38	G12-1988-M8-18	Square Neck Screw M8 x 18	4
39	09.1.18.06.006	Snow Shovel Plate 24 Inch	1
40	09.1.22.06.001	Impeller	1
41	10.07.06.1.213	Screw M6 x 38	2
42	G6182-2000-M6	Lock Nut M6 (Nylon)	2
43	03.1.07.02.06	Worm Gear Box Assembly 24 Inch	1
44	10.24.00.9.201	Cotter Pin	4
45	10.24.05.9.201	Clevis Pin Ø5.5	4
46	10.12.19.1.203	Flat Washer	4
47	05.1.01.1000	Drive Shaft Sleeve Ø23 x 15.5	8
48	05.1.09.200	Output Shaft Sleeve Ø26 x 10.5	6
49	07.1.10.06.001	Left Auger	2
50	05.1.10.600	Output Shaft Sleeve Ø26 x 50.5	2

#	Part Number	Description	Qty.
51	07.1.10.06.002	Right Auger	2
52	G9074.17-1988-M8-16	Hex Bolt Spring Washer Assembly M8 x 16	6
53	05.1.15.500	Auger Bearing (Nylon)	2
54	08.1.15.00.002	Auger Mount	2
55	08.1.22.00.002	Auger Bushing Ø19 x Ø25 x 29	2

CHUTE PARTS DIAGRAM

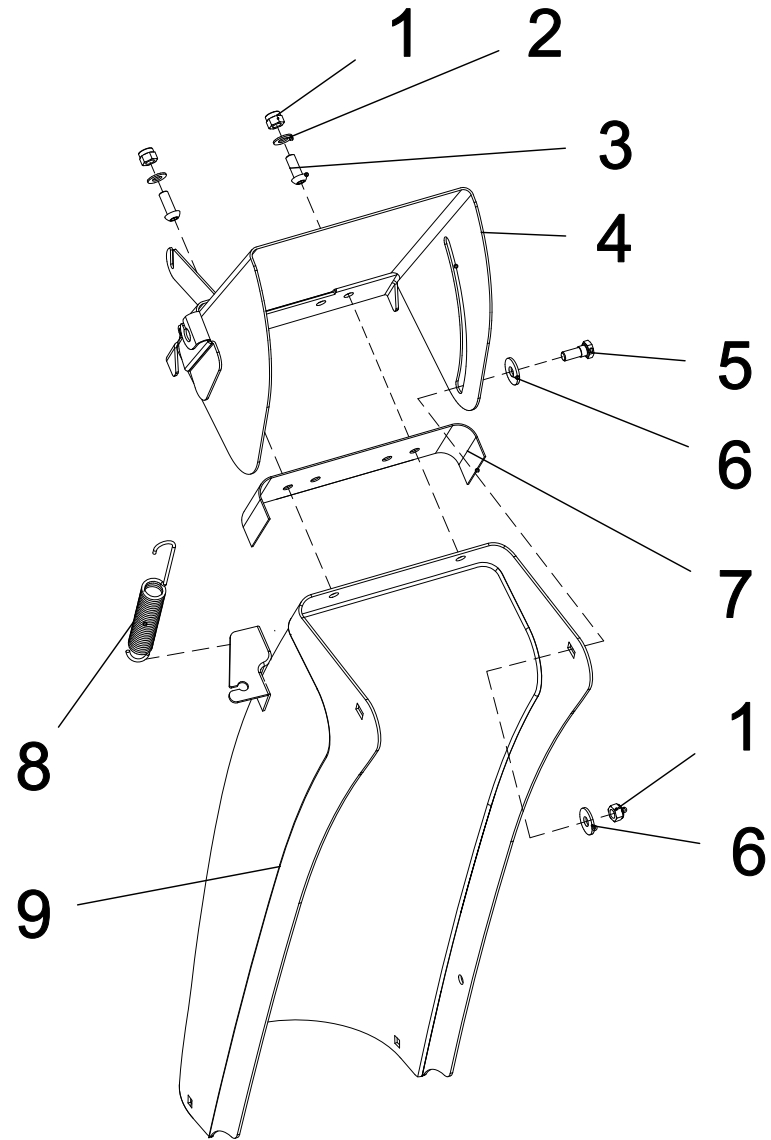


Figure F

CHUTE PARTS LIST

#	Part Number	Description	Qty.
1	G6182-2000-M6	Lock Nut M6 (Nylon)	3
2	G97.1-2002-6	Washer Ø6 x Ø12	2
3	G70.2-2000-M6-13	Screw M6 x 13	2
4	07.1.35.06.005	Chute Flap(Cool Gray)	1
5	10.07.06.1.201	Bolt M6 x 15	1
6	G96.2-6	Washer Ø6 x Ø18	2
7	05.1.35.008	Chute Flap Rubber Seal	1
8	14.1.22.02.002	Chute Flap Spring Ø16 x 135	1
9	07.1.35.06.029	Main Chute	1

HANDLE ASSEMBLY PARTS DIAGRAM

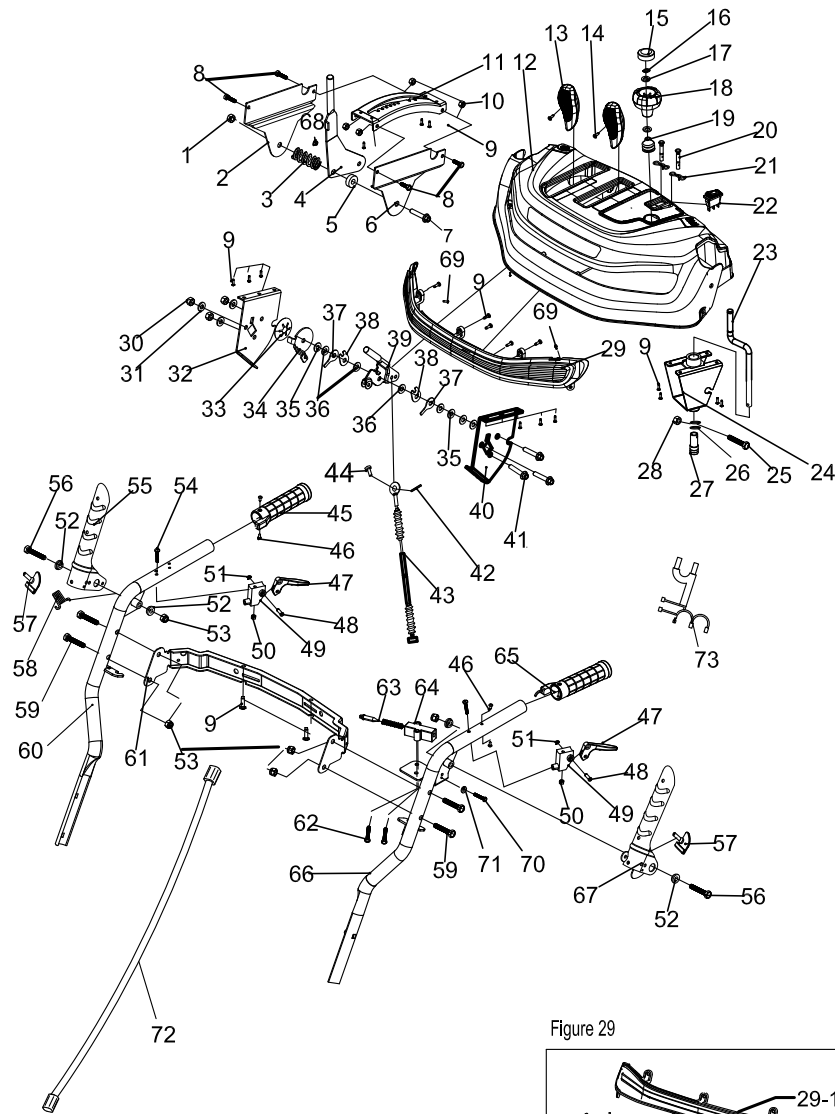
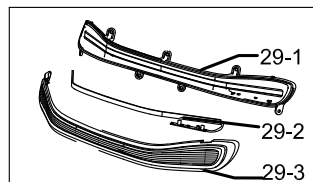


Figure G

Figure 29



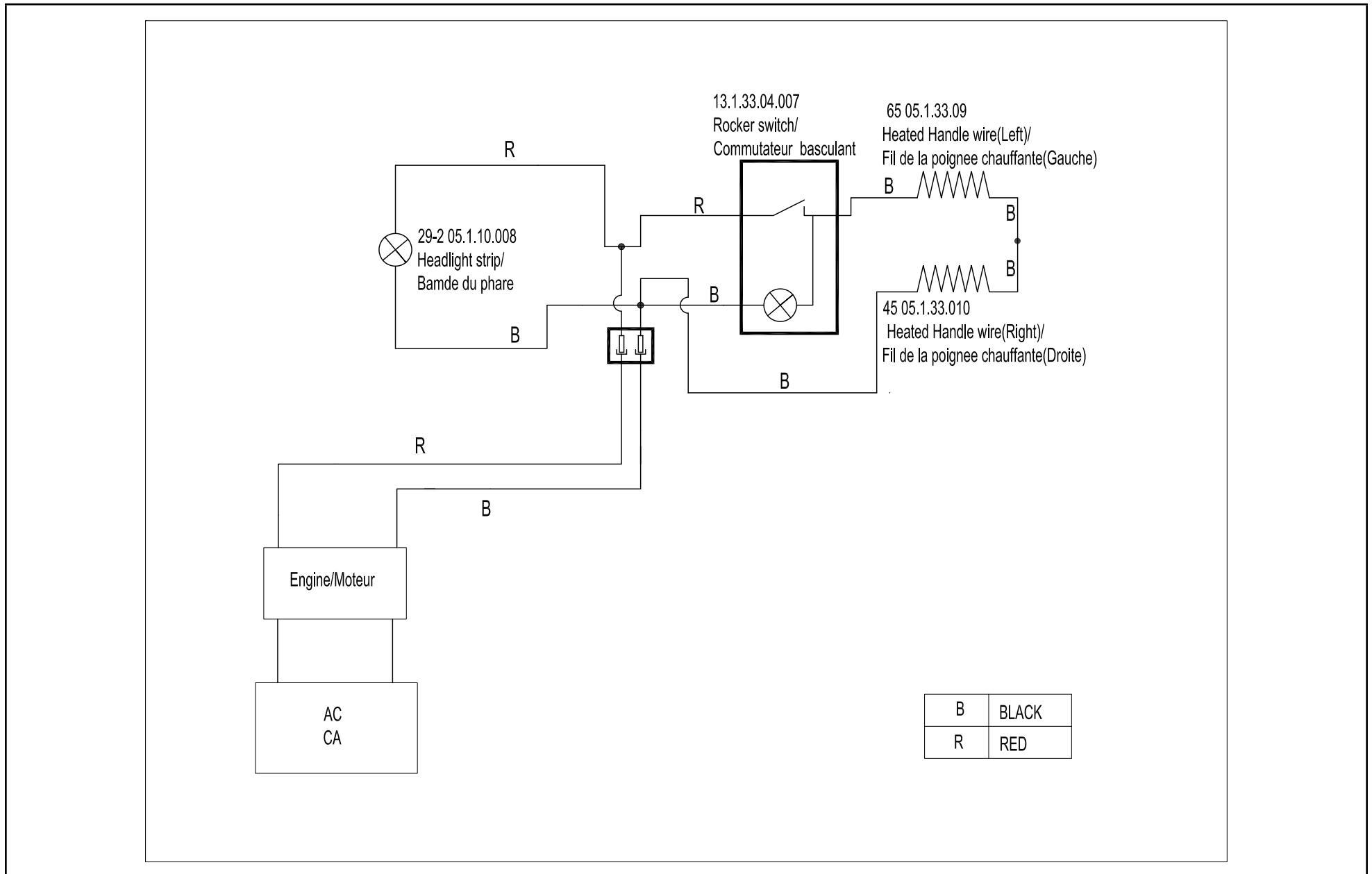
HANDLE ASSEMBLY PARTS LIST

#	Part Number	Description	Qty.
1	G6182-2000-M10	Lock Nut M10 (Nylon)	1
2	09.1.10.03.017	Gear Bracket (Right)	1
3	14.1.09.02.001	Spring,Handle Adjustment Ø2.5 x 28	1
4	07.1.17.03.007	Speed Adjustment Lever	1
5	G96.1-2002-10	Washer Ø10 x Ø28 x 2	1
6	09.1.10.03.015	Gear Bracket (Left)	1
7	G5783-2000-M10-45	Bolt M10 x 45	1
8	G5783-2000-M16-12	Bolt M6 x 12	4
9	G845-1985-ST4.8-14/F	Self Tapping Screw ST4.8 x 14-F, with Cross Recessed Pan Head	21
10	G6182-2000-M6	Lock Nut M6 (Nylon)	4
11	09.1.10.03.014	Front Adjustment Plate	1
12	05.1.10.911	Control Panel	1
13	05.1.33.019	Gear Handle	2
14	G845-1985-ST4.2-16/F	Pan Head Self Tapping Screw ST4.2 x 14-F	2
15	05.1.35.003	Handlebar Stopper	1
16	10.23.10.1.001	Shaft Retaining Ring Ø10	1
17	10.12.10.9.001	Washer Ø10 x Ø20 x 1	2
18	05.1.35.004	Chute Rotation Knob	1
19	12.1.35.00.015	Rubber Sleeve Ø31 x 30	1
20	10.24.06.9.202	Shear Pin Ø6.1 x 37	2
21	10.24.00.9.201	B Clip Ø2 x 30	2
22	13.1.33.04.007	Rocker Switch	2
23	08.1.22.03.003	Rocker	1
24	07.1.10.03.007	Rocker Seat	1
25	G5783-2000-M4-20	Bolt M4 x 20	1
26	GB/T 3452.1—2005-11.2 x 2.4	O Ring, Ø11.2 x 2.4	1
27	08.1.10.01.016	Sleeve Ø16 x 42	2
28	G6182-2000-M4	Lock Nut M4 (Nylon)	1

#	Part Number	Description	Qty.
29	03.1.35.35.08	Light Panel	1
29-1	05.1.33.017	Headlight Base	1
29-2	05.1.10.008	Headlight Strip	1
29-3	05.1.33.018	Headlight Cover	1
30	G6182-2000-M8	Lock Nut M8 (Nylon)	3
31	G97.1-2002-8	Washer Ø8 x Ø16	3
32	09.1.10.03.031	Discharge Chute Bracket (Right)	1
33	06.1.07.03.002	Bowl-shaped Clamp	1
34	06.1.07.03.004	Damping Plate 45	1
35	10.12.08.1.203	Washer, Ø8 x Ø22	4
36	10.12.08.3.201	Curved Spacer	3
37	09.1.07.03.009	Gourd-shaped Clamp	2
38	06.1.07.03.003	U-Shaped Clamp	2
39	07.1.17.03.008	Discharge Chute Extension	1
40	09.1.10.03.030	Discharge Chute Bracket (Left)	1
41	G5787-86-M8-45	Bolt M8 x 45	3
42	G91-2000-2.5-30	Split Pin Ø2.5 x 30	1
43	11.1.10.002	Chute Deflector Cable	1
44	08.1.07.01.001	Chute Deflector Cable Pin	1
45	05.1.33.010	Heated Handle Wire (Right)	1
46	10.07.03.9.201	Pan Head Square Screw M3.5 x 10	4
47	05.1.35.016	Steering Handle	2
48	08.1.35.02.001	Handle Support Pin	2
49	05.1.35.015	Handle Support	2
50	G6170-2000-M5	Nut M5	2
51	G896-1986-3.5	Split Washer Ø3.5 x 1.3	2
52	08.1.01.00.019	Handle Washer Ø16 x 6	4
53	G6182-2000-M8	Lock Nut M8 (Nylon)	6
54	G818-2000-M5-35	Cross Recessed Pan Head Screw M5 x 35	2
55	06.1.10.06.001	Right Trigger	1

#	Part Number	Description	Qty.
56	G5783-2000-M8-55	Bolt M8 x 55	2
57	05.1.01.500	Trigger Bumper	2
58	14.1.10.02.003	Handle Spring, Ø2.5 x 30	1
59	G578-86-M8-50	Flange Bolt M8 x 50	4
60	07.1.10.06.008	Upper Handle (Right)	1
61	09.1.10.03.032	Light Panel Mount	1
62	G9074.17-1988-M6-18	Bolt and Washer combination M6 x 20	2
63	11.1.10.004	Trigger Lock Cable	1
64	08.1.10.00.027	Trigger Lock Seat	1
65	05.1.33.009	Heated Handle Wire (Left)	1
66	07.1.10.06.009	Upper Handle (Left)	1
67	07.1.10.06.003	Left Trigger	1
68	12.1.10.00.002	Shift Plate Rubber Plug	1
69	G845-1985-ST4.2-14/F	Self Tapping Screw ST4.2 x 14	2
70	G5783-2000-M6-18	Bolt M6-18	1
71	G93-1987-6	Spring Washer Ø6	1
72	13.1.35.02.003	LED Light Wire Harness 1	1
73	13.1.35.02.004	LED Light Wire Harness 2	1

WIRING DIAGRAM



B	BLACK
R	RED