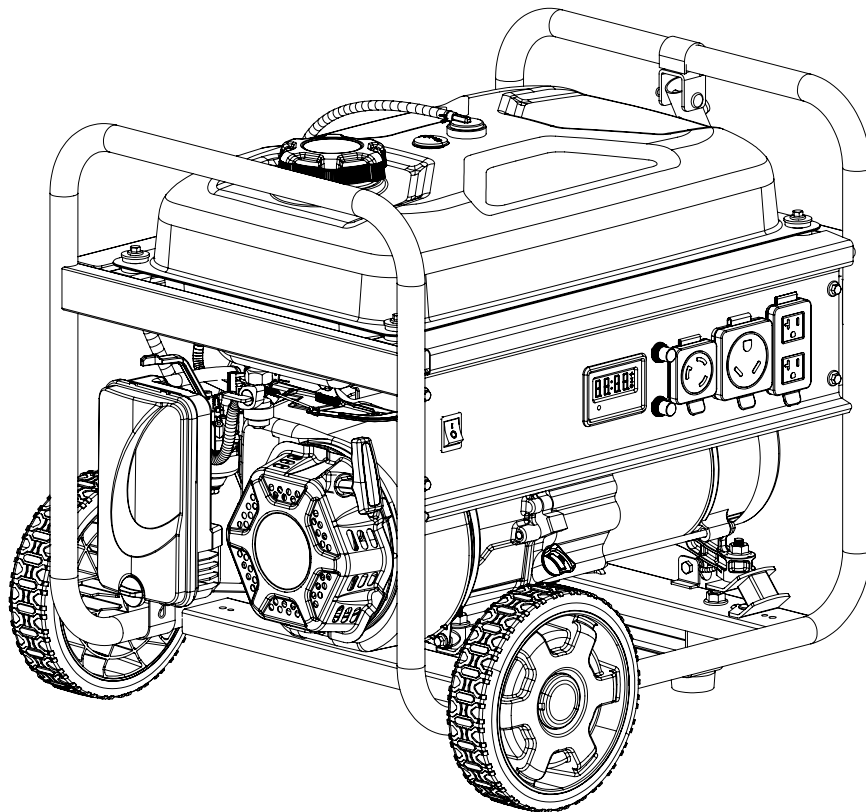


Champion Power Equipment, Inc., Santa Fe Springs, CA USA

MODEL #201267



PARTS INFORMATION

3550W PORTABLE GENERATOR

SERIAL NUMBER RANGE: ALL



To order replacement parts please visit:
shop.championpowerequipment.com
or call **1-877-338-0999**.

TABLE OF CONTENTS

Generator Parts Diagram	3
Generator Parts List	4
Engine Parts Diagram	5
Engine Parts List	6
Cylinder Head Parts Diagram	8
Cylinder Head Parts List	9
Carburetor Parts Diagram	10
Carburetor Parts List	11
Alternator Parts Diagram	12
Alternator Parts List	13
Fuel Tank Parts Diagram	14
Fuel Tank Parts List	15
Control Panel Parts Diagram	16
Control Panel Parts List	17
Frame Assembly Parts Diagram	18
Frame Assembly Parts List	19
Wiring Diagram	20

GENERATOR PARTS DIAGRAM

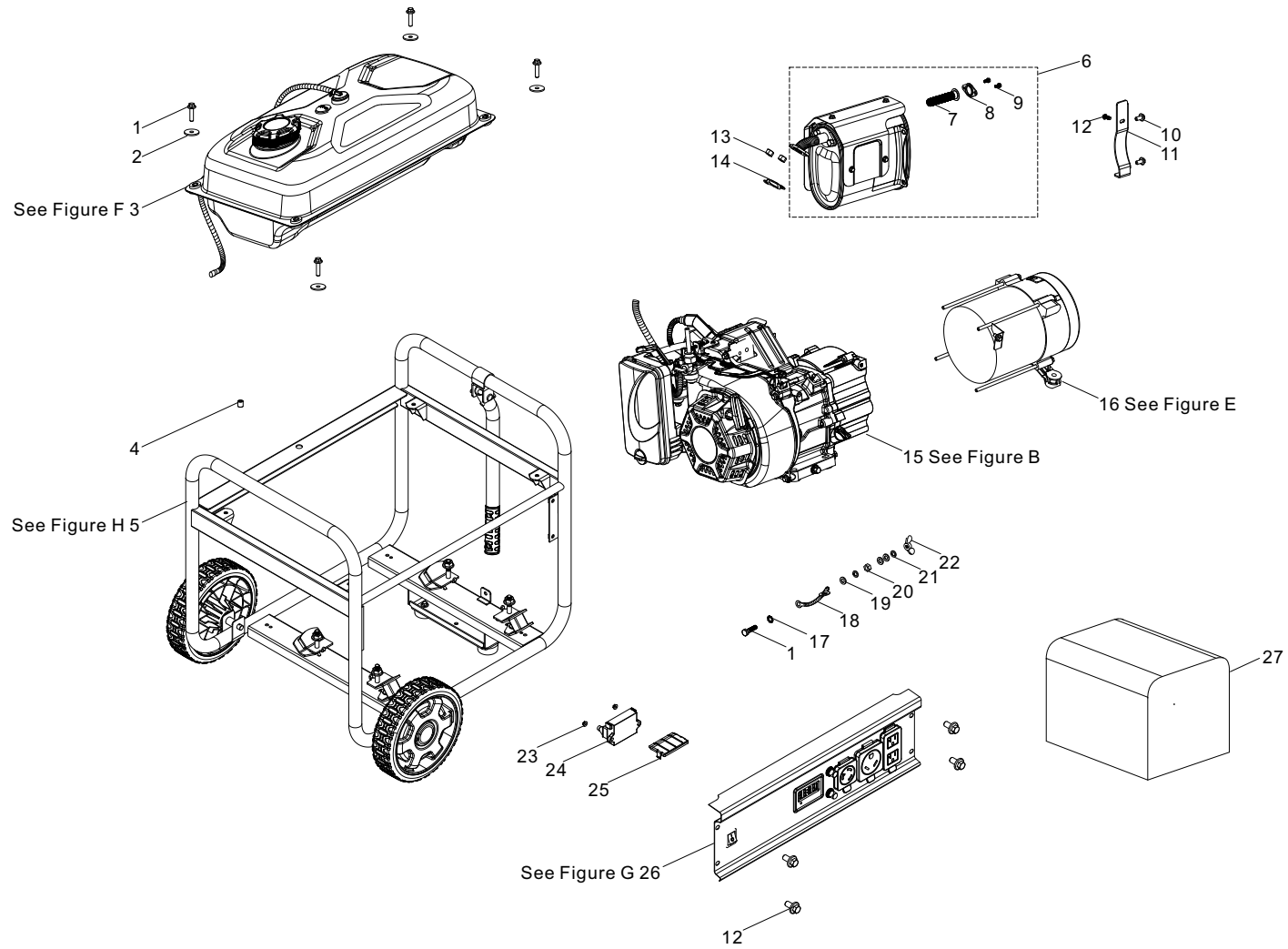


Figure A

GENERATOR PARTS LIST

#	Part Number	Description	Qty.
1	90001-000027	Hexagon Flange Bolt, M6 × 25	5
2	90408-000008	Flat Washer, Ø6	4
3	96104-Y16620-0004	Fuel Tank Assembly - See Figure F	1
4	90698-000001	Protective Rubber Sleeve	1
5	96103-Y51100-0005	Frame Assembly - See Figure H	1
6	18100-000014	Muffler Assembly	1
7	18250-000004	Spark Arrestor	1
8	18255-000002	Decorative Cover, Spark Arrestor	1
9	90001-000002	Hexagon Flange Bolt, M5 × 10	2
10	90001-000041	Hexagon Flange Bolt, M6 × 16	2
11	18030-000002	Muffler Bracket	1
12	90001-000019	Hexagon Flange Bolt, M6 × 12	5
13	90303-000006	Flange Nut, M8	2
14	18001-000007	Exhaust Gasket	1
15	96100-225P0000-01	Engine - See Figure B	1
16	96114-Y31300-0005	Alternator - See Figure E	1
17	90415-000002	Lock Washer, Toothed	1
18	30009-000002	Grounding Wire	1
19	90408-000006	Flat Washer	3
20	90303-000003	Hexagon Nut, M6	1
21	90403-000003	Spring Washer	2
22	90312-000001	Wing Nut, M6	1
23	90305-000001	Hexagon Flange Nut, M4	2
24	35720-000001	CO Module	1
25	30351-000002	Cover, CO Module	1
26	35610-000030	Control Panel Assembly - See Figure G	1
27	94026-000003	Generator Cover	1

ENGINE PARTS DIAGRAM

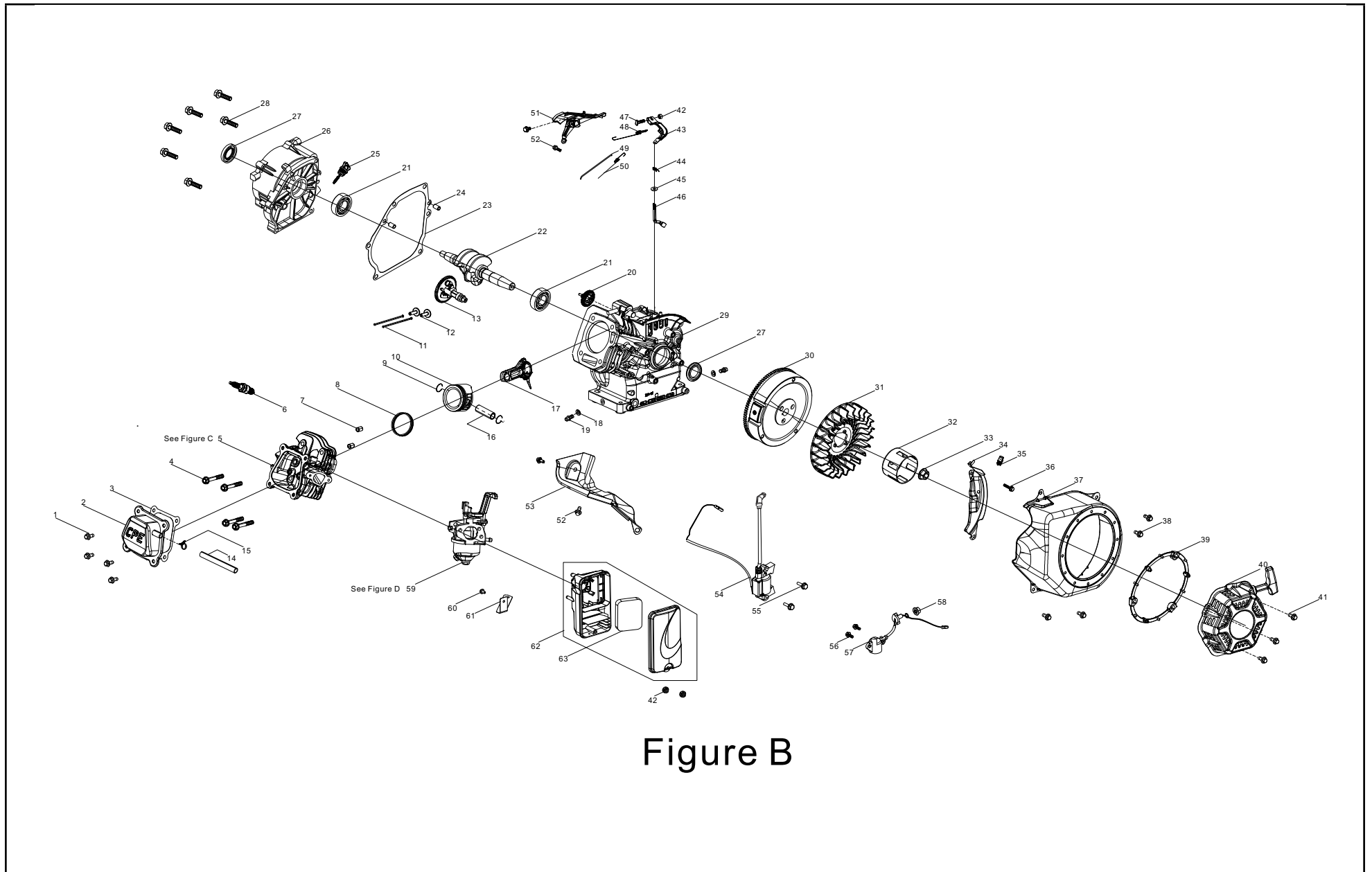


Figure B

ENGINE PARTS LIST

#	Part Number	Description	Qty.
1	90001-000018	Hexagon Flange Bolt, M6 X 12	4
2	12410-000001	Cylinder Head Cover	1
3	12004-000002	Cylinder Head Cover Gasket	1
4	12003-000002	Cylinder Head Bolt, M8 X 60	4
5	96101-Z120410-0005	Cylinder Head Subassembly - See Figure C	1
6	30010-000001	Spark Plug, F6RTC	1
7	90502-000007	Pin, Ø11 X 14	2
8	13200-000004	Piston Ring Assembly	1
9	13122-000005	Piston Pin Clip	2
10	13111-000016	Piston	1
11	14071-000004	Valve Lifter	2
12	14081-000002	Valve Tappet	2
13	14200-000021	Camshaft Assembly	1
14	17004-000019	Tube, Breather, Ø8 x Ø12 x 90	1
15	90685-000008	Clamp, Ø10.5 X 1	1
16	13121-000011	Piston Pin, Ø13 X 45.9	1
17	13010-000012	Connecting Rod	1
18	90408-000019	Flat Washer, Ø10 X Ø15.8 X 1.5	2
19	11007-000002	Drain Plug Bolt, M10 X 1.25 X 15	2
20	16400-000007	Governor Gear Assembly	1
21	90547-000006	Bearing, 6205	2
22	13300-000025	Crankshaft Assembly	1
23	11001-000008	Crankcase Gasket	1
24	90502-000005	Pin, Ø9 X 12	2
25	15010-000016	Oil Dipstick Subassembly	1
26	11411-000018	Crankcase Cover	1
27	90682-000010	Oil Seal, Ø25 x Ø41.25 x 6	2
28	90001-000048	Hexagon Flange Bolt, M8 X 32	6
29	11310-000026	Crankcase Subassembly	1
30	13510-000014	Flywheel Subassembly	1

#	Part Number	Description	Qty.
31	19352-000012	Cooling Fan, Engine	1
32	28002-000010	Starter Pulley	1
33	13501-000001	Flywheel Nut, M14 X 1.5	1
34	19340-000003	Lower Shield	1
35	90740-000002	Clamp 1	1
36	90001-000024	Hexagon Flange Bolt, M6 X 20	1
37	28110-000003	Shroud	1
38	90001-000019	Hexagon Flange Bolt, M6 X 12	4
39	28261-000001	Retainer Ring, Recoil Starter	1
40	28200-000005	Recoil Starter Assembly	1
41	90251-000002	Bolt & Washer Assembly, M6 X 18	3
42	90305-000008	Hexagon Flange Nut, M6	3
43	16070-000001	Governor Arm	1
44	90501-000005	Pin	1
45	90408-000020	Washer, Ø6.2 x Ø15 x 0.6	1
46	16061-000001	Governor Arm	1
47	16072-000002	Governor Support Bolt, M6 X 21	1
48	16063-000002	Spring, Governor	1
49	16062-000001	Governor Rod	1
50	16012-000002	Throttle Valve Returning Spring	1
51	16520-000018	Throttle Control Assembly	1
52	90001-000017	Hexagon Flange Bolt, M6 X 10	4
53	19304-000001	Cylinder Body Shroud	1
54	30400-000015	Ignition Coil	1
55	90001-000026	Hexagon Flange Bolt, M6 X 25	2
56	90001-000020	Hexagon Flange Bolt, M6 X 14	2
57	37060-000003	Engine oil Sensor, W/O Nut	1
58	90305-000015	Hexagon Flange Nut, M10	1
59	96105-Z16100-0003	Carburetor Assembly - See Figure D	
60	90001-000019	Hexagon Flange Bolt, M6 X 12	1

#	Part Number	Description	Qty.
61	17003-000003	Air Cleaner Support	1
62	17100-000011	Air Cleaner	1
63	17151-000009	Element, Air Cleaner	1

CYLINDER HEAD PARTS DIAGRAM

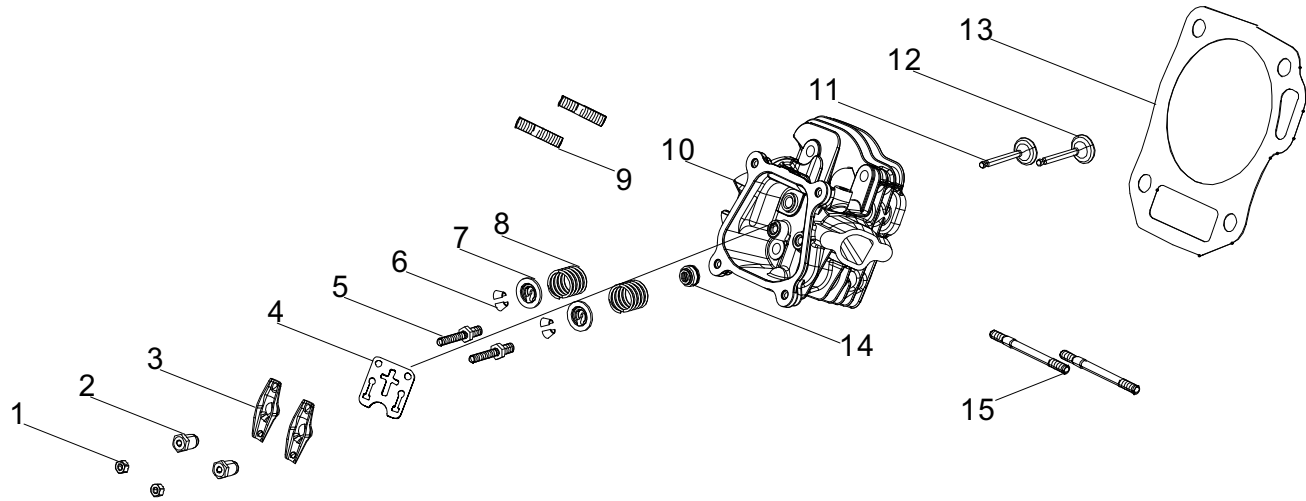


Figure C

CYLINDER HEAD PARTS LIST

#	Part Number	Description	Qty.
1	14312-000001	Valve Lock Nut	2
2	14314-000001	Valve Adjusting Nut	2
3	14311-000001	Valve Rocker Arm	2
4	14090-000001	Lifter Stopper Plate Subassembly	1
5	14313-000001	Valve Adjusting Bolt	2
6	12109-000004	Valve Lock Clamp	4
7	12112-000008	Valve Spring Retainer	2
8	12103-000001	Valve Spring	2
9	90203-000001	Stud Bolt, M8 X 34	2
10	12140-000019	Cylinder Head	1
11	12121-000013	Exhaust Valve	1
12	12111-000010	Inlet Valve	1
13	12131-000015	Cylinder Head Gasket	1
14	12101-000006	Seal Guide	1
15	90204-000001	Stud Bolt, M6 X 96	2

CARBURETOR PARTS DIAGRAM

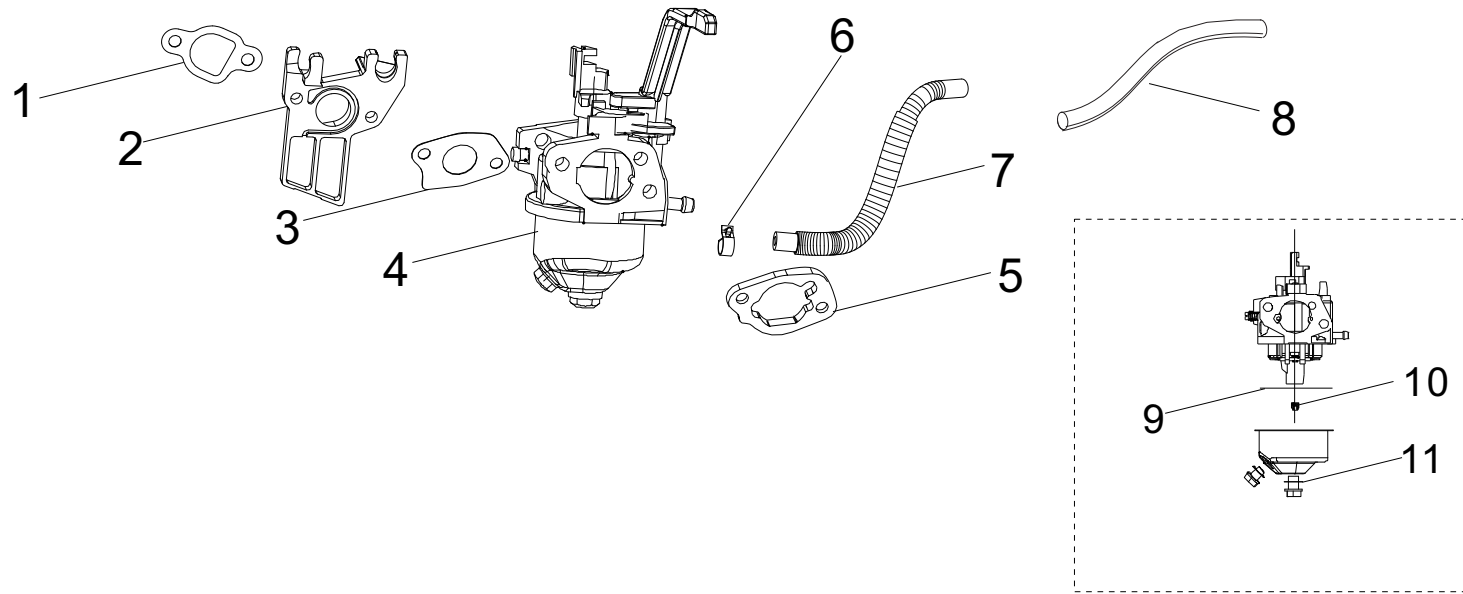


Figure D

CARBURETOR PARTS LIST

#	Part Number	Description	Qty.
1	16002-000002	Carburetor Insulator Gasket	1
2	16003-000001	Carburetor Insulator Plate	1
3	16001-000001	Carburetor Gasket	1
4	16100-000030	Carburetor	1
5	17001-000002	Air Cleaner Gasket	1
6	90685-000012	Clamp, Ø8 x 0.6 x 7	1
7	90686-000026	Fuel Tube, Ø4.5 x Ø8.5 x 140	1
8	30431-000001	Rubber Sleeve, Ø9 x Ø11 x 60	1
9	16112-000001	Seal Ring, Float	1
10	16161-000027	Main Jet (77#), Standard	1
	16161-000025	Main Jet (75#), Altitude 3000-6000 Feet	/
	16161-000023	Main Jet (73#), Altitude 6000-8000 Feet	/
11	90681-000004	Seal Ring	1

ALTERNATOR PARTS DIAGRAM

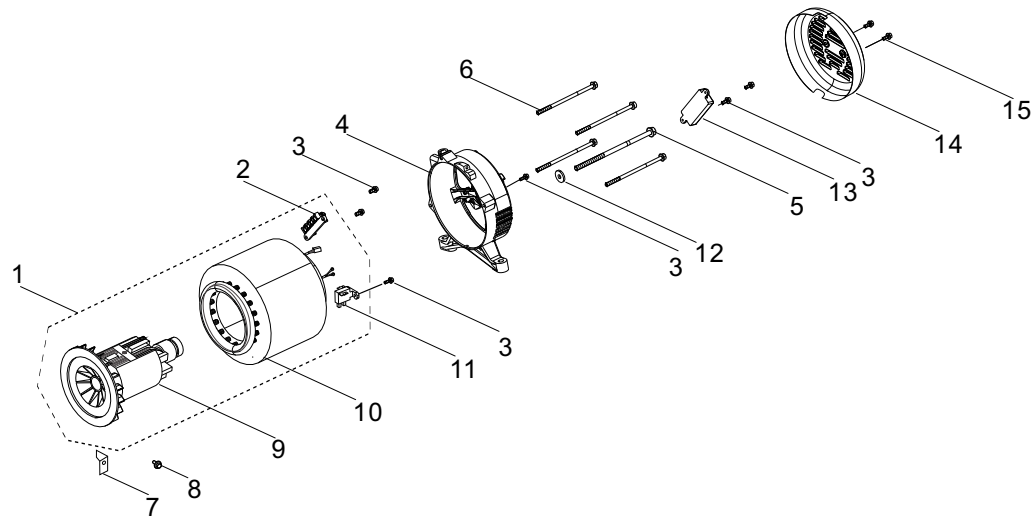


Figure E

ALTERNATOR PARTS LIST

#	Part Number	Description	Qty.
1	31300-000020	Alternator Assembly, AL, D160 × 130	1
2	31303-000001	Terminal Block	1
3	90001-000007	Hexagon Flange Bolt, M5 X 16	6
4	30021-000004	End Housing	1
5	30049-000005	Rotor Bolt, M8 X 230	1
6	30048-000005	Stator Bolt, M6 X 174	4
7	30023-000001	Stopper, Motor Right Cover	1
8	90001-000019	Hexagon Flange Bolt, M6 X 12	1
9	31330-000010	Rotor, AL, D160 × 130	1
10	31310-000011	Stator, AL, D160 × 130	1
11	31320-000001	Carbon Brush Subassembly	1
12	90408-000009	Flat Washer	1
13	30060-000009	Rectifier	1
14	30022-000004	Cover, End Housing	1
15	90001-000004	Hexagon Flange Bolt, M5 × 12	2

FUEL TANK PARTS DIAGRAM

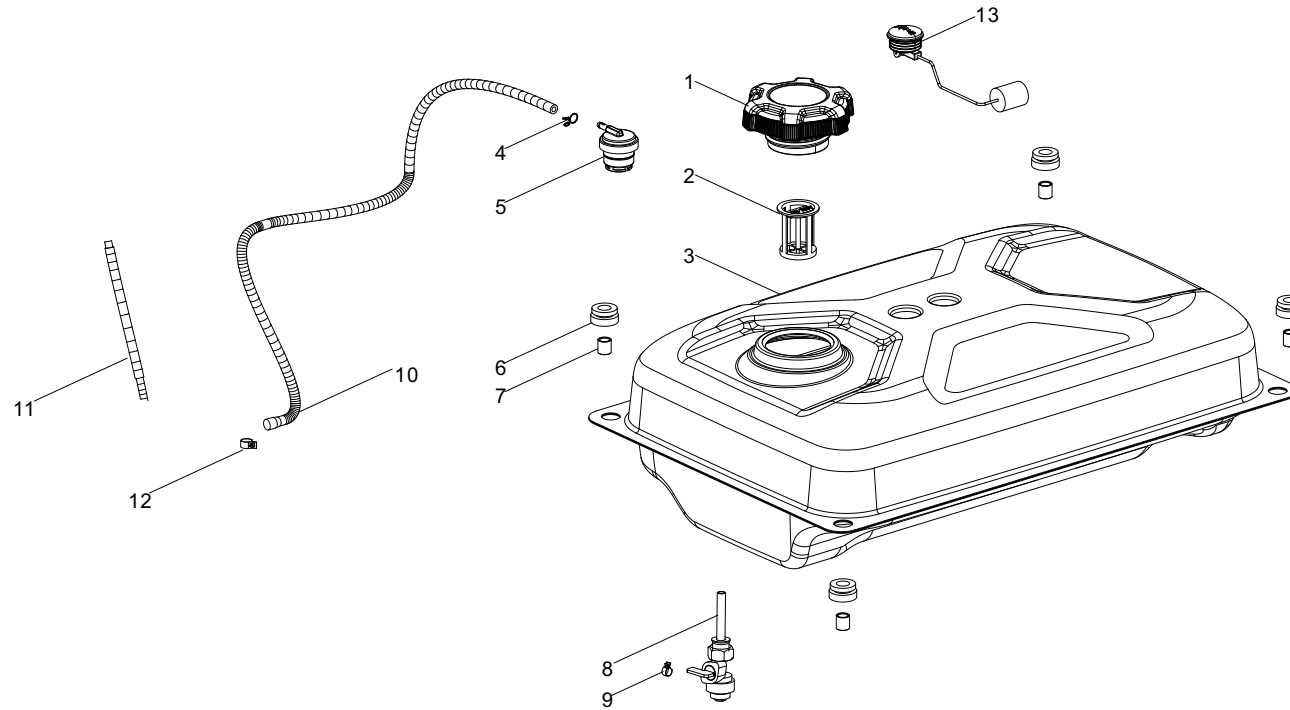


Figure F

FUEL TANK PARTS LIST

#	Part Number	Description	Qty.
1	16730-000010	Fuel Tank Cap	1
2	16652-000009	Fuel Filter	1
3	16620-000011	Fuel Tank	1
4	90740-000005	Clamp, Ø9	1
5	15150-000003	One Way Valve	1
6	16601-000001	Vibration Mount, Fuel Tank	4
7	90683-000001	Bushing	4
8	16750-000003	Fuel Valve Assembly	1
9	90685-000012	Clamp, Ø8 × 0.6 × 7	1
10	16804-000026	Tube, Fuel Tank Vent	1
11	30431-000013	Rubber Sleeve, Ø9.5 x Ø11 x 150	1
12	90685-000010	Clamp, Ø10.5 × Ø8 × 0.8	1
13	37200-000009	Fuel Gauge	1

CONTROL PANEL PARTS DIAGRAM

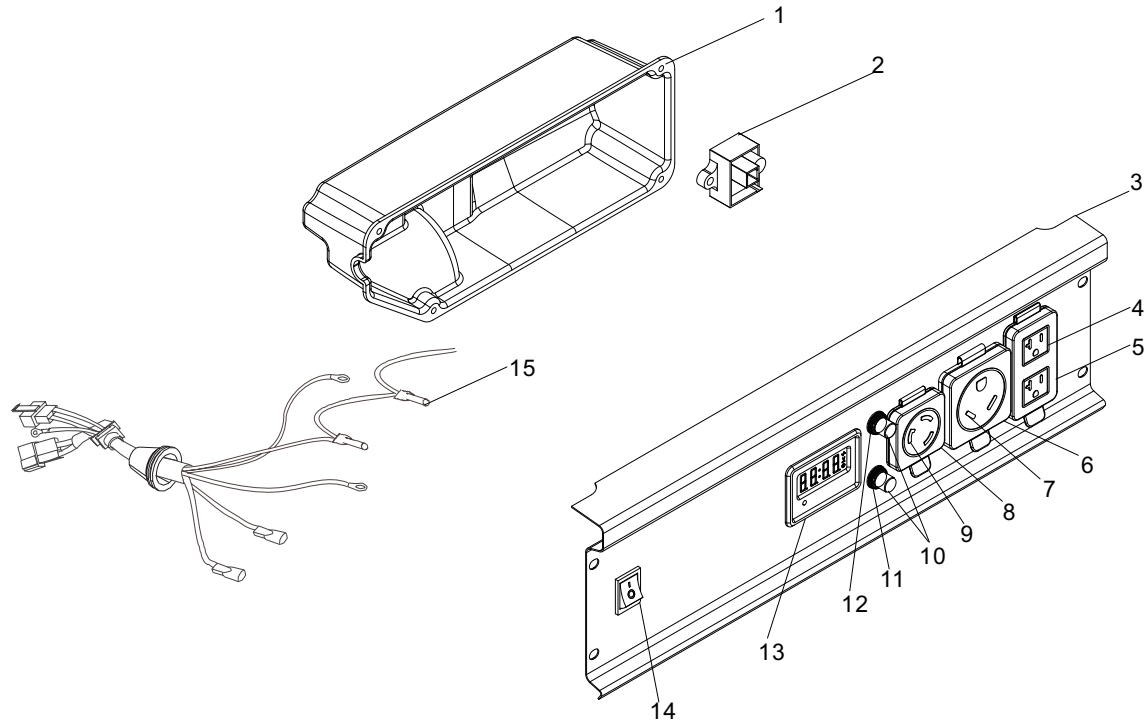


Figure G

CONTROL PANEL PARTS LIST

#	Part Number	Description	Qty.
1	35601-000005	Housing, Control Panel	1
2	30008-000002	Control Module, OV0201	1
3	35650-000036	Control Panel	1
4	35654-000013	Receptacle Cover, 5-20R, Square Type	1
5	35614-000017	5-20R Receptacle, 20A, 125V	1
6	35654-000011	Receptacle Cover, TT-30R	1
7	35614-000007	TT-30R Receptacle, 30A, 125V	1
8	35654-000009	Receptacle Cover,L5-30R	1
9	35614-000005	L5-30R Receptacle,30A,125V	1
10	35654-000005	Cover, Push Botton	2
11	31234-000007	Circuit Breaker, Push Button, 30A, 125/250V	1
12	31234-000003	20 Amp Circuit Breaker, Push Button, 125/250V	1
13	35632-000006	Intelliguage, INT1AOF	1
14	35160-000002	Switch Assembly	1
15	35660-000043	Wiring Harness, Control Panel	1

FRAME ASSEMBLY PARTS DIAGRAM

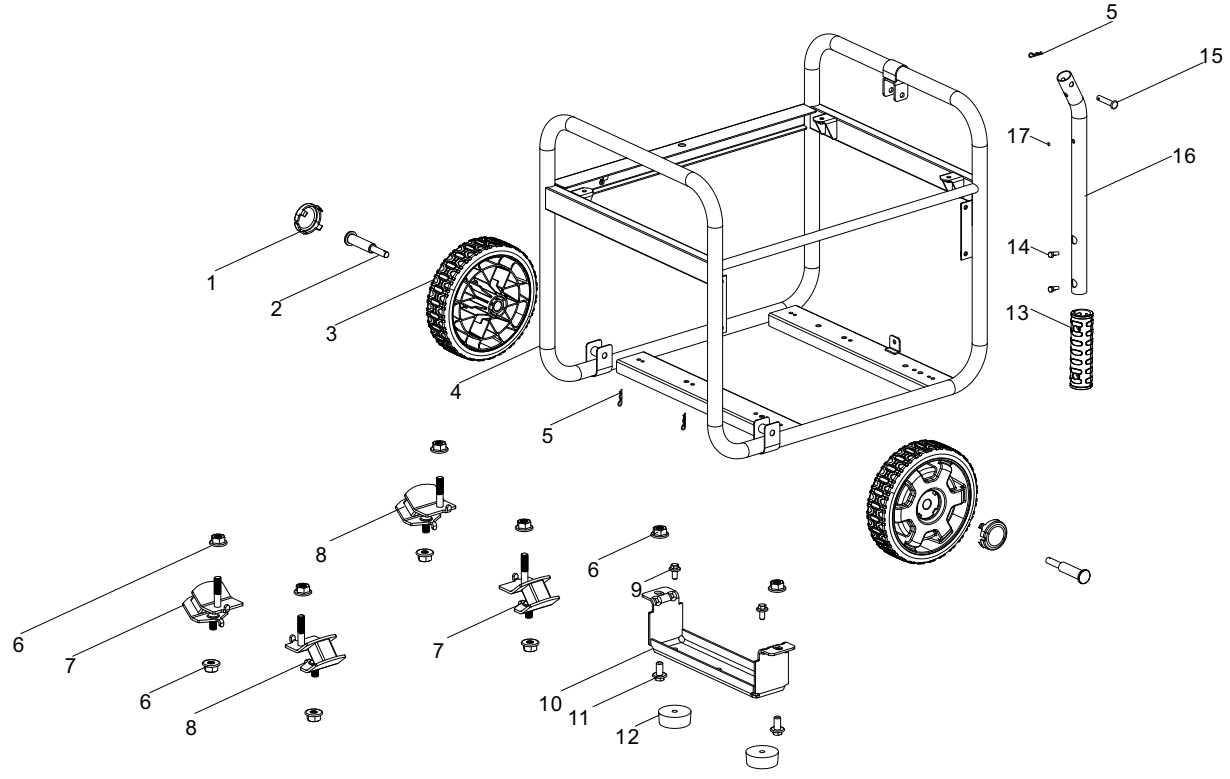


Figure H

FRAME ASSEMBLY PARTS LIST

#	Part Number	Description	Qty.
1	44001-000003	Cover, Hub Decorated	2
2	44020-000010	Roll Pin, Ø16 X 95	2
3	44110-000002	Wheel, 8 in	2
4	51100-000051	Frame Assembly	1
5	90583-000001	R-Clip, Ø2 x 38, Black Zinc	3
6	90305-000011	Hexagon Flange Nut, M8	10
7	51005-000002	Vibration Mount 1, Frame	2
8	51011-000001	Vibration Mount 2, Frame	2
9	90001-000019	Hexagon Flange Bolt, M6 X 12	2
10	51016-000006	Support Leg	1
11	90001-000041	Hexagon Flange Bolt, M6 X 16	2
12	51014-000015	Support Leg	2
13	54101-000001	Handle Sheath	1
14	90103-000007	Screw, M4 X 16	2
15	90504-000003	Pin Shaft, Ø8 X 40	1
16	54110-000002	Handle, Ø25 X 1.2 X 440	1
17	90722-000007	Plug, Handle	1

WIRING DIAGRAM

