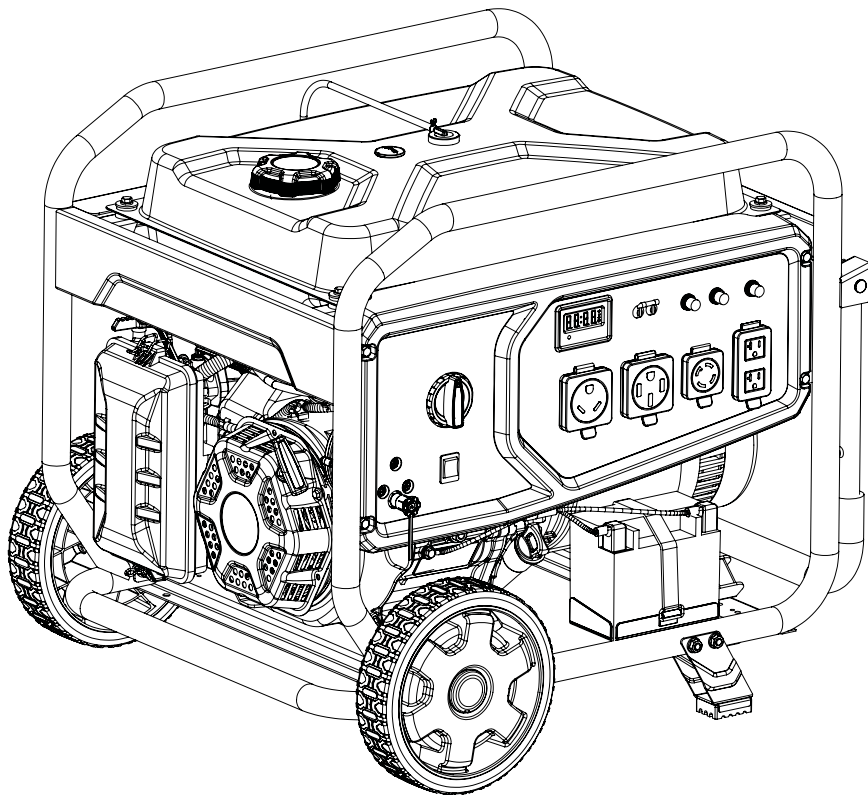


Cabela's[®]

MODEL #201266



PARTS INFORMATION

9000W DUAL FUEL ELECTRIC START GENERATOR

SERIAL NUMBER RANGE: TODOS



To order replacement parts please visit:
shop.championpowerequipment.com
or call **1-877-338-0999**.

TABLE OF CONTENTS

Generator Parts Diagram	3
Generator Parts List	4
Engine Parts Diagram	5
Engine Parts List	6
Cylinder Head Parts Diagram	8
Cylinder Head Parts List	9
Carburetor Parts Diagram	10
Carburetor Parts List	11
Alternator Parts Diagram	12
Alternator Parts List	13
Fuel Tank Parts Diagram	14
Fuel Tank Parts List	15
Control Panel Parts Diagram	16
Control Panel Parts List	17
Frame Assembly Parts Diagram	18
Frame Assembly Parts List	19
Wiring Diagram	20

GENERATOR PARTS DIAGRAM

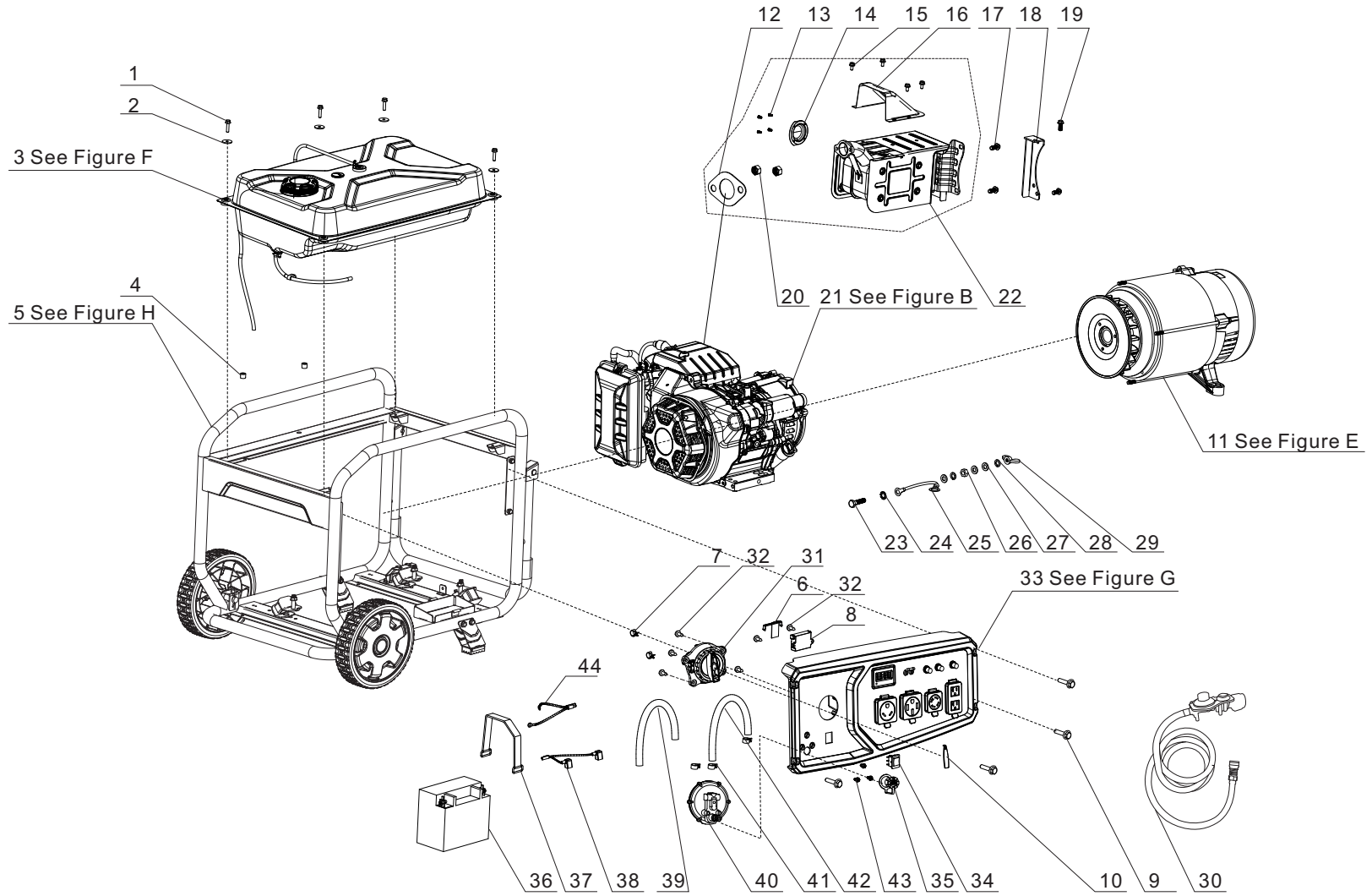


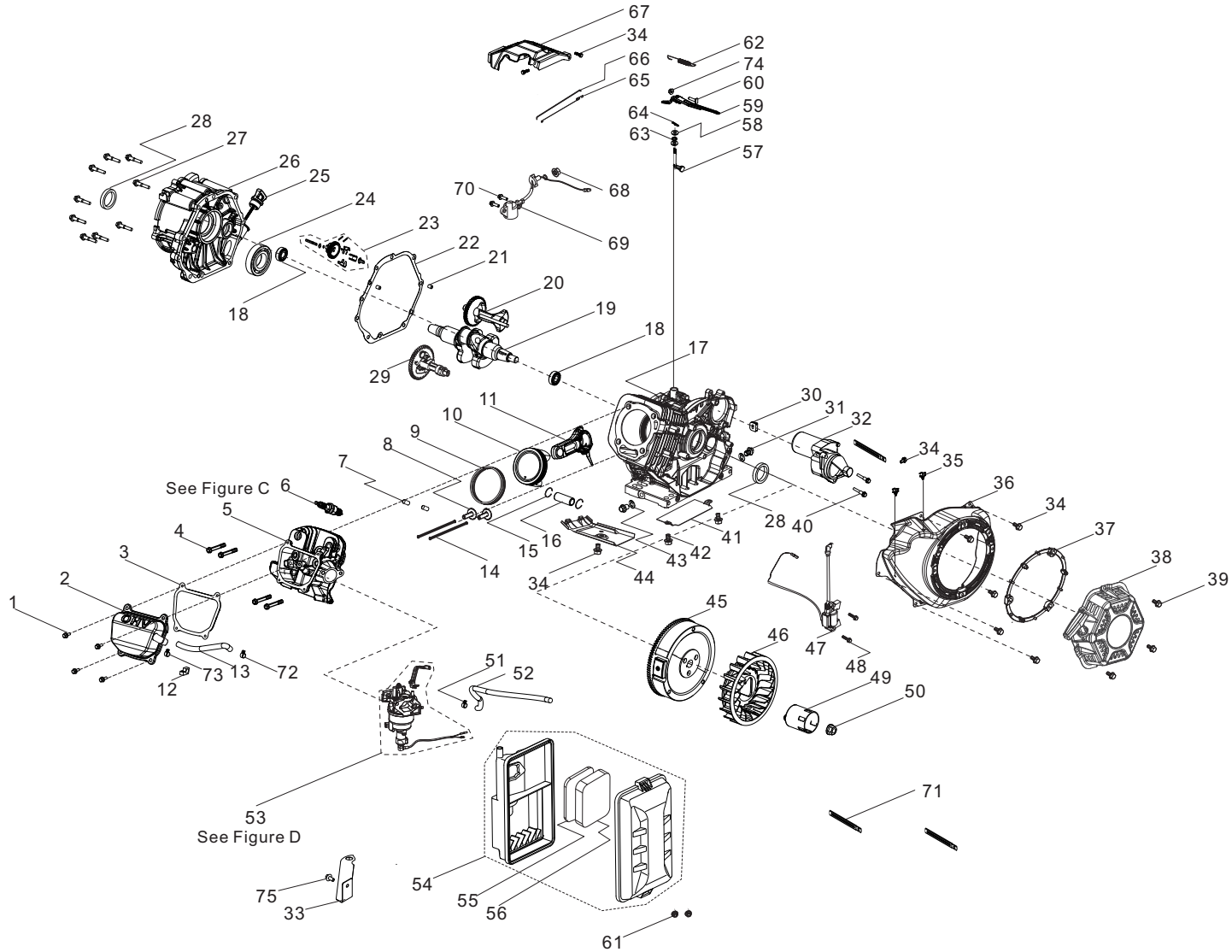
Figure A

GENERATOR PARTS LIST

#	Part Number	Description	Qty.
1	90007-000024	Hexagon Flange Bolt, M6 X 25	4
2	90408-000008	Flat Washer, Ø6	4
3	96104-Y16620-0002	Fuel Tank Assembly - See Figure F	1
4	90698-000002	Protective Rubber Sleeve	2
5	96103-Y51100-0003	Frame Assembly - See Figure H	1
6	30351-000003	Cover, CO Module	1
7	90685-000002	Clamp, Ø9 x 8 x 0.8	3
8	35720-000001	CO Module	1
9	90007-000012	Hexagon Flange Bolt, M6 X 16	4
10	82007-000004	Decorative Cover	1
11	96114-Y31300-0003	Alternator - See Figure E	1
12	18101-000005	Muffler Gasket	1
13	90139-000001	Hexagon Flange Bolt, M5 X 10	4
14	18250-000005	Spark Arrestor	1
15	90007-000008	Hexagon Flange Bolt, M6 X 12	4
16	80019-000002	Air Guide Hood, Muffler	1
17	90001-000041	Hexagon Flange Bolt, M6 X 16	2
18	18030-000007	Muffler Bracket	1
19	90001-000040	Hexagon Flange Bolt, M8 X 16	2
20	90303-000004	Hexagon Nut, M8	2
21	96100-460DNV00-001	Engine - See Figure B	1
22	18100-000015	Muffler Assembly	1
23	90001-000027	Hexagon Flange Bolt, M6 X 25	1
24	90415-000002	Lock Washer, Toothed	1
25	30009-000002	Grounding Wire	1
26	90303-000003	Hexagon Nut, M6	1

#	Part Number	Description	Qty.
27	90408-000006	Flat Washer	3
28	90403-000003	Spring Washer	2
29	90312-000001	Wing Nut, M6	1
30	77300-000003	LPG Hose with Regulator, 6.5 Ft	1
31	16750-000012	Fuel Valve Assembly	1
32	90124-000003	Self Tapping Screw, PT5 X 16	6
33	35610-000145	Control Panel Assembly - See Figure G	1
34	35160-000010	Switch Assembly	1
35	16287-000001	Dust Cap	1
36	31110-000004	Battery	1
37	31115-000002	Battery Strap	1
38	31112-000015	DC Wire Harness, Battery	1
39	30431-000014	Rubber Sleeve, Ø19 x Ø20 x 110	1
40	77100-000006	LPG Regulator	1
41	90748-000002	Clamp, Ø10 x 16	3
42	90729-000005	LPG Hose, Ø9.5 x Ø16.8 x 250	1
43	90134-000001	Bolt, Cross Hexagon Pan Head, M5 X 12	3
44	31114-000007	DC Wire Harness, Engine	1

ENGINE PARTS DIAGRAM



ENGINE PARTS LIST

#	Part Number	Description	Qty.
1	90001-000018	Hexagon Flange Bolt, M6 X 12	4
2	12410-000002	Cylinder Head Cover Subassembly	1
3	12004-000006	Cylinder Head Cover Gasket	1
4	12003-000006	Cylinder Head Bolt, M10 X 85 X 1.25	4
5	96003-Z12140-0039	Cylinder Head, See Figure C	1
6	30010-000001	Spark Plug, F6RTC	1
7	90502-000008	Pin, Ø12 x 20	2
8	14081-000003	Valve Tappet	2
9	13200-000002	Piston Ring Assembly	1
10	13111-000013	Piston	1
11	13010-000009	Connecting Rod	1
12	90804-000001	Stop Block	1
13	17004-000008	Tube, Breather	1
14	14070-000001	Valve Rod	2
15	13122-000002	Piston Pin Clip	2
16	13121-000004	Piston Pin	1
17	11310-000020	Crankcase Subassembly	1
18	90548-000002	Bearing, 6202, Ø15 X Ø32	2
19	13300-000037	Crankshaft Assembly	1
20	13401-000001	Balancing Shaft	1
21	90502-000002	Pin, Ø8 x 12	2
22	11001-000002	Crankcase Gasket	1
23	16400-000005	Governor Gear Assembly	1
24	90547-000014	Bearing, 6208, Ø40 X Ø80	1
25	15010-000010	Oil Dipstick Subassembly	1
26	11411-000002	Crankcase Cover	1
27	90001-000051	Hexagon Flange Bolt, M8 X 40	9
28	90682-000005	Oil Seal, Ø52 x Ø40 x 9	2
29	14200-000001	Camshaft Assembly	1
30	28101-000001	Rubber Plug	1

#	Part Number	Description	Qty.
31	11007-000004	Drain Plug Bolt, M12 x 18	2
32	09100-000002	Starter Motor	1
33	17003-000009	Air Cleaner Support	1
34	90001-000019	Hexagon Flange Bolt, M6 X 12	9
35	90685-000017	Clip	2
36	28110-000025	Cover, Engine Fan	1
37	28261-000003	Retainer Ring, Recoil Starter	1
38	28200-000025	Recoil Starter Assembly	1
39	90001-000025	Hexagon Flange Bolt, M6 X 20	3
40	90001-000049	Hexagon Flange Bolt, M8 X 35	2
41	19306-000001	Crankcase Air Deflector	1
42	90001-000017	Hexagon Flange Bolt, M6 X 10	2
43	90412-000003	Flat Washer, Ø12 X Ø21 X 2	2
44	19304-000004	Cylinder Body Shroud	1
45	13510-000026	Flywheel Subassembly	1
46	19352-000007	Cooling Fan, Engine	1
47	30400-000004	Ignition Coil	1
48	90001-000028	Hexagon Flange Bolt, M6 x 28	2
49	28002-000003	Starter Pulley	1
50	13501-000002	Flywheel Nut, M16 X 1.5	1
51	90748-000002	Clamp, Ø10 X 16	1
52	90729-000010	Vent Hose, Ø9.5 x Ø16.8 x 460	1
53	96003-Z16100-0026	Carburetor Assembly, See Figure D	1
54	17100-000007	Air Cleaner	1
55	17151-000001	Element, Inside Air Cleaner	1
56	17151-000002	Element, Outside Air Cleaner	1
57	16061-000003	Governor Arm	1
58	90412-000004	Washer, Ø8.4 X Ø19.5 X 0.8	2
59	16070-000003	Governor Support Subassembly, White Zinc	1
60	16072-000002	Governor Support Bolt, M6 X 21	1

#	Part Number	Description	Qty.
61	90305-000006	Hexagon Flange Nut, M6	2
62	16063-000006	Spring, Governor	1
63	90682-000007	Oil Seal, Ø8 X Ø14 X 4	1
64	90501-000005	Pin	1
65	16012-000003	Throttle Valve Returning Spring	1
66	16062-000005	Governor Rod	1
67	16520-000007	Air Guide, Engine Fan	1
68	90305-000015	Hexagon Flange Nut, M10	1
69	37060-000006	Engine oil Sensor, W/O Nut	1
70	90001-000022	Hexagon Flange Bolt, M6 X 16	2
71	90684-000001	Clip, Ø6 x 10.6 X 130	3
72	90685-000014	Clip, Ø16 x 1.6	1
73	90685-000016	Clip, Ø17 x 1.4	1
74	90305-000007	Hexagon Flange Nut, M6	1
75	90001-000019	Hexagon Flange Bolt, M6 X 12	1

CYLINDER HEAD PARTS DIAGRAM

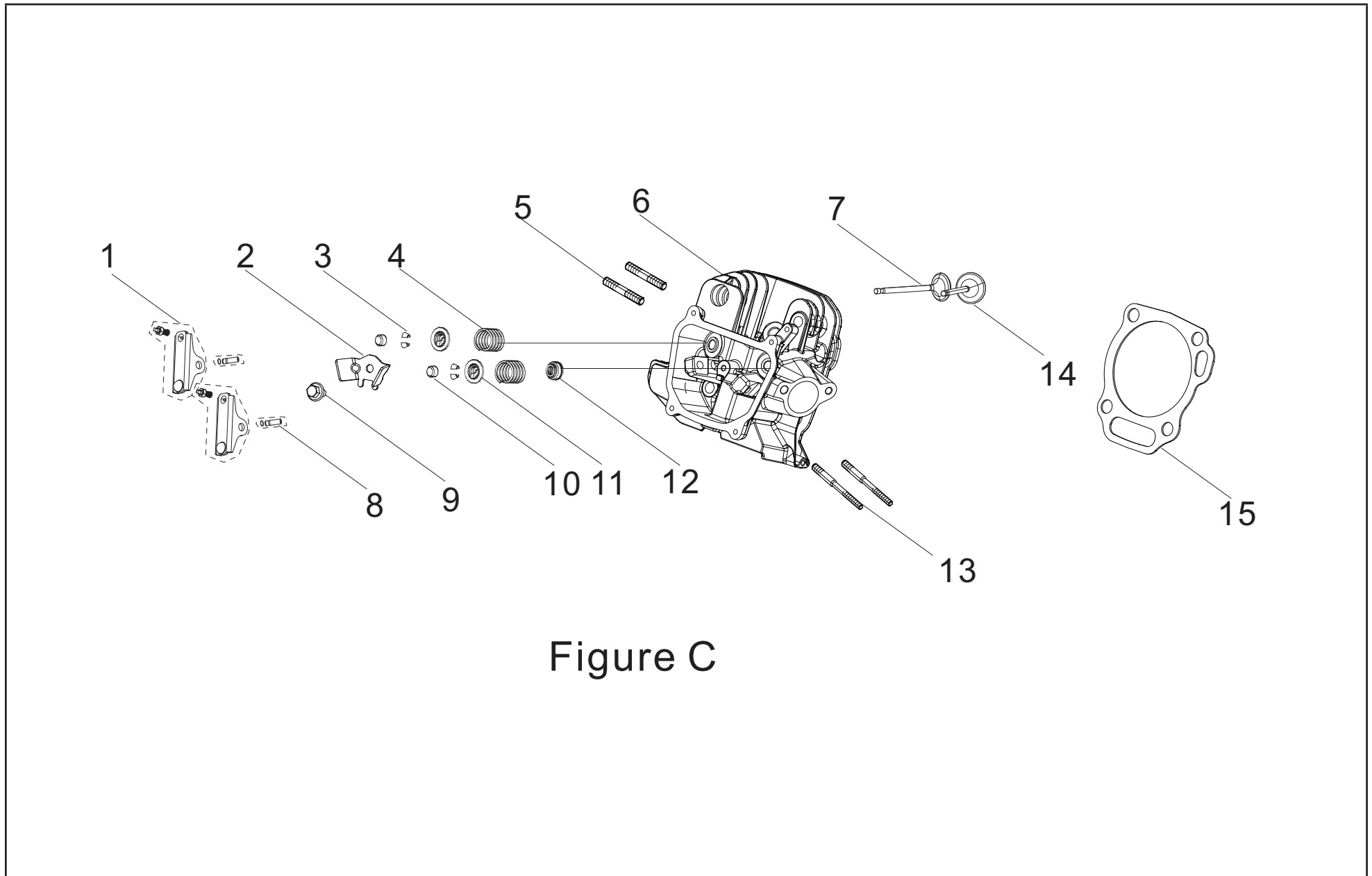


Figure C

CYLINDER HEAD PARTS LIST

#	Part Number	Description	Qty.
1	14310-000001	Rocker Valve Subassembly	2
2	12419-000002	Pin Plate, Cylinder Head Cover, 1.6	1
3	12109-000002	Valve Lock Clamp, Ø5.5 x Ø9	4
4	12103-000009	Valve Spring	2
5	90203-000002	Stud, M8 X 34	2
6	12140-000015	Cylinder Head	1
7	12121-000010	Exhaust Valve	1
8	14318-000005	Rocker Arm Shaft Assembly	2
9	90001-000019	Hexagon Flange Bolt, M6 X 12	1
10	12104-000001	Valve Adjusting Cap, Ø5.6 X Ø8.5 X 5.2	2
11	12112-000003	Valve Spring Set	2
12	12101-000001	Seal Guide	1
13	90204-000011	Stud, M6/M8 X 110	2
14	12111-000001	Intake Valve	1
15	12131-000012	Cylinder Head Gasket	1

CARBURETOR PARTS DIAGRAM

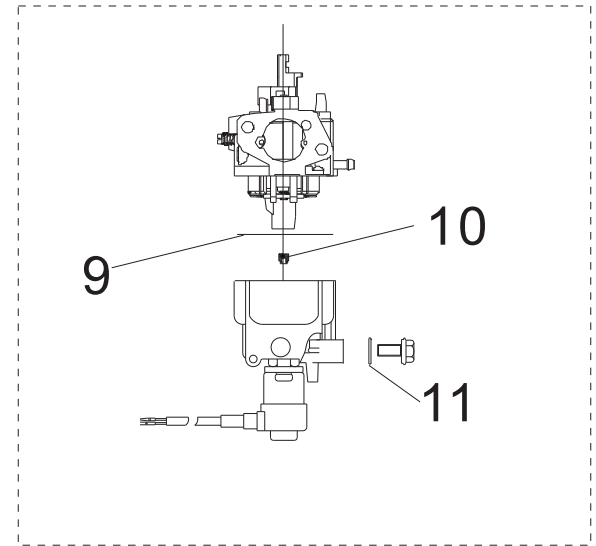
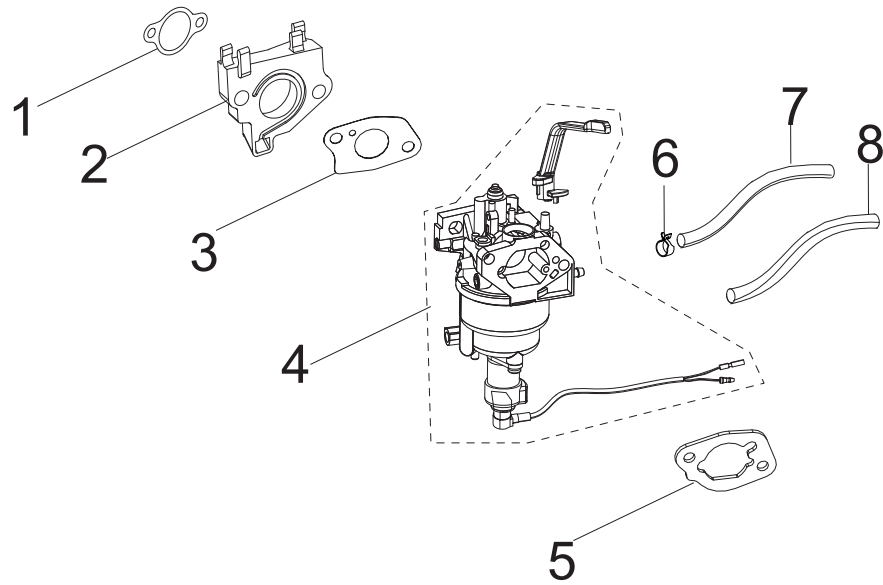


Figure D

CARBURETOR PARTS LIST

#	Part Number	Description	Qty.
1	17002-000002	Gasket, Inlet	1
2	16003-000003	Carburetor Insulator Plate	1
3	16001-000003	Carburetor Gasket	1
4	16100-000048	Carburetor	1
5	17001-000006	Air Cleaner Gasket	1
6	90685-000002	Clamp, Ø9 x 0.8 x 8	1
7	90686-000042	Fuel Tube, Ø4 x Ø10 x 490	1
8	30431-000019	Rubber Sleeve, Ø13 x Ø11.5 x 180	1
9	16112-000003	Seal Ring, Float	1
10	16161-000006	Main Jet (H128×0.39), Standard	1
	16161-000054	Main Jet (H128×0.41), Altitude 3000-6000 Feet	/
	16161-000009	Main Jet (H128×0.43), Altitude 6000-8000 Feet	/
11	90681-000004	Seal Ring	1

ALTERNATOR PARTS DIAGRAM

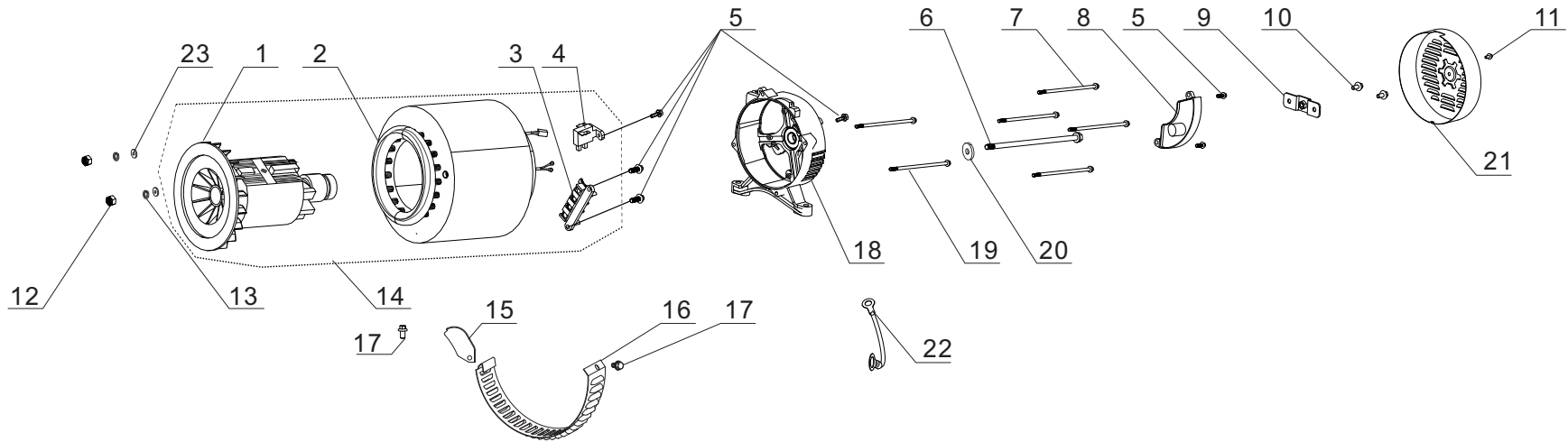


Figure E

ALTERNATOR PARTS LIST

#	Part Number	Description	Qty.
1	31330-000007	Rotor, AL, D204 x 158	1
2	31310-000015	Stator, AL, D204 x 158	1
3	31303-000002	Terminal Block	1
4	31320-000005	Carbon Brush Subassembly	1
5	90001-000007	Hexagon Flange Bolt, M5 x 16	6
6	30049-000004	Bolt M10 x 285, Rotor	1
7	30048-000004	Bolt M6 x 199, Stator	4
8	30060-000018	Rectifier	1
9	51124-000010	Mounting Bracket,	1
10	90007-000003	Hexagon Flange Bolt, M5 x 12	2
11	90001-000019	Hexagon Flange Bolt, M6 x 12	1
12	90303-000001	Flange Nut, M5	2
13	90403-000002	Flat Washer	2
14	31300-000024	Alternator Assembly, AL, D204 x 158	1
15	30023-000005	Stopper, Motor Right Cover	1
16	30024-000003	Shroud, Motor	1
17	90001-000001	Hexagon Flange Bolt, M5 x 10	2
18	30021-000005	End Housing	1
19	31316-000001	Stator Bolt, M5 x 235	2
20	90408-000011	Flat Washer	1
21	30022-000008	Cover, End Housing	1
22	30009-000014	Grounding Wire	1
23	90408-000003	Flat Washer, Ø5	2

FUEL TANK PARTS DIAGRAM

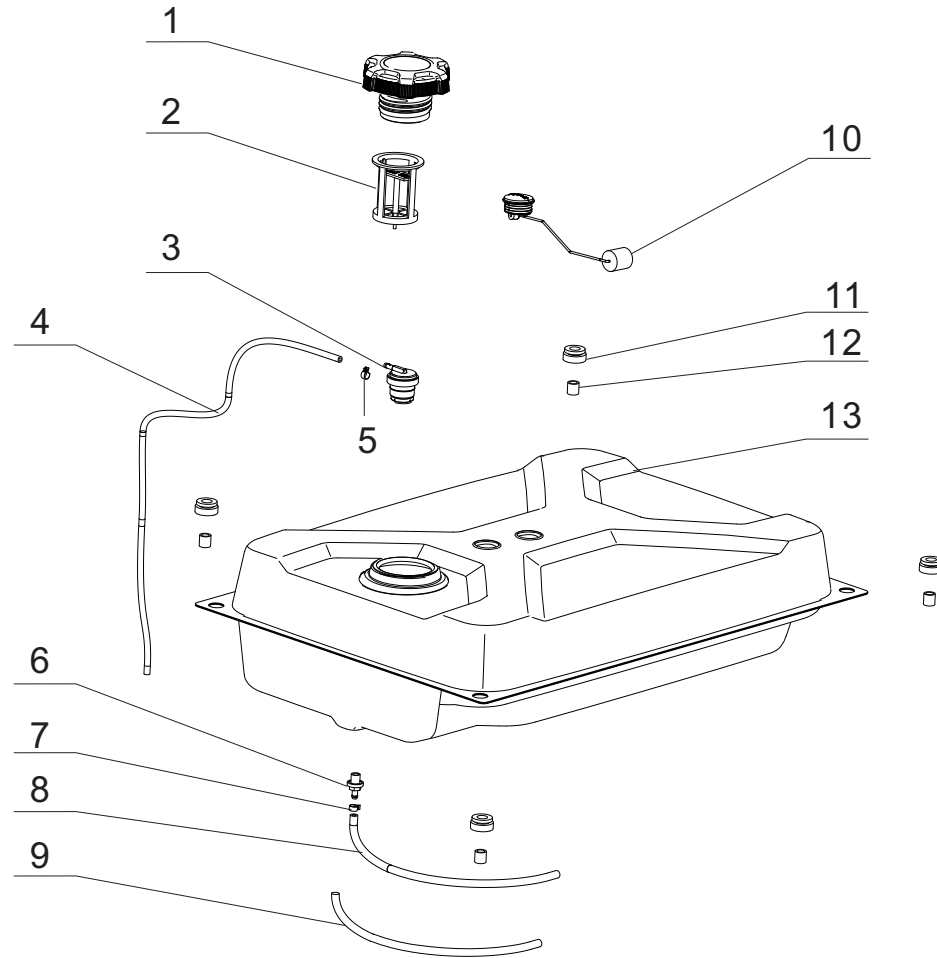


Figure F

FUEL TANK PARTS LIST

#	Part Number	Description	Qty.
1	16730-000010	Fuel Tank Cap	1
2	16652-000009	Fuel Filter	1
3	15150-000003	One Way Valve	1
4	16804-000027	Connection tube, Ø4.5 x Ø8.5 x 845	1
5	90740-000005	Clamp, Ø9	1
6	16680-000002	Fuel Tank Drain Fitting	1
7	90685-000010	Clamp, Ø10.5 x 8 x 0.8	1
8	90686-000017	Fuel Tube, Ø4 x Ø10 x 305	1
9	30431-000019	Rubber Sleeve, Ø13 x Ø11.5 x 180	1
10	37200-000010	Fuel Gauge	1
11	16601-000001	Fuel Tank Rubber Sleeve	4
12	90683-000001	Bushing	4
13	16620-000016	Fuel Tank	1

CONTROL PANEL PARTS DIAGRAM

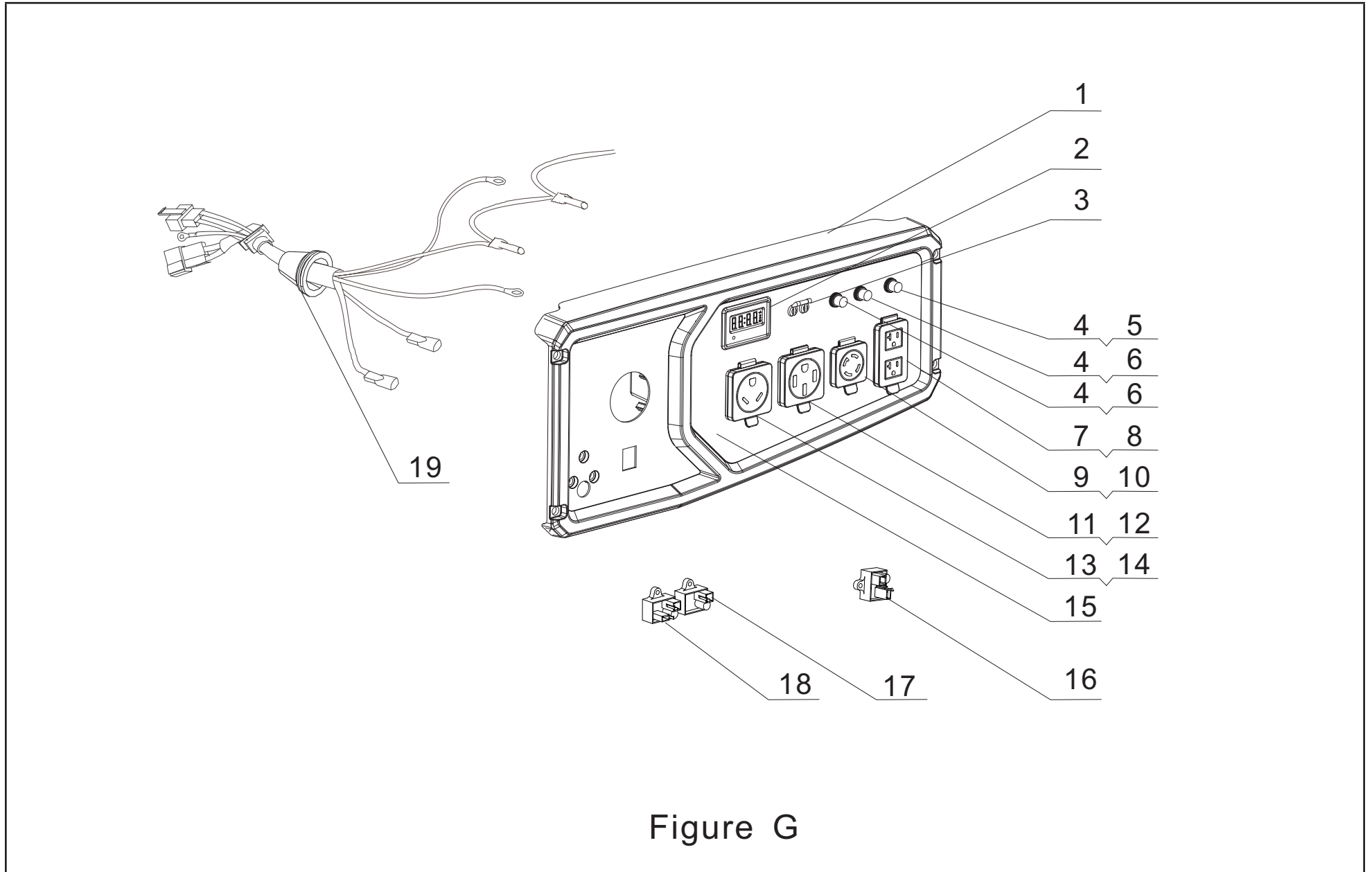


Figure G

CONTROL PANEL PARTS LIST

#	Part Number	Description	Qty.
1	35680-000017	Housing, Control Panel	1
2	35632-000006	Intelligence, INT1AOF	1
3	35627-000004	37.5 Amp Circuit Breaker, 2P Flip	1
4	35654-000005	Cover, Push Button	3
5	31234-000003	20 Amp Circuit Breaker, Push Button	1
6	31234-000001	30 Amp Circuit Breaker, Push Button	2
7	35654-000013	Receptacle Cover, 5-20R, Square Type	1
8	35614-000018	GFCI 5-20R, 20A, 125V Receptacle	1
9	35614-000004	L14-30 Receptacle, 30A, 125V/250V	1
10	35654-000010	Receptacle Cover, L14-30R	1
11	35614-000012	14-50R Receptacle, 50A, 125V/250V	1
12	35654-000012	Receptacle Cover, 14-50R	1
13	35614-000007	TT-30R Receptacle, 30A, 125V	1
14	35654-000011	Receptacle Cover, TT-30R	1
15	35650-000020	Control Panel	1
16	30008-000004	Control Module, Carburetor, EV10	1
17	30007-000002	Charging Module, EV0803	1
18	30008-000003	OVF Module, OV0402	1
19	35660-000041	Wire Harness, Control Panel	1

FRAME ASSEMBLY PARTS DIAGRAM

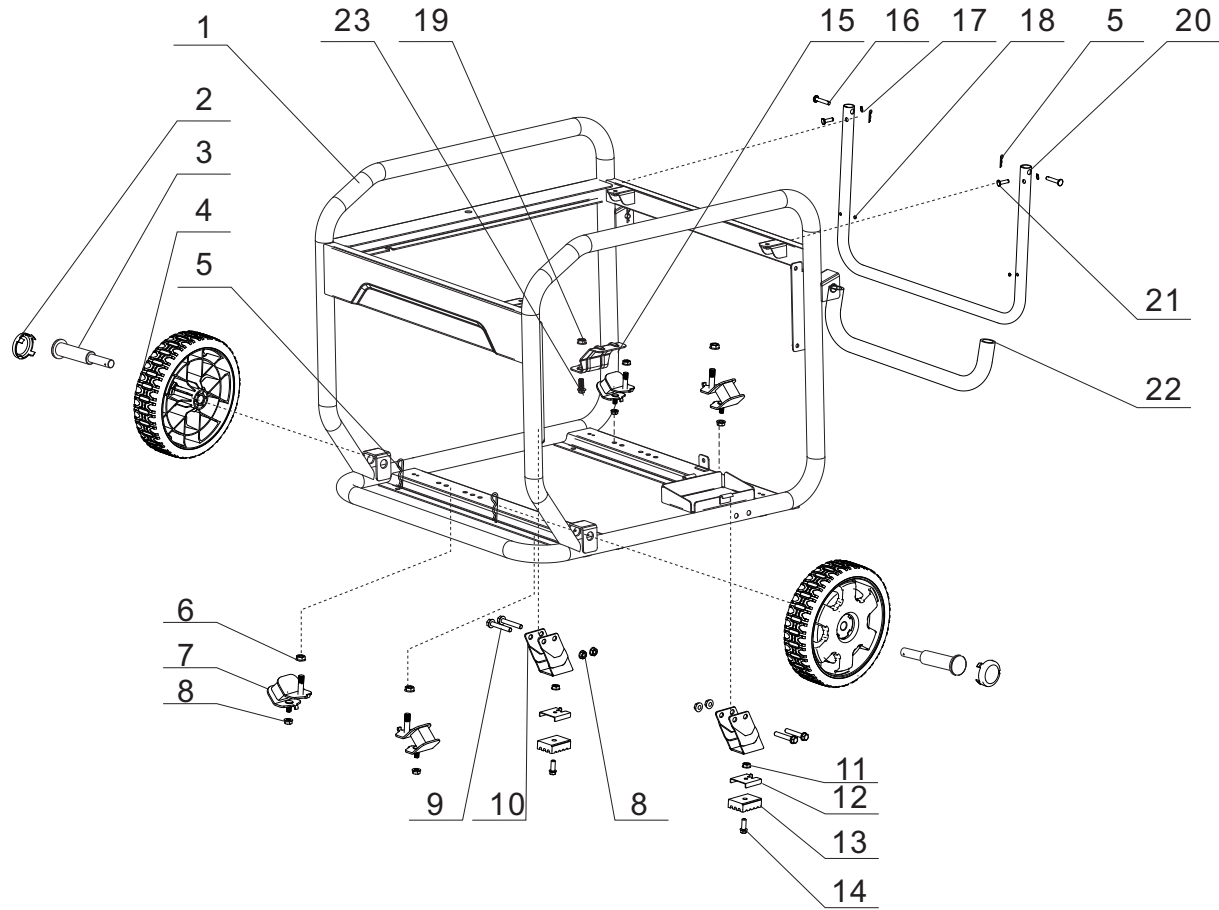


Figure H

FRAME ASSEMBLY PARTS LIST

#	Part Number	Description	Qty.
1	51100-000049	Frame Assembly	1
2	44001-000004	Hubcap	2
3	44020-000011	Roll Pin, L=102.5	2
4	44110-000010	5in. Wheel	2
5	90583-000001	R Pin, Ø2 × 35	4
6	90306-000002	Hexagon Flange Nut, M10	4
7	51012-000001	Vibration Mount 1, Frame	4
8	90305-000011	Hexagon Flange Nut, M8	8
9	90001-000054	Hexagon Flange Bolt, M8 x 50	4
10	51016-000012	Support Leg	2
11	90305-000008	Hexagon Flange Nut, M6	2
12	24329-000009	Bracket, Anti-Rotation	2
13	51014-000017	Vibration Mount 1, Support Leg	2
14	90001-000025	Hexagon Flange Bolt, M6 x 20	2
15	24329-000007	Heat Shield, Muffler	1
16	90504-000002	Pin Shaft	2
17	90573-000002	Circlip, Pin Shaft, Ø8	2
18	90722-000006	Plug, End	2
19	90305-000011	Hexagon Flange Nut, M8	1
20	54110-000015	Handle, Ø25 x 1.2	1
21	90504-000005	Pin Shaft, Ø8 X 25	2
22	54101-000008	Handle Sheath	1
23	90001-000041	Hexagon Flange Bolt, M6 X 16	1

WIRING DIAGRAM

