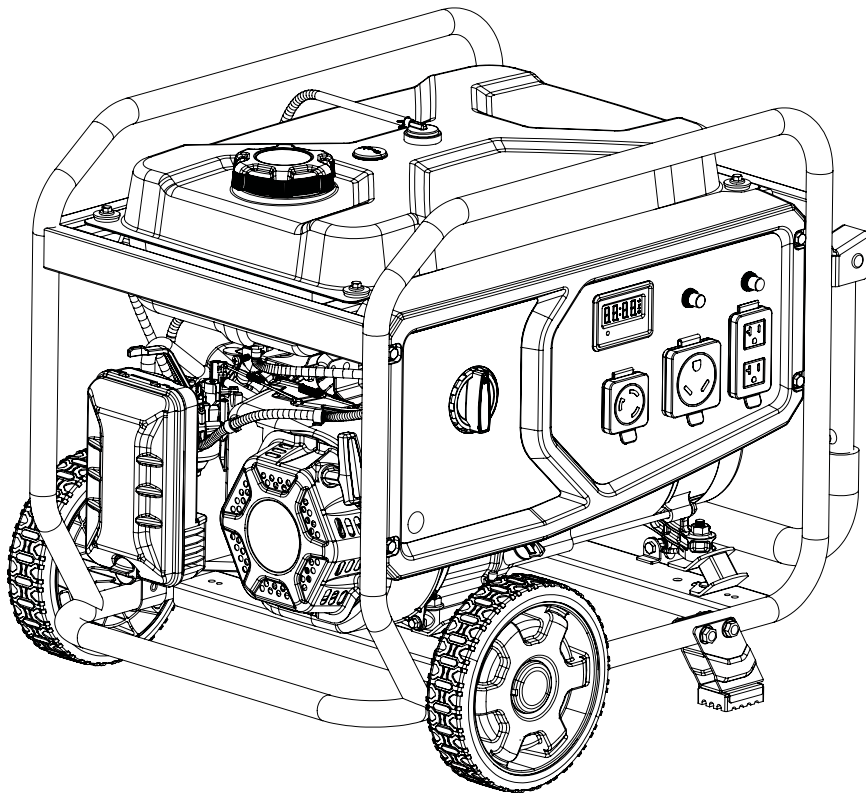


Cabela's®

MODEL #201264



PARTS INFORMATION

4000W PORTABLE GENERATOR

SERIAL NUMBER RANGE: ALL



To order replacement parts please visit:
shop.championpowerequipment.com
or call **1-877-338-0999**.

TABLE OF CONTENTS

Generator Parts Diagram	3
Generator Parts List	4
Engine Parts Diagram	5
Engine Parts List	6
Cylinder Head Parts Diagram	8
Cylinder Head Parts List	9
Carburetor Parts Diagram	10
Carburetor Parts List	11
Alternator Parts Diagram	12
Alternator Parts List	13
Fuel Tank Parts Diagram	14
Fuel Tank Parts List	15
Control Panel Parts Diagram	16
Control Panel Parts List	17
Frame Assembly Parts Diagram	18
Frame Assembly Parts List	19
Wiring Diagram	20

GENERATOR PARTS DIAGRAM

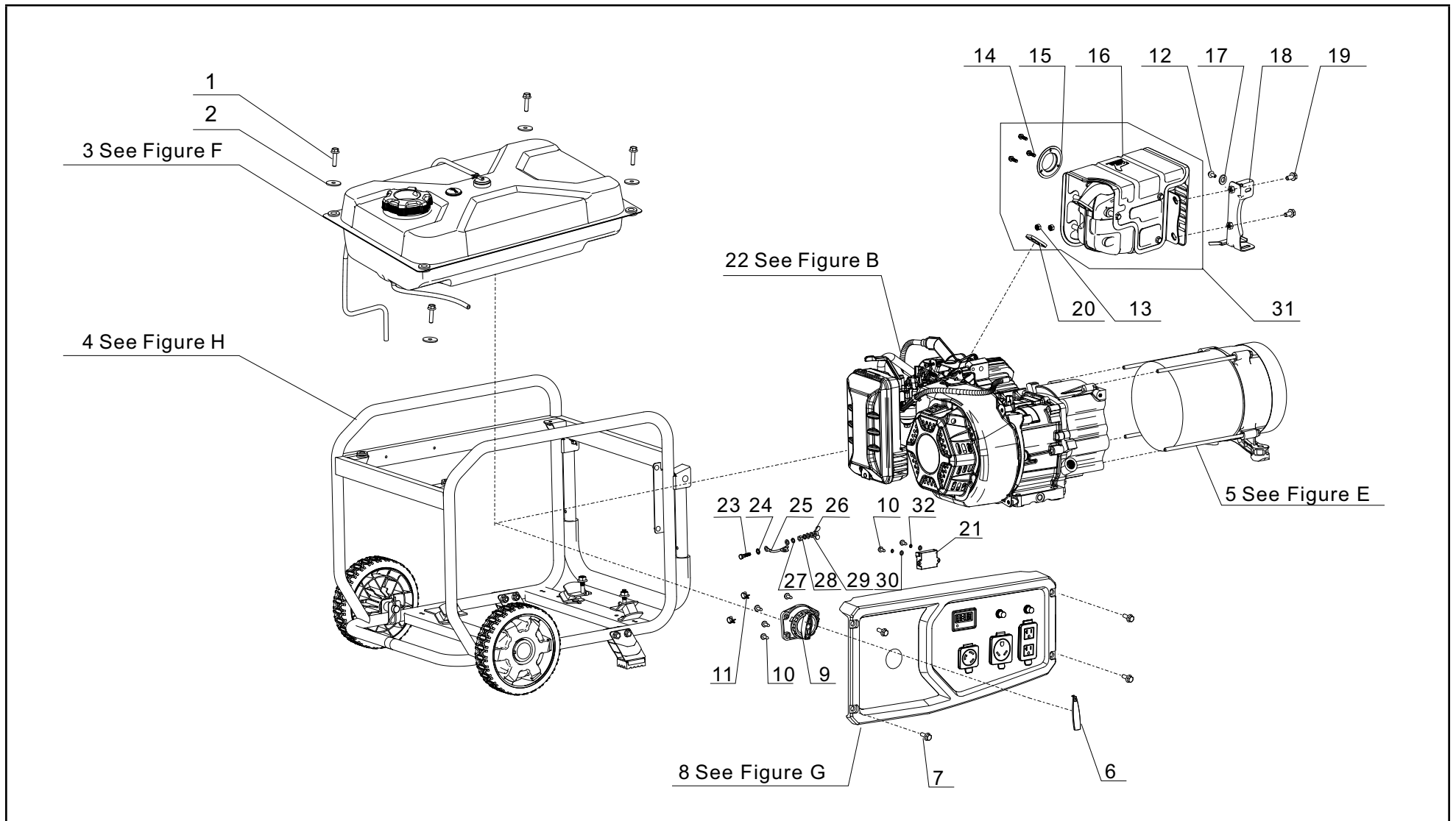


Figure A

GENERATOR PARTS LIST

#	Part Number	Description	Qty.
1	90007-000014	Hexagon Flange Bolt, M6 × 20, Black Zinc	4
2	90408-000008	Flat Washer, Ø6, Black Zinc	4
3	96104-Y16620-0003	Fuel Tank Assembly - See Figure F	1
4	96103-Y51100-0004	Frame Assembly - See Figure H	1
5	96114-Y31300-0004	Alternator - See Figure E	1
6	82007-000004	Decorative Cover, PMS 4195C	1
7	90007-000012	Hexagon Flange Bolt, M6 × 16, Black Zinc	4
8	35610-000148	Control Panel Assembly - See Figure G	1
9	16750-000001	Fuel Valve Assembly	1
10	90124-000003	Self Tapping Screw, PT5 × 16	6
11	90685-000013	Clamp, Ø8.5 × Ø8 × 0.6	2
12	90001-000019	Hexagon Flange Bolt, M6 × 12, Black Zinc	1
13	90303-000006	Flange Nut, M8, Black Zinc	2
14	90106-000002	Screw, M4 × 8, Black Zinc	3
15	18250-000007	Spark Arrestor	1
16	18100-000019	Muffler Assembly	1
17	90406-000003	Flat Washer, Black Zinc	1
18	18030-000006	Muffler Bracket	1
19	90001-000041	Hexagon Flange Bolt, M8 × 16, Black Zinc	2
20	18001-000011	Exhaust Outlet Gasket	1
21	35720-000001	CO Alarm	1
22	96100-225V0000-01	Engine Assembly, 224cc - See Figure B	1
23	90001-000027	Hexagon Flange Bolt, M6 × 25, Black Zinc	1
24	90415-000002	Lock Washer, Toothed, Black Zinc	1
25	30009-000002	Grounding Wire	1
26	90312-000001	Wing Nut, M6, Black Zinc	1
27	90403-000003	Spring Washer, Black Zinc	2
28	90303-000003	Hexagon Nut, M6, Black Zinc	1
29	90408-000006	Flat Washer, Grounding Wire, Black Zinc	3
30	90408-000003	Flat Washer, Ø5, White Zinc	2

#	Part Number	Description	Qty.
31	96003-Y18100-0019	Muffler Assembly 1	1
32	90403-000002	Spring Washer, Black Zinc	2

ENGINE PARTS DIAGRAM

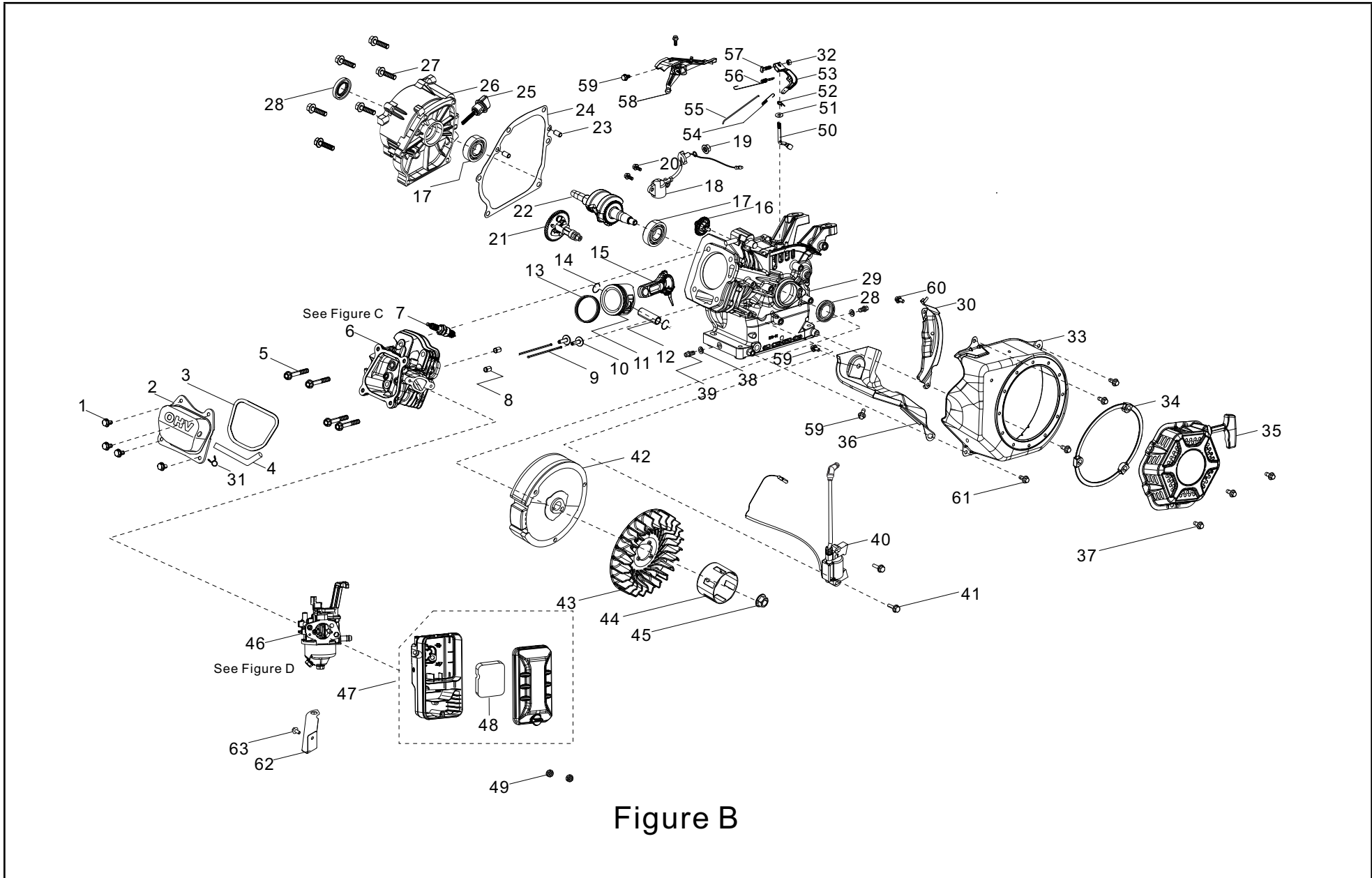


Figure B

ENGINE PARTS LIST

#	Part Number	Description	Qty.
1	90001-000018	Hexagon Flange Bolt, M6 x 12, White Zinc	4
2	12410-000012	Cylinder Head Cover Subassembly, White Zinc	1
3	12004-000017	Cylinder Head Cover Gasket	1
4	17004-000022	Tube, Breather, Ø8 x Ø12	1
5	12003-000001	Cylinder Head Bolt, M8 x 60, Black Zinc	4
6	96101-Z120410-0002	Cylinder Head Subassembly - See Figure C	1
7	30010-000001	Spark Plug, F6RTC	1
8	90502-000007	Pin, Ø11 x 14	2
9	14071-000005	Valve Lifter	2
10	14081-000002	Valve Tappet	2
11	13111-000010	Piston	1
12	13121-000001	Piston Pin, Ø18 x Ø54	1
13	13200-000007	Piston Ring Assembly	1
14	13122-000001	Piston Pin Clip	2
15	13010-000015	Connecting Rod	1
16	16400-000003	Governor Gear Assembly	1
17	90547-000006	Bearing, 6205	2
18	37060-000003	Engine oil Sensor	1
19	90305-000014	Hexagon Flange Nut, M10, Black Zinc	1
20	90001-000020	Hexagon Flange Bolt, M6 x 14, White Zinc	2
21	14200-000012	Camshaft Assembly	1
22	13300-000033	Crankshaft Assembly	1
23	90502-000005	Pin, Ø9 x 12	2
24	11001-000008	Crankcase Gasket	1
25	15010-000016	Oil Dipstick Subassembly	1
26	11411-000018	Crankcase Cover	1
27	90001-000047	Hexagon Flange Bolt, M8 x 32, White Zinc	6
28	90682-000010	Oil Seal, Ø25 x Ø41.25 x 6	2
29	11310-000015	Crankcase Subassembly	1
30	19340-000003	Lower Shield, White Zinc	1

#	Part Number	Description	Qty.
31	90740-000006	Clamp Ø11	1
32	90305-000005	Hexagon Flange Nut, M6, White Zinc	1
33	28110-000039	Shroud - PMS 4195C	1
34	28261-000001	Retainer Ring, Recoil Starter	1
35	28200-000007	Recoil Starter Assembly	1
36	19304-000009	Cylinder Body Shroud	1
37	90251-000002	Hexagon Flange Bolts With Washer, M6 x 18, Black Zinc	3
38	90408-000021	Washer, Ø10 x Ø15.8 x 1.5	2
39	11007-000001	Drain Plug Bolt, M10 x1.25 x15, White Zinc	2
40	30400-000015	Ignition Coil	1
41	90001-000026	Hexagon Flange Bolt, M6 x 25, White Zinc	2
42	13510-000014	Flywheel Subassembly	1
43	19352-000012	Cooling Fan, Engine	1
44	28002-000010	Starter Pulley, White Zinc	1
45	13501-000001	Flywheel Nut, M14 x 1.5, White Zinc	1
46	96003-Z16100-0039	Carburetor Assembly - See Figure D	1
47	17100-000020	Air Cleaner Assembly	1
48	17151-000009	Element, Air Cleaner	1
49	90305-000008	Hexagon Flange Nut, M6, Black Zinc	2
50	16061-000001	Governor Arm	1
51	90408-000020	Washer, Ø6.2 x Ø15 x 0.6	1
52	90501-000005	Pin, White Zinc	1
53	16070-000001	Governor Support Subassembly, White Zinc	1
54	16012-000002	Throttle Valve Returning Spring	1
55	16062-000002	Governor Rod, White Zinc	1
56	16063-000001	Spring, Governor	1
57	16072-000001	Governor Support Bolt, M6 x 21, Black Zinc	1
58	16520-000018	Throttle Control Assembly, White Zinc	1
59	90001-000016	Hexagon Flange Bolt, M6 x 10, White Zinc	4

#	Part Number	Description	Qty.
60	90001-000024	Hexagon Flange Bolt, M6 x 20, White Zinc	1
61	90001-000019	Hexagon Flange Bolt, M6 x 12, Black Zinc	4
62	17003-000003	Air Cleaner Support	1
63	90001-000019	Hexagon Flange Bolt, M6 x 12, Black Zinc	1

CYLINDER HEAD PARTS DIAGRAM

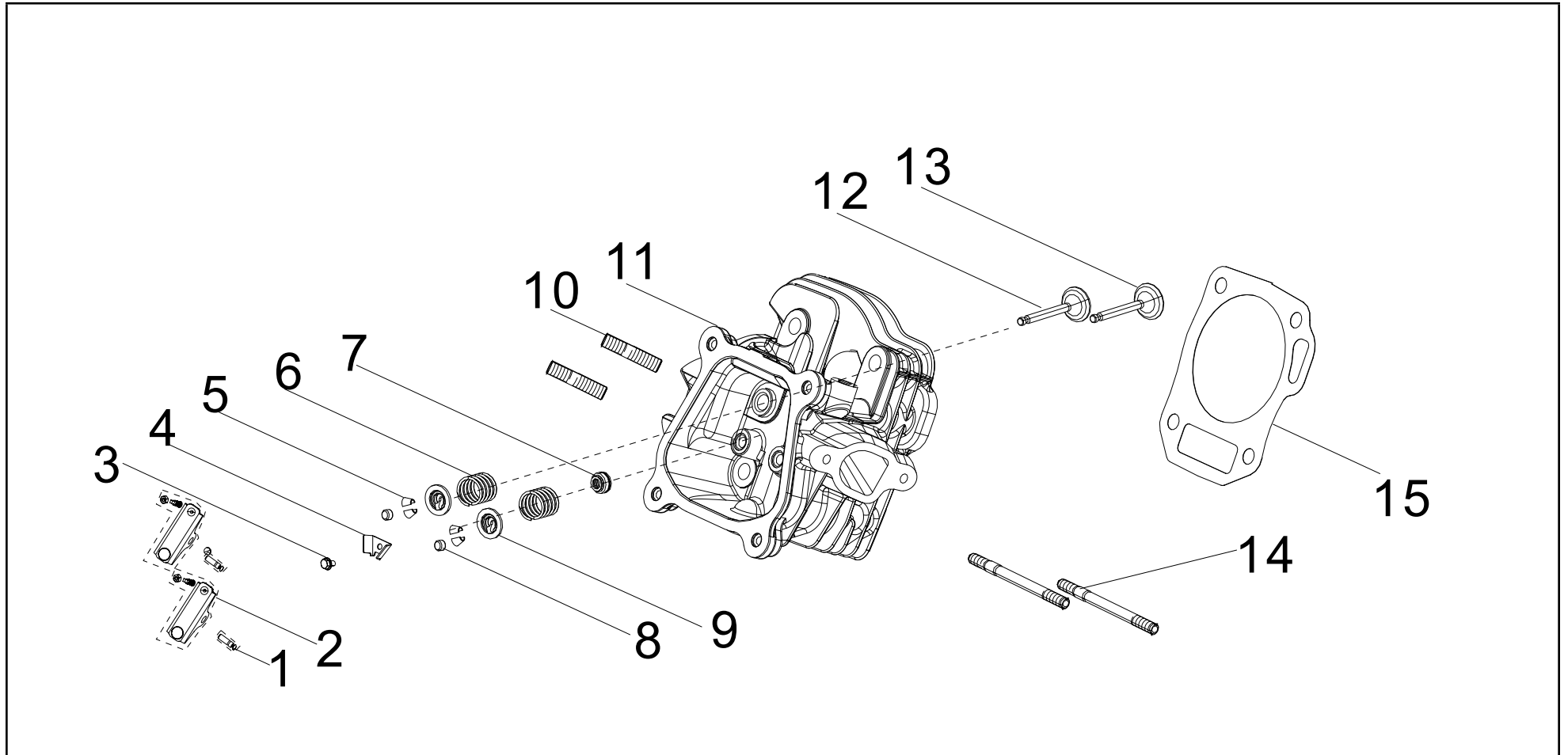
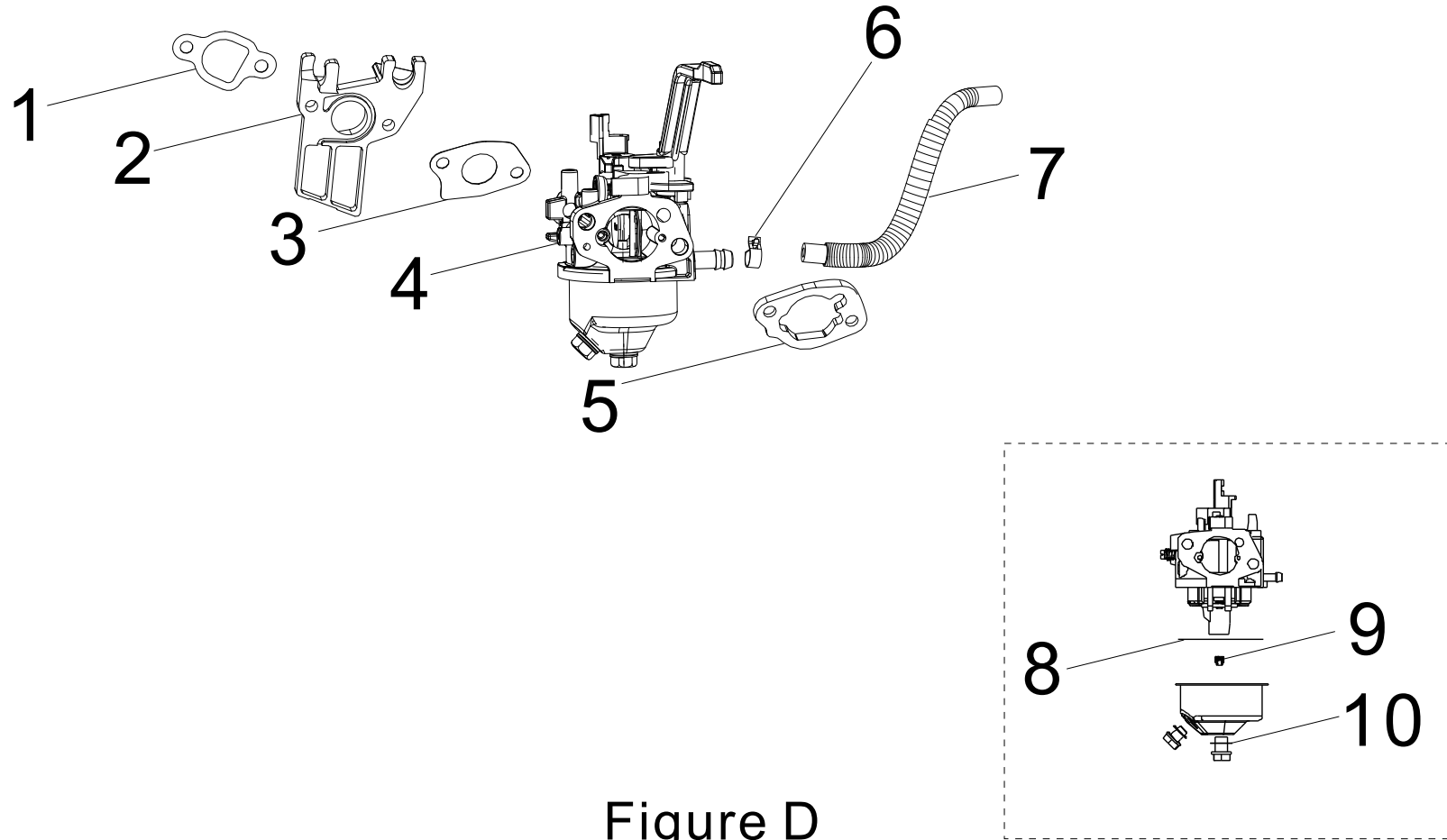


Figure C

CYLINDER HEAD PARTS LIST

#	Part Number	Description	Qty.
1	14318-000007	Rocker Shaft Assembly	2
2	14310-000008	Valve Rocker Assembly	2
3	90001-000016	Hexagon Flange Bolt, M6 x 10, Black Zinc	1
4	12419-000002	Pin Stopper Plate, Cylinder Head Cover	1
5	12109-000004	Valve Lock Clamp	4
6	12103-000010	Valve Spring	2
7	12101-000006	Seal Guide	1
8	12104-000003	Rotator, VALVE	2
9	12112-000008	Valve Spring Retainer	2
10	90203-000001	Stud, M8 x 34, Black Zinc	2
11	12140-000012	Cylinder Head Subassembly	1
12	12121-000009	Exhaust Valve	1
13	12111-000008	Inlet Valve	1
14	90204-000001	Stud, M6 x 96, Black Zinc	2
15	12131-000009	Cylinder Head Gasket	1

CARBURETOR PARTS DIAGRAM



CARBURETOR PARTS LIST

#	Part Number	Description	Qty.
1	16002-000006	Carburetor Insulator Gasket	1
2	16003-000016	Carburetor Insulator Plate	1
3	16001-000001	Carburetor Gasket	1
4	16100-000037	Carburetor Assembly	1
5	17001-000002	Air Cleaner Gasket	1
6	90685-000012	Clamp, Ø8 x 7 x 0.6, Blue White Zinc	1
7	90686-000034	Fuel Tube, Ø4.5 x Ø8.5 x (320+35)	1
8	16112-000001	Seal Ring, Float	1
9	16161-000031	Main Jet (79#), Standard	1
	16161-000027	Main Jet (77#), Altitude 3000-6000 Feet	/
	16161-000025	Main Jet (75#), Altitude 6000-8000 Feet	/
10	90681-000004	Seal Ring	1

ALTERNATOR PARTS DIAGRAM

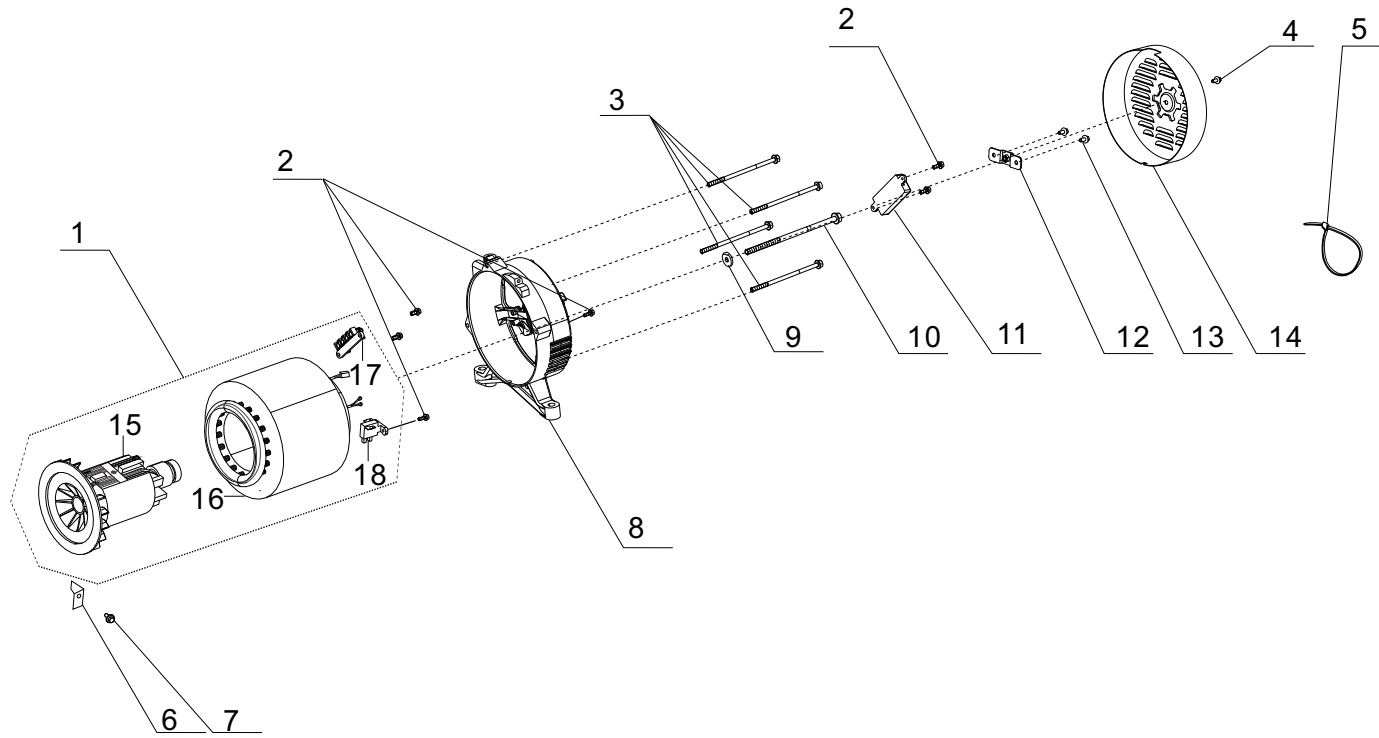


Figure E

ALTERNATOR PARTS LIST

#	Part Number	Description	Qty.
1	31300-000025	Alternator Assembly, AL, D160 × 130	1
2	90001-000007	Hexagon Flange Bolt, M5 × 16, White Zinc	6
3	30048-000005	Bolt, M6 × 174, Stator, White Zinc	4
4	90007-000001	Hexagon Flange Bolt, M5 × 8, Black Zinc	1
5	90727-000002	Band 2	1
6	30023-000001	Stopper, Motor Right Cover, White Zinc	1
7	90001-000019	Hexagon Flange Bolt, M6 × 12, Black Zinc	1
8	30021-000004	Motor Bracket,	1
9	90408-000025	Flat Washer, Black Zinc	1
10	30049-000005	Bolt, M8 × 230, Rotor, White Zinc	1
11	30060-000009	Rectifier	1
12	51124-000001	Mounting Bracket, White Zinc	1
13	90005-000003	Nut, M5 × 12, White Zinc	2
14	30022-000006	Cover, End Housing, PMS 4195C	1
15	31330-000012	Rotor, AL, D160 × 130	1
16	31310-000016	Stator, AL, D160 × 130	1
17	31303-000001	Terminal Block	1
18	31320-000001	Carbon Brush Subassembly	1

FUEL TANK PARTS DIAGRAM

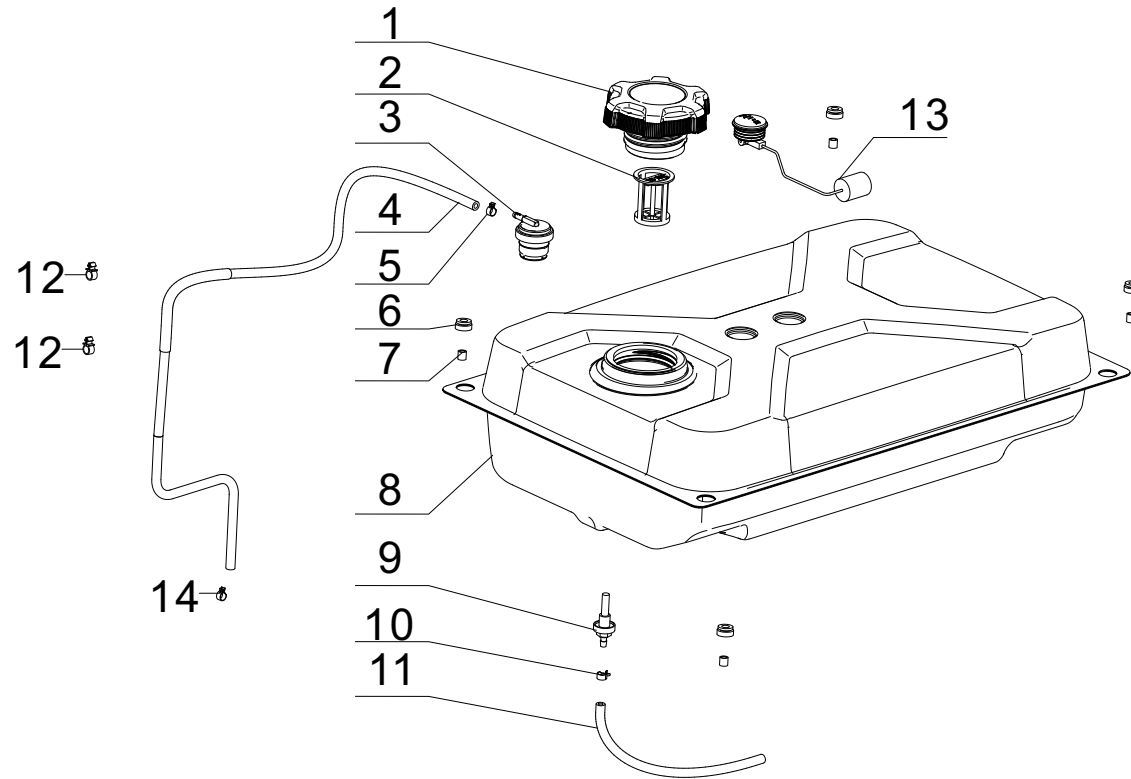


Figure F

FUEL TANK PARTS LIST

#	Part Number	Description	Qty.
1	16730-000010	Fuel Tank Cap	1
2	16652-000009	Fuel Filter	1
3	15150-000003	One Way Valve	1
4	16804-000026	Tube, Fuel Tank Vent	1
5	90740-000005	Clamp, Ø9	1
6	16601-000002	Vibration Mount, Fuel Tank	4
7	90683-000002	Bushing, White Zinc	4
8	16620-000013	Fuel Tank, RMS 4195C	1
9	16680-000002	Fitting, Fuel Tank Drain	1
10	90685-000002	Clamp, Ø9 × 8 × 0.8	1
11	90686-000014	Fuel Tube	1
12	90684-000005	Clip, Ø8	2
13	37200-000012	Fuel Gauge	1
14	90685-000010	Clamp, Ø10.5 × Ø8 × 0.8	1

CONTROL PANEL PARTS DIAGRAM

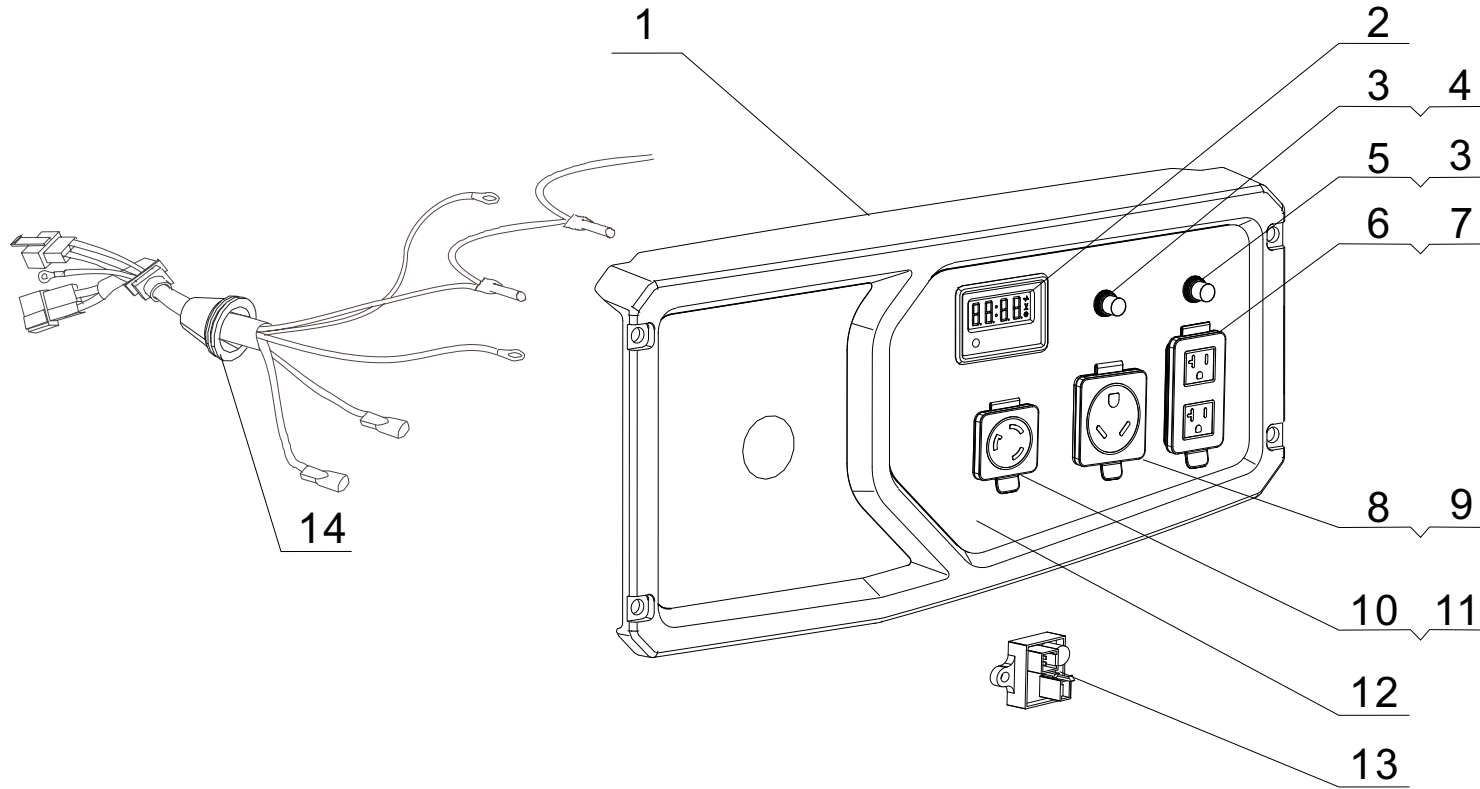


Figure G

CONTROL PANEL PARTS LIST

#	Part Number	Description	Qty.
1	35680-000016	Control Panel Housing	1
2	35632-000006	Intelliguage, INT1AOF	1
3	35654-000005	Cover, Push Botton	2
4	31234-000007	Circuit Breaker, Push Botton, 30A	1
5	31234-000003	Circuit Breaker, Push Botton, 20A	1
6	35614-000017	5-20R Duplex Receptacle, 20A 125V	1
7	35654-000013	Receptacle Cover, 5-20R	1
8	35614-000007	TT-30R Receptacle, 30A, 125V	1
9	35654-000011	Receptacle Cover, TT-30R	1
10	35614-000005	L5-30R Receptacle,30A,125V	1
11	35654-000009	Receptacle Cover,L5-30R	1
12	35650-000018	Control Panel	1
13	30008-000002	Control Module, OV0201	1
14	35660-000042	Wiring Harness, Control Panel	1

FRAME ASSEMBLY PARTS DIAGRAM

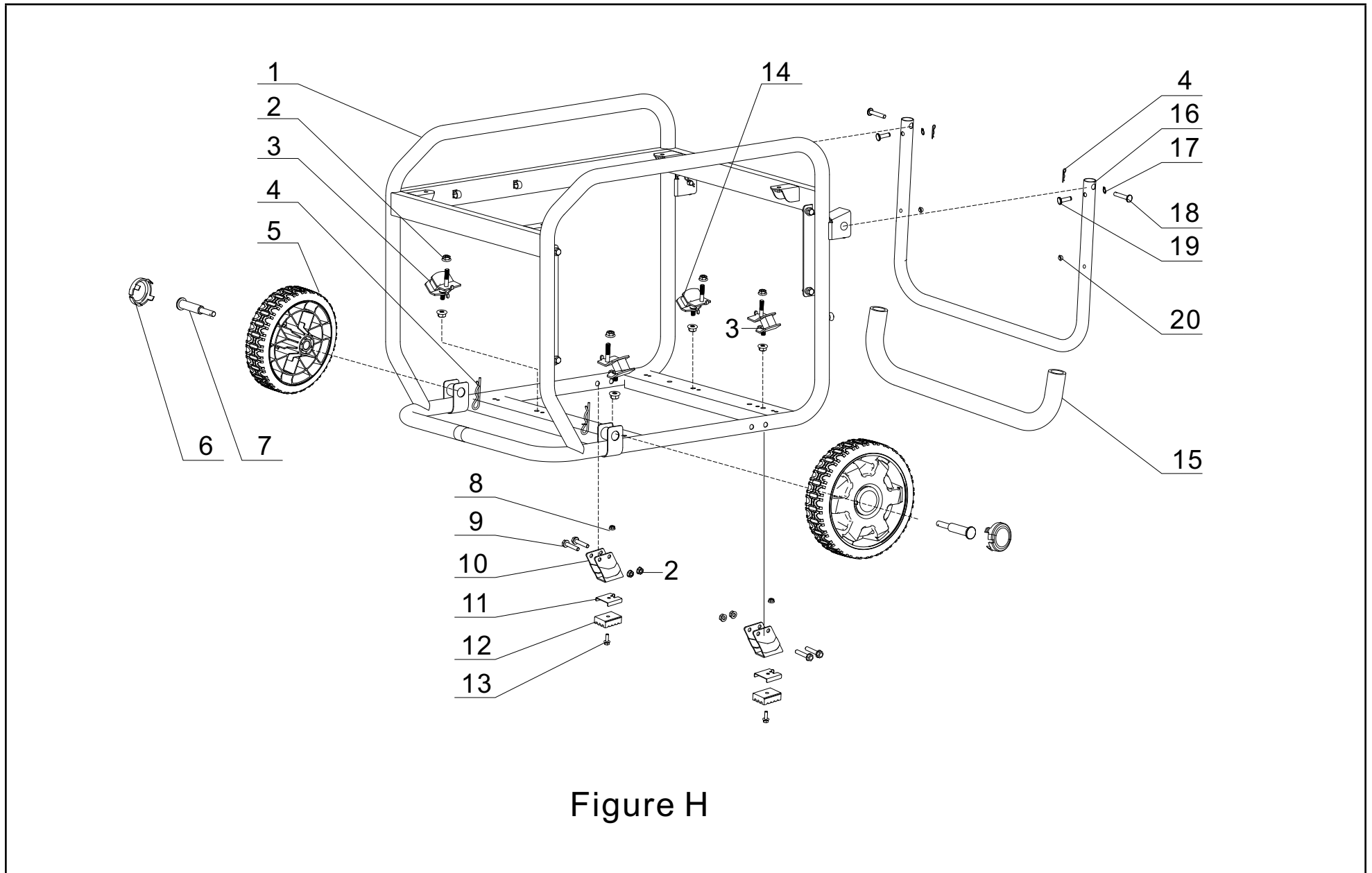


Figure H

FRAME ASSEMBLY PARTS LIST

#	Part Number	Description	Qty.
1	51100-000050	Frame Assembly	1
2	90305-000011	Hexagon Flange Nut, M8, Black Zinc	12
3	51005-000002	Vibration Mount 1, Frame	2
4	90583-000001	R-Clip, Ø2 x 38, Black Zinc	4
5	44110-000009	Wheel, 8 in, PMS 4195C	2
6	44001-000004	Cover, Hub Decorated, PMS 4195C	2
7	44020-000010	Roll Pin, Ø16 x 95, Black Zinc	2
8	90305-000006	Hexagon Flange Nut, M6, Black Zinc	2
9	90001-000051	Hexagon Flange Bolt, M8 x 40, Black Zinc	4
10	51016-000010	Support Leg	2
11	24329-000009	Block, Anti-Rotation	2
12	51014-000017	Foot, Rubber	2
13	90001-000025	Hexagon Flange Bolt, M6 x 20, Black Zinc	2
14	51011-000001	Vibration Mount 2, Frame	2
15	54101-000007	Handle Sheath	1
16	54110-000004	Handle, Ø25 x 1.2	1
17	90573-000002	Circlip, Shaft, Black Zinc	2
18	90504-000002	Pin Shaft	2
19	90504-000005	Pin Shaft, Ø8 x 25, Black Zinc	2
20	90722-000006	Plug, End	2

WIRING DIAGRAM

