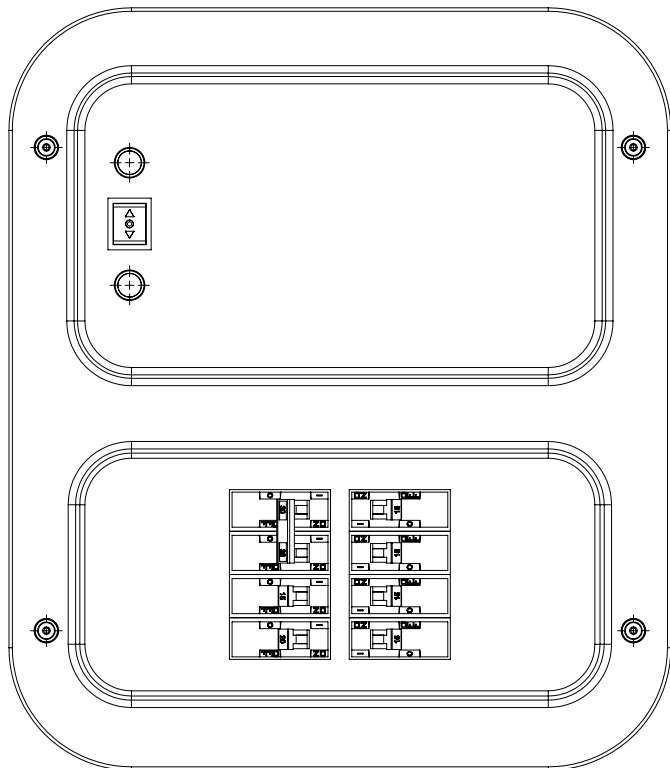




Champion Power Equipment, Inc., Santa Fe Springs, CA USA

MODEL #201192



PARTS INFORMATION

30 AMP MANUAL TRANSFER SWITCH

SERIAL NUMBER RANGE: ALL

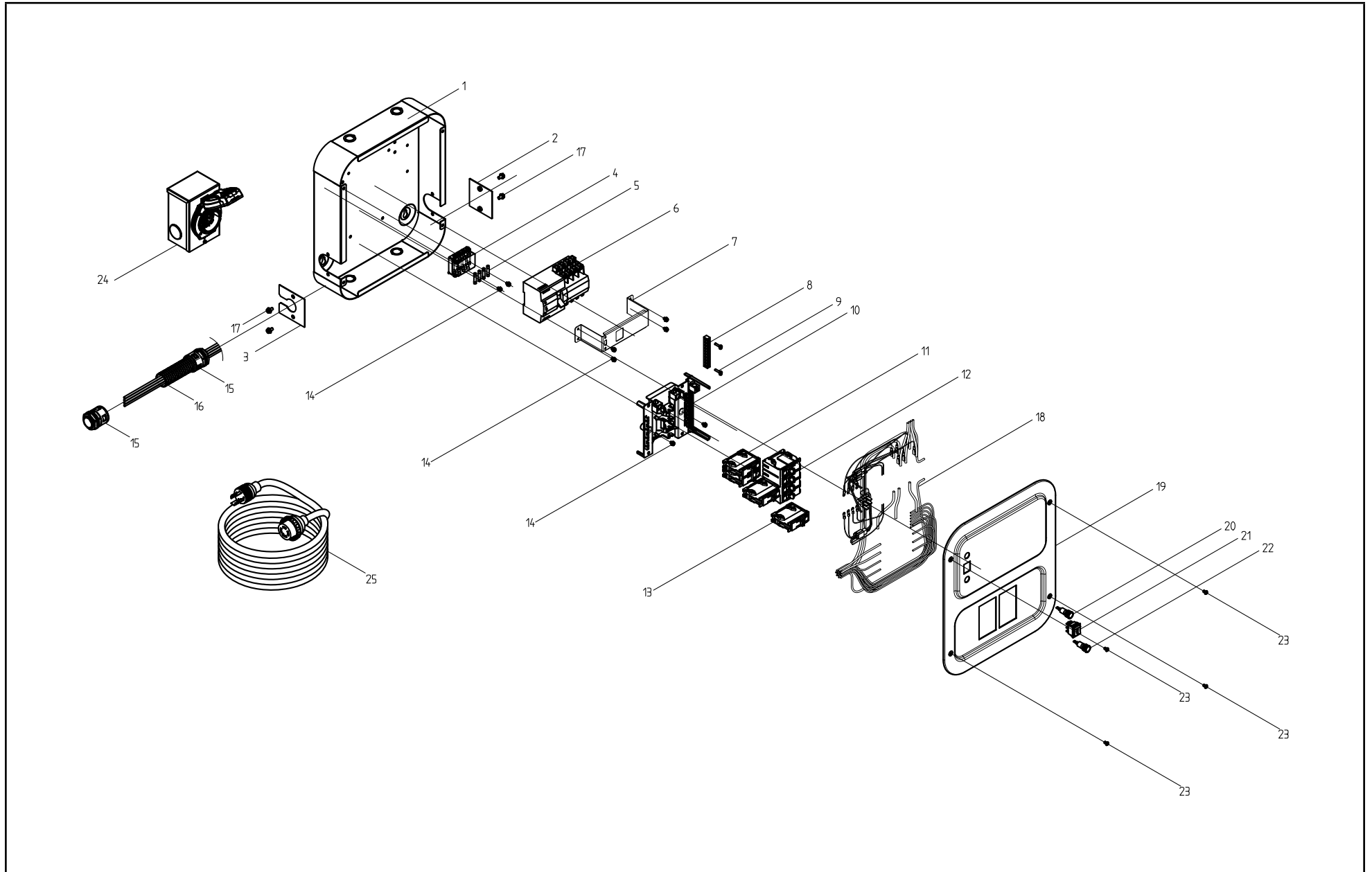


To order replacement parts please visit:
shop.championpowerequipment.com
or call **1-877-338-0999**.

TABLE OF CONTENTS

Manual Transfer Switch Parts Diagram	3
Manual Transfer Switch Parts List.....	4
Wiring Diagram	5

MANUAL TRANSFER SWITCH PARTS DIAGRAM



MANUAL TRANSFER SWITCH PARTS LIST

#	Part Number	Description	Qty.
1	10070-00002-0000	Housing	1
2	10070-00004-0000	Plate, Wire Harness Access Cover	1
3	10070-00003-0000	Plate, Wire Harness Access	1
4	02291-00038-0000	Fuse Holder	1
5	02271-00003-1708	Fuse, 3A	4
6	02061-00300-0000	Transfer Switch	1
7	09011-00090-0000	Bracket, Transfer Switch Retaining	1
8	09101-00108-0000	Bar, Grounding	1
9	08071-00038-0000	Screw, M4 x 20	2
10	09101-00107-0000	Mounting Base-Circuit Breaker	1
11	02031-00501-0000	30Amp Circuit Breaker, Double Pole	1
12	02031-00503-0000	15Amp Circuit Breaker	5
13	02031-00502-0000	20Amp Circuit Breaker	1
14	08070-00023-0117	Screw, M5 x 8	8
15	01041-00040-0000	Fitting, Flexible Conduit	2
16	01041-00039-0000	Flexible Conduit, Ø34.5 x Ø29 x 304	1
17	08041-00007-0000	Bolt M6 x 10	4
18	06090-00001-0000	Wire Harness Assembly	1
19	10070-00001-0000	Cover, Housing	1
20	02091-00071-0000	Indicator, Green	1
21	02061-00301-0000	Switch, On-Off	1
22	02091-00070-0000	Indicator, Blue	1
23	08071-00066-0000	Bolt M5 x 8	4
24	02331-00018-0000	Power Inlet Box	1
25	06091-00004-1171	Power Cord	1

WIRING DIAGRAM

