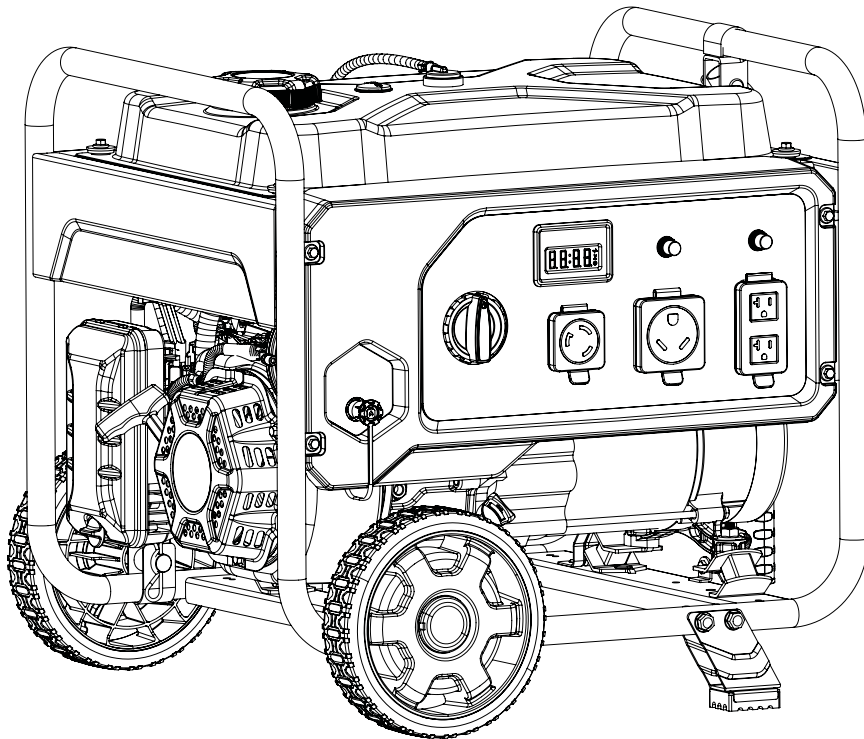




Champion Power Equipment, Inc., Santa Fe Springs, CA USA

MODEL #201280



PARTS INFORMATION

3650W DUAL FUEL PORTABLE GENERATOR

SERIAL NUMBER RANGE: ALL



To order replacement parts please visit:
shop.championpowerequipment.com
or call **1-877-338-0999**.

TABLE OF CONTENTS

Generator Parts Diagram	3
Generator Parts List	4
Engine Parts Diagram	5
Engine Parts List	6
Cylinder Head Parts Diagram	8
Cylinder Head Parts List	9
Carburetor Parts Diagram	10
Carburetor Parts List	11
Alternator Parts Diagram	12
Alternator Parts List	13
Fuel Tank Parts Diagram	14
Fuel Tank Parts List	15
Control Panel Parts Diagram	16
Control Panel Parts List	17
Frame Assembly Parts Diagram	18
Frame Assembly Parts List	19
Wiring Diagram	20

GENERATOR PARTS DIAGRAM

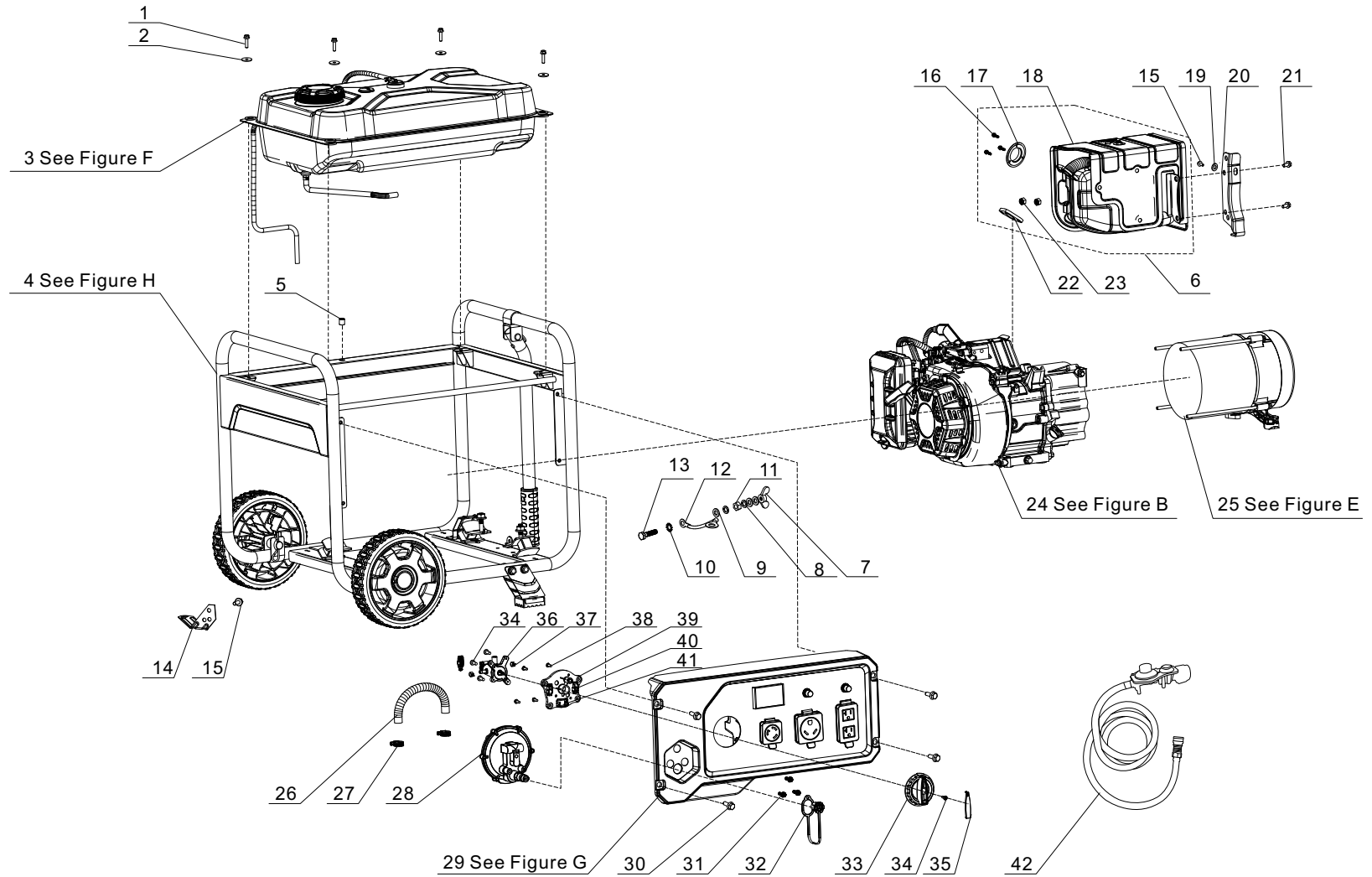


Figure A

GENERATOR PARTS LIST

#	Part Number	Description	Qty.
1	90007-000014	Hexagon Flange Bolt, M6x20, Black Zinc	4
2	90408-000008	Flat Washer, Ø6, Black Zinc	4
3	96003-Y16620-0005	Fuel Tank Assembly - See Figure F	1
4	96003-Y51100-0005	Frame Assembly - See Figure H	1
5	90698-000001	Protective Rubber Sleeve	1
6	96003-Y18100-0013	Muffler Assembly	1
7	90312-000001	Wing Nut, M6, Black Zinc	1
8	90403-000003	Spring Washer, Black Zinc	2
9	90408-000006	Flat Washer, Black Zinc	3
10	90415-000002	Lock Washer, Toothed, Black Zinc	1
11	90303-000003	Hexagon Nut, M6, Black Zinc	1
12	30009-000001	Grounding Wire	1
13	90001-000027	Hexagon Flange Bolt, M6 x 25, Black Zinc	1
14	17003-000003	Bracket, Air Cleaner Support	1
15	90001-000019	Hexagon Flange Bolt, M6 x 12, Black Zinc	2
16	90106-000001	Screw, M4 x 8, Black Zinc	3
17	18250-000007	Spark Arrestor	1
18	18100-000020	Muffler	1
19	90406-000003	Flat Washer, Ø6.4 x Ø18 x 1.6, Black Zinc	1
20	18030-000006	Bracket, Muffler Support	1
21	90001-000041	Hexagon Flange Bolt, M8 x 16, Black Zinc	2
22	18001-000007	Gasket, Exhaust Outlet	1
23	90303-000006	Hexagon Nut, M8, Black Zinc	2
24	96100-225MN000-01	Engine R225 - See Figure B	1
25	96003-Y31300-0013	Alternator - See Figure E	1
26	90729-000001	Hose, Ø10 x Ø16.8 x 195	1
27	90748-000002	Clamp, Ø10 -16	3
28	77100-000009	Pressure Reducing Valve	1
29	35610-000134	Control Panel Assembly - See Figure G	1
30	90007-000012	Hexagon Flange Bolt, M6 x 16, Black Zinc	4

#	Part Number	Description	Qty.
31	90134-000001	Bolt, Cross Hexagon Pan Head, M5 x 12, Black Zinc	3
32	16287-000001	Dust Cap	1
33	35643-000009	Knob	1
34	90254-000001	Screw And Washer, M4x16, White Zinc	4
35	82007-000005	Decorative Cover	1
36	16750-000012	Fuel Valve	1
37	90685-000002	Clamp, Ø9 x 8 x 0.8	2
38	90124-000003	Self Tapping Screw, PT5x16	4
39	16757-000002	Seat, Fuel Valve	1
40	35190-000003	Micro Switch 2, Engine Stop	1
41	35190-000002	Micro Switch 1, Engine Stop	1
42	77300-000002	LPG Hose With Regulator	1

ENGINE PARTS DIAGRAM

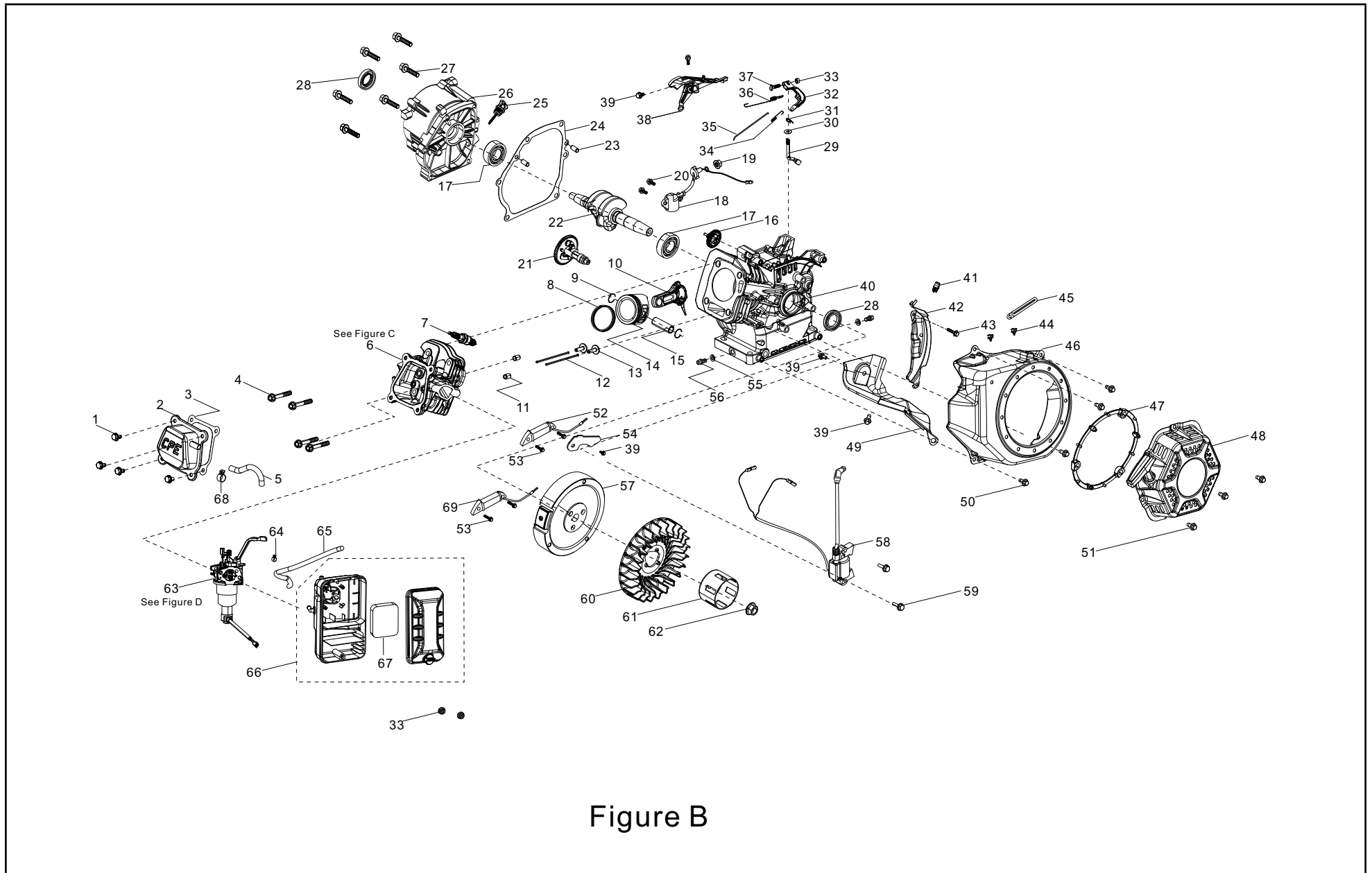


Figure B

ENGINE PARTS LIST

#	Part Number	Description	Qty.
1	90001-000018	Hexagon Flange Bolt, M6 x 12, White Zinc	4
2	12410-000001	Cylinder Head Cover, White Zinc	1
3	12004-000002	Cylinder Head Cover Gasket	1
4	12003-000002	Cylinder Head Bolt, M8 x 60, Black Zinc	4
5	17004-000002	Tube, Breather, Ø8 x Ø12 x 130	1
6	96003-Z12140-0034	Cylinder Head - See Figure C	1
7	30010-000001	Spark Plug, F6RTC	1
8	13200-000004	Piston Ring Assembly	1
9	13122-000005	Piston Pin Clip	2
10	13010-000012	Connecting Rod	1
11	90502-000007	Pin, Ø11 x 14	2
12	14071-000004	Valve Lifter	2
13	14081-000002	Valve Tappet	2
14	13111-000016	Piston	1
15	13121-000011	Piston Pin, Ø13 x 45.9	1
16	16400-000007	Governor Gear Assembly	1
17	90547-000006	Bearing	2
18	37060-000003	Engine oil Sensor, W/O Nut	1
19	90305-000015	Hexagon Flange Nut, M10, Black Zinc	1
20	90001-000020	Hexagon Flange Bolt, M6 x 14, White Zinc	2
21	14200-000021	Camshaft Assembly	1
22	13300-000025	Crankshaft Assembly	1
23	90502-000005	Pin, Ø9 x 12	2
24	11001-000008	Crankcase Gasket	1
25	15010-000016	Oil Dipstick	1
26	11411-000018	Crankcase Cover	1
27	90001-000048	Hexagon Flange Bolt, M8 x 32, Black Zinc	6
28	90682-000010	Oil Seal, Ø25 x Ø41.25 x 6	2
29	16061-000001	Governor Arm	1
30	90408-000020	Washer, Ø6.2 x Ø15 x 0.6	1

#	Part Number	Description	Qty.
31	90501-000005	Pin, White Zinc	1
32	16070-000001	Governor Support Subassembly, White Zinc	1
33	90305-000008	Hexagon Flange Nut, M6, Black Zinc	3
34	16012-000002	Throttle Valve Returning Spring	1
35	16062-000001	Governor Rod, White Zinc	1
36	16063-000002	Spring, Governor, Ø6 x Ø0.8 x 115	1
37	16072-000002	Governor Support Bolt, M6 x 21, Black Zinc	1
38	16520-000018	Air Guide, Engine Fan, White Zinc	1
39	90001-000017	Hexagon Flange Bolt, M6 x 10, Black Zinc	5
40	11310-000026	Crankcase Subassembly	1
41	90740-000002	Clamp 1	1
42	19340-000006	Lower Shield, White Zinc	1
43	90001-000024	Hexagon Flange Bolt, M6 x 20, White Zinc	1
44	90685-000017	Clamp 2	2
45	90684-000001	Clip, Ø6 x 10.6 x 130	1
46	28110-000005	Cover, Engine Fan, PMS 109C	1
47	28261-000001	Retainer Ring, Recoil Starter	1
48	28200-000005	Recoil Starter Assembly	1
49	19304-000001	Cylinder Body Shroud	1
50	90001-000019	Hexagon Flange Bolt, M6 x 12, Black Zinc	4
51	90251-000002	Bolts & Washer, M6x18, Black Zinc	3
52	30140-000003	Charging Coil	1
53	90001-000028	Hexagon Flange Bolt, M6 x 28, White Zinc	4
54	30001-000003	Plate, Charging Coil	1
55	90408-000019	Washer, Ø10 x Ø15.8 x 1.5	2
56	11007-000002	Drain Plug Bolt, M10 x1.25 x15, Black Zinc	2
57	13510-000017	Flywheel Subassembly	1
58	30400-000015	Ignition Coil	1
59	90001-000026	Hexagon Flange Bolt, M6 x 25, White Zinc	2
60	19352-000012	Cooling Fan, Engine	1

#	Part Number	Description	Qty.
61	28002-000010	Starter Pulley, White Zinc	1
62	13501-000001	Flywheel Nut, M14 x 1.5, White Zinc	1
63	96003-Z16100-0011	Carburetor Subassembly - See Figure D	1
64	90748-000002	Clamp, Ø10 x 16	1
65	90729-000013	Vent Hose, Ø9.5 x Ø16.8 x 320	1
66	17100-000020	Air Cleaner	1
67	17151-000009	Element, Air Cleaner	1
68	90685-000008	Clamp, Ø10.5 x 1, White Zinc	1
69	30140-000006	Charging Coil	1

CYLINDER HEAD PARTS DIAGRAM

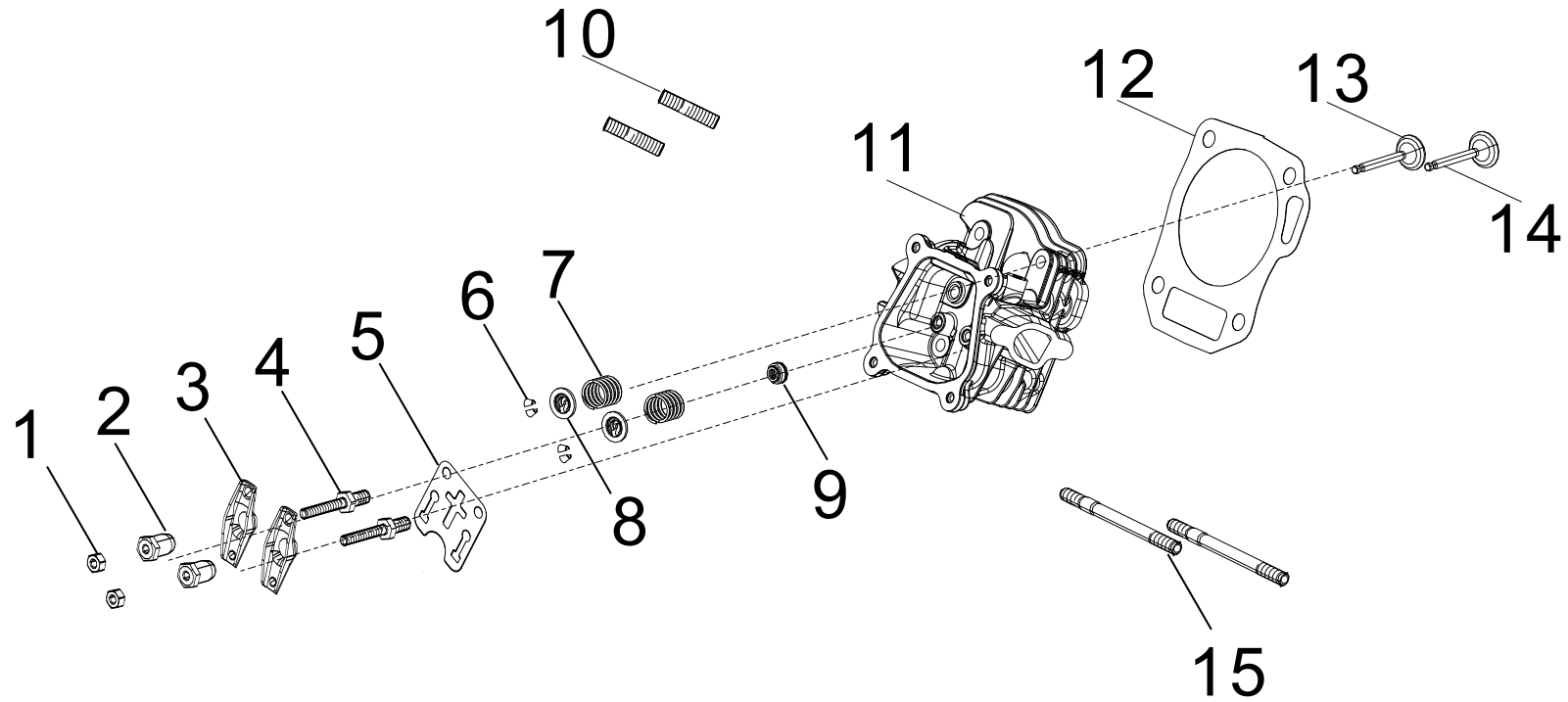


Figure C

CYLINDER HEAD PARTS LIST

#	Part Number	Description	Qty.
1	14312-000001	Valve Lock Nut	2
2	14314-000001	Valve Adjusting Nut	2
3	14311-000001	Valve Rocker Arm	2
4	14313-000001	Valve Adjusting Bolt	2
5	14090-000001	Lifter Stopper Plate Subassembly, White Zinc	1
6	12109-000004	Valve Lock Clamp	4
7	12103-000001	Valve Spring	2
8	12112-000008	Valve Spring Retainer	2
9	12101-000006	Seal Guide	1
10	90203-000001	Stud, M8 x 34, Black Zinc	2
11	12140-000021	Cylinder Head	1
12	12131-000015	Cylinder Head Gasket	1
13	12121-000013	Exhaust Valve	1
14	12111-000010	Intake Valve	1
15	90204-000001	Stud, M6 x 96, Black Zinc	2

CARBURETOR PARTS DIAGRAM

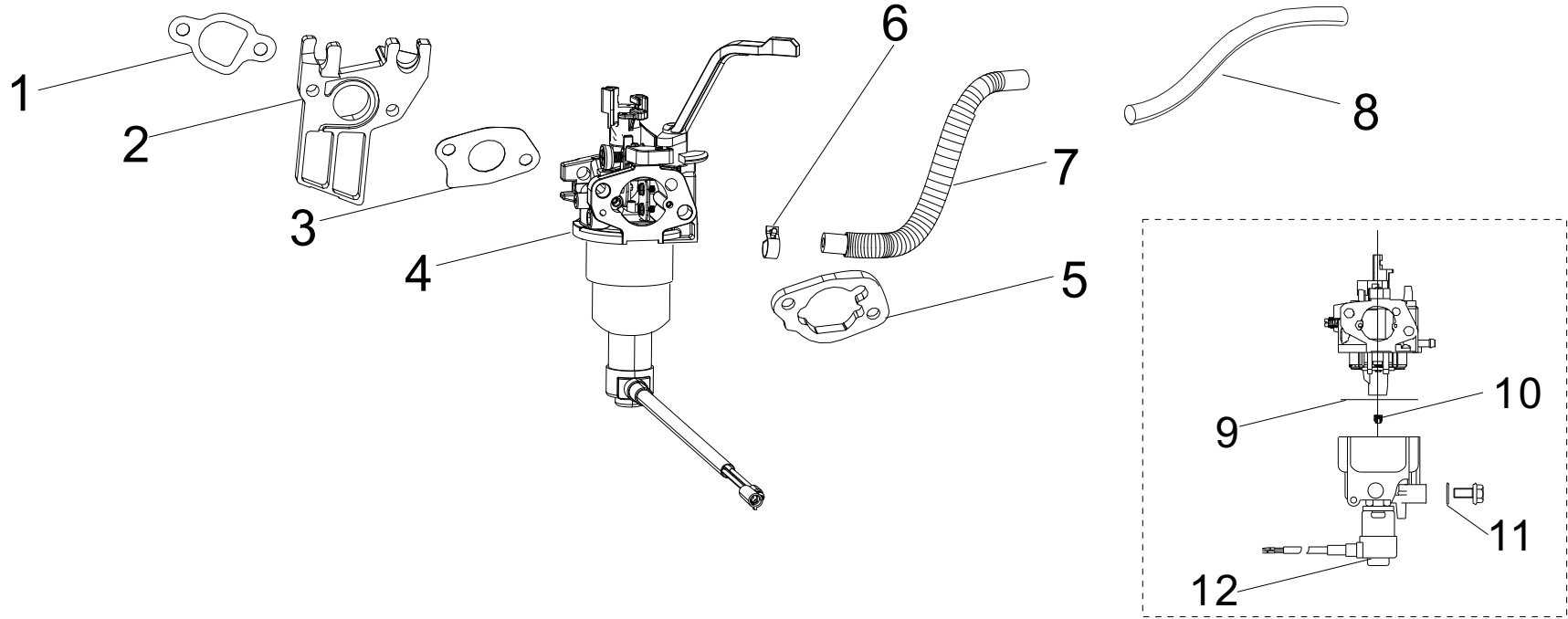


Figure D

CARBURETOR PARTS LIST

#	Part Number	Description	Qty.
1	16002-000002	Carburetor Insulator Gasket	1
2	16003-000001	Carburetor Insulator Plate	1
3	16001-000001	Carburetor Gasket	1
4	16100-000050	Carburetor Assembly	1
5	17001-000002	Air Cleaner Gasket	1
6	90685-000002	Clamp	1
7	90686-000046	Fuel Tube, Ø4 x Ø10 x 415	1
8	30431-000019	Rubber Sleeve, Ø13 x Ø11.5 x 180	1
9	16112-000001	Seal Ring, Float	1
10	16161-000027	Main Jet (77#), Standard	1
11	16161-000025	Main Jet (75#), Altitude 3000-6000 Feet	/
12	16161-000023	Main Jet (73#), Altitude 6000-8000 Feet	/
13	90681-000003	Seal Ring	1
14	16108-000001	Valve, Solenoid	1

ALTERNATOR PARTS DIAGRAM

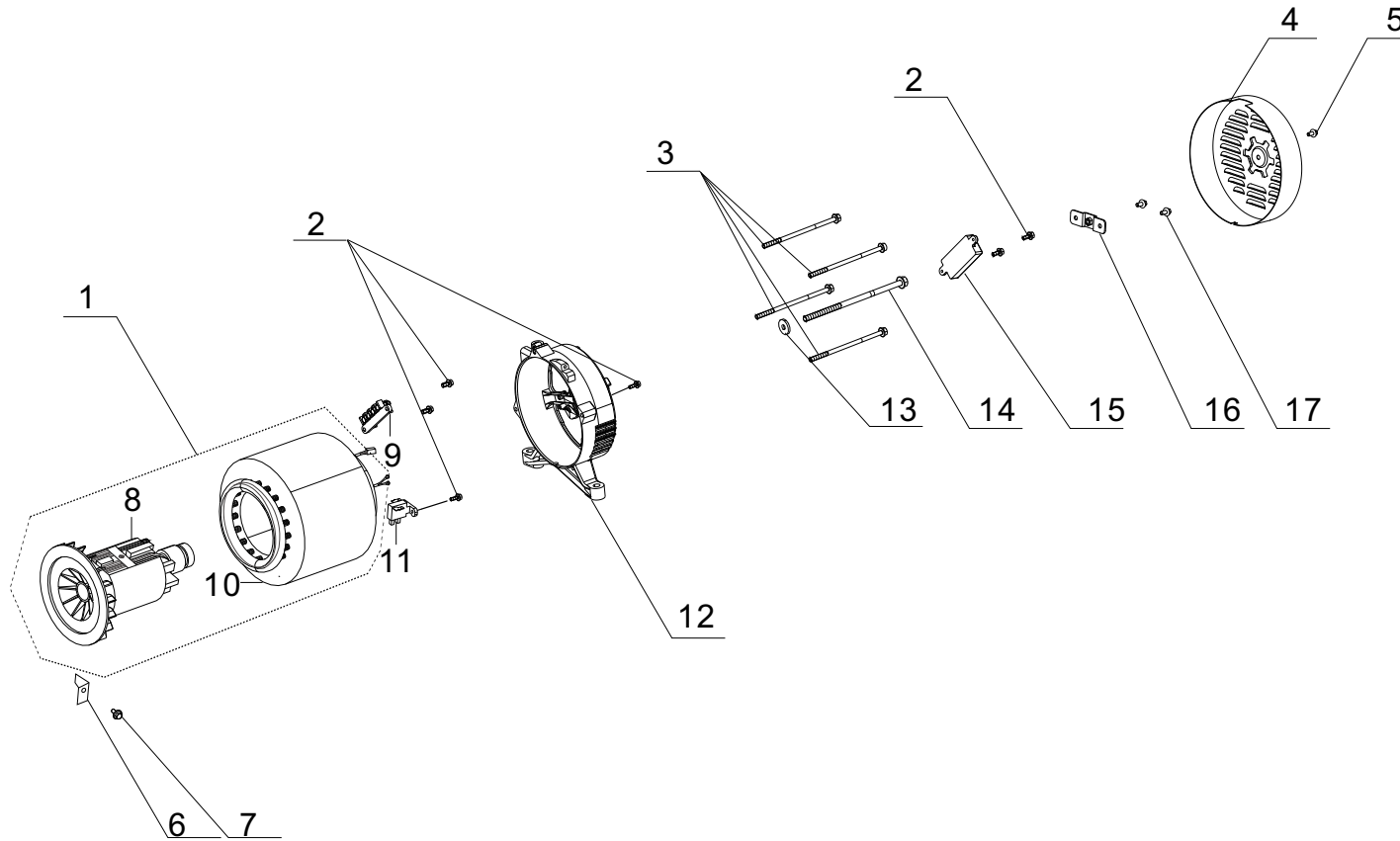


Figure E

ALTERNATOR PARTS LIST

#	Part Number	Description	Qty.
1	31300-000019	Alternator Assembly, AL, Ø160 x 130	1
2	90001-000007	Hexagon Flange Bolt, M5 x 16, White Zinc	6
3	30048-000005	Bolt, M6 x 174, Stator, White Zinc	4
4	30022-000007	Cover, End Housing, PMS 109C	1
5	90007-000001	Hexagon Flange Bolt, M5 x 8, Black Zinc	1
6	30023-000001	Stopper, Motor Right Cover	1
7	90001-000019	Hexagon Flange Bolt, M6 x 12, Black Zinc	1
8	31330-000010	Rotor, AL, Ø160 x 130	1
9	31303-000001	Terminal Block	1
10	31310-000010	Stator Assembly, AL, Ø160 x 130	1
11	31320-000001	Carbon Brush Subassembly	1
12	30021-000004	Motor Bracket	1
13	90408-000009	Flat Washer, Black Zinc	1
14	30049-000005	Bolt, M8 x 230, Rotor, White Zinc	1
15	30060-000008	Rectifier	1
16	51124-000001	Mounting Bracket, White Zinc	1
17	90005-000003	Hexagon Flange Bolt, M5 x 12, White Zinc	2

FUEL TANK PARTS DIAGRAM

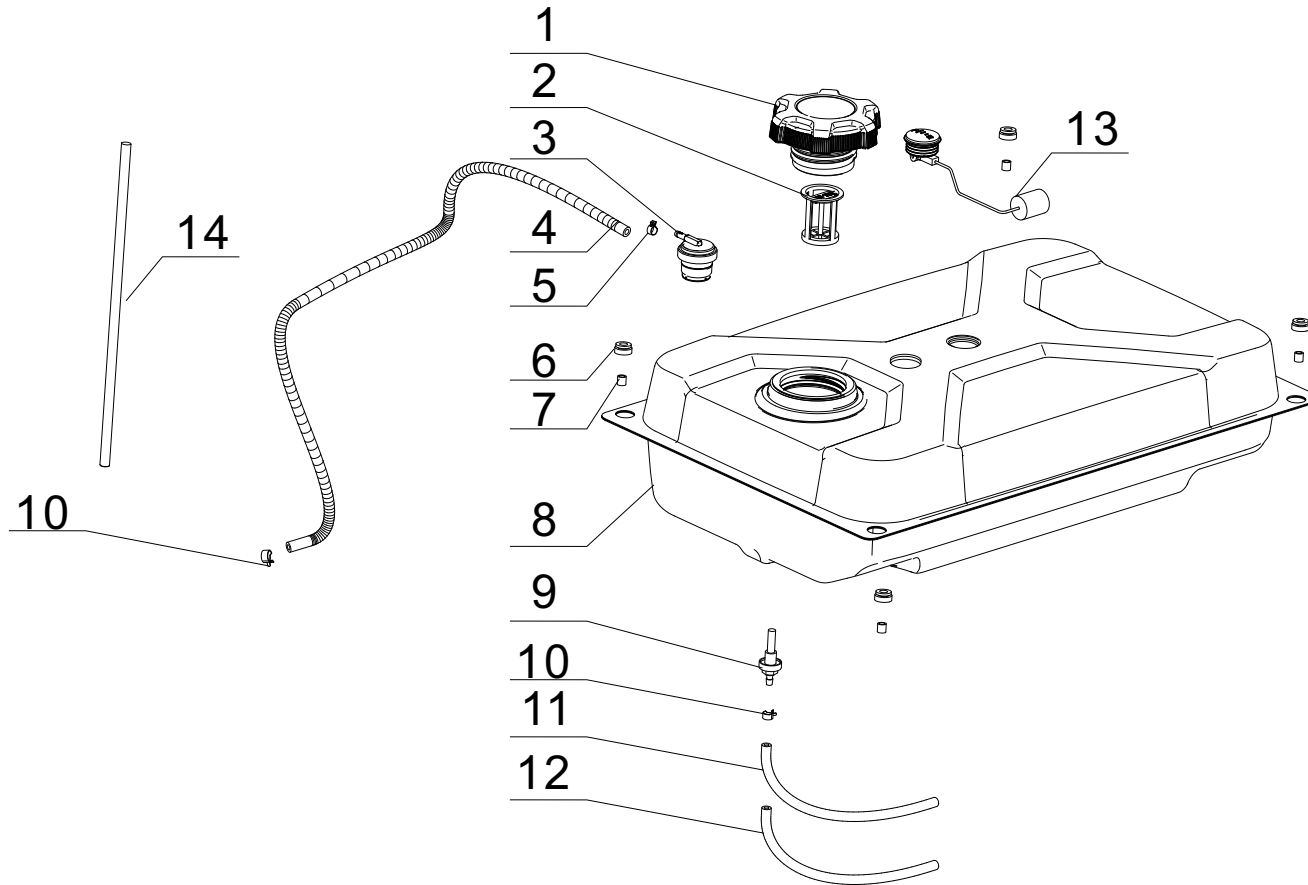


Figure F

FUEL TANK PARTS LIST

#	Part Number	Description	Qty.
1	16730-000010	Fuel Tank Cap	1
2	16652-000009	Fuel Filter	1
3	15150-000003	One Way Valve	1
4	16804-000002	Tube, Ø4.5 × Ø8.5 × 685	1
5	90740-000005	Clamp, Ø9	1
6	16601-000002	Rubber Sleeve, Vibration Mount, Fuel Tank	4
7	90683-000002	Bushing, White Zinc	4
8	16620-000014	Fuel Tank Cap, PMS 109C	1
9	16680-000002	Fuel Tank Fuel Outlet Subassembly	1
10	90685-000010	Clamp, Ø10.5×8×0.8, Black Zinc	2
11	90686-000020	Tube, Ø4 × Ø10 × 250	1
12	30431-000019	Rubber Sleeve, Ø13 x Ø11.5x 180	1
13	37200-000012	Fuel Gauge	1
14	30431-000013	Rubber Sleeve, Ø9.5 x Ø11 x 150	1

CONTROL PANEL PARTS DIAGRAM

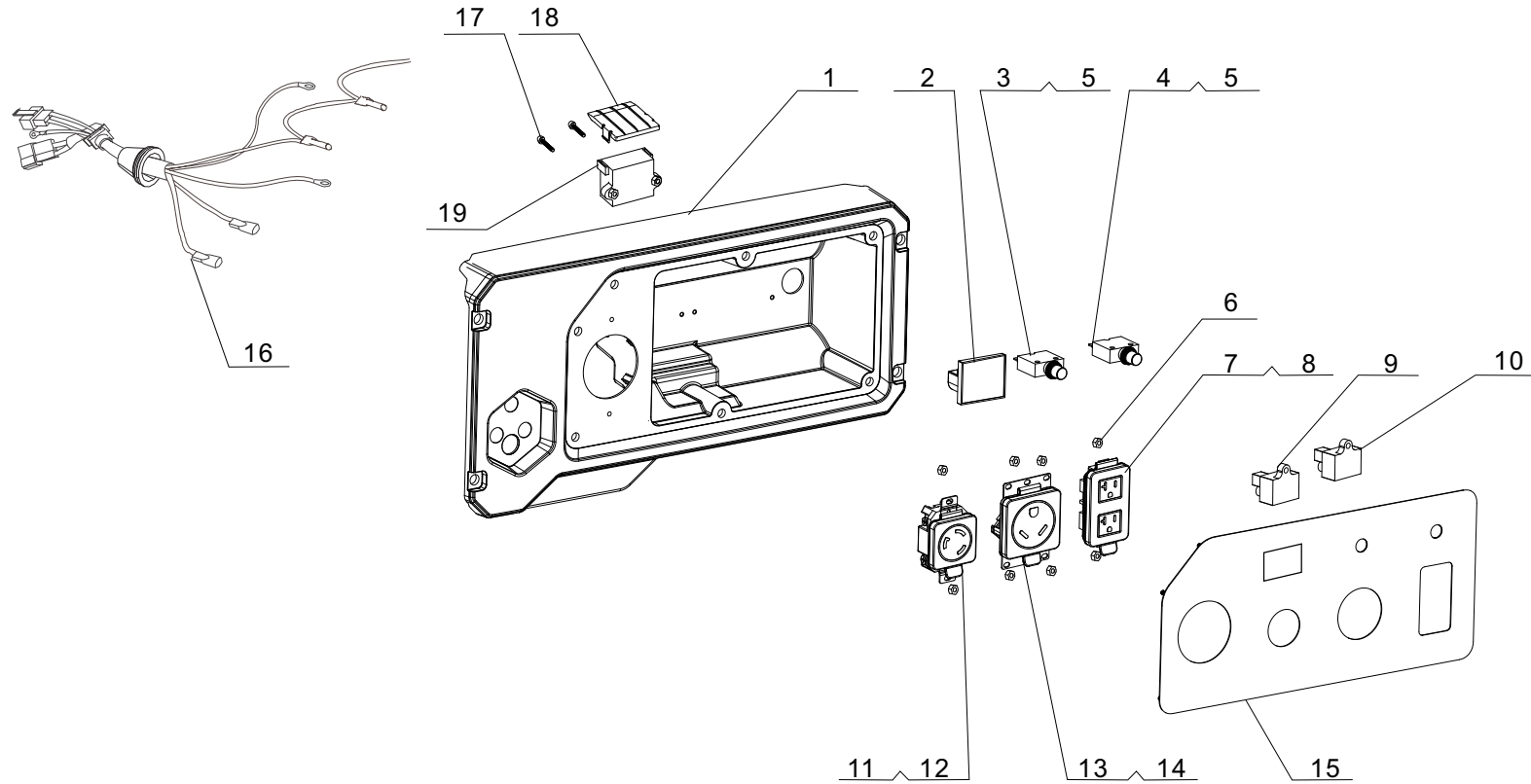


Figure G

CONTROL PANEL PARTS LIST

#	Part Number	Description	Qty.
1	35680-000020	Control Panel Housing	1
2	35632-000012	Intelligent	1
3	31234-000007	30Amp Circuit Breaker, Push Botton, 125/250V	1
4	31234-000003	20Amp Circuit Breaker, Push Botton, 125/250V	1
5	35654-000005	Cover, Push Botton	2
6	90305-000002	Hexagon Flange Nut, M6, White Zinc	8
7	35654-000013	Receptacle Cover, 5-20R	1
8	35614-000017	5-20R Receptacle, 20A, 125V	1
9	30008-000003	Control Module, Ignition Coil, OV0402	1
10	30008-000006	Control Module, Carburator, EV02	1
11	35654-000009	Receptacle Cover,L5-30R	1
12	35614-000005	L5-30R Receptacle,30A,125V	1
13	35654-000011	Receptacle Cover, TT-30R	1
14	35614-000007	TT-30R Receptacle, 30A, 125V	1
15	35650-000024	Control Panel	1
16	35660-000035	Wire harness, Control Panel	1
17	90103-000013	Screw, M5 x 16, White Zinc	2
18	30351-000003	Cover, CO Alarm	1
19	35720-000001	CO Alarm	1

FRAME ASSEMBLY PARTS DIAGRAM

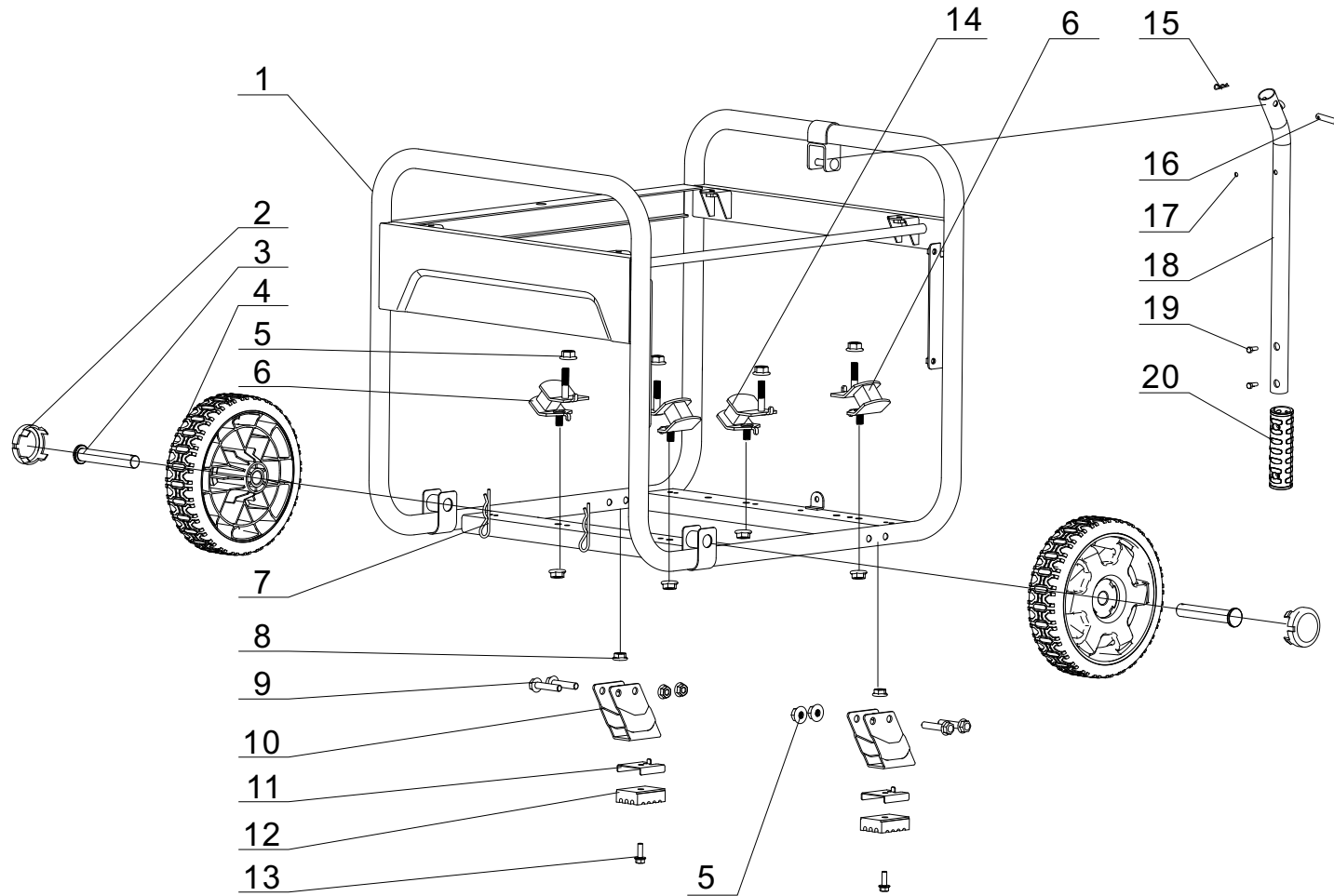


Figure H

FRAME ASSEMBLY PARTS LIST

#	Part Number	Description	Qty.
1	51100-000034	Frame Assembly	1
2	44001-000003	Cover, Hub Decorated, PMS 109C	2
3	44020-000003	Roll Pin, Ø16 x 89.5, Black Zinc	2
4	44110-000002	8in, Wheel	2
5	90305-000011	Hexagon Flange Nut, M8, Black Zinc	12
6	51005-000002	Vibration Mount 1, Frame	2
7	90501-000004	Pin, Black Zinc	2
8	90305-000006	Hexagon Flange Nut, M6, Black Zinc	2
9	90001-000051	Hexagon Flange Bolt, M8 x 40, Black Zinc	4
10	51016-000009	Support Leg, Frame	2
11	24329-000008	Block 1	2
12	51014-000017	Vibration Mount 1, Support Leg	2
13	90001-000025	Hexagon Flange Bolt, M6 x 20, Black Zinc	2
14	51011-000001	Vibration Mount 2, Frame	2
15	90583-000001	R Pin, Ø2 × 35, Black Zinc	1
16	90504-000003	Pin Shaft, Ø8 × 40	1
17	90722-000006	Plug, Handle	1
18	54110-000006	Handle Assembly, Ø25 x 1.2	1
19	90103-000007	Screw, M4 x 16, Black Zinc	2
20	54101-000001	Handle Sheath	1

WIRING DIAGRAM

