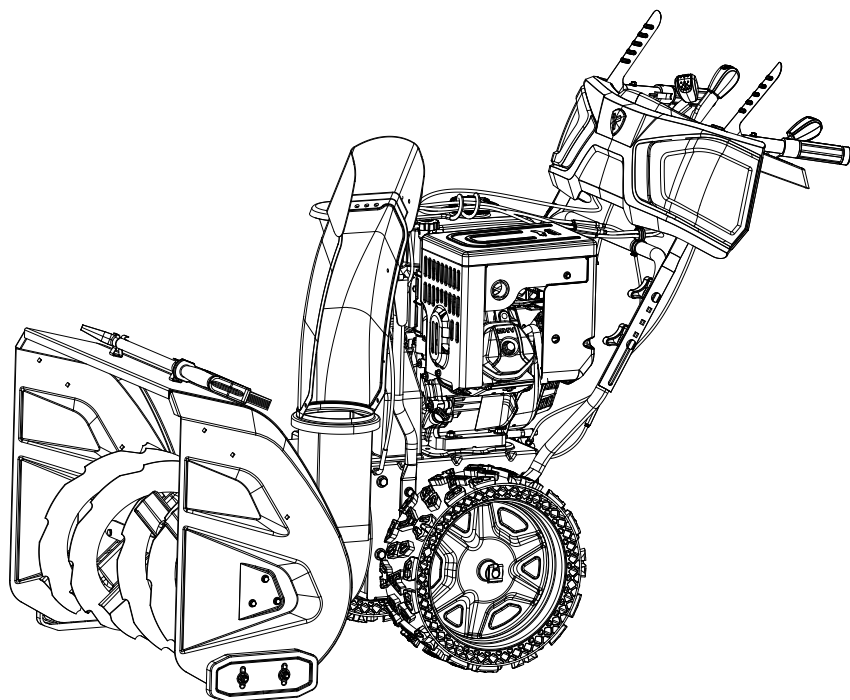




**YARDWORKS**<sup>®/MD</sup>

**MODEL #060-4012-4**



## **PARTS INFORMATION**

**SNOWBLOWER**

**SERIAL NUMBER RANGE: ALL**



To order replacement parts please call:  
**1-866-523-5218.**

## **TABLE OF CONTENTS**

<b>Snowblower Parts Diagram</b> .....	<b>3</b>
<b>Snowblower Parts List</b> .....	<b>4</b>
<b>Engine Parts Diagram</b> .....	<b>5</b>
<b>Engine Parts List</b> .....	<b>6</b>
<b>Engine Detail Parts Diagram</b> .....	<b>7</b>
<b>Engine Detail Parts List</b> .....	<b>8</b>
<b>Drivetrain Parts Diagram</b> .....	<b>11</b>
<b>Drivetrain Parts List</b> .....	<b>12</b>
<b>Auger Parts Diagram</b> .....	<b>13</b>
<b>Auger Parts List</b> .....	<b>14</b>
<b>Chute Parts Diagram</b> .....	<b>15</b>
<b>Chute Parts List</b> .....	<b>16</b>
<b>Handle Assembly Parts Diagram</b> .....	<b>17</b>
<b>Handle Assembly Parts List</b> .....	<b>18</b>
<b>Wiring Diagram</b> .....	<b>19</b>

# SNOWBLOWER PARTS DIAGRAM

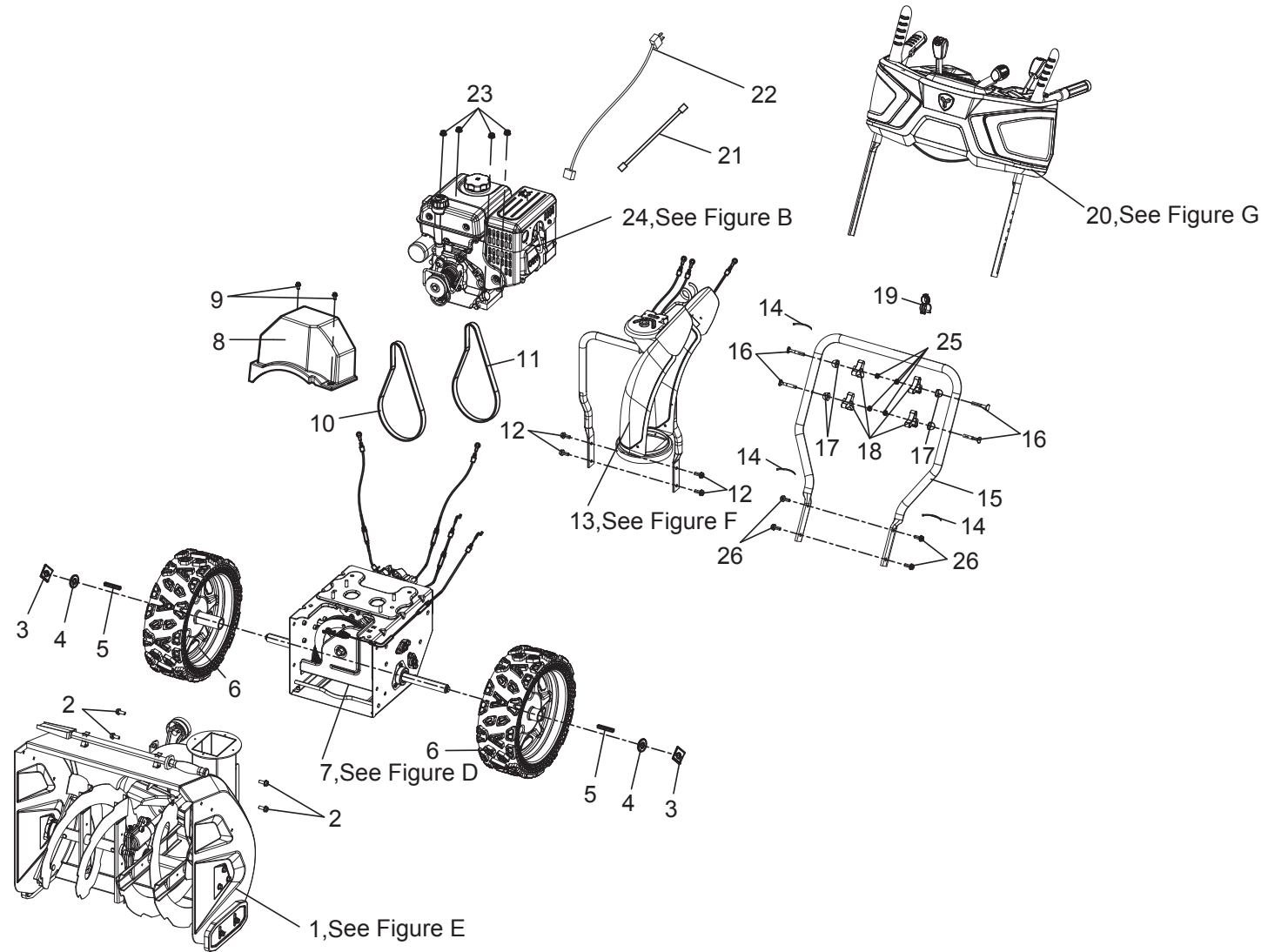


Figure A

**SNOWBLOWER PARTS LIST**

#	Part Number	Description	Qty.
1	Figure E	Auger Assembly	1
2	3091310003	Flange Bolt, M10 × 1.25 × 18, Hexagon, Blue White Zinc	4
3	23012000105000A	Quick Clip , T=1 mm, Black	2
4	2301300006A	Wheel Shaft Washer, T=2, 16.2 × 36, White Zinc	2
5	31013020015000	Thin Flat Key, B4 × 6 × 32, 45#, Black	2
6	2301600009B	Wheel Assembly, 15 × 5, Airless,Rubber	2
7	Figure D	Drivetrain Assembly	1
8	23041000020001A	Belt Protection Cover,HDPE, Black	1
9	23033000485000A	Flange Triangle Self-Tapping Screw, M6 × 16, White Zinc	2
10	23036000045000	Auger Belt Gates, 5LXA985E	1
11	2303600005A	Drive Belt Megadyne HTD 880-5M15	1
12	30133020035000	Flange Triangle Self-Tapping Screw, M8 × 16, White Zinc	4
13	Figure F	Chute Assembly	1
14	2309900012	Nylon Cable Tie, 2.5 × 200	3
15	23062000780265B	Lower Handle, Black	1
16	30913090085000	Half-Round Head Square Neck Bolt, M8 × 50, Blue White Zinc	4
17	21061000110301A	Curved Washer	4
18	21061000400301A	Rotating Knob, Black	4
19	23061000490301A	Cord Clamp, Black	1
20	Figure G	Handle Assembly	1
21	23089000025000A	Power Outlet Wire	1
22	23089000035000A	AC Start Line, 1830 mm	1
23	30323060045000	Flange Locking Nut, M10, Hexagon, Blue White Zinc	4
24	Figure B	Engine Assembly	1
25	30313060025000	Hexagon Nut, M8, Blue White Zinc	4
26	30913070165000	Flange Bolt, M8 × 16, Hexagon, Blue White Zinc	4

# ENGINE PARTS DIAGRAM

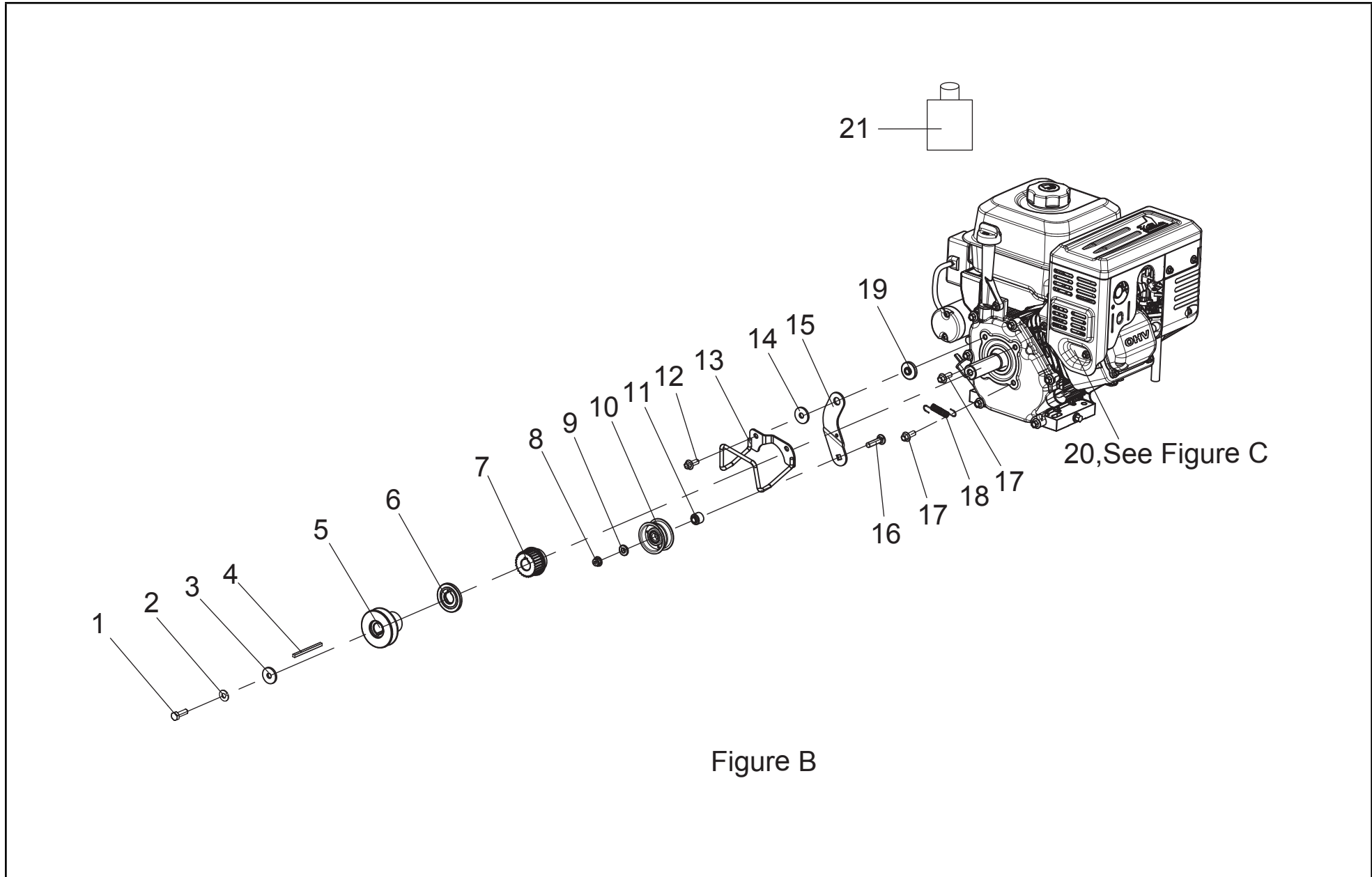
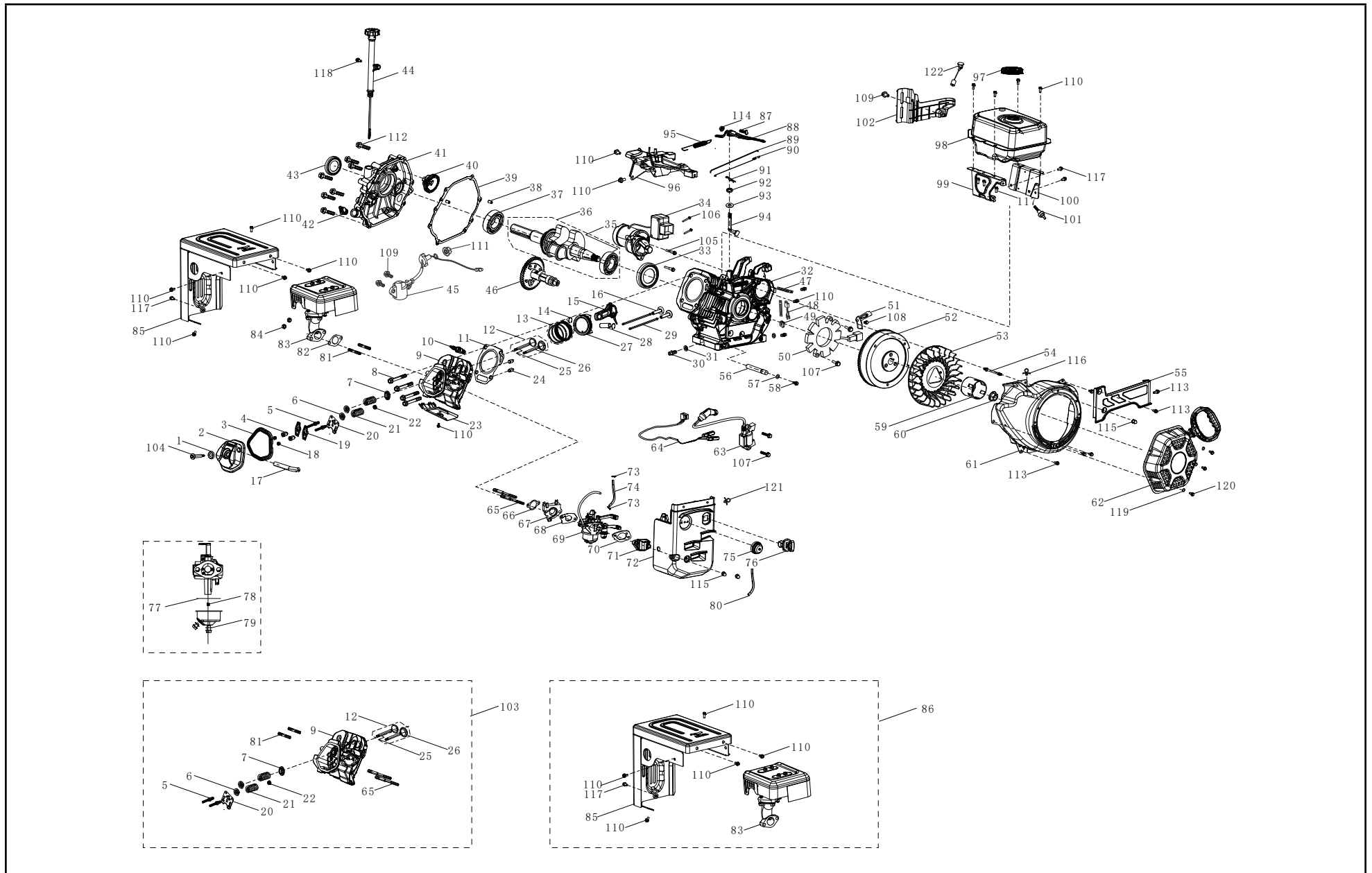


Figure B

**ENGINE PARTS LIST**

#	Part Number	Description	Qty.
1	30913040085000	Hexagon Bolt, M8 × 35, Blue White Zinc	1
2	3052301002	Spring Washer, 8, 65Mn, Black Zinc	1
3	23032000335000A	Thickened Big Washer, Ø8.2 × Ø30 × 3.7, White Zinc	1
4	31013010075000	Flat Key, B7 × 7 × 60, Black	1
5	2303400006A	Small Belt Pulley, Black	1
6	2303400005A	Small Synchronous Pulley Side Plate	1
7	2303400004A	Small Synchronous Pulley	1
8	30323060035000	Flange Locking Nut, M8, Hexagon, Blue White Zinc	1
9	23034000565000A	Shaft Sheath (Thin), Small Tension Pulley, 18 × 6	1
10	23034000665000A	Small Tension Pulley, Ø55 × 22.6	1
11	2303400003A	Shaft Sheath, Small Tension Pulley	1
12	23093000205000A	Hexagon Bolt, 30 mm, 5/16" (24UNF-2A), White Zinc	1
13	23093000270001A	Belt Guide Assembly, 88.5 x 100, Black	1
14	30512050025000	Big Washer, Ø8, Blue White Zinc	1
15	23032001175000A	Small Tensioning Plate, T=3, 108.5 × 46.7	1
16	3091309007	Half-Round Head Square Neck Bolt, M8 × 45, White Zinc	1
17	23093000175000A	Hexagon Flange Bolt, 20 mm, 5/16" (24UNF-2A), Black Zinc	2
18	2309800001A	Small Tension Pulley Spring, Ø1.5 × Ø11.5 × 56.5, White Zinc	1
19	23034000595000A	Small Tensioning Plate Cushion, 308 × 8	1
20	2030100350A	Engine R300S, 301CC	1
21	2309900016	Engine Oil	1

# ENGINE DETAIL PARTS DIAGRAM



## ENGINE DETAIL PARTS LIST

#	Part Number	Description	Qty.
1	12034-Z080110-0091	Cylinder Head Cover Gasket Subassembly, Blue White Zinc	1
2	12410-Z310110-01A0	Cylinder Head Cover Subassembly, Blue White Zinc	1
3	12004-Z080110-0001	Cylinder Head Cover Gasket	1
4	14314-Z010110-0000	Valve Adjusting Nut	2
5	14313-Z010110-0000	Valve Adjusting Bolt	2
6	12112-Z080110-0000	Valve Spring Retainer	2
7	12105-Z080110-0000	Valve Spring Seat	1
8	12003-Z080110-00A0	Cylinder Head Bolt, M10 × 80	4
9	12140-Z0S0311-0B00	Cylinder Head Subassembly	1
10	30010-Z010110-0000	Spark Plug, F6RTC	1
11	12131-Z0S0110-0000	Cylinder Head Gasket	1
12	12110-Z0S0110-0000	Valves Set	1
13	13200-Z730110-0099	Piston Rings Set	1
14	13122-Z100110-0000	Piston Pin Clip	2
15	13010-Z100120-00A0	Connecting Rod	1
16	14081-Z080110-0000	Valve Lifter	2
17	17004-Z520111-0001	Breather Tube, Ø10.4 × Ø15, NBR+CSM	1
18	14312-Z010110-0000	Valve Lock Nut	2
19	14311-Z080110-0000	Valve Rocker	2
20	14090-Z080110-0000	Lifter Stopper Plate Subassembly, Blue White Zinc	1
21	12103-Z080110-0000	Valve Spring	2
22	12101-Z080110-0000	Seal Guide	1
23	19304-Z110110-0001	Cylinder Body Shroud, Blue White Zinc	1
24	90502-1220-00A0	Pin, 12 × 20	2
25	12121-Z0S0110-0000	Exhaust Valve	1
26	12111-Z0S0110-0000	Inlet Valve	1
27	13111-Z0S0110-0000	Piston	1
28	13121-Z0S0110-0000	Piston Pin, Ø20 × 55	1
29	14070-Z100110-0000	Valve Rod	2

#	Part Number	Description	Qty.
30	11007-Z080110-0001	Drain Plug Bolt, M12 × 1.5 × 18, Blue White Zinc	2
31	90412-Z080110-00A0	Washer, Ø12 × Ø21 × 2	2
32	11310-Z0S0111-0B00	Crankcase Subassembly	1
33	90682-Z520310-0000	Oil Seal, Ø40 × Ø52 × 9	1
34	30300-Z520510-0001	Starting Motor Assembly	1
35	90547-6208-00A1	Bearing, 6208 P5C3	1
36	13300-Z0S0110-RB00	Crankshaft Assembly	1
37	90548-0207-00	Bearing, 6207 P6	1
38	90502-0812-00A0	Pin, 8 × 12	2
39	11001-Z100220-0000	Crankcase Gasket	1
40	16400-Z100110-00A0	Governor Gear Assembly	1
41	11411-Z520210-0B00	Crankcase Cover	1
42	15030-Z080130-L401	Engine Oil Plug Subassembly, O-Type	1
43	90682-Z520210-0000	Oil Seal, Ø35 × Ø52 × 7	1
44	15010-Z520212-L401	Oil Dipstick Subassembly	1
45	37060-Z080120-0000	Engine oil Sensor, W/O Nut	1
46	14200-Z520210-0009	Camshaft Assembly	1
47	90684-Z030120-0001	Clip	2
48	37050-Z010210-0001	Oil Protector, Blue White Zinc	1
49	28101-Z080110-0001	Rubber Plug, Black	1
50	30140-Z520810-0000	Charging Coil	1
51	30001-Z090110-0000	Clamp, Charging Coil	1
52	13510-Z110110-0000	Flywheel Subassembly	1
53	19352-Z100120-00A0	Impeller	1
54	90204-Z520110-0001	Stud, M6 × 92.8	1
55	16614-Z520210-0001	Fuel Tank Shield	1
56	11011-Z1S0110-0001	Oil Drain Tube	1
57	90408-Z010510-00A0	Washer, Ø10 × Ø15.8 × 1.5	1
58	11007-Z010110-0001	Drain Plug Bolt, M10 × 1.25 × 15, Blue White Zinc	1
59	28002-Z100210-0000	Starter Pulley, Blue White Zinc	1



#	Part Number	Description	Qty.
60	13501-Z080110-00A0	Flywheel Nut, M16 × 1.5, Blue White Zinc	1
61	28110-Z110310-HL00	Shroud	1
62	28200-Z520210-HL00	Recoil Starter Assembly	1
63	30400-Z090210-0001	Ignition Coil	1
64	30423-Z520510-00A0	Ignition Coil Stop Engine Wire	1
65	90204-Z080320-0301	Stud, M6/8 × 127	2
66	17002-Z100110-0000	Inlet Gasket	1
67	16003-Z520110-0001	Carburetor Insulator Plate	1
68	16001-Z520110-0000	Carburetor Gasket	1
69	16100-Z0S0210-R9A1	Carburetor Assembly	1
70	17001-Z520210-0000	Air Cleaner Gasket	1
71	16116-Z520210-0001	Oil Cup	1
72	35610-Z520510-0001	Control Panel Subassembly	1
73	90740-Z010210-0001	Clamp, Ø7.5, Blue White Zinc	2
74	90686-Z010110-0001	Fuel Pipe, Ø4.5 × Ø8.5 × 200	1
75	16210-Z330310-0001	Primer Bulb	1
76	35540-Z1A0110-0000	Stop Engine Switch Subassembly	1
77	90681-Z010610-0000	Seal Ring	1
78	16161-Z151910-00A1	Main Jet, Standard	1
	16161-Z151710-00A1	Main Jet, Altitude 3000-6000 Feet	
	16161-Z151510-00A2	Main Jet, Altitude 6000-8000 Feet	
79	16112-Z080110-0000	Seal Ring	1
80	16214-Z550110-0000	Tube Jacket, Primer Bulb	1
81	90204-Z100320-0301	Stud, M8 × 54, Black Zinc	2
82	18001-Z080310-00A0	Exhaust Outlet Gasket	1
83	18100-Z520210-H3A0	Muffler Assembly	1
84	90332-Z1F0110-0100	Lock Nut, M8, Blue White Zinc	2
85	18140-Z520511-HL00	Scald Resistant Cover	1
86	CMP-XSQ-006	Muffler Assembly Kit	1

#	Part Number	Description	Qty.
87	16072-Z010110-0001	Governor Support Bolt, M6 × 21, Blue White Zinc	1
88	16070-Z100120-0001	Governor Support Subassembly, Blue White Zinc	1
89	16062-Z100110-0001	Governor Rod, Blue White Zinc	1
90	16012-Z080110-0000	Throttle Valve Returning Spring	1
91	90501-Z010110-0001	Pin, Blue White Zinc	1
92	90682-Z100210-0001	Oil Seal, Ø8 × Ø14 × 4	1
93	90412-Z080210-00A0	Washer, Ø8.4 × Ø19.5 × 0.8	1
94	16061-Z100110-0000	Governor Arm	1
95	16063-Z4R0110-0101	Spring, Governor, Blue White Zinc	1
96	16520-Z520210-0102	Throttle Control Assembly	1
97	16730-Z1S0110-Q201	Fuel Tank Cover	1
98	16620-Z520510-HLA0	Fuel Tank	1
99	16612HZ520130-0100	Fuel Tank Mounting Frame	1
100	16618HZ520111-H300	Fuel Tank Rear Mounting Frame	1
101	16680-Z010110-0001	Fuel Tank Oil Outlet Subassembly	1
102	16617-Z520120-0001	Fuel Tank Shield 2	1
103	CMP-QGT-004	Cylinder Head Assembly Kit	1
104	12032-Z080110-0101	Cylinder Head Cover Bolt, Blue White Zinc	1
105	90001-0835-01A0	Hexagon Flange Bolt, M8 × 35, Blue White Zinc	2
106	90103-0455-5301	Screw, M4 × 55, Black Zinc	2
107	90001-0628-01A0	Hexagon Flange Bolt, M6 × 28, Blue White Zinc	4
108	90001-0608-01A0	Hexagon Flange Bolt, M6 × 10, Blue White Zinc	1
109	90001-0616-0109	Hexagon Flange Bolt, M6 × 16, Blue White Zinc	3
110	90001-0612-0101	Hexagon Flange Bolt, M6 × 12, Blue White Zinc	14
111	90305-Z010210-0101	Hexagon Flange Nut, M10, Blue White Zinc	1
112	90001-0840-0101	Hexagon Flange Bolt, M8 × 40, Blue White Zinc	7
113	90007-0612-A102	Hexagon Flange Bolt, M6 × 12, Blue White Zinc	6
114	90305-0600-3101	Hexagon Flange Nut, M6, Blue White Zinc	1
115	90314-Z130210-0501	Nut, M6 × 17, Chrome Plated	3

#	Part Number	Description	Qty.
116	90684-Z080110-0001	Clip	1
117	90001-0820-0102	Hexagon Flange Bolt, M8 × 20, Blue White Zinc	6
118	90001-0620-0101	Hexagon Flange Bolt, M6 × 20, Blue White Zinc	1
119	90408-0600-E1	Washer	3
120	90001-0608-01	Hexagon Flange Bolt, M6 × 8, Blue White Zinc	3
121	90684-Z030210-0000	Clip	1
122	37200-Z1S0110-00A0	Leveler Assembly	1

# DRIVETRAIN PARTS DIAGRAM

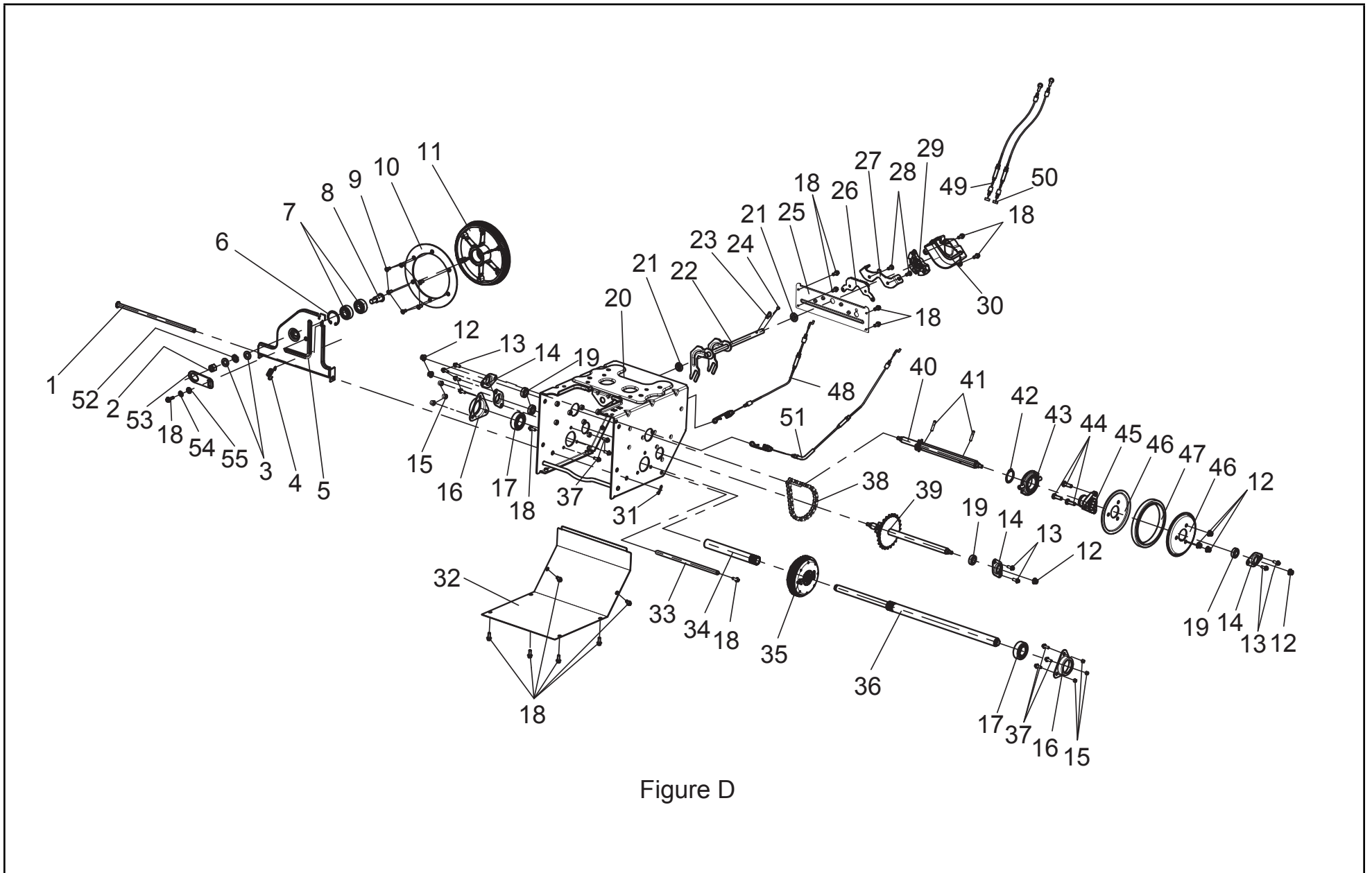


Figure D

## DRIVETRAIN PARTS LIST

#	Part Number	Description	Qty.
1	23033000385000A	Housing Connecting Shaft 2, 10 × 320, Black	1
2	30313090015000	Hexagon Locking Nut, M12, White Zinc	1
3	A26800703901	Flat Washer, Ø13.5 × Ø24 × 2.5, Blue White Zinc	2
4	23038000125000C	Extension Spring, Ø8.5 × 44.9, 65Mn	1
5	23035000395000B	Friction Disc Bracket, T=2.5, 279 × 220.5, Black	1
6	30413010015000	Elastic Circlips, 40, 65Mn,Black	1
7	30613010075000	Bearing, 6203RS	2
8	23033000395000B	Large Synchronous Pulley Shaft, M12 × 52.2, Black	1
9	30213010015000	Cross Recessed Countersunk Head Screw, M5 × 12, Blue White Zinc	6
10	23032000795000A	Large Synchronous Pulley Side Plate, 197 × 8	1
11	23034000505000A	Large Synchronous Pulley, 197 × 21	1
12	30323060035000	Flange Locking Nut, M8, Hexagon, Blue White Zinc	7
13	30133020035000	Flange Triangle Self-Tapping Screw, M8 × 16, White Zinc	8
14	23052000205000A	Bearing Support, T=1.5	4
15	30313090035000	Hexagon Locking Nut, M6, Blue White Zinc	6
16	23052000105000A	Pressing Plate, Bearing, T=1.5 mm	2
17	A26800409101	Bearing, Ø25.4 × Ø52 × 15	2
18	23033000485000A	Flange Triangle Self-Tapping Screw, M6 × 16, White Zinc	15
19	3061301012	Bearing, Ø12 × Ø28 × 7	4
20	23032001440027C	Housing Assembly, Cool Grey 11C	1
21	23031000210001A	Shift Fork Rod Bushing,PA6+GF30	2
22	23032000655000A	Gear Shift Fork Assembly, 267.5 × 134, Black Zinc	1
23	23093000055000A	R Type Plug Pin, 2 × 26.2 × 7.9, White Zinc	1
24	30813010025000	Open Pin, 2 × 20,White Zinc	1
25	23032000590027A	Housing Fixed Plate, 282 × 85	1
26	23041000040001A	Waterproof Sheet, PA6+30GF, Black	1
27	23032000615000B	Speed Adjustment Cable Support, T=3, 146.4 × 45.5	1

#	Part Number	Description	Qty.
28	A26800307801	Self-Tapping Locking Screw, Trigonodont, M6 × 12, Blue White Zinc	2
29	23061000470001A	Shift Fork Steering Unit, PA6+GF30	1
30	23041000030001A	Shift Fork Cover, HDPE	1
31	22698000065000A	B Pin, White Zinc	1
32	23032000510027A	Big Bottom Plate, 6 × 280 × 188	1
33	23063000455000A	Gear Box Locking Lever, 10 × 280, Zinc, Blue White	1
34	2306200104A	Wheel Shaft Bushing Assembly, 180 × 25	1
35	23013000105000A	GT Differential Mechanism	1
36	2301300007A	Wheel Shaft, 591.4 × 17	1
37	30913050015000	Hexagon Flange Bolt, M6 × 12, Blue White Zinc	6
38	31119010015000	Chain, 085-1-32	1
39	23065000015000B	Sprocket Shaft Welded Assembly, 323 × 106	1
40	23033000365000B	Wheeled Six Party Shaft, 19 × 323, 40Cr, Black	1
41	30823040015000	Elastic Column Pin, 3 × 30, Black	2
42	30423010065000	Shaft Elastic Circlip , Ø35, Black	1
43	2303200062A	Shifting Fork Riveting, 101 × 75 × 17	1
44	A26800600601	Hexagon Bolt, M8 × 22, Black Zinc	3
45	23032000965000B	Wheeled Six Party Sleeve, 35 × 42	1
46	23032000665000A	Friction Wheel Clamp, T=2, 136.5 × 10.2, White Zinc	2
47	23036000225000A	Friction Wheel Rubber Ring, 147 × 17.2	1
48	23068000475000A	Driving Cable	1
49	23068000455000A	Speed Adjustment Cable	1
50	23068000445000A	Speed Adjustment Cable, 760 mm	1
51	23068000415000A	Auger Cable	1
52	3052302001	Light spring washer 12, Ø12.4 × Ø19.4 × 2.5, Blue White Zinc	1
53	2303200169	Nut Lock Plate, Black	1
54	3052301003	Spring Washer Ø6, Black Zinc	1
55	3051303003	Flat Washer Ø6, Blue White Zinc	1

# AUGER PARTS DIAGRAM

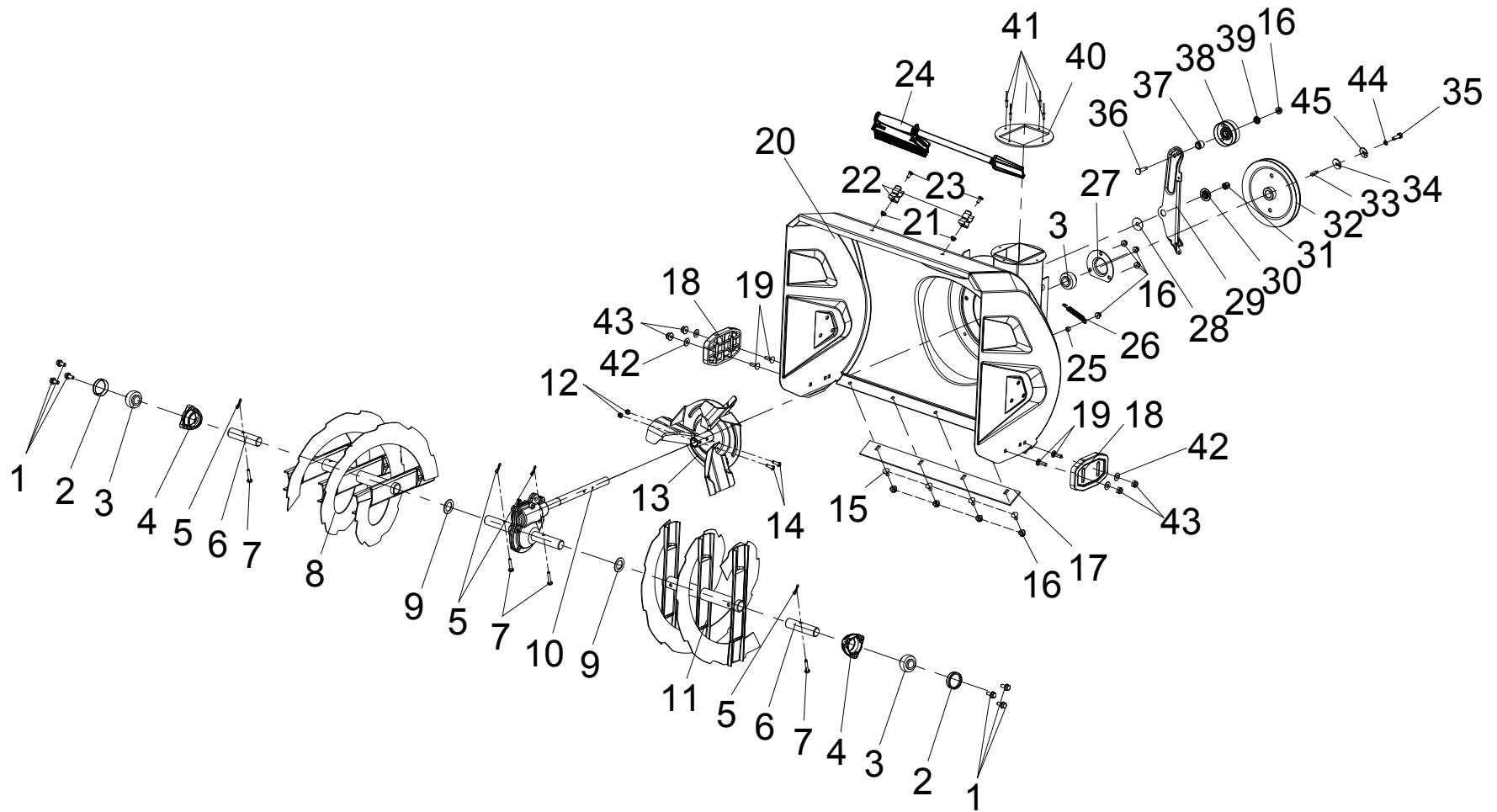


Figure E

## AUGER PARTS LIST

#	Part Number	Description	Qty.
1	30913070185000	Hexagon Flange Bolt, M8 × 20, Blue White Zinc	6
2	2309100006A	Spherical Bearing Sheath	2
3	30693010055000	Outer Spherical Ball Bearing, 47 × 20 × 31	3
4	2309400003A	Spherical Bearing Support	2
5	23093000195000B	B Pin, White Zinc	4
6	23053000245000A	Auger Connecting Shaft, 100 × 25.4, Black	2
7	23053000055000A	Shear Pin, Ø8 × 42.5, Blue White Zinc	4
8	23055000240243A	Right Auger Assembly, 27"	1
9	23052000215000A	Auger Shaft Washer, 25.6 × 40 × 2	2
10	2300200033	Worm Gear Box Assembly	1
11	23055000230243A	Left Auger Assembly, 27", 355 × 267 mm	1
12	30313030015000	Hexagon Locking Nut, M6, Black Zinc	2
13	23055000170243B	Fan Impeller Assembly, 35#	1
14	30223010055000	Hexagon Socket Head Cap Screw, M6 × 40, Black Zinc	2
15	30913090015000	Half-Round Head Square Neck Bolt, M8 × 16, Blue White Zinc	4
16	30323060035000	Flange Locking Nut, M8, Hexagon, Blue White Zinc	9
17	2303200142A	Snow Shovel Plate, 27", 675 × 50 × 4 mm	1
18	23041000150243A	Skid Shoes	2
19	30913090045000	Half-Round Head Square Neck Bolt, M8 × 25, Blue White Zinc	4
20	23035000540027B	Big Auger Housing Assembly, 27", 682.5 × 563 × 584.5 mm, Cool Gray 11C	1
21	30323060015000	Flange Locking Nut, M6, All Metal Hexagon, Blue White Zinc	2
22	23092000075000A	Chute Tool Bracket, t=1.2, 39.2 × 30.4 × 13, White Zinc	2
23	30913090035000	Half-Round Head Square Neck Bolt, M6 × 16, Blue White Zinc	2
24	2300000007A	Snow Removal (Shovel) Assembly	1

#	Part Number	Description	Qty.
25	2303300002A	Bushing, Ø8 × Ø12 × 7, White Zinc	1
26	2303800001A	Tension Spring, Big Tension Pulley, White Zinc	1
27	23052000125000B	Pressing Plate, Bearing, t=2, Ø95 × 8.5, White Zinc	1
28	23032000675000A	Bushing, 10.5 × 35 × 1, Large Tension Board, White Zinc	1
29	23032000635000B	Large Tension Board, 313.3 × 40, White Zinc	1
30	23034000535000A	Bushing, 35 × 6.1, Large Tension Board	1
31	2105300122A	Hexagon Locking Nut, M10, Blue White Zinc	1
32	23035000055000A	Big auger Pulley, 14 × 189.2 × 21.5, Black	1
33	2303300057A	Special Made Flat Key, 23.5 × 6 × 6, Black	1
34	2303200168	Shaft End Slotted Washer, Ø8.2 x Ø30 x 3.7, White Zinc	1
35	30913040115000	Hexagon Bolt, M8 × 25, Blue White Zinc	1
36	30933010015000	Small Carriage Bolt, M8 × 40, Blue White Zinc	1
37	23034000555000A	Sheath, Large Tension Wheel	1
38	23032000105000C	Large Tension Pulley, Ø66.5 × 36.2, t=1.5	1
39	23034000545000A	Sheath (Thin), Large Tension Wheel ,20 × 6.5	1
40	23071000030001A	Discharge Chute Antifriction Mat, PA6+GF30, Ø162 × 3.5, Black	1
41	30733010025000	Self-Plugging Rivet, 4 × 15	4
42	30512050025000	Big Washer, Ø8, Blue White Zinc	4
43	3031309010	Hexagon Locking Nut, M8, White Zinc	4
44	3052301002	Spring Washer, Ø8, Black Zinc	1
45	2303200167A	Tab Lock washer, Ø8.2 x Ø30 x 0.8, White Zinc Plating	1

# CHUTE PARTS DIAGRAM

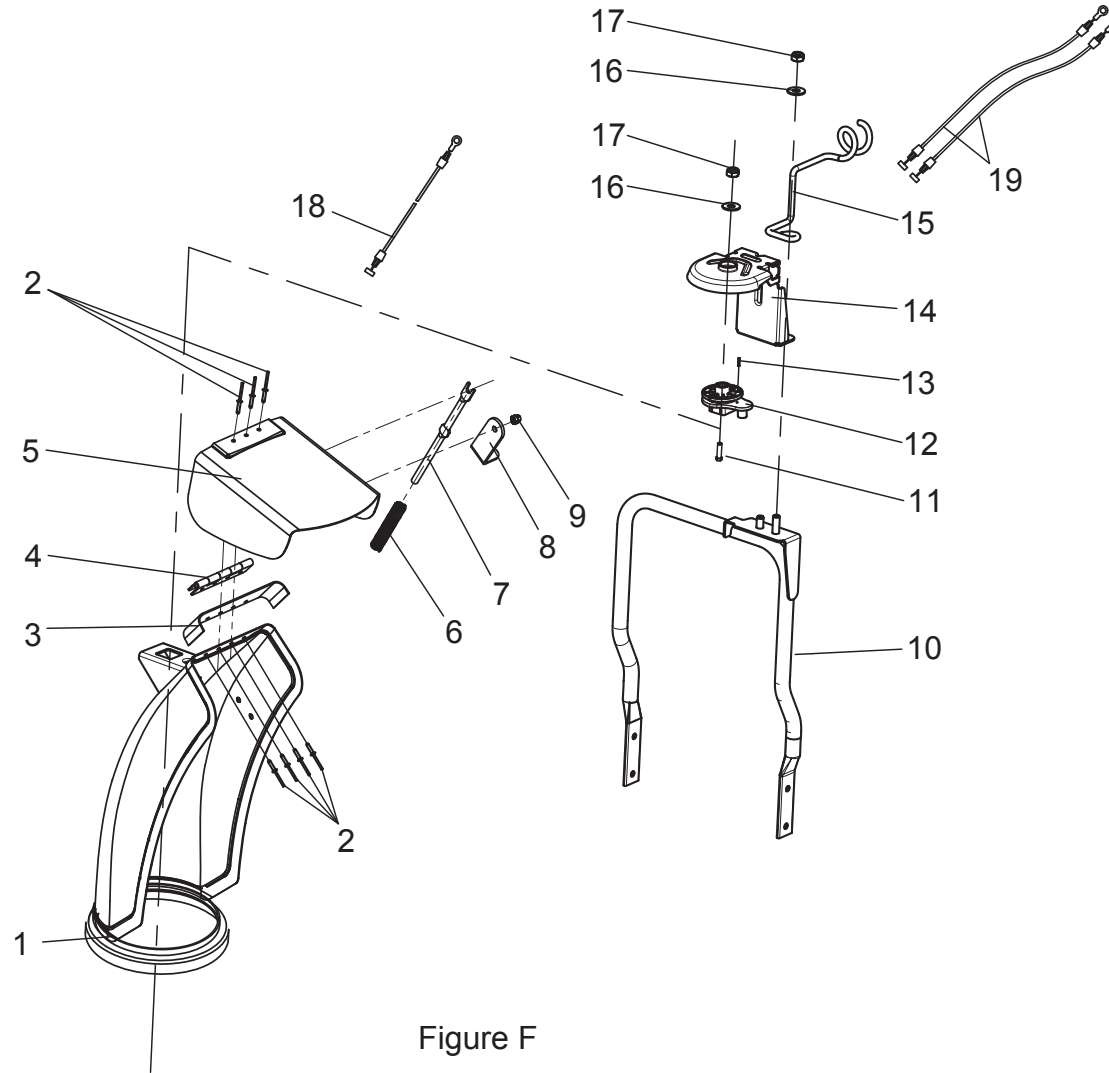


Figure F

## CHUTE PARTS LIST

#	Part Number	Description	Qty.
1	23075000210027A	Chute Assembly, 453 × 167 × 137, Cool Gray	1
2	3073301003	Self-Plugging Rivet, 4 × 10	7
3	23076000105000A	Chute Rubber	1
4	23092000205000A	Hinge, 85 × 22, T=1.5mm, White Zinc	1
5	23075000020027A	Discharge Chute Deflector	1
6	23068000185000A	Pressing Spring, Ø1.5	1
7	23073000145000A	Positioning Rod, Ø8, White Zinc	1
8	23072000105000A	Guy Wire Plate 1, T=3 mm, Black	1
9	30333020025000	Cap Nut, M5, Blue White Zinc	1
10	23075000200265B	Chute Support Arm, 493 × 332 × 43	1
11	30913040175000	Hexagon Bolt, M10 × 40	1
12	23071000240001A	Chute Pivot	1
13	30823040035000	Elastic Column Pin, 1.5 × 16, Black	1
14	23072000140265B	Chute Pivot Cover, T=2.5, 181.5 × 136.5 × 118.9, Black	1
15	23073000165000A	Chute Rotating Cable Support Rod, 208 × 58, White Zinc	1
16	30512050045000	Big Washer, Ø10, Blue White Zinc	2
17	30313090085000	Hexagon Locking Nut, M10, Blue White Zinc	2
18	2306800007A	Discharge Chute Deflector Cable	1
19	23032000755000A	Chute Rotating Cable, 1203 mm	2



# HANDLE ASSEMBLY PARTS DIAGRAM

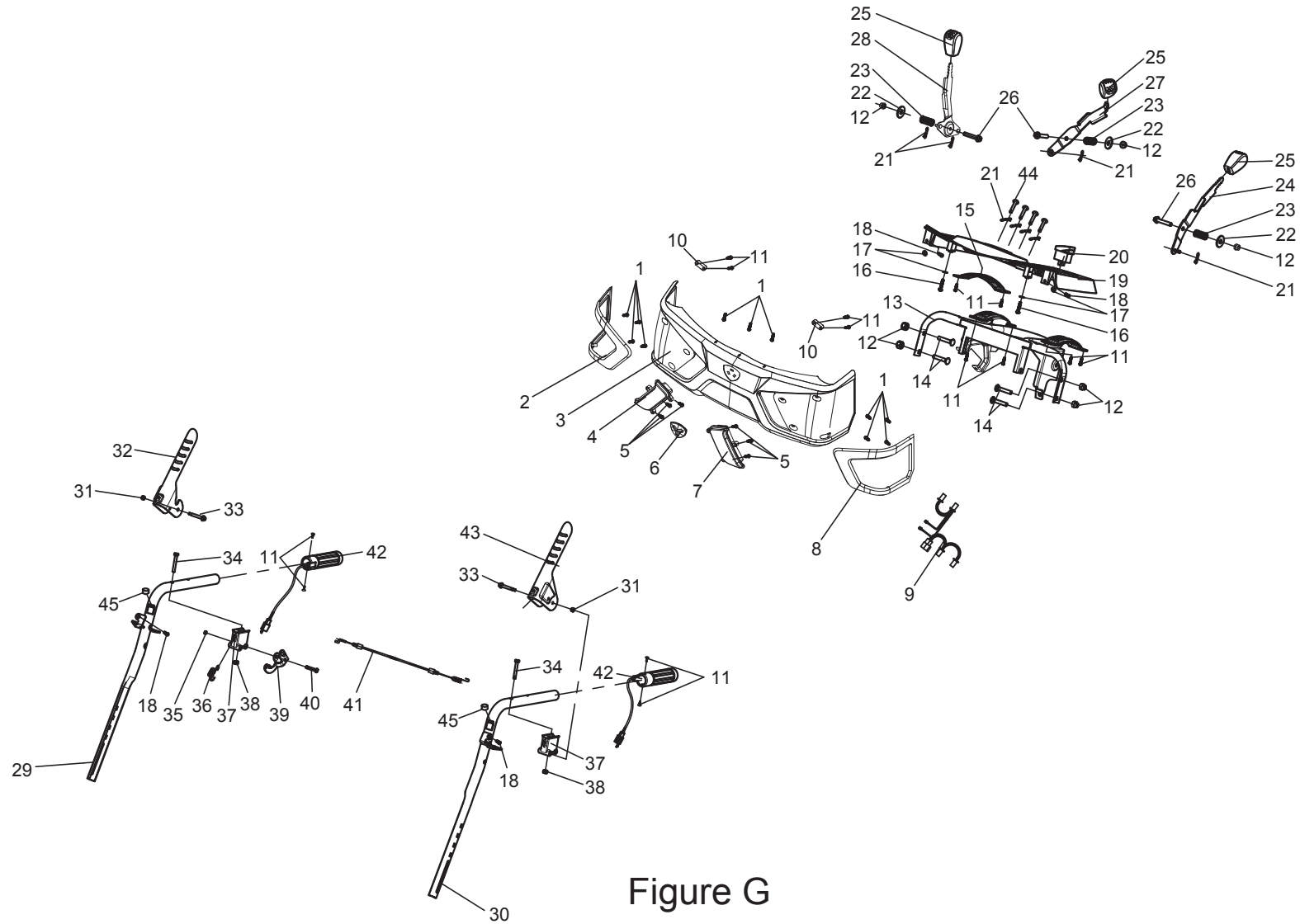


Figure G

## HANDLE ASSEMBLY PARTS LIST

#	Part Number	Description	Qty.
1	30113010265000	Self-Tapping Screw, ST4.2 × 8, Black Zinc	11
2	23041000090243A	Right Decorative Ring	1
3	23041000060027A	Light Panel	1
4	2308900011A	LED Light Assembly, Right	1
5	3011301010	ST Screw, 4 × 16, Black Zinc	6
6	2304100022A	Badge, Chrome	1
7	2308900010A	LED Light Assembly, Left	1
8	23041000080243A	Left Decorative Ring	1
9	2308100003A	Panel Wiring Harness, 0.75mm <sup>2</sup> × 2 × 100	1
10	2281100002B	Cable Pressing Plate	2
11	3011301009	ST Screw, 4 × 12, Black Zinc	14
12	30313090025000	Hexagon Locking Nut, M8, White Zinc	7
13	23065000260265A	Panel Fixed Plate Assembly, 463 × 166 × 210	1
14	30913090095000	Half-Round Head Square Neck Bolt, M8 × 40, Blue White Zinc	4
15	23062000830265A	Front Adjustment Plate, 165 × 35	1
16	3011301006	Self Driving Screw, ST5 × 16, Blue White Zinc	2
17	30512050035000	Big Washer, Ø5, Blue White Zinc	4
18	30113010125000	Self-Tapping Screw, ST4.8 × 12, Black Zinc	4
19	23041000070027A	Top Panel	1
20	20114000605000A	Rocker Switch, 125V, 20A	1
21	23093000195000B	B Pin, White Zinc	8
22	30512050025000	Big Washer, Ø8, Blue White Zinc	3
23	23068000135000B	Gear Pressing Spring, Ø14.5 × 33.75, White Zinc	3
24	23063000525000A	Left Adjustment Lever, T=3	1
25	23066000135000A	Handle, 41 × 41 × 63, Black	3
26	20313000995000A	Hexagon Flange Bolt, M8 × 50, Blue White Zinc	3
27	23032001045000A	Front Adjustment Lever, T=3	1
28	2306200087A	Right Adjustment Lever	1
29	23062000800265C	Right Upper Handle, 25 × 2.5, Black 419C	1

#	Part Number	Description	Qty.
30	23062000790265C	Left Upper Handle, 25 × 2.5, Black 419C	1
31	30313090055000	Hexagon Locking Nut, M5, Blue White Zinc	2
32	23062000820265A	Right Trigger, T=2, 220 × 89.5 × 42.5, Black	1
33	23063000075000A	Trigger Bolt, M5 × 45, White Zinc	2
34	30913070135000	Hexagon Flange Bolt, M6 × 55, Blue White Zinc	2
35	30423010095000	Shaft Elastic Circlip, 6, Black	1
36	23068000295000A	Self-Locking Tension Spring, 1 × 28, White Zinc	1
37	23061000480301A	Handle Support Unit	2
38	30313090035000	Hexagon Locking Nut, M6, Blue White Zinc	2
39	23065000275000A	Self-Locking Plate Assembly, Right Trigger, 62.5 × 36 × 30, Black	1
40	23063000515000A	Self-Locking Fixed Pin Shaft, 6 × 33, Black	1
41	23068000325000A	Self-Locking Cable, 745 mm	1
42	23069000105015A	Handle, Heated, Ø34.5 × 132	2
43	23062000810265A	Left Trigger, T=2, 220 × 89.5 × 42.5, Black	1
44	23053000055000A	Shear Pin, Ø8 × 42.5, Blue White Zinc	4
45	2306600002	Silicon Tube, Ø9 × Ø12	2

# WIRING DIAGRAM

