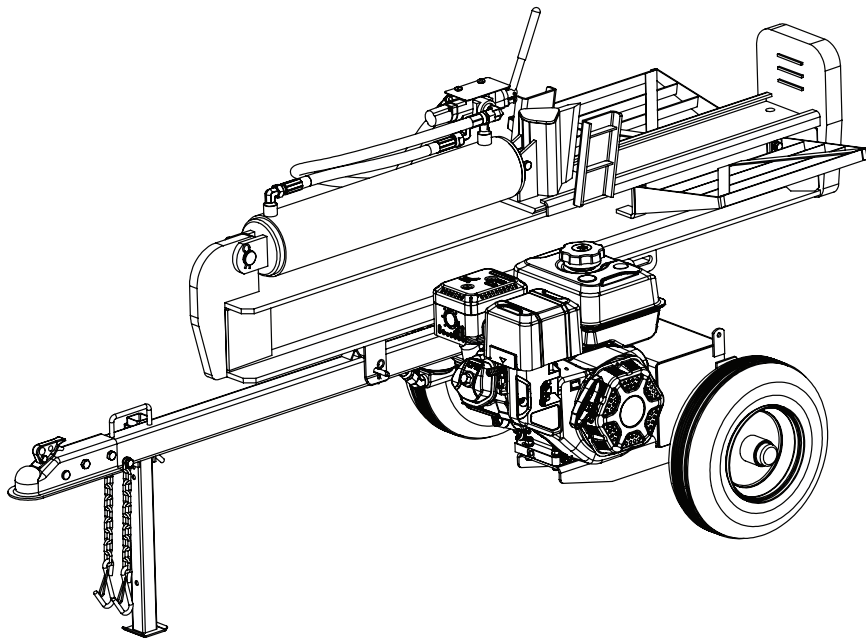




Champion Power Equipment, Inc., Santa Fe Springs, CA USA

MODEL #100250



PARTS INFORMATION

37 TON FULL BEAM LOG SPLITTER

SERIAL NUMBER RANGE: ALL



To order replacement parts please visit:
shop.championpowerequipment.com
or call **1-877-338-0999**.

TABLE OF CONTENTS

Log Splitter Parts Diagram.....	3
Log Splitter Parts List.....	4
Engine Parts Diagram 44.104.....	6
Engine Parts List 44.104.....	7
Engine Parts Diagram R338P.....	10
Engine Parts List R338P.....	11
Engine Parts Diagram 1TC7QG031.....	13
Engine Parts List 1TC7QG031.....	14

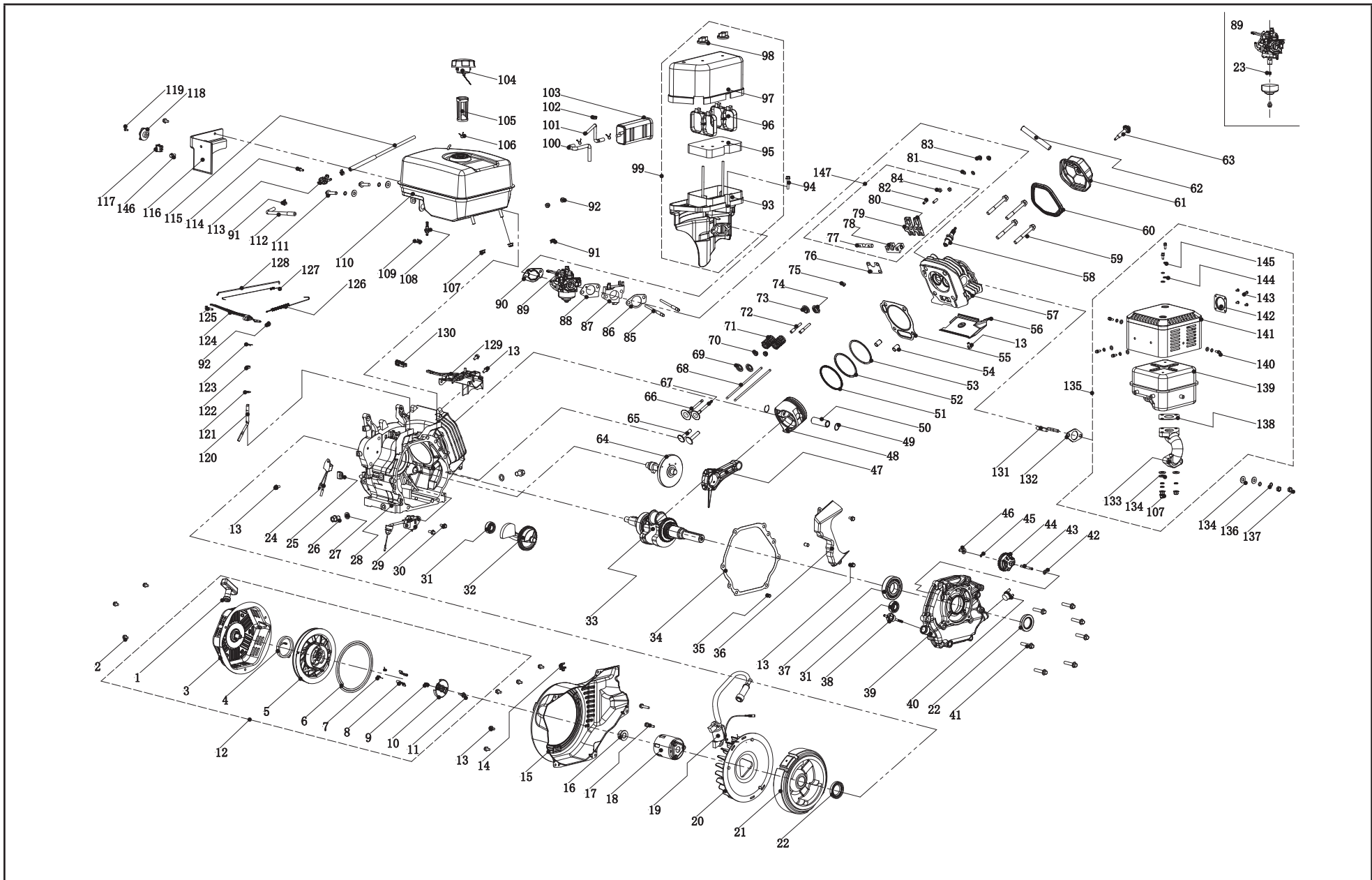
LOG SPLITTER PARTS LIST

#	Part Number	Description	Qty
1	PMJ37N-02-00	Beam	1
2	G889.1-2000-M12	Lock Nut M12	5
3	G95-2000-12	Washer Ø12	5
4	PMJ37N-04-00	Wedge Slide	1
5	G5782-2000-M12-75	Bolt 12x75 (12.9)	1
6	G5782-2000-M12-80	Bolt M12x80	2
7	PMJ20J-17	Filter Housing "OUT" Connection	2
8	PMJ22J-12	Control Valve	1
9	G818-2000-M8 - 12	Bolt M8x12	2
10	G859-1987-8	Washer Ø8	2
11	PMJ22J-19	Plate	1
12	PMJ20J-16	Filter Housing "IN" Connection	1
13	PMJ7-15	Right Angle Joiner	2
14	PMJ22M-22	Valve Joiner	1
15	PMJ37N-16	Hydraulic Hose(Valve-Cylinder)	1
16	PMJ37N-08-00-Y	Cylinder(Yellow)	1
17	GJY12-3	R Pin	2
18	PMJ37N-13	Wedge Pin	1
19	PMJ20J-18	Hydraulic Hose(Valve-Pump)	1
20	G5781-2000-M10-15	Bolt M10x15	8
21	G93-1987-10	Lock Washer Ø10	8
22	G95-2000-10	Washer Ø10	16
23	PMJ30F-01-Y	Log Catcher(Yellow)	2
24	PMJ22J-05-02	Axle Cap	2
25	G9459-1988-M20-1.5	Slotted Nut M20x1.5	2
26	L44634 LYC DS	Tapered Bearing	4
27	PMJ37N-05-03-Y	Wheel(Yellow)	2
28	PMJ22J-05-01	Cased Seal	2
29	G91-2000-4-32	Cotter Pin Ø4x32	2
30	PMJ37N-01-00A	Oil Tank	1

#	Part Number	Description	Qty
31	PMJ22G-19	Oil Plug	1
32	G1160.2-89	Oil Scale	1
33	PMJ22G-18	Screw NPT 1 in.	1
34	G889.1-2000-M18	Lock Nut M18	1
35	G5782-2000-M12-85	Bolt M12x85	2
36	PMJ37N-14	Bolt M18x145	1
37	PMJ22J-15	Pin	1
38	PMJ22G-30	R Pin	2
39	G5783-2000-M8-20	Bolt M8x20	4
40	J8870-1999-d32	Clamp d32	2
41	PMJ35-10	Gear Pump	1
42	G77-2000-M6-10	Screw M6x10	1
43	ASME-B18.2.1-1996- 516-24-1	Bolt 5/16 in.-24x1 in.	4
44	G93-1987-8	Lock Washer Ø8	4
45	G95-2000-8	Washer Ø8	4
46	44.104 SN: <19117065 R338P-B00DY SN: 19117065+ SN: <F2205029055 1TC7QG031 SN: F2205029055+	Engine	1
47	G5780-2000-M10-45	Bolt M10x45	4
48	G5782-2000-M10-85	Bolt M10x85	1
49	PMJ30-32 SN: <19117065 90521-Z030410-0000 SN: 19117065+	Flat Key 6.3x35	1
50	PMJ30-29	Engine Bushing	1
51	PMJ30-28	Engine Connector	1

#	Part Number	Description	Qty
52	PMJ30-23	Gear Pump Stand	1
53	PMJ22G-26	Gear Pump Connector	1
54	G1096-1979-3.18-25.4	Flat Key 3.18x25.4	1
55	PMJ22G-21	Outlet Connector Of Pump	1
56	G3452.1-92-10-2.65	"O" Ring Ø10x2.65	4
57	PMJ37N-03A	Base Tube	1
58	PMJ22Q-20A	Internal Oil Filter	1
59	PMJ22G-40	2-in. Coupler	1
60	PMJ30-17	Oil Pipe	1
61	PMJ22G-52	Auto Filter	1
62	PMJ22Q-23	Through Joint	1
63	PMJ25M-20-00	Auto Filter Base	1
64	PMJ20J-15	Hydraulic Hose(Valve-Oil Tank)	1
65	PMJ25M-18-00	Safety Chain With Hook	2
66	PMJ22J-10	Pin	1
67	PMJ22J-07-00	Front Support Leg	1
68	G889.1-2000-M10	Lock Nut M10	5

ENGINE PARTS DIAGRAM 44.104



ENGINE PARTS LIST 44.104

#	Part Number	Description	Qty
1	21.061300.00	Handle, Recoil, Soft	1
2	1.5789.0608	Flange Bolt M6 × 8	3
3	46.061100.00.1	Cover, Recoil Starter, Black	1
4	45.060005.00	Spring, Recoil Starter	1
5	45.061102.00	Reel, Recoil Starter	1
6	2.10.003.1	Rope Ø4 x 1550, Black	1
7	45.060003.00	Spring, Ratchet	2
8	45.060002.00	Starter Ratchet, Steel	2
9	45.060009.00	Spring, Ratchet Guide	1
10	45.060007.00	Ratchet Guide	1
11	45.060008.00	Screw, Ratchet Guide	1
12	46.061000.00	Recoil Assembly	1
13	1.5789.0612	Flange Bolt M6 × 12	11
14	2.05.003	Clamp Ø11.5 × 10	1
15	46.080100.00.48	Fan Cover, Yellow	1
16	2.02.007	Nut M16 × 1.5	1
17	1.5789.0629	Flange Bolt M6 × 29	2
18	45.060001.00	Pulley, Starter	1
19	46.123000.01	Ignition Coil	1
20	45.080001.00	Cooling Fan	1
21	46.120100.03	Flywheel	1
22	2.11.007	Oil Seal Ø35 × Ø52 × 8	2
23	46.131017.01	Standard Main Jet	1
	46.131017.01.01	Altitude Main Jet	/
24	21.120400.01	Diode Assembly	1
25	45.030032.00	Sheath, Wire	1
26	2.08.039	Drain Bolt M12 × 1.5 × 15	2
27	2.03.023	Washer Ø12.5 × Ø20 × 2, Drain Bolt	2
28	46.030100.00	Crankcase	1
29	45.127000.02	Oil Level Sensor	1

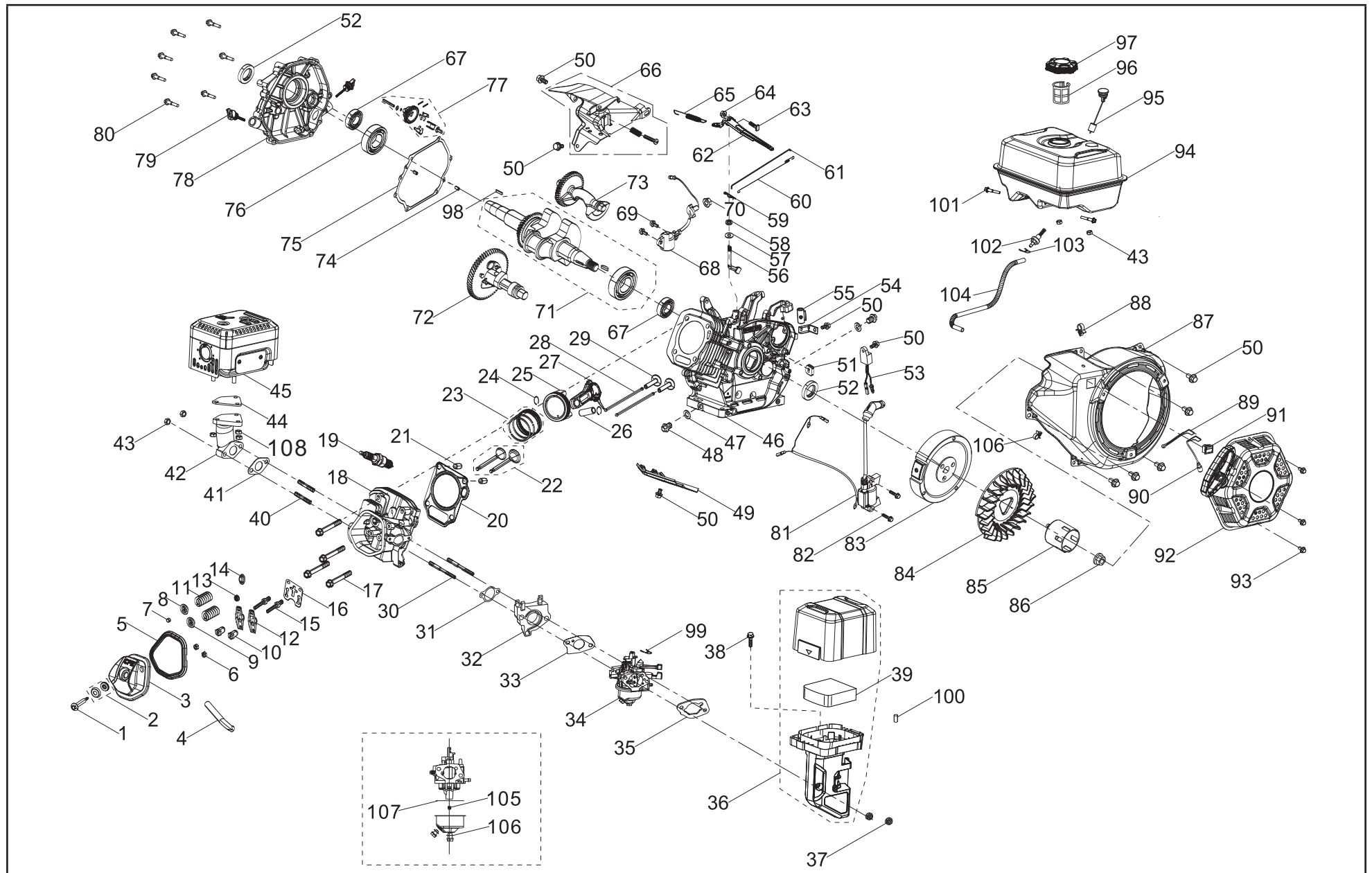
#	Part Number	Description	Qty
30	1.5789.0615	Flange Bolt M6 × 15	2
31	1.276.6202	Bearing 6202	2
32	47.050006.00	Weight Balancer	1
33	45.050100.09	Crankshaft, U	1
34	46.030008.00	Gasket, Crankcase Cover	1
35	2.04.001	Dowel Pin Ø9 × 14	2
36	46.080600.00	Air Guide, Right Side	1
37	1.276.6207	Bearing 6207	1
38	46.031000.00.48	Oil Dipstick Assembly, Yellow	1
39	45.030007.01	Cover, Crankcase	1
40	22.031000.01.48	Oil Filler Cap, Yellow	1
41	1.5789.0840	Flange Bolt M8 × 40	7
42	2.03.021.1	Washer Ø6.4 × Ø13 × 1, Black	1
43	45.110013.00	Shaft, Governor Gear	1
44	45.110100.00	Gear, Governor	1
45	21.110011.00	Clip, Governor Gear	1
46	45.110012.00	Bushing, Governor Gear	1
47	47.050200.00	Connecting Rod	1
48	46.050005.01	Piston	1
49	2.09.004	Circlip Ø21 × Ø1	2
50	45.050003.00	Pin, Piston	1
51	46.050303.01	Ring, Oil	1
52	46.050302.01	Ring, Second Piston	1
53	46.050301.01	Ring, First Piston	1
54	2.04.004	Dowel Pin Ø12 × 20	2
55	46.030009.00	Gasket, Cylinder Head	1
56	46.080400.00	Air Guide, Lower	1
57	46.010100.00	Cylinder Head	1
58	2.15.002(F6RTC)	Spark Plug F6RTC	1
59	2.08.014	Flange Bolt M10 × 80	4

#	Part Number	Description	Qty
60	46.020002.00	Gasket, Cylinder Head Cover	1
61	46.021000.00	Cover, Cylinder Head	1
62	45.020001.00	Breather Tube	1
63	45.020100.00	Bolt, Cylinder Head Cover	1
64	46.041000.00	Camshaft	1
65	45.040013.00	Lifter, Valve	2
66	45.040002.00	Valve, Intake	1
67	45.040006.00	Valve, Exhaust	1
68	46.040005.00	Push Rod	2
69	45.040015.00	Retainer, Valve Spring	2
70	45.040017.00	Oil Seal, Valve	2
71	45.040003.00	Spring, Valve	2
72	23.040010.00	Bolt, Rocker Arm	2
73	45.040001.00	Retainer, Intake Valve Spring	1
74	45.040007.00	Retainer, Exhaust Valve Spring	1
75	45.040008.00	Rotator, Exhaust Valve	1
76	46.040004.00	Guide Plate, Push Rod	1
77	46.040016.00	Shaft, Rocker Arm	1
78	46.040201.00	Retainer, Rocker Arm	1
79	46.040009.00	Rocker Arm, Intake Valve	1
80	46.040018.00	Rocker Arm, Exhaust Valve	1
81	1.97.1.06	Washer Ø6	2
82	22.040012.00	Screw, Valve Adjustment	2
83	1.6177.1.06	Flange Nut M6	2
84	21.040021.00	Nut M6 × 0.5, Lock	2
85	2.01.013	Stud Bolt M6 × M8 × 131	2
86	46.130002.20	Gasket, Insulator	1
87	45.130001.01	Insulator, Carburetor	1
88	46.130003.00	Gasket, Carburetor	1
89	46.131000.01	Carburetor	1
	46.131000.03		
90	45.130004.00	Gasket, Air Cleaner	1

#	Part Number	Description	Qty
91	2.06.007	Clamp Ø8 × b6	3
92	1.6177.06	Flange Nut , M6	3
93	46.091100.01	Base, Air Cleaner	1
94	1.5789.0633	Flange Bolt M6 × 33	1
95	46.091003.02	Element, Air Cleaner	1
96	46.091102.02	Supporter, Air Cleaner	2
97	46.091200.02	Cover, Air Cleaner	1
98	46.091600.01	Screw Cap, Air Cleaner Cover	2
99	46.091000.02	Air Cleaner Assembly	1
100	46.070013.00	Pipe, Air Cleaner	1
101	46.070014.00	Pipe, Reversal Valve	1
102	2.12.001	Buffer Ø7.5 × 7.5	1
103	46.070700.00	Carbon Canister,150CC	1
104	24.070100.02	Cap, Fuel Tank	1
105	46.070300.00	Fuel Filter, Fuel Tank	1
106	2.06.006	Clamp Ø7 × Ø1	3
107	1.6187.1.08	Nut M8	5
108	21.070600.03	Connector, Zinc Alloy	1
109	2.06.016	Clamp Ø8.7 × b8	1
110	46.071000.01.1	Fuel Tank, Black	1
111	1.5789.0832	Flange Bolt M8 × 32	2
112	46.070011.00	Pipe, Fuel Tank To Fuel Valve	1
113	24.070400.00	Fuel Valve	1
114	1.16674.0512.2	Flange Bolt M5 × 12	1
115	46.070011.01	Pipe, Fuel Valve To Carburetor	1
116	46.070010.00	Veil, Fuel Tank	1
117	5.1010.003.3	Ignition Switch, Red	1
118	24.070001.00	Knob, Fuel Valve	1
119	1.818.0412	Bolt M4X12	1
120	45.110001.00	Shaft, Governor Arm	1
121	2.03.019	Washer Ø8.2 × Ø17 × 0.8	1
122	2.11.006	Oil Seal Ø7 × Ø14 × 5	1

#	Part Number	Description	Qty
123	45.110008.00	Pin, Shaft	1
124	45.110003.00	Arm, Governor	1
125	2.08.040	Bolt M6 × 21, Governor Arm	1
126	45.110007.00	Spring, Governor	1
127	45.110005.00	Spring, Throttle Return	1
128	45.110006.00	Rod, Governor	1
129	46.080300.00	Air Guide, Upper	1
130	24.111008.01.48	Sheath, Grip	1
131	2.01.005	Stud Bolt M8 × 49	2
132	46.100001.07	Gasket, Exhaust Pipe	1
133	46.101001.05	Exhaust Pipe	1
134	1.848.08	Washer Ø8	7
135	46.101000.05.2	Muffler Assembly, Black	1
136	1.93.08	Lock Washer Ø8	7
137	1.6175.08	Nut M8	2
138	46.101002.05	Washer, Muffler	1
139	46.101100.05	Muffler Assembly	1
140	1.16674.0510	Flange Bolt M5 × 10	6
141	46.101202.05	Muffler Protector	1
142	46.101300.05	Muffler Screen	1
143	1.818.046	Screw M4 × 6	4
144	1.848.05	Washer Ø5	6
145	1.859.05	Lock Washer Ø5	6
146	1.5789.0612.3	Flange Bolt M6 × 12	2
147	46.040200.00	Rocker Arm Assembly	1

ENGINE PARTS DIAGRAM R338P



ENGINE PARTS LIST R338P

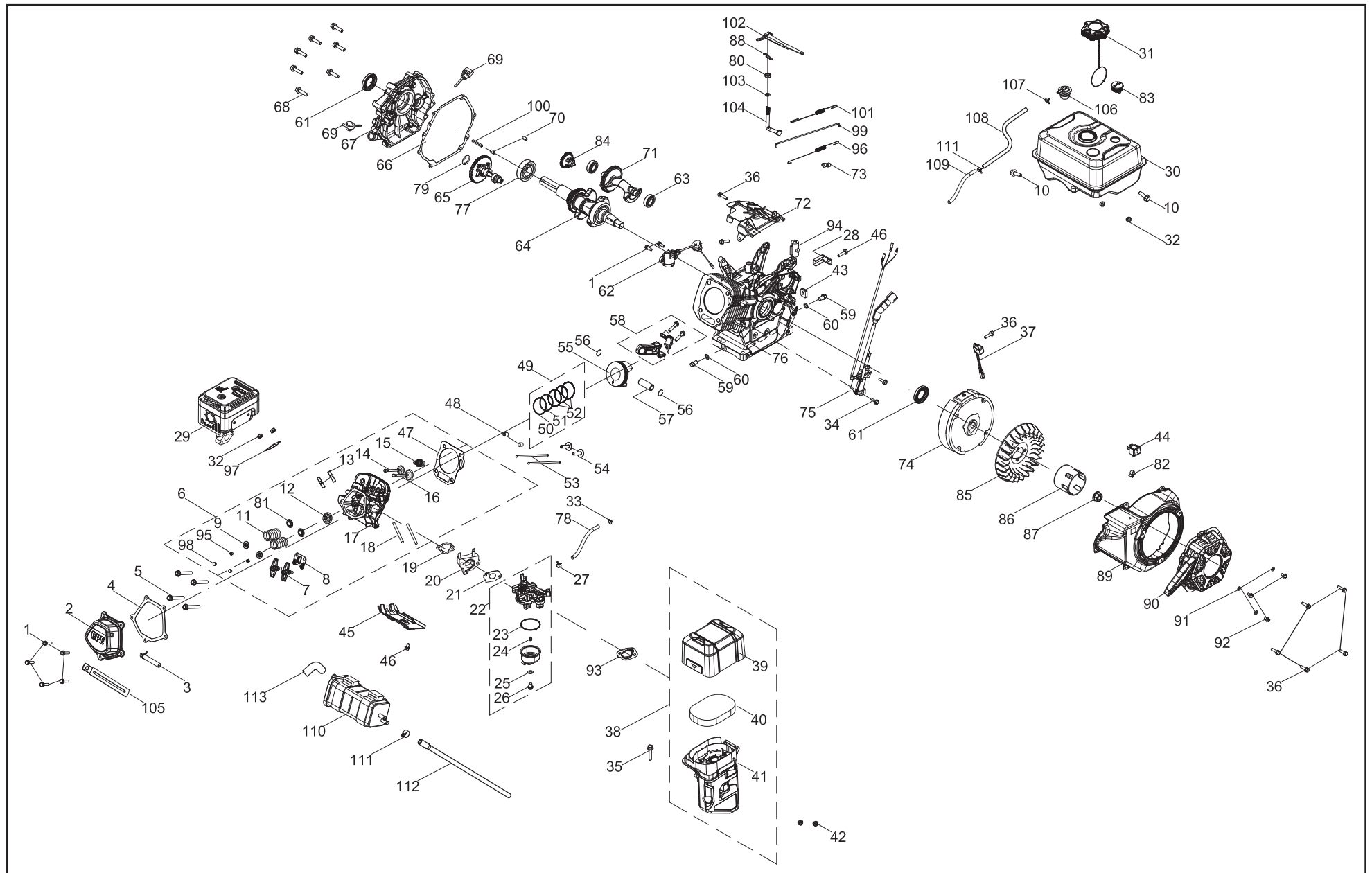
#	Part Number	Description	Qty
1	12032-Z080110-0101	Cylinder Head Bolt, Blue White Zinc	1
2	12034-Z080110-0091	Cylinder Head Cover Gasket Subassembly, Blue White Zinc	1
3	12410-Z310110-0003	Cylinder Head Cover Subassembly, Blue White Zinc	1
4	17004-Z100110-0001	Tube, Breather, Ø10.5 x Ø15 x 110	1
5	12004-Z080110-0001	Cylinder Head Cover Gasket	1
6	14312-Z010110-0000	Valve Lock Nut	2
7	12104-Z080110-0000	Valve Rotator	1
8	12107-Z080110-0000	Exhaust Valve Retainer	1
9	12112-Z080110-0000	Valve Spring Set	1
10	14314-Z010110-0000	Valve Adjusting Nut	2
11	12103-Z080110-0000	Valve Spring	2
12	14311-Z080110-0000	Valve Rocker	2
13	12101-Z080110-0000	Seal Guide	1
14	12105-Z080110-0000	Valve Spring Retainer	1
15	14313-Z010110-0000	Valve Adjusting Bolt	2
16	14090-Z080110-0000	Lifter Stopper Plate Subassembly	1
17	12003-Z080110-0001	Cylinder Head Bolt, M10 x 80, Blue White Zinc	4
18	12140-Z520211-0B00	Cylinder Head Subassembly	1
19	30010-Z010110-0000	Spark Plug	1
20	12131-Z520110-0000	Cylinder Head Gasket	1
21	90502-1220-00	Pin, 12 x 20	2
22	12110-Z100110-00A0	Valve Set	1
23	13200-Z590110-0000	Piston Ring Assembly	1
24	13122-Z100110-0000	Piston Pin Clip	2
25	13111-Z520210-0000	Piston	1
26	13121-Z100110-00A0	Piston Pin, Ø20 x Ø62	1
27	13010-Z100120-00A0	Connecting Rod	1
28	14070-Z100110-0000	Valve Lifter Assembly	2

#	Part Number	Description	Qty
29	14081-Z080110-0000	Valve Tappet	2
30	90204-Z100210-0000	Stud, M6/8 x 135, Black Zinc	2
31	17002-Z100110-0000	Inlet Gasket	1
32	16003-Z100110-0000	Carburetor Insulator Plate	1
33	16001-Z100110-0000	Carburetor Gasket	1
34	16100-Z590510-01M0	Carburetor Assembly	1
35	17001-Z080210-0000	Air Cleaner Gasket	1
36	17100-Z590110-0001	Air Cleaner	1
37	90305-0600-33	Hexagon Flange Nut, M6, Black Zinc	2
38	90007-0630-A1	Hexagon Flange Bolt, M6 x 30, Blue White Zinc	1
39	17151-Z590110-0000	Air Cleaner Element	1
40	90204-Z100320-0000	Stud, M8 x 54, Black Zinc	2
41	18001-Z190110-0000	Exhaust Gasket	1
42	18150-Z080210-QAA1	Exhaust Pipe	1
43	90305-0800-3101	Hexagon Flange Nut, M8, Blue White Zinc	7
44	18101-Z080110-0000	Muffler Gasket	1
45	18100-Z190110-0001	Muffler Assembly	1
46	11310-Z590310-0B00	Crankcase Subassembly	1
47	90412-Z080110-0000	Washer, Ø12 x Ø21 x 2	2
48	11007-Z080110-0001	Drain Plug Bolt, M12 x1.5 x18, Blue White Zinc	2
49	19304-Z110110-0001	Cylinder Body Shroud, Blue White Zinc	1
50	90001-0612-0101	Hexagon Flange Bolt, M6 x 12, Blue White Zinc	10
51	28101-Z080110-0001	Rubber Plug	1
52	90682-Z310110-00A0	Oil Seal, Ø35 x Ø52 x 7	2
53	37050-Z010410-0001	Oil Protector, Blue White Zinc	1
54	51124-Z590110-0001	Mounting Bracket	1
55	90684-Z010410-0001	Clip	1
56	16061-Z100110-0000	Governor Arm	1

#	Part Number	Description	Qty
57	90412-Z080210-0000	Washer, Ø8.4 x Ø19.5 x 0.8	1
58	90682-Z100210-0001	Oil Seal, Ø8 x Ø14 x 4	1
59	90501-Z010110-0001	Pin, Blue White Zinc	1
60	16012-Z080110-0000	Throttle Valve Returning Spring	1
61	16062-Z100110-0001	Governor Rod, Blue White Zinc	1
62	16070-Z100120-0001	Governor Support Subassembly, Blue White Zinc	1
63	16072-Z010110-0001	Governor Support Bolt, M6 x 21, Blue White Zinc	1
64	90305-0600-3101	Hexagon Flange Nut, M6, Black Zinc	1
65	16063-Z100710-0001	Governor Spring, Blue White Zinc	1
66	16520-Z101710-0001	Throttle Control Assembly, Blue White Zinc	1
67	90548-0202-00	Bearing	2
68	37060-Z080120-0000	Engine oil Sensor, W/O Nut	1
69	90001-0616-01	Hexagon Flange Bolt, M6 x 16, Blue White Zinc	2
70	90305-Z010210-0101	Hexagon Flange Nut, M10, Blue White Zinc	1
71	13300-Z100620-RBA0	Crankshaft Assembly	1
72	14200-Z100320-00A9	Camshaft Assembly	1
73	13401-Z100110-00A0	Balancing Shaft	1
74	90502-0812-00	Pin, 8 x 12	2
75	11001-Z100120-0000	Crankcase Gasket	1
76	90547-0207-00	Bearing	1
77	16400-Z100110-00A9	Governor Gear Assembly	1
78	11411-Z100510-0BA0	Crankcase Cover	1
79	15010-Z080130-L401	Oil Dipstick Subassembly	2
80	90001-0840-0101	Hexagon Flange Bolt, M8 x 40, Blue White Zinc	7
81	30400-Z590110-0001	Ignition Coil	1
82	90001-0628-01	Hexagon Flange Bolt, M6 x 28, Blue White Zinc	2
83	13510-Z100120-00A0	Flywheel Subassembly	1

#	Part Number	Description	Qty
84	19352-Z100120-00A2	Impeller	1
85	28002-Z100210-0000	Starter Pulley, Blue White Zinc	1
86	13501-Z080110-0000	Flywheel Nut, M6 x 1.5, Blue White Zinc	1
87	28110-Z590110-L400	Shroud	1
88	90684-Z080110-0001	Clip	1
89	35555-Z810110-0000	Switch Connector Grounding Wire	1
90	35541-Z590110-0000	Stop Engine Connecting Wire	1
91	35540-Z010610-R901	Stop Engine Switch Subassembly	1
92	28200-Z590210-H300	Recoil Starter Assembly	1
93	90251-0608-03	Bolt, M6 x 8, Black Zinc	3
94	16620-Z590310-H300	Fuel Tank	1
95	37200-Z810310-0000	Fuel Gauge	1
96	16652-Z010810-0001	Fuel Strainer	1
97	16730-Z310310-0001	Fuel Tank Cap	1
98	90521-Z030410-0000	Key	1
99	90685-Z030610-01A1	Clamp, Ø8 x 7 x 0.6, Blue White Zinc	1
100	90722-Z010610-0001	End Plug	1
101	90001-0825-0101	Hexagon Flange Bolt, M8 x 25, Blue White Zinc	2
102	16680-Z010210-0000	Fuel Tank Oil Outlet Subassembly	1
103	90740-Z010510-00A1	Clamp	1
104	90686-Z520110-00M1	Fuel Pipe, Ø4.5 x Ø8.5 x 240	1
105	16161-Z153710-0000	Main Jet, Standard	1
	16161-Z153510-0000	Main Jet, Altitude 3000-6000 Feet	/
	16161-Z153310-0000	Main Jet, Altitude 6000-8000 Feet	/
106	90681-Z010610-0000	Seal Ring	1
107	16112-Z080110-0000	Seal Ring, Float	1
108	90305-0800-3E	Hexagon Flange Nut, M8	3

ENGINE PARTS DIAGRAM 1TC7QG031



ENGINE PARTS LIST 1TC7QG031

#	Part Number	Description	Qty.
1	100011264-0003	Flange Bolt M6 x 16, GB5789	7
2	100002337	Cylinder Head Cover(CPE)	1
3	100730688	Breather Tube	1
4	100055922	Gasket, Cylinder Head Cover	1
5	100002470	Flange Bolt M10 x 1.25 x 87	4
6	100748504	Cylinder Head Assembly	1
7	100149155	Rocker Arm	2
8	100004474	Guide Plate, Push Rod	1
9	100004516	Valve Spring Seat 1	2
10	100011315-0002	Flange Bolt M8 x 25	2
11	100067633	Spring Valve	2
12	100004602	Oil Seal, Intake Valve	1
13	100010392	Stud Bolt M8 x 48.5	2
14	100004559	Exhaust Valve	1
15	100009378	Spark Plug F6RTC	1
16	100004539	Intake Valve	1
17	100095773	Cylinder Head	1
18	100010366	Stud Bolt M6 x 115	2
19	100076230	Gasket, Insulator	1
20	100005614	Insulator, Carburetor	1
21	100088932	Gasket, Carburetor	1
22	100731010-0001	Carburetor Assembly	1
23	100087936	O-Ring, Fuel Bowl	1
24	100084297	Main Jet, Standard (98)	1
	100750874	Main Jet, Altitude 1000-3000m (96)	/
25	100006037	Gasket, Fuel Bowl Mounting Bolt	1
26	100005725	Mounting Bolt, Fuel Bowl	1
27	100005149	Clamp Ø7.5	1
28	100734621	Bracket	1
29	100730899	Muffler	1
30	100730679-0002	Fuel Tank Assembly	1
31	100730969	Fuel Tank Cap	1

#	Part Number	Description	Qty.
32	100011453-0003	Flange Nut M8	4
33	100005137	Clamp	1
34	100011269-0003	Flange Bolt M6 x 28	2
35	100033038-0002	Flange Bolt M6 x 32	1
36	100011262-0003	Flange Bolt M6 x 14	8
37	100755058	Oil Sensor	1
38	100731031	Air Cleaner Assembly	1
39	100749355	Air Cleaner Cover	1
40	100749356	Air Cleaner Element	1
41	100749358	Air Cleaner Base	1
42	100011463-0004	Flange Nut M6, GB6177.1	2
43	100000676	Rubber Block	1
44	100733063-0001	Switch	1
45	100733058	Air Guide, Lower	1
46	100011260-0005	Flange Bolt M6 x 10, GB5789	2
47	100092467	Gasket, Cylinder Head	1
48	100010562	Dowel Pin Ø12 x 20	2
49	100092617	Piston Ring Set	1
50	100092619	1st Piston Ring	1
51	100092620	2nd Piston Ring	1
52	100092623	Oil Ring	1
53	100149152	Push Rod	2
54	100149154	Lifter, Valve	2
55	100092618	Piston	1
56	100003225	Circlip, Wrist Pin	2
57	100003131	Wrist Pin	1
58	100719493	Connecting Rod Assembly	1
59	100010275	Drain Bolt, M10 x 1.25 x 15	2
60	100010467	Washer Ø12 x 2 x Ø20	2
61	100017649	Oil Seal Ø35 x Ø52 x 7	2
62	100010028	Oil Level Sensor	1
63	100010742	Bearing, 6202-P63	2

#	Part Number	Description	Qty.
64	100003877	Crankshaft	1
65	100082438	Camshaft	1
66	100076153	Gasket, Crankcase Cover	1
67	100003013	Cover, Crankcase	1
68	100011323-0001	Flange Bolt M8 x 38	7
69	100004128-0007	Oil Dipstick Assembly	2
70	100010549	Dowel Pin Ø8 x 12	2
71	100003998	Balance Shaft	1
72	100730901	Control Assembly	1
73	100090559	Clamp 1	1
74	100009563	Flywheel	1
75	100731230	Ignition Module	1
76	100092908	Crankcase	1
77	100010682	Bearing, 6207	1
78	100083799	Fuel Hose Ø4 x Ø8 x 230	1
79	100010521-0001	Washer Ø16.2 x 0.3 x Ø24	1
80	100017631	Oil Seal Ø8 x Ø14 x 4	1
81	100004575	Valve Spring Seat 2	2
82	100000667	Clamp Ø8 x 8	1
83	100730903	Fuel Gauge	1
84	100008304	Gear, Governor	1
85	100007035	Cooling Fan	1
86	100007562	Pulley, Starter	1
87	100011460-0001	Flange Nut M16 x 1.5	1
88	100007989	Cotter, Governor Shaft	1
89	100734722-0001	Fan Cover	1
90	100734709-0001	Recoil Starter	1
91	100010920-0001	Washer Ø6	3
92	100011565-0002	Flange Bolt M6 x 10	3
93	100159555	Gasket, Air Cleaner Base	1
94	100000657	Clip	1
95	100004576	Valve Collet	4
96	100093022	Spring, Throttle Return	1
97	100006937	Gasket, Muffler	1

#	Part Number	Description	Qty.
98	100004589	Retainer, Valve	2
99	100090516	Rod, Governor	1
100	100733586	Key, 6.3 x 6.3 x 35	1
101	100087179	Spring, Governor	1
102	100090515	Arm, Governor	1
103	100010518-0001	Washer Ø8 x 0.8 x Ø20	1
104	100007980	Governor Shaft	1
105	100000655	Wire Clip B	1
106	100008968	Reversal Valve	1
107	100005147	Clamp Ø8	1
108	100733056	Fuel Hose	1
109	100098276	Sheath, Vent Tube	1
110	100733054	Carbon Canister	1
111	100005130	Clamp Ø9 x 8	2
112	100733057	Fuel Hose 1	1
113	100081431	Fuel Hose 2	1