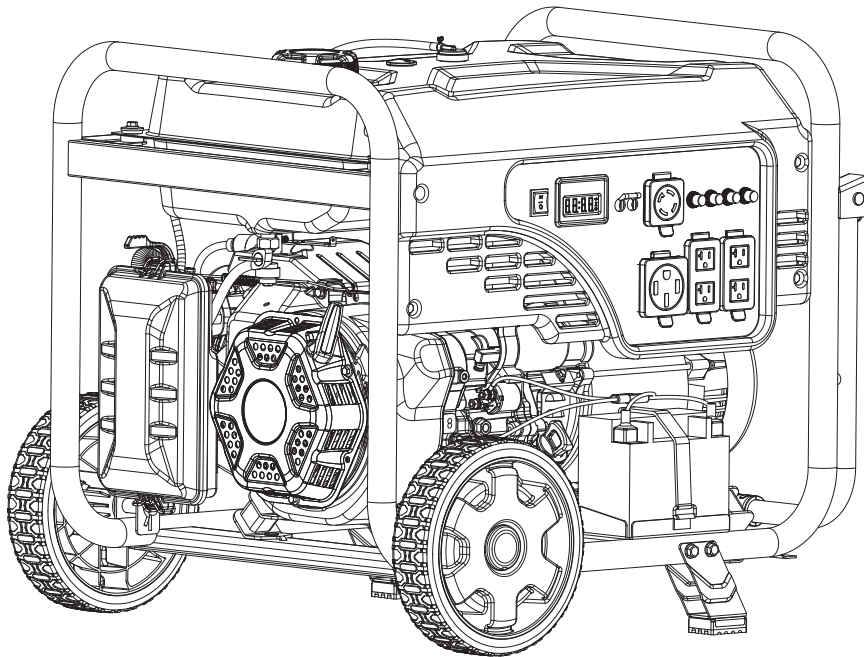




Champion Power Equipment, Inc., Santa Fe Springs, CA USA

MODEL #201043



PARTS INFORMATION

9500W ELECTRIC START GENERATOR

SERIAL NUMBER RANGE: 21SEP0300000+



To order replacement parts please visit:
shop.championpowerequipment.com
or call **1-877-338-0999**.

TABLE OF CONTENTS

Generator Parts Diagram	3
Generator Parts List	4
Engine Parts Diagram	5
Engine Parts List	6
Cylinder Head Parts Diagram	8
Cylinder Head Parts List	9
Carburetor Parts Diagram	10
Carburetor Parts List	11
Alternator Parts Diagram	12
Alternator Parts List	13
Fuel Tank Parts Diagram	14
Fuel Tank Parts List	15
Control Panel Parts Diagram	16
Control Panel Parts List	17
Frame Assembly Parts Diagram	18
Frame Assembly Parts List	19
Wiring Diagram	20

GENERATOR PARTS DIAGRAM

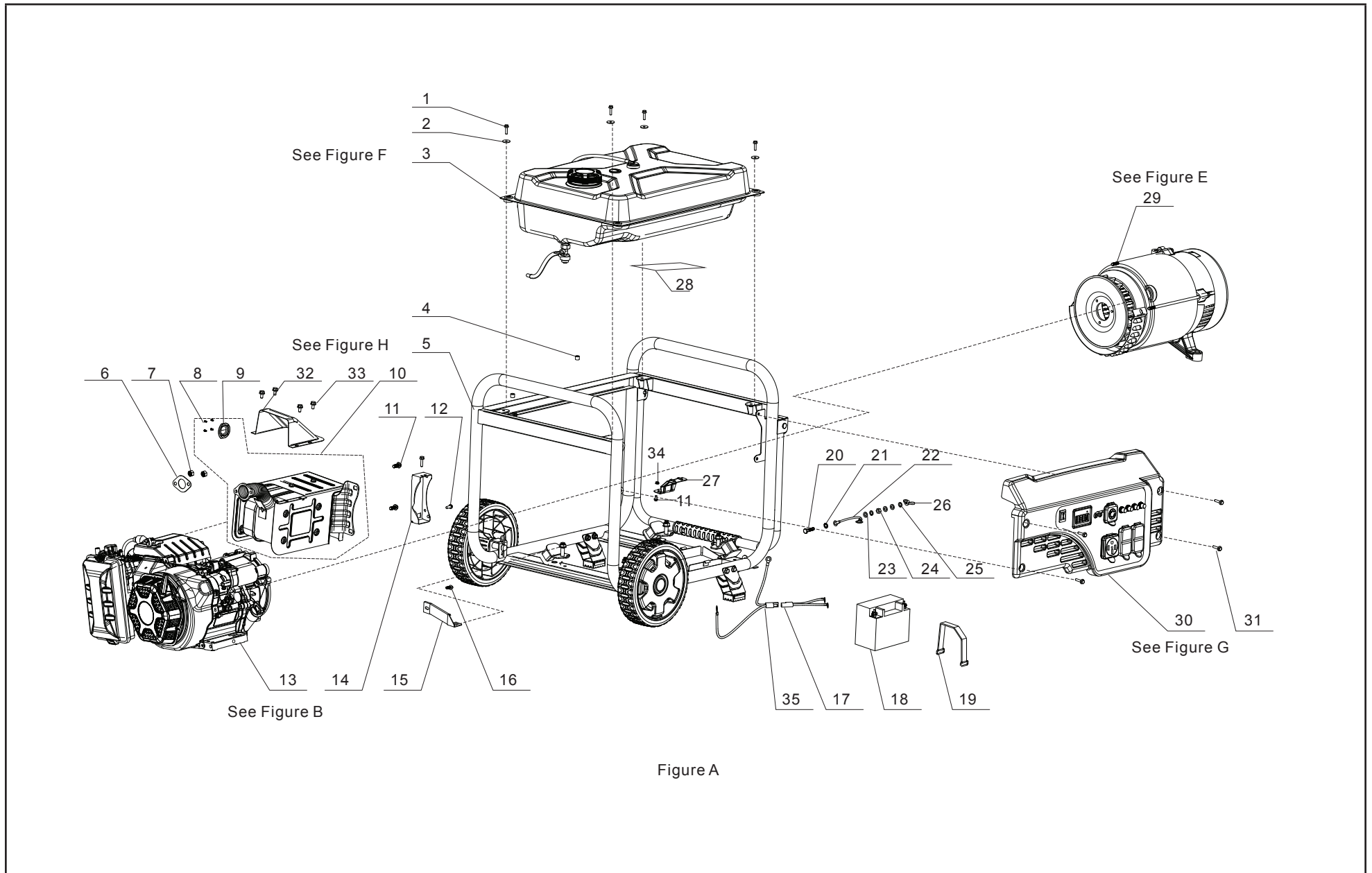


Figure A

GENERATOR PARTS LIST

#	Part Number	Description	Qty.
1	90007-0625-0301	Hexagon Flange Bolt, M6 x 25, Black Zinc	4
2	90408-Y020110-0005	Flat Washer, Ø6, Black Zinc	4
3	96003-ZSS2710-0000	Fuel Tank Assembly - See Figure F	1
4	90698-Y1Z0110-0002	Protective Rubber Sleeve	2
5	96003-ZSS2810-0000	Frame Assembly - See Figure H	1
6	18101-Z0D0310-00A0	Muffler Outlet Gasket	1
7	90303-0800-0301	Nut, M8, Black Zinc	2
8	90026-0408-09	Hexagon Flange Bolt, M5 x 10	4
	S/N≤21SEP0200184		
	90139-0510-0900		
	S/N>21SEP0200184		
9	18250-YGM0110-00A0	Spark Arrestor	1
10	18100-YGM0212-H7A0	Muffler Assembly	1
	S/N≤21SEP0200184		
	18100-YGM0213-H7A0		
	S/N>21SEP0200184		
11	90001-0816-0305	Hexagon Flange Bolt, M8 x 16, Black Zinc	3
12	90001-0816-0109	Hexagon Flange Bolt, M8 x 16, White Zinc	2
13	R500DV000F3-CMP318	Engine Assembly - See Figure B	1
14	18030-YJ70110-0900	Muffler Support, White Zinc	1
15	17003-YJ70110-0100	Air Cleaner Support	1
16	90001-0612-0305	Hexagon Flange Bolt, M6 x 12, Black Zinc	1
17	31112HYGM0210-0000	DC Wire Harness, Battery	1
18	31110-Y9X0110-00A0	Battery, 12V/14Ahr	1
19	31115-Y6D0110-0001	Band, Battery, 246×20×3.5	1
20	90001-0625-0305	Hexagon Flange Bolt, M6 x 25, Black Zinc	1
21	90415-0600-Z301	Lock Washer, Toothed, Black Zinc	1
22	30009-Y910310-0000	Grounding Wire	1
23	90408-0600-E305	Flat Washer, Black Zinc	3
24	90303-0600-3305	Hexagon Hexagon Flange Nut, M6, Black Zinc	1

#	Part Number	Description	Qty.
25	90403-0600-0305	Spring Washer, Black Zinc	2
26	90312-0600-0301	Wing Nut, M6, Black Zinc	1
27	24329-YGM0210-H2A0	Heat Shield	1
28	82153-YGM0210-00A0	Hot Film	1
29	96003-ZSS2910-0000	Alternator Assembly - See Figure E	1
30	35610-YGM0212-H200	Panel Assembly - See Figure G	1
31	90001-0616-0301	Hexagon Flange Bolt, M6 x 16, Black Zinc	4
32	80019-YJP0210-H7A0	Guide Hood, Muffler	1
33	90007-0612-A301	Hexagon Flange Bolt, M6 x 12, Black Zinc	4
34	90305-0800-3305	Hexagon Flange Nut, M8, Black Zinc	1
35	31114HYGM0110-0001	DC Wire Harness, Engine	1

ENGINE PARTS DIAGRAM

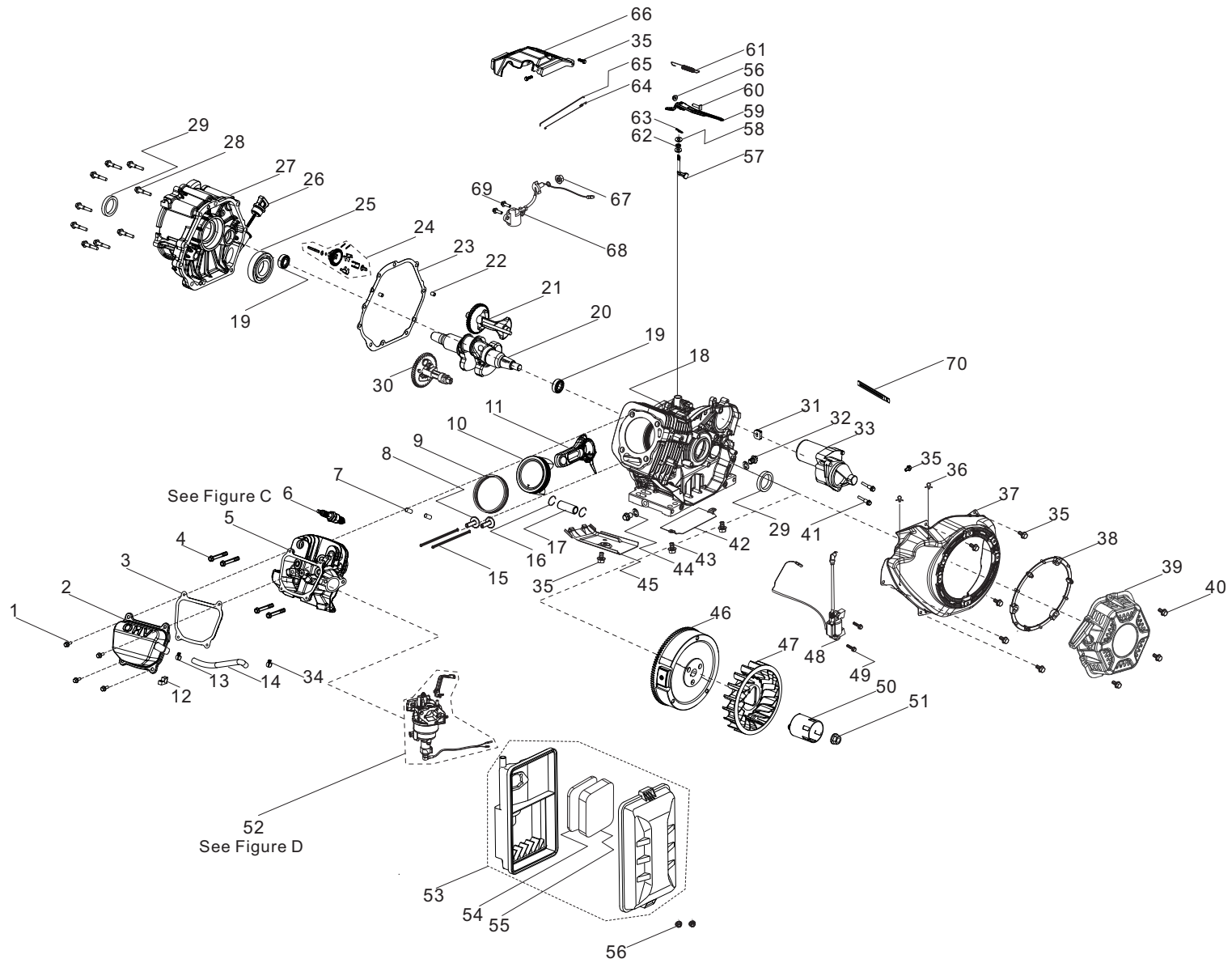


Figure B

ENGINE PARTS LIST

#	Part Number	Description	Qty.
1	90001-0612-0101	Hexagon Flange Bolt, M6 x 12, White Zinc	4
2	12410-Z0D0110-01A0	Cylinder Head Cover, White Zinc	1
3	12004-Z0J0510-0000	Cylinder Head Cover Gasket	1
4	12003-Z0N0110-0100	Cylinder Head Bolt, M10 x 85, White Zinc	4
5	96003-ZSS2510-0000	Cylinder Head Assembly - See Figure C	1
6	30010-Z010110-00A0	Spark Plug, F6RTC	1
7	90502-1220-00A0	Pin, Ø12 x 20	2
8	14081-Z080110-00A0	Valve Tappet	2
9	13200-Z0D0110-00A9	Piston Ring Assembly	1
10	13111-Z0D0210-00A0	Piston	1
	S/N≤21SEP0200184		
	13111-Z0D0211-00A0		
	S/N>21SEP0200184		
11	13010-Z0D0110-00A0	Connecting Rod	1
	S/N≤21SEP0200184		
	13010-Z0D0311-00A0		
	S/N>21SEP0200184		
12	90804-Y5Z0210-0001	Stop Block	1
13	90685-Z130210-01A0	Clamp, Ø17 x 1.4	1
14	17004-Z0D0310-0000	Tube, Breather, Ø12 x Ø16 x 108	1
15	14070-Z0D0110-00A0	Valve Lifter	2
16	13122-Z100110-00A0	Piston Pin Clip	2
17	13121-Z0D0110-00A0	Piston Pin, Ø20.2 x 53.5 x 15	1
	S/N≤21SEP0200184		
	13121-Z1X0110-0000		
	S/N>21SEP0200184		
18	11310-Z0D0110-0BA0	Crankcase Subassembly	1
19	90548-0202-00A0	Bearing, 6202	2
20	13300-Z0D0110-CLAT	Crankshaft Assembly	1
21	13401-Z0D0110-00A0	Balancing Shaft	1

#	Part Number	Description	Qty.
22	90502-0812-00A0	Pin, Ø8 x 12	2
23	11001-Z0D0110-0000	Crankcase Gasket	1
24	16400-Z100110-00A0	Governor Gear Assembly	1
25	90547-6208-00A3	Bearing, 6208	1
26	15010-Z0D0110-L400	Oil Dipstick	1
27	11411-Z0D0110-0BA0	Crankcase Cover	1
	S/N≤21SEP0200184		
	11411-Z0D0110-0BA1		
	S/N>21SEP0200184		
28	90001-0840-03	Hexagon Flange Bolt, M8 x 40, Black Zinc	9
29	90682-Z0J0110-0001	Oil Seal, Ø52 x Ø40 x 9	2
30	14200-Z0D0110-00A9	Camshaft Assembly	1
31	28101-Z080110-0001	Plug, Rubber	1
32	11007-Z080110-0300	Drain Plug Bolt, M12 x 18, Black Zinc	2
33	09100-Z170310-0100	Starter Motor	1
34	90685-Z0D0110-0100	Clamp, Ø16 x 1.6	1
35	90001-0612-03	Hexagon Flange Bolt, M6 x 12, Black Zinc	9
36	90684-Z030210-0001	Clip, Ø5.7	2
37	28110-Z710210-L401	Cover, Engine Fan, PMS 109C	1
38	28261-Z980110-0001	Retainer Ring, Recoil Starter	1
39	28200-Z590110-H200	Recoil Starter Assembly	1
40	90001-0620-03	Hexagon Flange Bolt, M6 x 20, Black Zinc	3
41	90001-0835-0102	Hexagon Flange Bolt, M8 x 35, White Zinc	2
42	19306-Z0D0110-0100	Air Deflector, Crankcase, White Zinc	1
43	90001-0610-03	Hexagon Flange Bolt, M6 x 10, Black Zinc	2
44	90412-Z080110-00A0	Washer, Ø21 x Ø12 x 2	2
45	19304-Z100210-0101	Cylinder Body Shroud	1
46	13510-Z0D0410-0000	Flywheel Subassembly	1
47	19352-Z100120-00A3	Cooling Fan, Engine	1
48	30400-Z0D0110-0000	Ignition Coil	1

#	Part Number	Description	Qty.
49	90001-0628-01A0	Hexagon Flange Bolt, M6 x 28, White Zinc	2
50	28002-Z0D0110-0000	Starter Pulley, White Zinc	1
51	13501-Z080110-00A0	Flywheel Nut, M16 x 1.5, White Zinc	1
52	96003-ZSS2610-0000	Carburetor Assembly - See Figure D	1
53	17100-Z0D0210-0000	Air Cleaner Assembly	1
54	17151-Z0D0210-0000	Element 1, Air Cleaner	1
55	17151-Z0D0310-0000	Element 2, Air Cleaner	1
56	90305-0600-33	Hexagon Flange Nut, M6, Black Zinc	3
57	16061-Z0D0110-00A0	Governor Arm	1
58	90412-Z080210-00A0	Washer, Ø19.5 x Ø8.4 x 0.8	2
59	16070-Z100120-01A0	Governor Support Subassembly, White Zinc	1
	S/N≤21SEP0200184		
	16070-Z100310-01A0		
	S/N>21SEP0200184		
60	16072-Z010310-0000	Governor Support Bolt, M6 x 21, White Zinc	1
61	16063-Z0D0110-0100	Spring, Governor	1
62	90682-Z100210-0001	Oil Seal, Ø14 x Ø8 x 4	1
63	90501-Z010110-0001	Pin, White Zinc	1
64	16012-Z080110-00A0	Throttle Valve Returning Spring	1
65	16062-Z0D0211-01A0	Governeor Rod, White Zinc	1
66	16520-Z0D0111-0100	Air Guide, Engine Fan, White Zinc	1
67	90305-Z010210-0300	Hexagon Flange Nut, M10, White Zinc	1
68	37060-Z080410-0000	Engine oil Sensor, W/O Nut	1
69	90001-0616-01A0	Hexagon Flange Bolt, M6 x 16, White Zinc	2
70	90684-Z030120-0001	Clip, Ø6 x 10.6 x 100	1

CYLINDER HEAD PARTS DIAGRAM

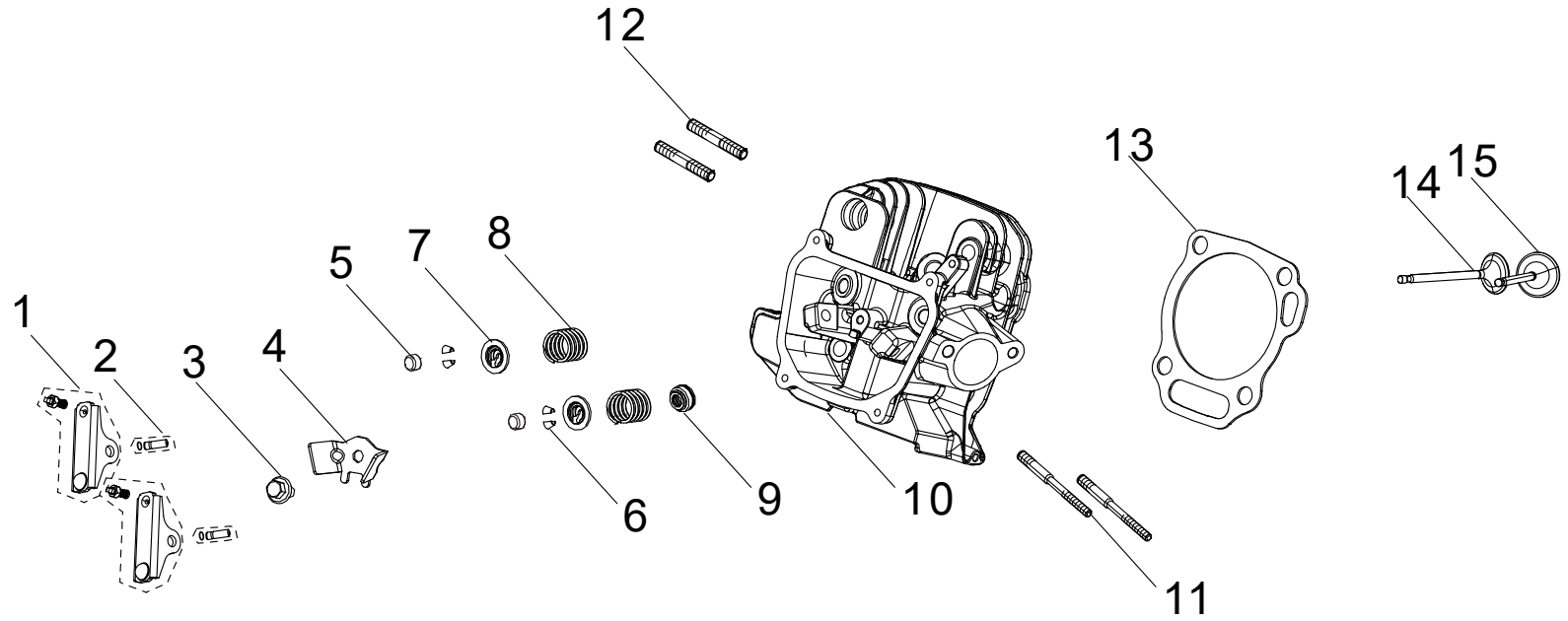


Figure C

CYLINDER HEAD PARTS LIST

#	Part Number	Description	Qty.
1	14310-Z0D0110-0000	Valve Rocker Arm	2
2	14318-Z990110-0000	Rocker Arm Shaft Assembly	2
	S/N≤21SEP0200184		
	14318-Z0D0210-00A0		
	S/N>21SEP0200184		
3	90001-0612-03	Hexagon Flange Bolt, M6 x 12, Black Zinc	1
4	12419-Z950210-0000	Pin Limit Plate, Cylinder Head	1
5	12104-Z010110-0000	Lash Cap, Valve	2
6	12109-Z0D0110-00A0	Valve Lock Clamp, Ø5.5×Ø9	4
7	12112-Z0D0110-0000	Valve Spring Retainer	2
8	12103-Z990110-0000	Valve Spring	2
9	12101-Z020110-0000	Valve Seal Guide	1
10	12140-Z0D0210-0BA9	Cylinder Head	1
	S/N≤21SEP0200184		
	12140-Z0D0710-0BA0		
	S/N>21SEP0200184		
11	90204-Z100410-00A0	Stud, M6/M8 x 110, Black Zinc	2
12	90203-Z010110-0301	Stud, M8 x 34, Black Zinc	2
13	12131-Z0D0210-0000	Cylinder Head Gasket	1
14	12121-Z0D0210-0000	Exhaust Valve	1
15	12111-Z0D0210-0000	Intake Valve	1

CARBURETOR PARTS DIAGRAM

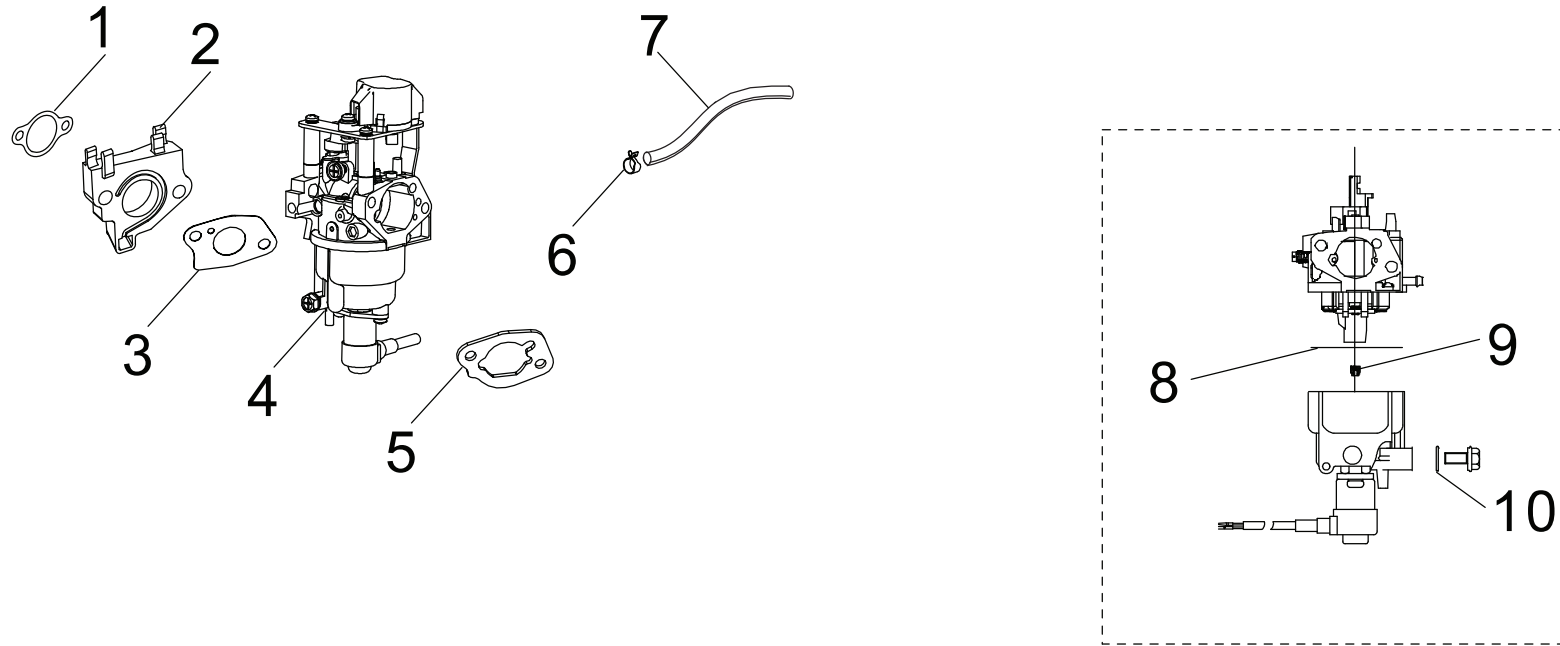


Figure D

CARBURETOR PARTS LIST

#	Part Number	Description	Qty.
1	17002-Z0D0110-0000	Gasket, Inlet	1
2	16003-Z0D0110-0001	Carburetor Insulator Plate	1
3	16001-Z100110-0000	Carburetor Gasket	1
4	16100-Z0D0610-00M0	Carburetor Assembly	1
5	17001-Z0D0110-0000	Air Cleaner Gasket	1
6	90685-Z030610-01A1	Clamp, Ø8 x 7 x 0.6	1
7	90686-Z510110-00M1	Fuel Pipe, Ø4.5 x Ø8.5 x 190	1
8	16112-Z080110-0000	Seal Ring, Float	1
9	16161-Z0C0110-00A0	Main Jet(H128×0.38), Standard	1
	16161-Z191210-00A2	Main Jet(H128×0.4), Altitude 3000-6000 Feet	/
	16161-Z100410-00A2	Main Jet(H128×0.42), Altitude 6000-8000 Feet	/
10	90681-Z010110-0000	Seal Ring	1

ALTERNATOR PARTS DIAGRAM

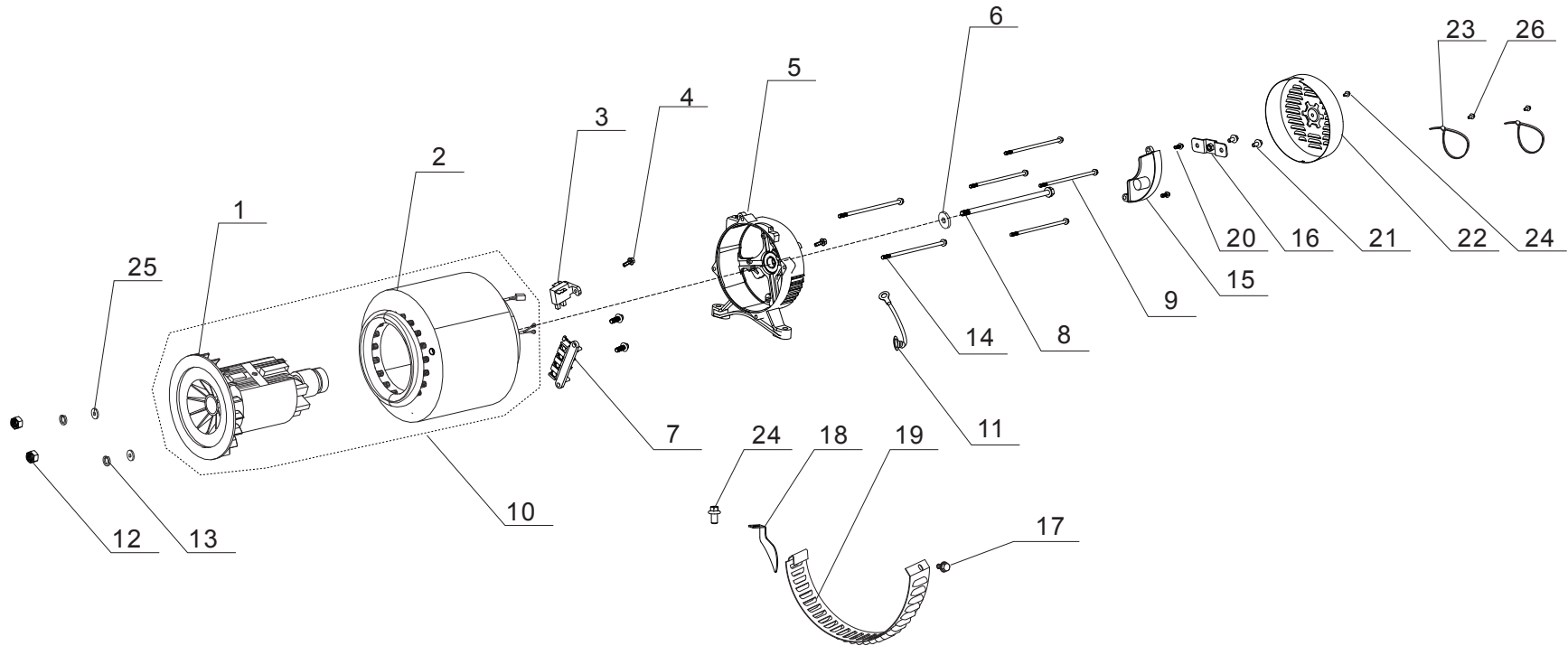


Figure E

ALTERNATOR PARTS LIST

#	Part Number	Description	Qty.
1	31330-YGM0110-0000	Rotor, AL, D204 x 158	1
2	31310-YGM0110-0000	Stator, AL, D204 x 158	1
3	31320-YGM0110-0000	Carbon Brush Subassembly	1
4	90001-0516-0105	Hexagon Hexagon Flange Bolt, M5 x 16, White Zinc	4
5	30021-YJ70111-00A0	End Housing, Alternator	1
6	90408-Y030110-0100	Flat Washer, White Zinc	1
7	31303HY090110-0000	Terminal Block	1
8	30049-Y950110-0101	Bolt M10 x 285, Rotor, White Zinc	1
9	30048-Y950110-0100	Bolt M6 x 199, Stator, White Zinc	4
10	31300-YGM0110-0000	Alternator Assembly, AL, D204 x 158	1
11	30009-YJ70210-0000	Grounding Wire	1
12	90303-0500-31A0	Hexagon Flange Nut, M5, Black Zinc	2
13	90403-0500-03	Spring Washer, Black Zinc	2
14	31316HYGM0111-0600	Bolt, Stator, M5 x 235	2
15	30060-YGM0210-0000	Rectifier	1
16	51124-YJ70110-0100	Mounting Bracket, White Zinc	1
17	90001-0612-0305	Hexagon Flange Bolt, M6 x 12, Black Zinc	1
18	30023-YC20110-00A0	Stopper, Motor Right Cover	1
	S/N≤21SEP0200184		
	30023-YGM0110-0900		
	S/N>21SEP0200184		
19	30024-Y730110-0001	Vent, Engine Fan	1
20	90001-0516-0105	Hexagon Flange Bolt, M5 x 16, White Zinc	2
21	90007-0512-A301	Hexagon Flange Bolt, M5 x 12, Black Zinc	2
22	30022-YJ70110-L400	Cover, End Housing, PMS 109C	1
23	90727-Y020110-00A0	Band, 4×200	2

#	Part Number	Description	Qty.
24	N/A	Hexagon Flange Bolt, M5 x 10, White Zinc	2
	N/A		
	90001-0510-0105		
	S/N>21SEP0200184		
25	90408-0500-E1A0	Flat Washer, White Zinc	2
26	90001-0512-0901	Hexagon Flange Bolt, M5 x 12, Black Zinc	2

FUEL TANK PARTS DIAGRAM

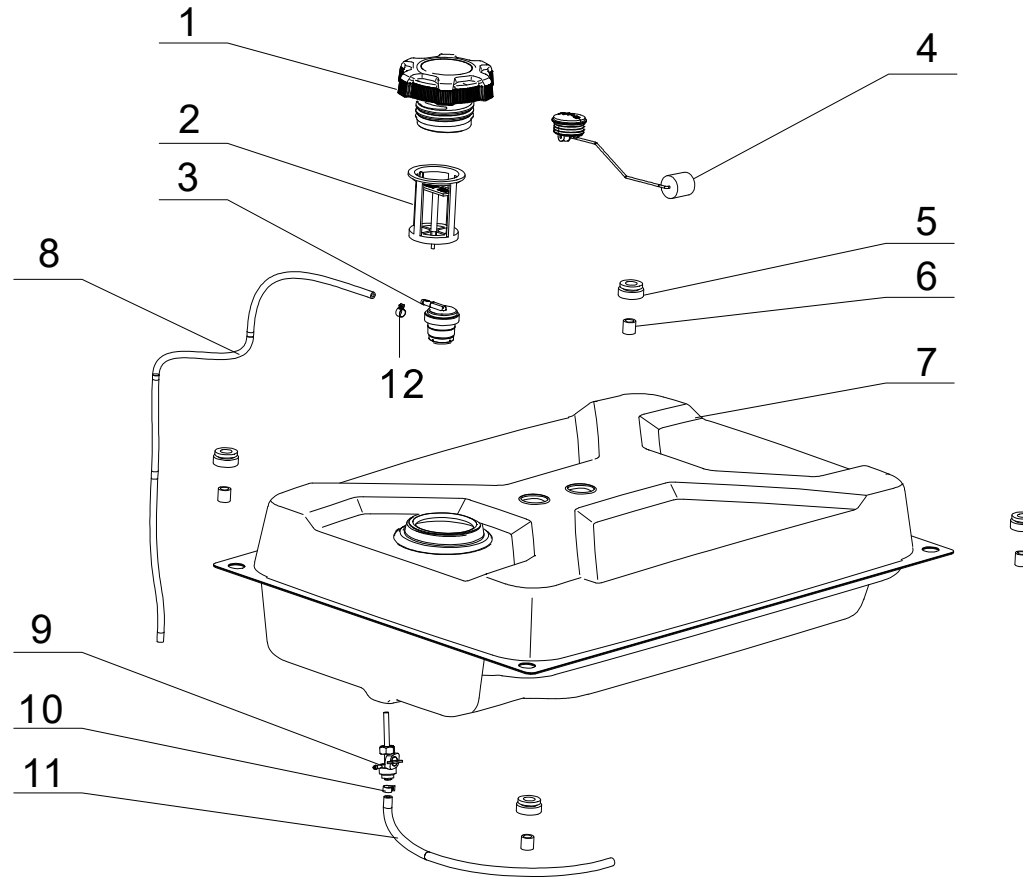


Figure F

FUEL TANK PARTS LIST

#	Part Number	Description	Qty.
1	16730-YGM0110-00A0	Fuel Tank Cap	1
2	16652-YGM0110-00A0	Fuel Filter	1
3	15150-YGK0110-00A0	One Way Valve	1
4	37200-YGM0110-00A0	Fuel Gauge	1
5	16601-Y020120-0001	Vibration Mount, Fuel Tank	4
6	90683-Y020110-0000	Bushing, White Zinc	4
7	16620-YGM0110-L4A0	Fuel Tank, 7.7 gal, PMS 109C	1
8	16804-YGM0110-0000	Connection Pipe, Ø4.5 x Ø8.5 x 860	1
9	16750-Y020211-0000	Fuel Valve Assembly	1
10	90685-Z030610-0300	Clamp, Ø8, Black Zinc	1
11	30431-YCM0310-0000	Rubber Sleeve, Ø9.5 x Ø11 x 150	1
12	90740-Z010610-00A1	Clamp, Ø9	1

CONTROL PANEL PARTS DIAGRAM

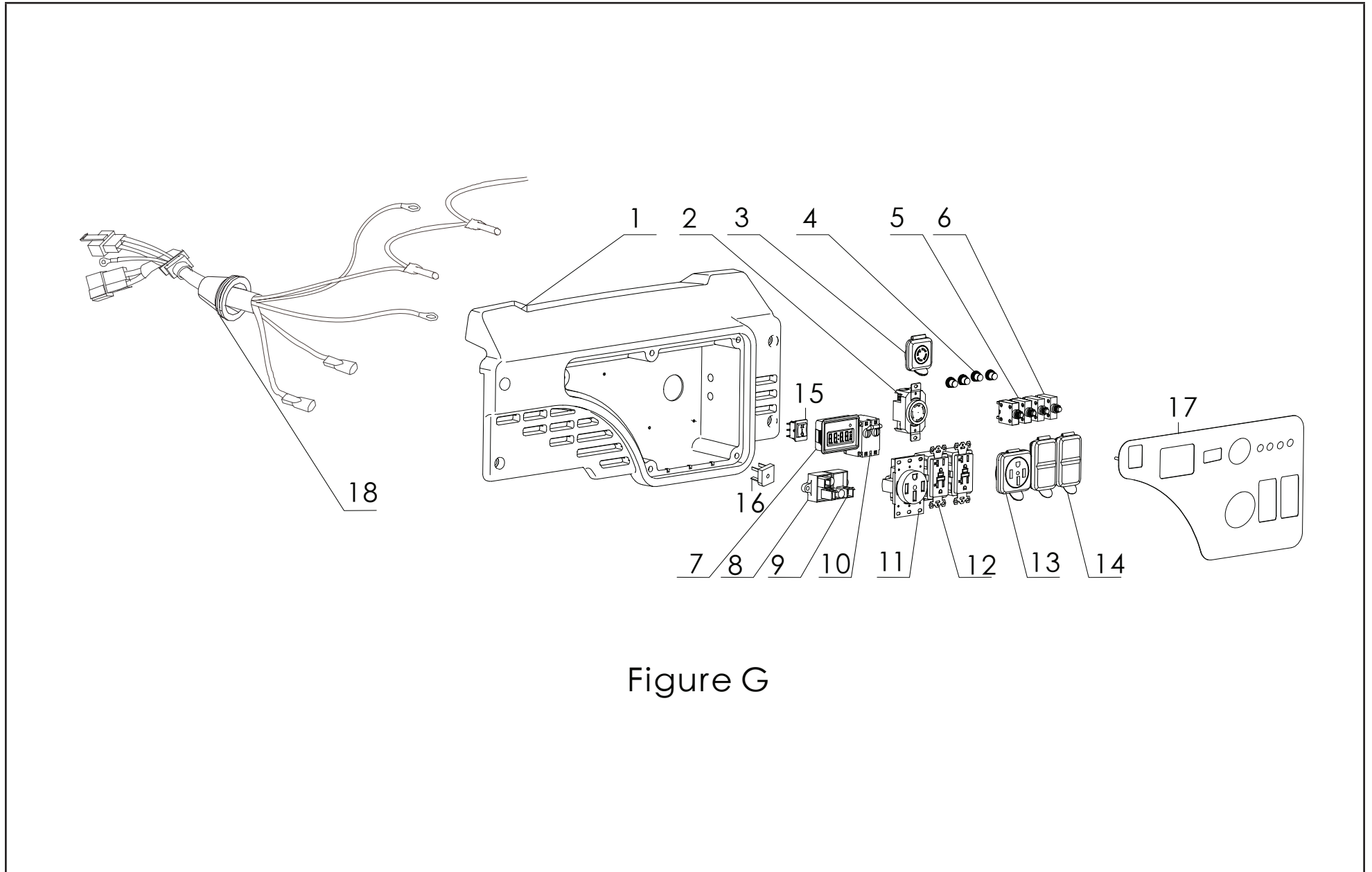


Figure G

CONTROL PANEL PARTS LIST

#	Part Number	Description	Qty.
1	35680-YGM0110-Q2A0	Housing, Control Panel	1
2	35614-Y4D0210-0000	L14-30R Receptacle, 30A, 125V	1
3	35654-YBE0210-0000	Receptacle Cover, L14-30R	1
4	35654-YGK0110-0000	Cover, Push Botton	4
5	31234-Y4D0110-0000	30 Amp Circuit Breaker, Push Botton	2
6	31234-YBE0210-0000	20 Amp Circuit Breaker, Push Botton	2
7	35632-YGM0310-0000	Display, INT1BOF	1
8	30007-Y9X0210-0000	Charging Module	1
9	30008-YGK0210-0000	OVF Module	1
10	35627-YGM0310-0000	39.5 Amp Circuit Breaker, 2P Flip	1
11	35614-Y4D0310-0000	14-50R Receptacle, 50A, 125V/250V	1
12	35614-Y9X0110-0000	5-20R GFCI Receptacle, 20A, 125V	2
13	35654-Y2T0210-0000	Receptacle Cover, 14-50R	1
14	35654-YBE0110-0000	Receptacle Cover, 5-20R	2
15	35160-Y7C0110-0000	Switch, Engine	1
16	35621-Y020110-0000	Bridge, Rectification	1
17	35650-YGM0210-H200	Control Panel	1
18	35660-YGM0210-00A0	Wiring Harness	1

FRAME ASSEMBLY PARTS DIAGRAM

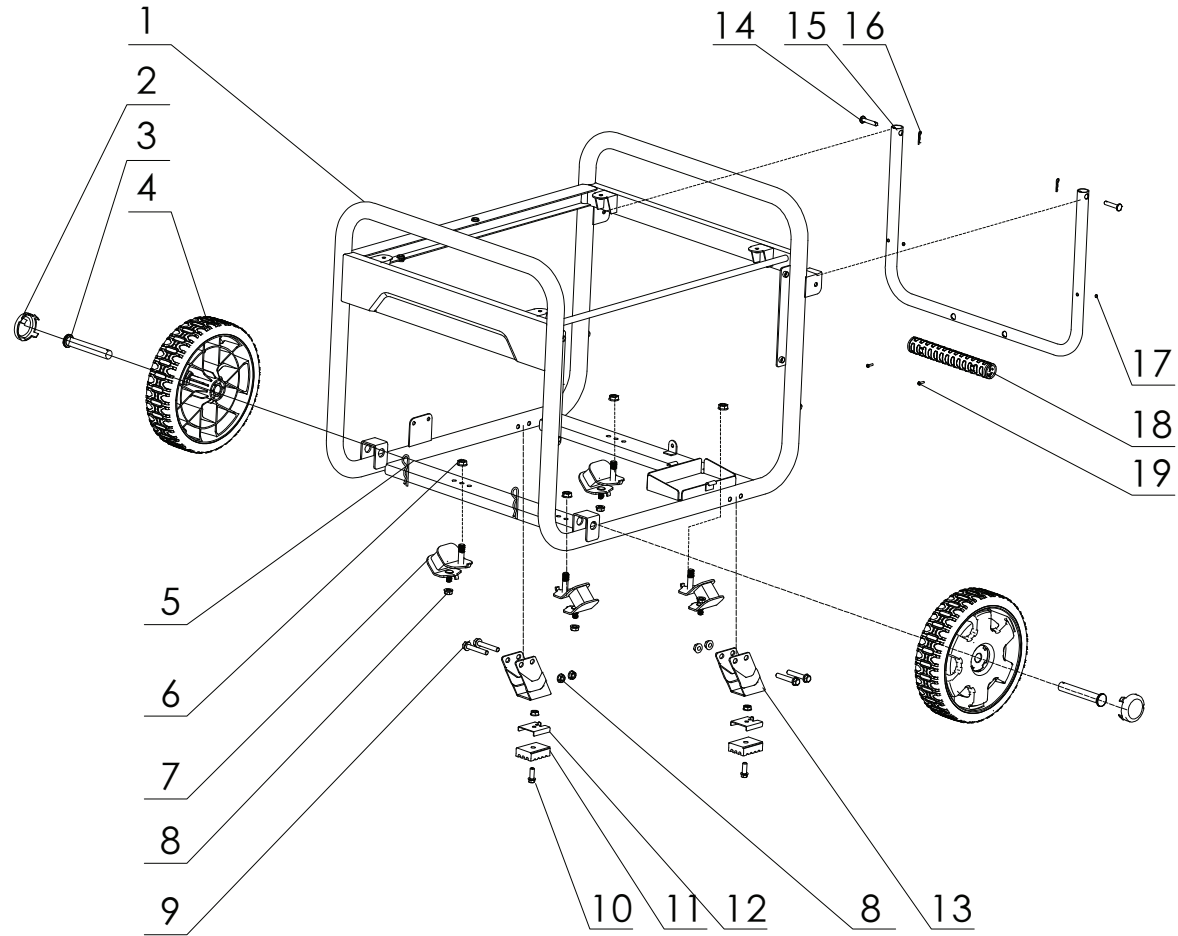


Figure H

FRAME ASSEMBLY PARTS LIST

#	Part Number	Description	Qty.
1	51100-YGM0210-H2A0	Frame Weldment, Ø32, 707 x 587 x 597	1
2	44001-V580110-L401	Cover, Wheel Hub, Yellow	2
3	44020-YGM0110-0300	Roll Pin, Black Zinc	2
4	44110-YGM0110-L400	Wheel, 9.5 in., Yellow	2
5	90501-Y2C0110-03A1	Pin, Black Zinc	2
6	90306-1000A0301	Flange Nut, M10, Black Zinc	4
7	51012HY030120-0000	Rear Vibration Mount, Frame	4
8	90305-0800-3305	Hexagon Flange Nut, M8, Black Zinc	8
9	90001-0850-0301	Hexagon Flange Bolt, M8 x 50, Black Zinc	4
10	90001-0612-0305	Hexagon Flange Bolt, M6 x 12, Black Zinc	2
11	51014-YJ70110-0000	Foot, Rubber	2
12	24329-YJ70110-H200	Bracket, Rubber Foot	2
13	51016-YJ70110-H2A0	Support Leg	2
14	90504-YGM0110-0300	Pin Shaft, Ø8 x 20, Black Zinc	2
15	54110-YGM0110-H2A0	Handle, Ø25 x 1.2	1
16	90583-YGK0110-03A0	R Pin, Ø2 x 38, Black Zinc	2
17	90722-YEC0110-0001	Plug, End	2
18	54101-YGM0110-L400	Handle Sheath	1
19	90103-0416-5301	Screw, M4 x 16, Black Zinc	2

WIRING DIAGRAM

