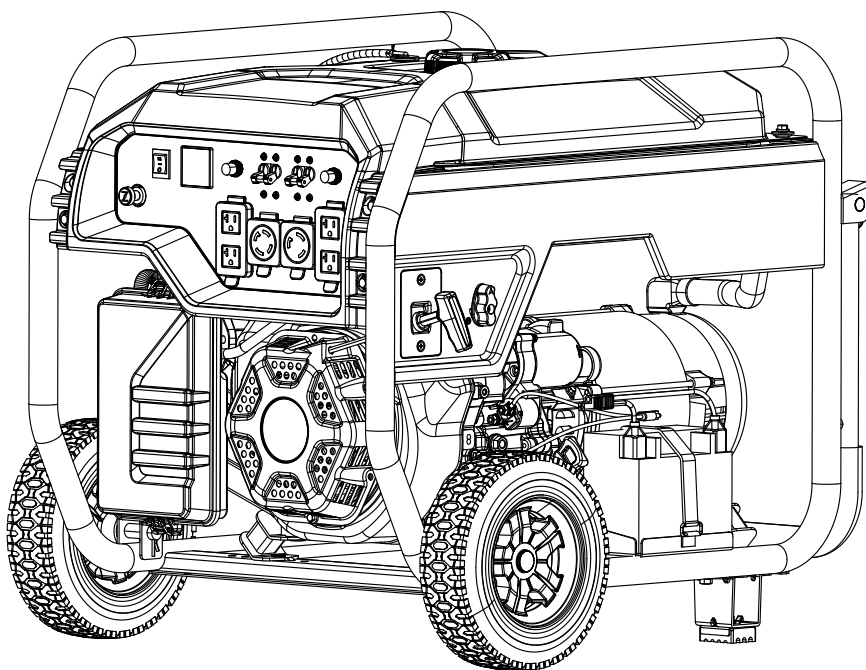




MODEL #BD100621



PARTS INFORMATION

9500W ELECTRIC START GENERATOR

SERIAL NUMBER RANGE: 21MAR1100265-R2201280327



To order replacement parts please call:
1-888-376-7375.

TABLE OF CONTENTS

Generator Diagram	3
Generator Parts List	4
Engine Diagram	5
Engine Parts List	6
Cylinder Head Diagram	8
Cylinder Head Parts List	9
Carburetor Diagram	10
Carburetor Parts List	11
Alternator Diagram	12
Alternator Parts List	13
Fuel Tank Diagram	14
Fuel Tank Parts List	15
Control Panel Diagram	16
Control Panel Parts List	17
Frame Assembly Diagram	18
Frame Assembly Parts List	19
Wiring Diagram	20

GENERATOR DIAGRAM

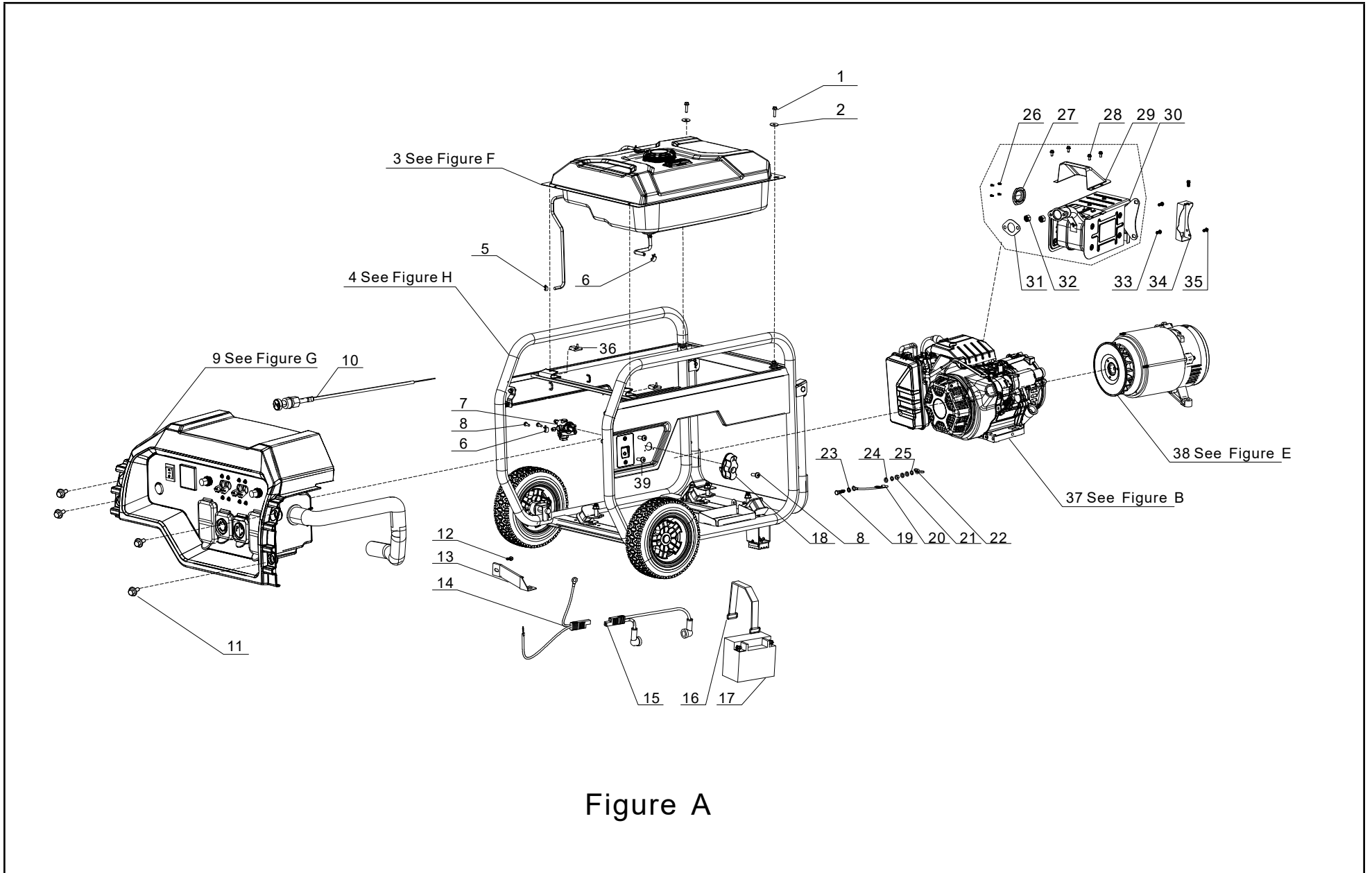


Figure A

GENERATOR PARTS LIST

#	Part Number	Description	Qty.
1	90007-0620-A301	Hexagon Flange Bolt, M6x20, Black Zinc	2
2	90408-Y020110-0005	Flat Washer, Ø6, Black Zinc	2
3	100621 - YXZJ - F	Fuel Tank Assembly - See Figure F	1
4	100621 - JJZJ - H	Frame Assembly - See Figure H	1
5	90685-Z080210-0G00	Clamp, Ø9 8x0.8	1
6	90685-Z080110-0G00	Clamp, Ø8.5x8x0.6	2
7	16750-YJE0110-0000	Fuel Valve Assembly	1
8	90103-0412-5301	Screw, M4 x 12, Black Zinc	3
9	35610-YJS0110-H200	Control Panel Assembly - See Figure G	1
10	16080-YJS0110-Q2A0	Choke Cable Assembly	1
11	90007-0616-A305	Hexagon Flange Bolt, M6 x 16, Black Zinc	4
12	90001-0612-0305	Hexagon Flange Bolt, M6 x 12, Black Zinc	1
13	17003-YJ70110-0100	Air Cleaner Support	1
14	31114HYGM0110-0001	DC Wire Harness, Engine	1
15	31112HYGM0210-0000	DC Wire Harness, Battery	1
16	"31115-Y6D0110-0001"	Battery Strap	1
17	31110-Y9X0110-00A0	Battery	1
18	16754-YJS0110-Q2A0	Knob, Fuel Shutoff	1
19	90001-0625-0305	Hexagon Flange Bolt, M6 x 25, Black Zinc	1
20	30009-Y910110-0000	Grounding Wire	1
21	90303-0600-3305	Hexagon Nut, M6, Black Zinc	1
22	90312-0600-0301	Wing Nut, M6, Black Zinc	1
23	90415-0600-Z301	Lock Washer, Toothed, Black Zinc	1
24	90408-0600-E305	Flat Washer, Black Zinc	3
25	90403-0600-0305	Spring Washer, Black Zinc	2
26	90107-0510-53	Hexagon Bolt, M5x10, Black Zinc	4
27	18250-YJP0110-0000	Spark Arrestor	1
28	90007-0612-A301	Hexagon Flange Bolt, M6 x 12, Black Zinc	4
29	80019-YJP0210-H7A0	Guide Hood, Muffler	1
30	18100-YGM0210-H7A0	Muffler Assembly	1

#	Part Number	Description	Qty.
31	18101-Z0D0310-00A0	Exhaust Outlet Gasket	1
32	90303-0800-0301	Hexagon Nut, M8, Black Zinc	2
33	90001-0816-0305	Hexagon Flange Bolt, M8 x 16, Black Zinc	2
34	18030-Y730110-000C	Muffler Bracket	1
35	90001-0816-0109	Hexagon Flange Bolt, M8 x 16, White Zinc	2
36	16602-YJS0110-0000	Vibration Mount, Fuel Tank	2
37	R500DV000F3-CMP314	Engine - See Figure B	1
38	100621 - DJZJ - E	Alternator - See Figure E	1
39	90104-0512-5301	Screw, M5 x 12, Black Zinc	2

ENGINE DIAGRAM

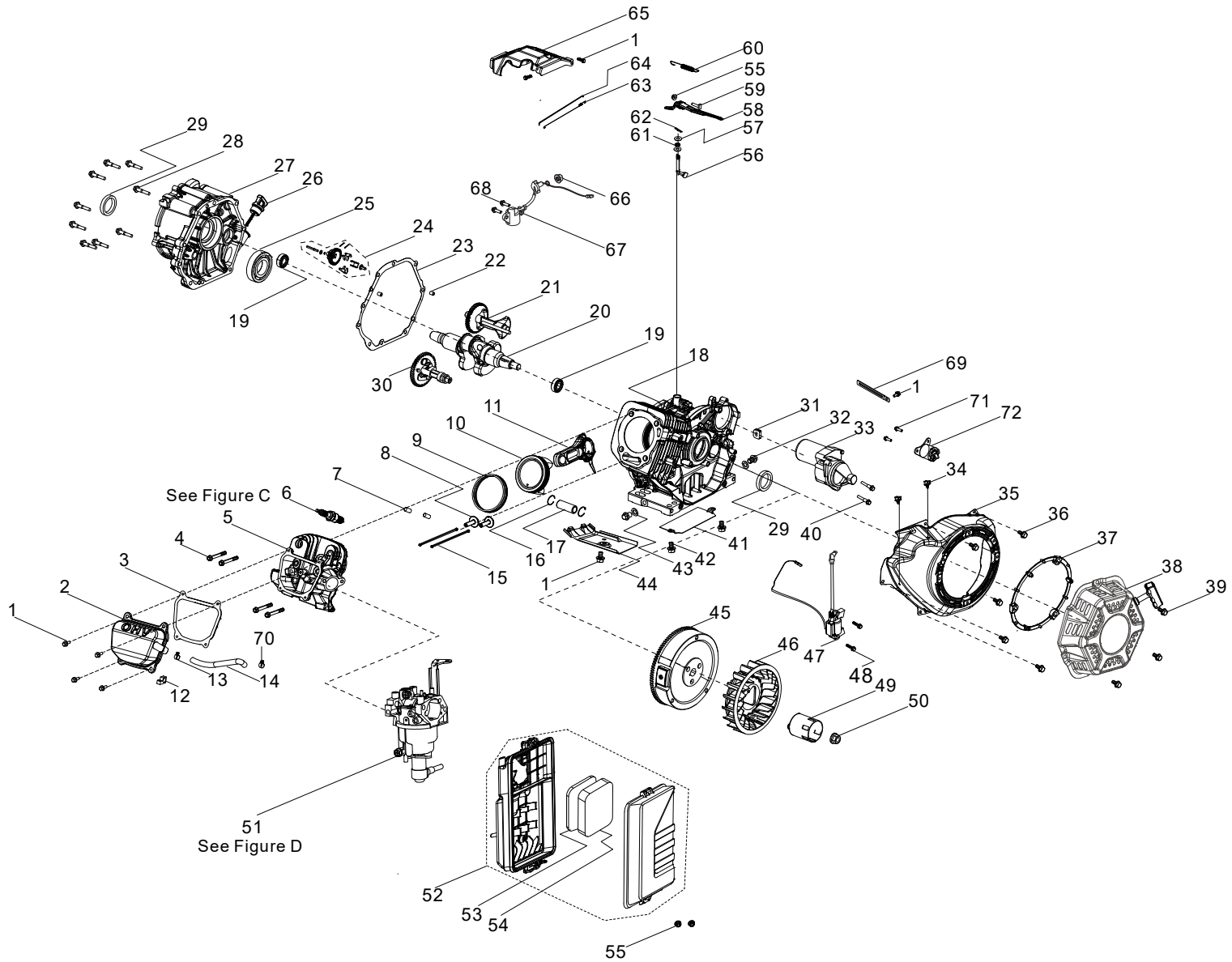


Figure B

ENGINE PARTS LIST

#	Part Number	Description	Qty.
1	90001-0612-01A1	Hexagon Flange Bolt, M6 x 12, White Zinc	8
2	12410-Z0D0110-01A0	Cylinder Head Cover, Blue White Zinc	1
3	12004-Z0J0510-0000	Cylinder Head Cover Gasket	1
4	12003-Z0N0110-0100	Cylinder Head Bolt, M10 x 85, White Zinc	4
5	R500DV - QGT - C000	Cylinder Head - See Figure C	1
6	30010-Z010110-0000	Spark Plug, F6RTC	1
7	90502-1220-00A0	Pin, Ø12 x 20	2
8	14081-Z080110-0000	Valve Tappet	2
9	13200-Z0D0110-0009	Piston Ring Assembly	1
10	13111-Z0D0110-0009	Piston	1
11	13010-Z0D0110-00A0	Connecting Rod	1
12	90804-Y5Z0210-0001	Stop Block	1
13	90685-Z130210-0100	Clamp, Ø17 x 1.4, White Zinc	1
14	17004-Z0D0310-0000	Tube, Breather, Ø12.5xØ16 x 108	1
15	14070-Z0D0110-0000	Valve Lifter, Ø6 x 191	2
16	13122-Z100110-0000	Piston Pin Clip	2
17	13121-Z0D0110-0000	Piston Pin	1
18	11310-Z0D0110-0BA0	Crankcase Assembly	1
19	90548-0202-00A0	Bearing	2
20	13300-Z0D0110-00A0	Crankshaft Assembly	1
21	13401-Z0D0110-0000	Balancing Shaft	1
22	90502-0812-00A0	Pin, Ø8 x 12	2
23	11001-Z0D0110-0000	Crankcase Gasket	1
24	16400-Z100110-0000	Governor Gear Assembly	1
25	90547-6208-00A1	Bearing	1
26	15010-Z0D0110-Q200	Oil Dipstick	1
27	11411-Z0D0110-0BA0	Crankcase Cover	1
28	90001-0840-0101	Hexagon Flange Bolt, M8 x 35, White Zinc	9
29	90682-Z0J0110-0001	Oil Seal, Ø52 x Ø40 x 9	2
30	14200-Z0D0110-0009	Camshaft Assembly	1

#	Part Number	Description	Qty.
31	28101-Z080110-0002	Plug, Rubber	1
32	11007-Z080110-0300	Drain Plug Bolt, M12 x 18, Black Zinc	2
33	09100-Z170310-0100	Starter Motor	1
34	90685-Z940310-0001	Clamp	2
35	28110-Z710710-H200	Cover, Engine Fan, PMS Black C	1
36	90001-0612-0305	Hexagon Flange Bolt, M6 x 12, Black Zinc	5
37	28261-Z980110-0001	Retainer Ring, Recoil Starter	1
38	28200-Z0D0310-H201	Recoil Starter Assembly	1
39	90001-0620-03	Hexagon Flange Bolt, M6 x 20, Black Zinc	3
40	90001-0835-01A1	Hexagon Flange Bolt, M8 x 35, White Zinc	2
41	19306-Z0D0110-0100	Air Deflector, Crankcase, Blue White Zinc	1
42	90001-0610-01A1	Hexagon Flange Bolt, M6 x 10, White Zinc	2
43	90412-Z080110-00A0	Washer, Ø21 x Ø12 x 2	2
44	19304-Z100210-01A0	Air Deflector, Cylinder Body	1
45	13510-Z0D0410-0000	Flywheel	1
46	19352-Z100120-00A2	Engine Fan	1
47	30400-Z0D0110-0000	Ignition Coil	1
48	90001-0628-0101	Hexagon Flange Bolt, M6 x 28, White Zinc	2
49	28002-Z0D0110-0000	Starter Pulley, Blue White Zinc	1
50	13501-Z080110-00A0	Flywheel Nut, M16 x 1.5, White Zinc	1
51	100621 - HYQ - D	Carburetor Assembly - See Figure D	1
52	17100-Z0D0410-0000	Air Cleaner Assembly	1
53	17151-Z0D0210-0000	Element 1, Air Cleaner	1
54	17151-Z0D0310-0000	Element 2, Air Cleaner	1
55	90305-0600-01A1	Hexagon Flange Nut, M6, White Zinc	3
56	16061-Z0D0110-0000	Governor Arm	1
57	90412-Z080210-00A0	Washer, Ø8.4 x Ø19.5 x 0.8	2
58	16070-Z100120-0001	Governor Support Subassembly, White Zinc	1
59	16072-Z010110-0001	Governor Support Bolt, M6 x 21, White Zinc	1
60	16063-Z0D0110-0100	Spring, Governor, Ø1.8 x Ø19.5 x 136	1

#	Part Number	Description	Qty.
61	90682-Z100210-0001	Oil Seal, Ø14 x Ø8 x 4	1
62	90501-Z010110-0001	Pin, White Zinc	1
63	16012-Z080110-0000	Throttle Valve Returning Spring	1
64	16062-Z100110-0001	Gouverneur Rod, White Zinc	1
65	16520-Z0D0110-0100	Air Guide, Engine Fan, White Zinc	1
66	90305-Z010210-01A1	Hexagon Flange Nut, M10, White Zinc	1
67	37060-Z080410-0000	Engine oil Sensor, W/O Nut	1
68	90001-0616-01A0	Hexagon Flange Bolt, M6 x 16, White Zinc	2
69	90684-Z030120-0001	Clip, Ø6 x 10.6 x 100	1
70	90685-Z0D0110-0100	Clamp, Ø16 x 1.6	1
71	90001-0516-01	Hexagon Flange Bolt, M5 x 16, White Zinc	2
72	30500-Z170120-0000	Starting Relay	1

CYLINDER HEAD DIAGRAM

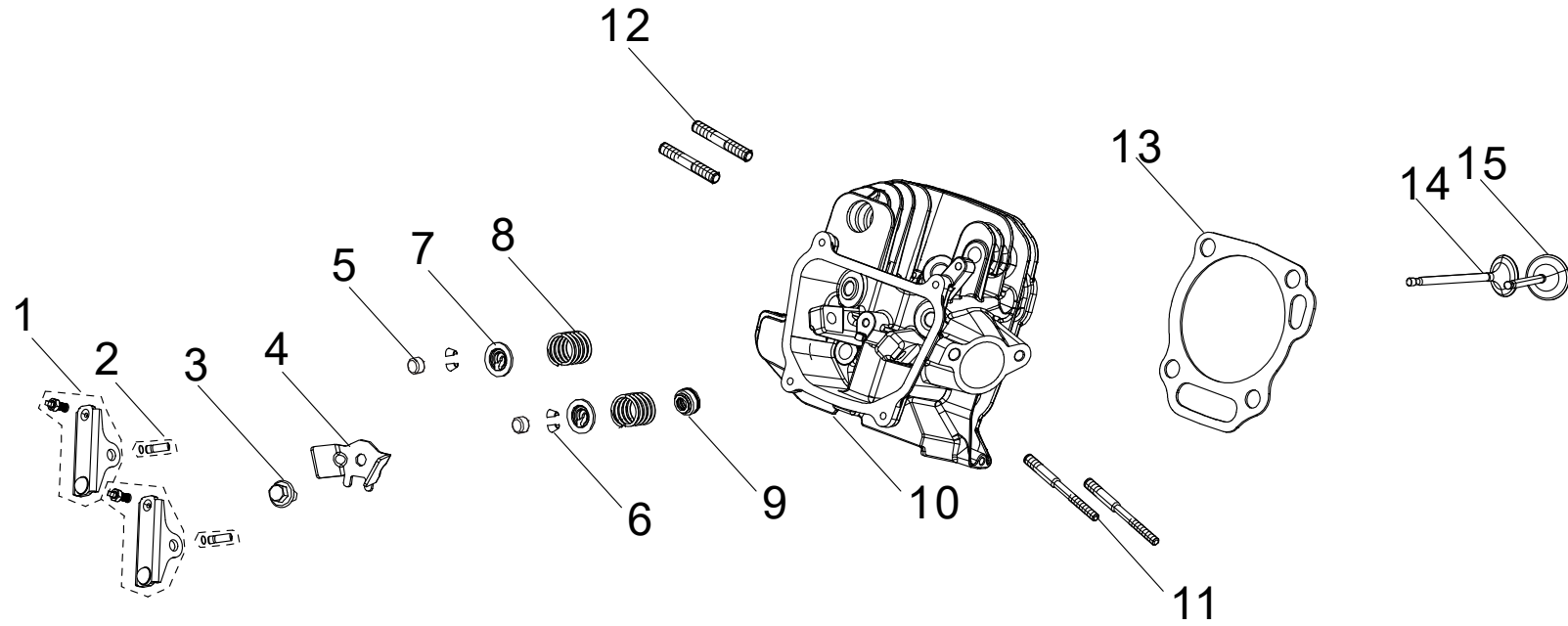


Figure C

CYLINDER HEAD PARTS LIST

#	Part Number	Description	Qty.
1	14310-Z0D0110-0000	Valve Rocker Arm	2
2	14318-Z990111-00A0	Rocker Arm Shaft Assembly	2
3	90001-0612-01A1	Hexagon Flange Bolt, M6 x 12, White Zinc	1
4	12419-Z950310-00A0	Pin Plate, Cylinder Head Cover	1
5	12104-Z010110-0000	Lash Cap, Valve	2
6	12109-Z0D0110-00A0	Valve Lock Clamp, Ø5.5×Ø9	4
7	12112-Z0D0110-0000	Valve Spring Retainer	2
8	12103-Z990110-0000	Valve Spring	2
9	12101-Z020110-0000	Valve Seal Guide	1
10	12140-Z0D0210-0BA9	Cylinder Head	1
11	90204-Z100410-0000	Stud, M6/M8 x 110, Black Zinc	2
12	90203-Z010110-0301	Stud, M8 x 34, Black Zinc	2
13	12131-Z0D0210-0000	Cylinder Head Gasket	1
14	12121-Z0D0210-0000	Exhaust Valve	1
15	12111-Z0D0210-0000	Intake Valve	1

CARBURETOR DIAGRAM

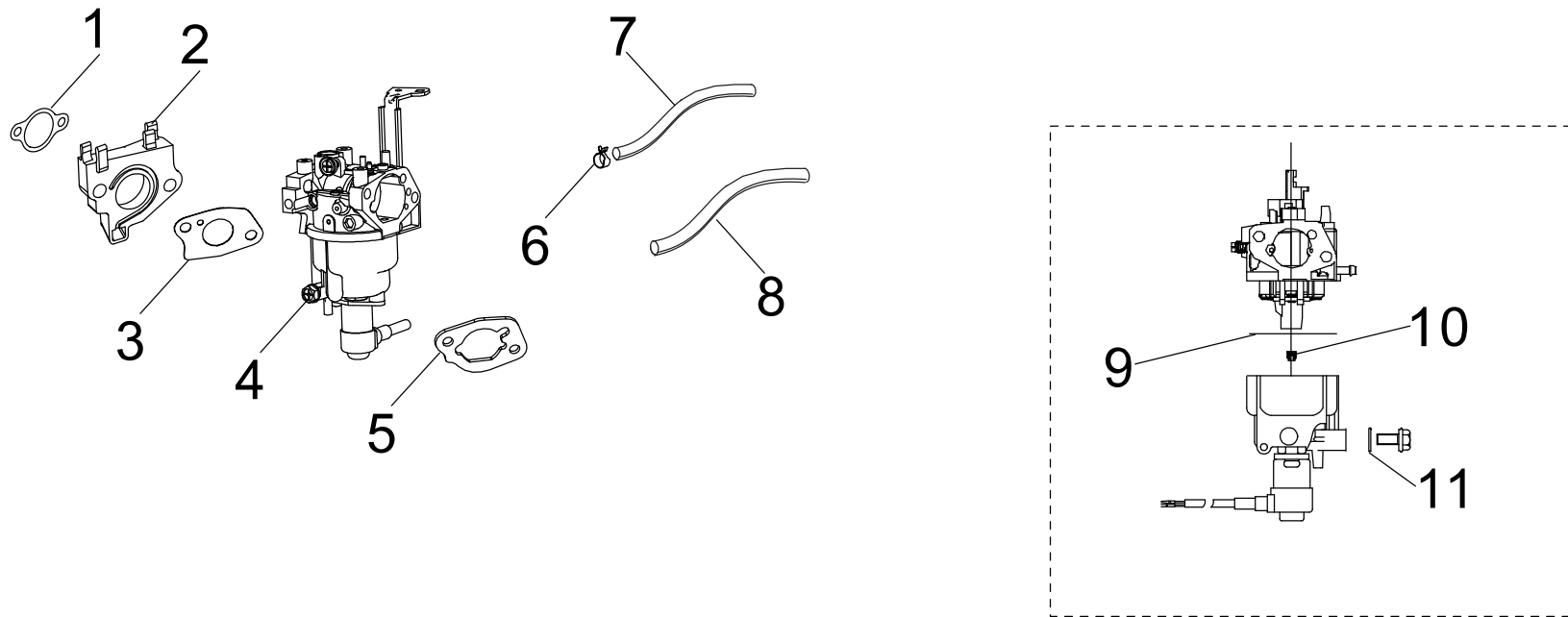


Figure D

CARBURETOR PARTS LIST

#	Part Number	Description	Qty.
1	17002-Z0D0110-0000	Gasket, Inlet	1
2	16003-Z0D0110-0001	Carburetor Insulator Plate	1
3	16001-Z100110-0000	Carburetor Gasket	1
4	16100-Z0D0810-00M0	Carburetor Assembly	1
5	17001-Z0D0110-0000	Air Cleaner Gasket	1
6	90685-Z030610-01A1	Clamp, Ø8 x 0.6 x 7, White Zinc	1
7	90686-Z0D0910-00M0	Tube, Fuel Ø4.5 x Ø8.5 x 435	1
8	30431-YCM0310-0001	Rubber Sleeve, Ø9.5 x Ø11 x 180	1
9	16112-Z080110-0000	Seal Ring, Float	1
10	16100-Z0D0810-00M0	Main Jet (H128×0.38), Standard	1
	16161-Z191210-00A2	Main Jet (H128×0.41), Altitude 3000-6000 Feet	/
	16161-Z100410-00A2	Main Jet (H128×0.43), Altitude 6000-8000 Feet	/
11	90681-Z010110-0000	Seal Ring	1

ALTERNATOR DIAGRAM

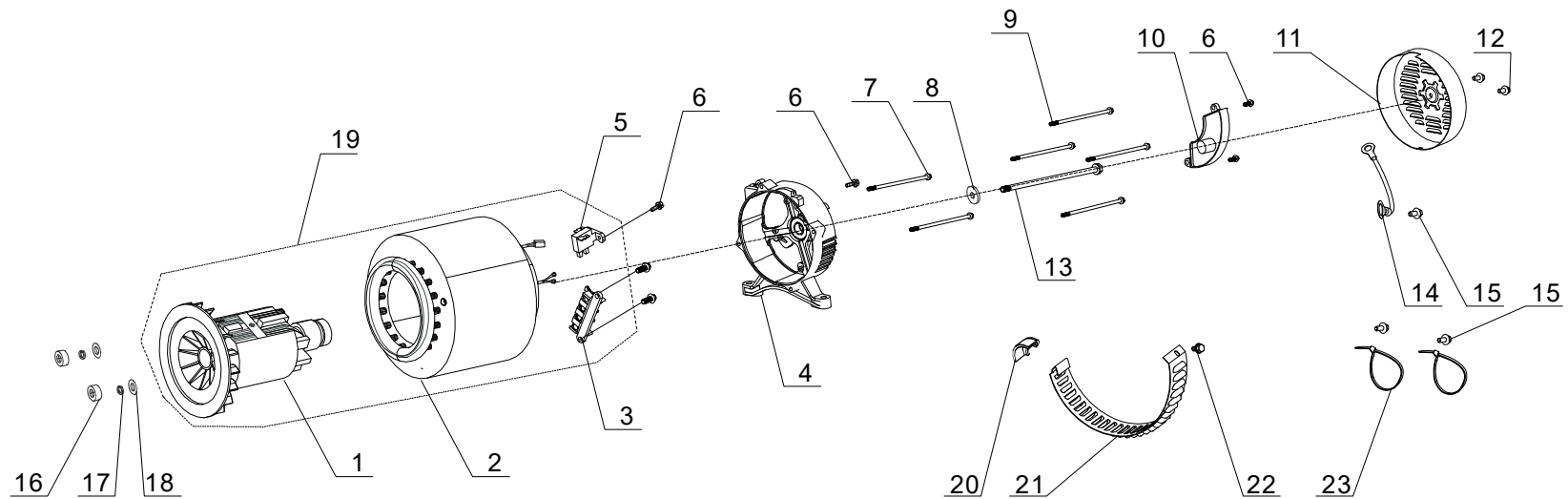


Figure E

ALTERNATOR PARTS LIST

#	Part Number	Description	Qty.
1	31330-YGM0210-0000	Rotor, AL, Ø204 x 158	1
2	31310-YGM0210-0000	Stator, AL, Ø204 x 158	1
3	31303HY090110-0000	Terminal Block	1
4	30021-YJ70111-00A0	End Housing	1
5	31320-YGM0110-0000	Carbon Brush Subassembly	1
6	90001-0516-0105	Hexagon Flange Bolt, M5 x 16, White Zinc	6
7	31316HYGM0110-0600	Bolt, Stator, M5 x 235	2
8	90408-Y030110-0100	Flat Washer, Ø10.4 x Ø30 x 4, Black Zinc	1
9	30048-Y950110-0100	Bolt, Stator, M6 x 199, Stator, White Zinc	4
10	30060-YGM0210-0000	AVR	1
11	30022-YGM0110-H200	Cover, End Housing, Black C	1
12	90001-0512-0301	Hexagon Flange Bolt, M5 x 12, Black Zinc	2
13	30049-Y950110-0101	Bolt, M10 x 1.25 x 285, Rotor, White Zinc	1
14	30009-YA60310-0000	Grounding Wire	1
15	90001-0512-0901	Hexagon Flange Bolt, M5 x 12, White Zinc	3
16	31317-Y030110-0000	Nut, Stator, M5, Black Zinc	2
17	90403-0500-03	Spring Washer, Black Zinc	2
18	90408-0500-E1A0	Flat Washer, Ø5, White Zinc	2
19	31300-YGM0210-0000	Alternator Assembly, AL, D204 x 158	1
20	30023-YC20110-00A0	Stopper, Motor Right Cover	1
21	30024-Y730110-0001	Vent, Engine Fan	1
22	90001-0510-0105	Hexagon Flange Bolt, M5 x 10, White Zinc	1
23	90727-Y020110-00A0	Band, 4x200	2

FUEL TANK DIAGRAM

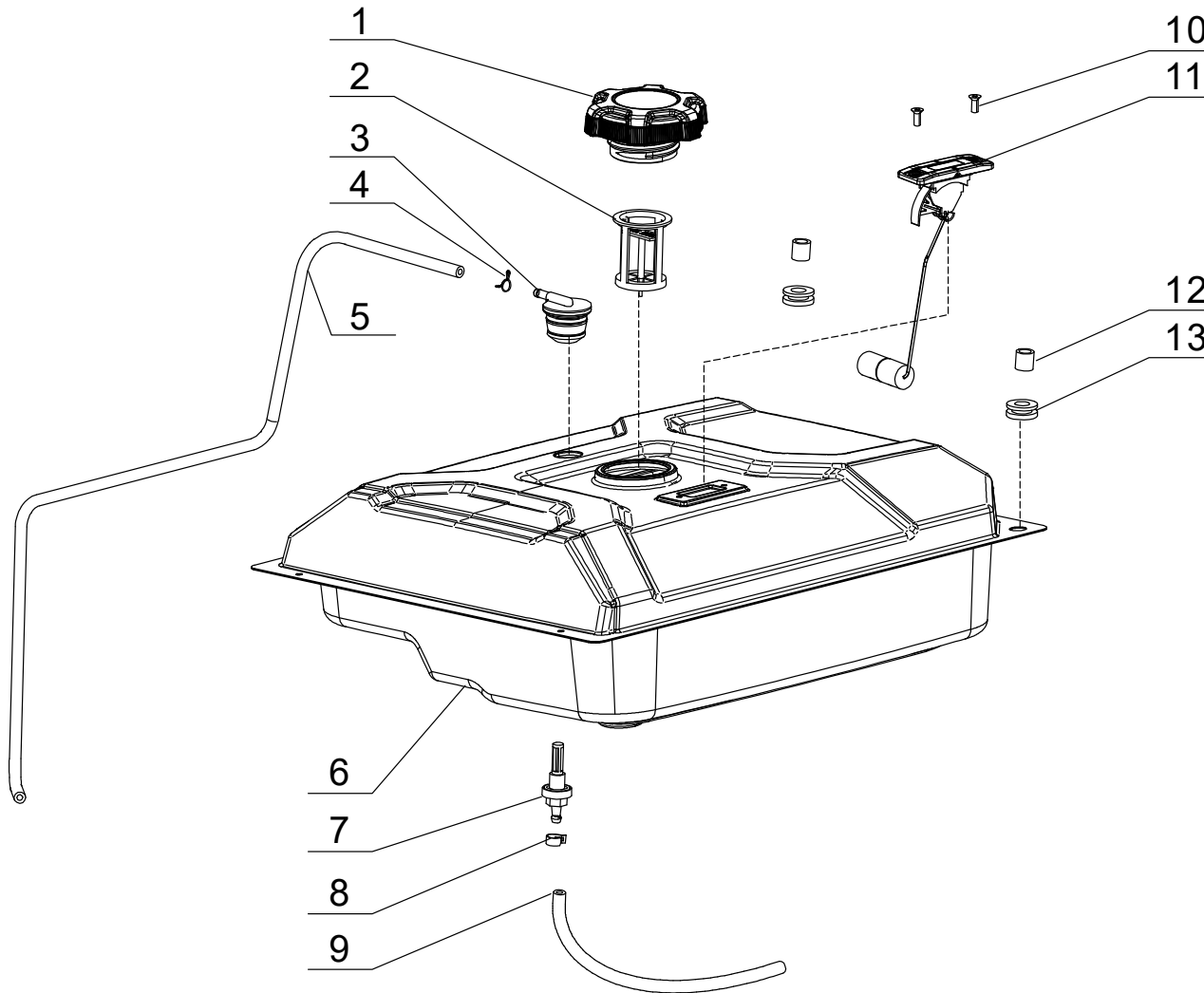


Figure F

FUEL TANK PARTS LIST

#	Part Number	Description	Qty.
1	16730-YGM0110-00A0	Fuel Tank Cap	1
2	16652-YGM0110-00A0	Fuel Filter	1
3	15150-YGK0110-00A0	One Way Valve	1
4	90740-Z010610-00A1	Clamp, Ø9	1
5	16804-Y2P0110-0000	Tube, Tank Vent, Ø4.5 x Ø8.5 x 750	1
6	16620-YJS0110-H2A0	Fuel Tank, PMS Black C	1
7	16680-YJ30110-00A0	Fitting, Fuel Tank Drain	1
8	90685-Z080210-0G00	Clamp, Ø9×8×0.8	1
9	90686-YJ70410-00M0	Tube, Fuel, Ø4.5 x Ø8.5 x 155	1
10	90104-0512-5301	Screw, M5 x 12, Black Zinc	2
11	37200-YJS0110-H3A0	Fuel Gauge	1
12	90683-Y020210-0100	Bushing, White Zinc	2
13	16601-Y020210-0001	Vibration Mount, Ø16×8.5, Fuel Tank	2

CONTROL PANEL DIAGRAM

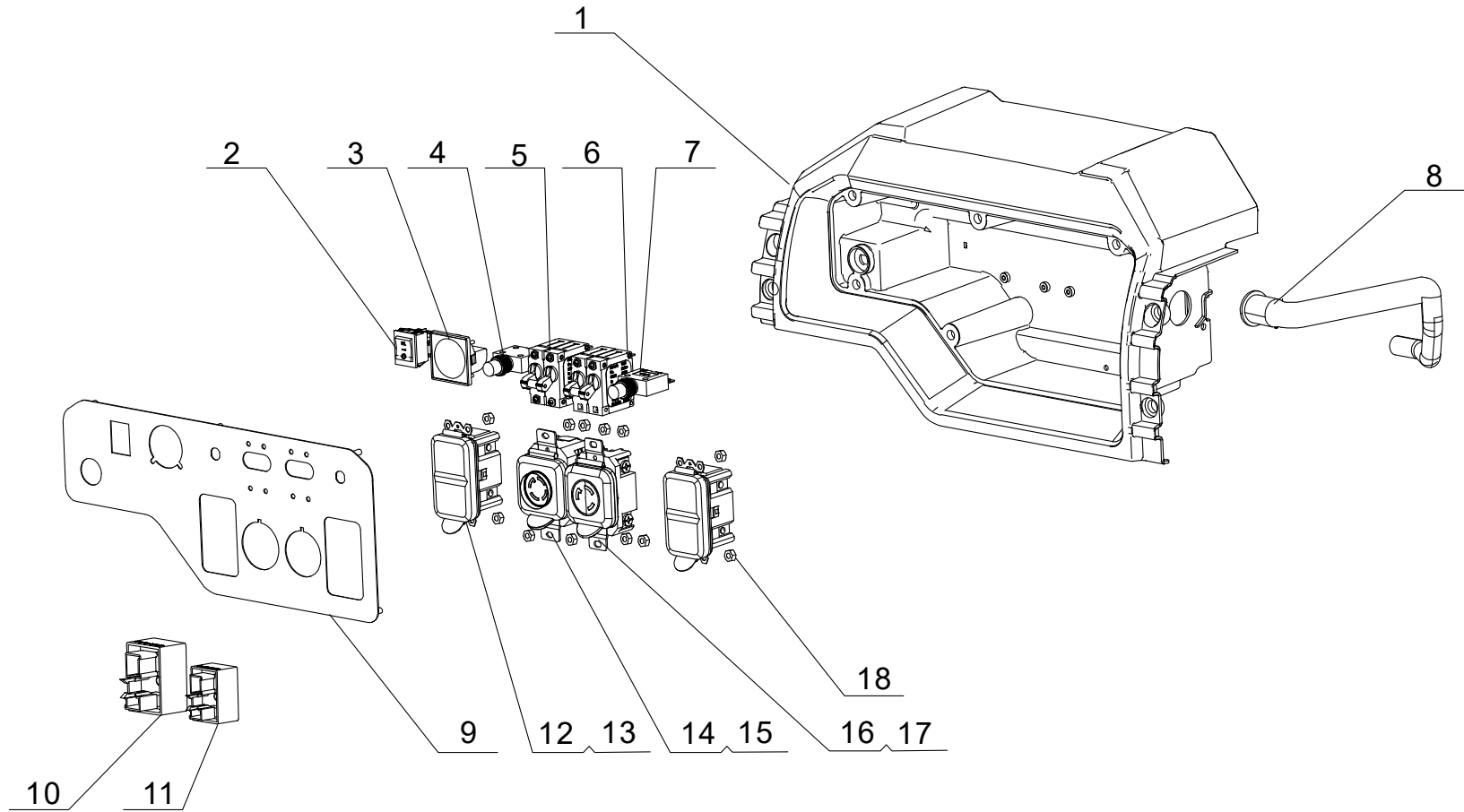


Figure G

CONTROL PANEL PARTS LIST

#	Part Number	Description	Qty.
1	35680-YJS0110-Q2A0	Housing, Control Panel	1
2	35160-Y7C0210-0000	Switch, Engine	1
3	35632-YGK0110-0000	Intelligauge, VFT-2	1
4	35654-YGK0110-0000	Cover, Push Button	2
5	35627-Y120310-0000	30Amp Circuit Breaker, 2P Flip	1
6	35627-YGM0310-0000	39.5Amp Circuit Breaker, 2P Flip	1
7	31234-YBE0210-0000	20Amp Circuit Breaker, Push Button	2
8	35660-YJS0110-0000	Wire Harness, Control Panel	1
9	35650-YJS0110-H200	Control Panel	1
10	30008-YGK0210-0000	Control Module	1
11	30007-Y9X0210-0000	Charging Module	1
12	35614-Y9X0110-0000	5-20R GFCI Receptacle, 20A, 125V	2
13	35654-YBE0110-0000	Receptacle Cover, 5-20R	2
14	35654-YBE0210-0000	Receptacle Cover, L14-30R	1
15	35614-Y4D0210-0000	L14-30R Receptacle, 20A, 125V	1
16	35654-YGK0210-0000	Receptacle Cover, L5-30R	1
17	35614-Y4D0110-0000	L5-30R Receptacle, 20A, 125V	1
18	90305-0400-71A0	Hexagon Flange Nut, M4, White Zinc	12

FRAME ASSEMBLY DIAGRAM

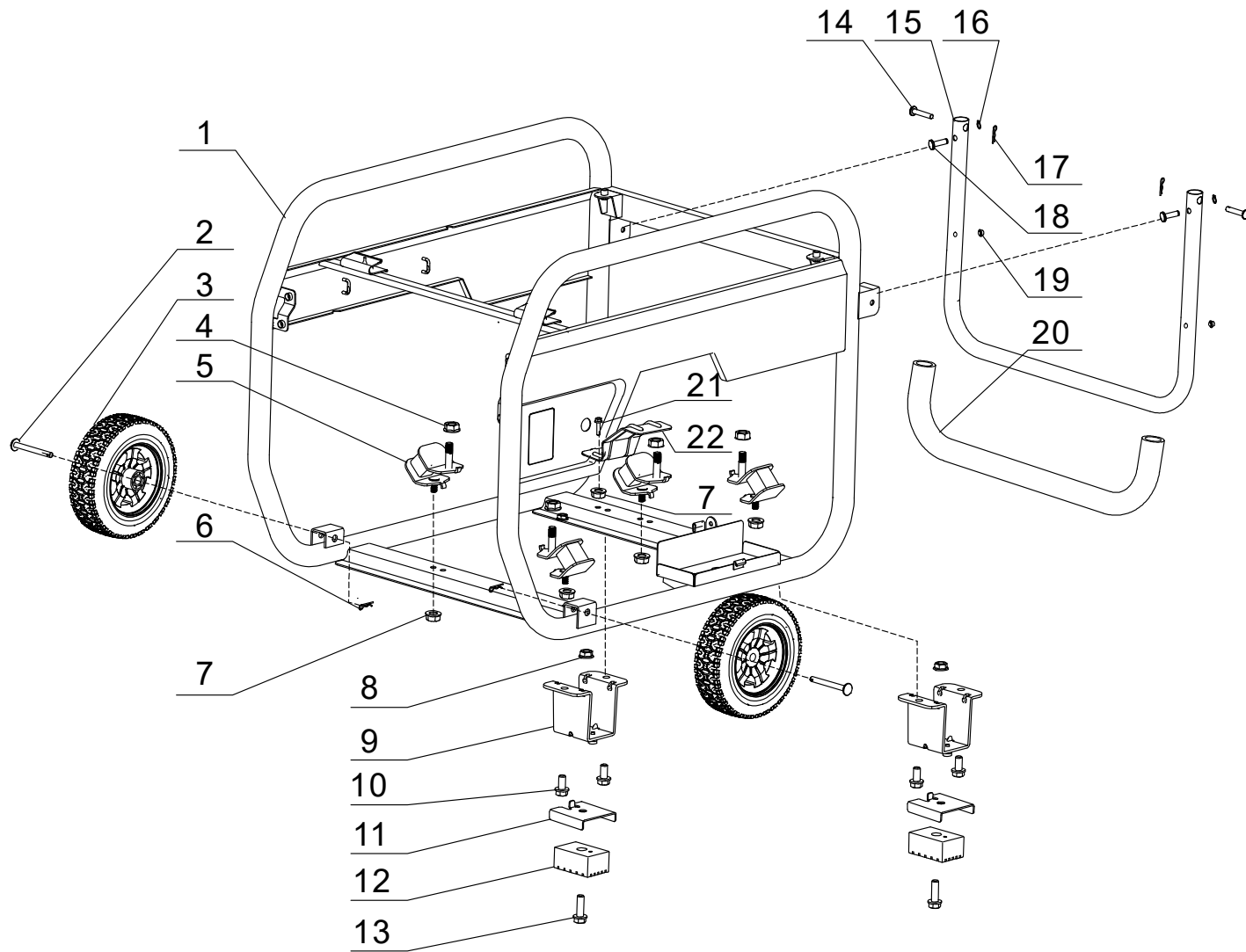


Figure H

FRAME ASSEMBLY PARTS LIST

#	Part Number	Description	Qty.
1	51100-YJS0110-H2A0	Frame Ø35, 755 x 561 x 600	1
2	44020-Y470110-0300	Roll Pin, Ø16.3 x 97.5, Black Zinc	2
3	44110-Y3Y0110-J6A0	Wheel, 9.5 in, PMS Cool Gray 11C	2
4	90306-1000A0301	Hexagon Flange Nut, M10, Black Zinc	4
5	51012HY030120-0000	Vibration Mount 1, Frame	4
6	90501-Y2C0110-03A1	R-Clip, Ø3 x 65.5, Black Zinc	2
7	90305-0800-3305	Hexagon Flange Nut, M8, Black Zinc	5
8	90305-0600-3301	Hexagon Flange Nut, M6, Black Zinc	2
9	51016-YJS0110-H2A0	Support Leg	2
10	90001-0816-0305	Hexagon Flange Bolt, M8 x 16, Black Zinc	4
11	24329-YJ70110-H200	Block, Anti-Rotation	2
12	51014-YJ70110-0000	Vibration Mount, Support Leg	2
13	90001-0620-0305	Hexagon Flange Bolt, M6 x 20, Black Zinc	2
14	90504-Y9X0110-0305	Pin Shaft, Black Zinc	2
15	54110-YJS0110-H2A0	Handle, Ø25 x 1.2	1
16	90573-0800-0601	Circlip, Pin Shaft	2
17	90583-YGK0110-03A0	R-Clip, Ø2 x 38, Black Zinc	2
18	90504-YJ70110-0300	Pin Shaft, Ø8 x 25, Black Zinc	2
19	90722-YEC0110-0001	Plug, End	2
20	54101-YJ70110-0000	Handle Grip	1
21	90001-0816-0305	Hexagon Flange Bolt, M8 x 16, Black Zinc	1
22	24329-YGM0210-H2A0	Heat Insulator	1

WIRING DIAGRAM

