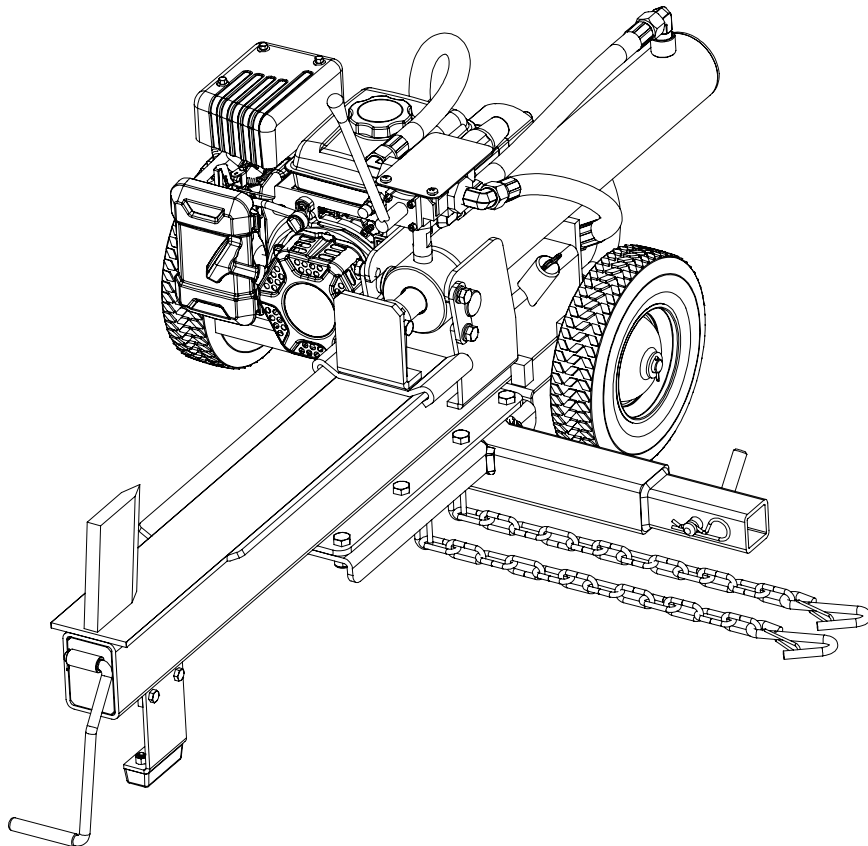




Champion Power Equipment, Inc., Santa Fe Springs, CA USA

MODEL #201124



PARTS INFORMATION

9 TON HITCH MOUNT LOG SPLITTER

SERIAL NUMBER RANGE: ALL

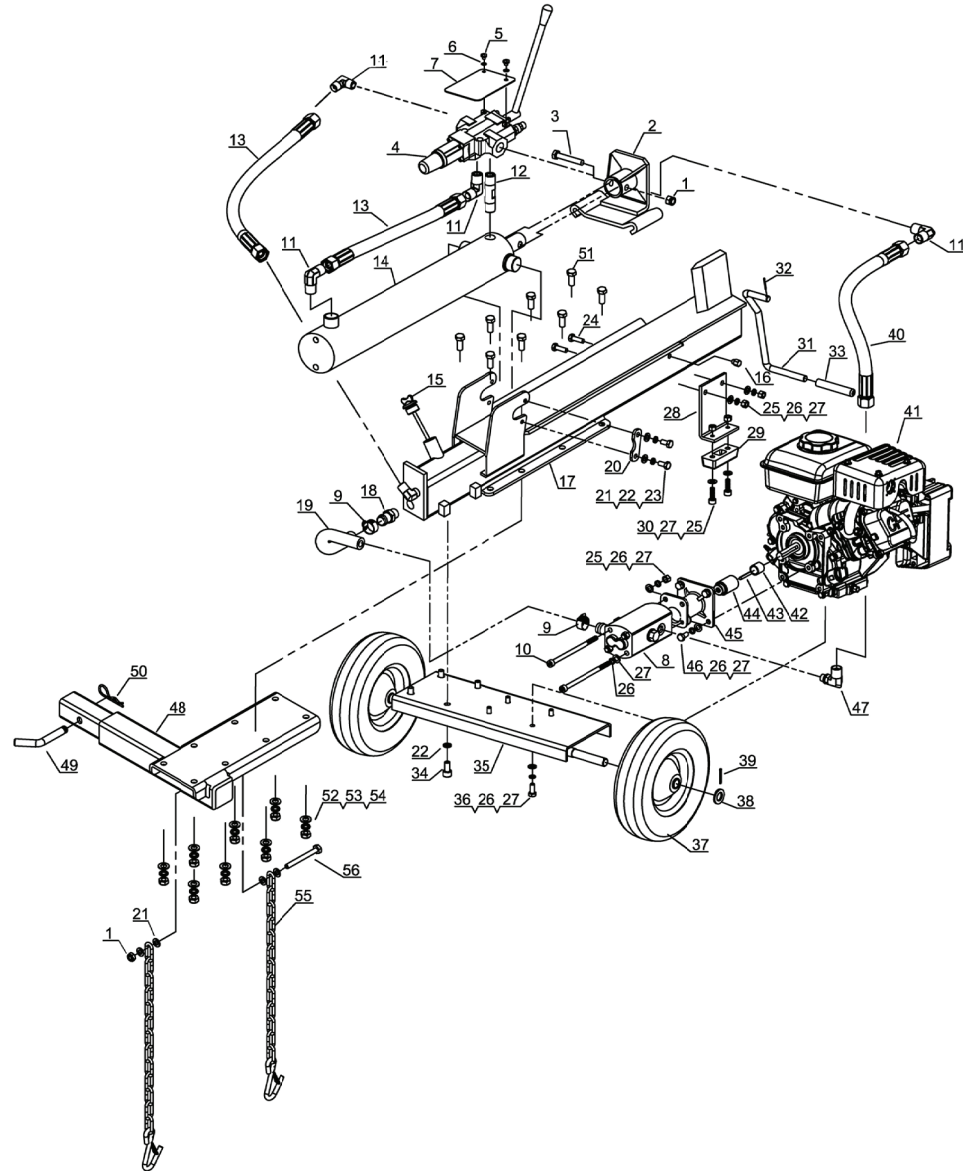


To order replacement parts please visit:
shop.championpowerequipment.com
or call **1-877-338-0999**.

TABLE OF CONTENTS

Parts Diagram	3
Parts List	4
Engine Parts Diagram	5
Engine Parts List	6

PARTS DIAGRAM

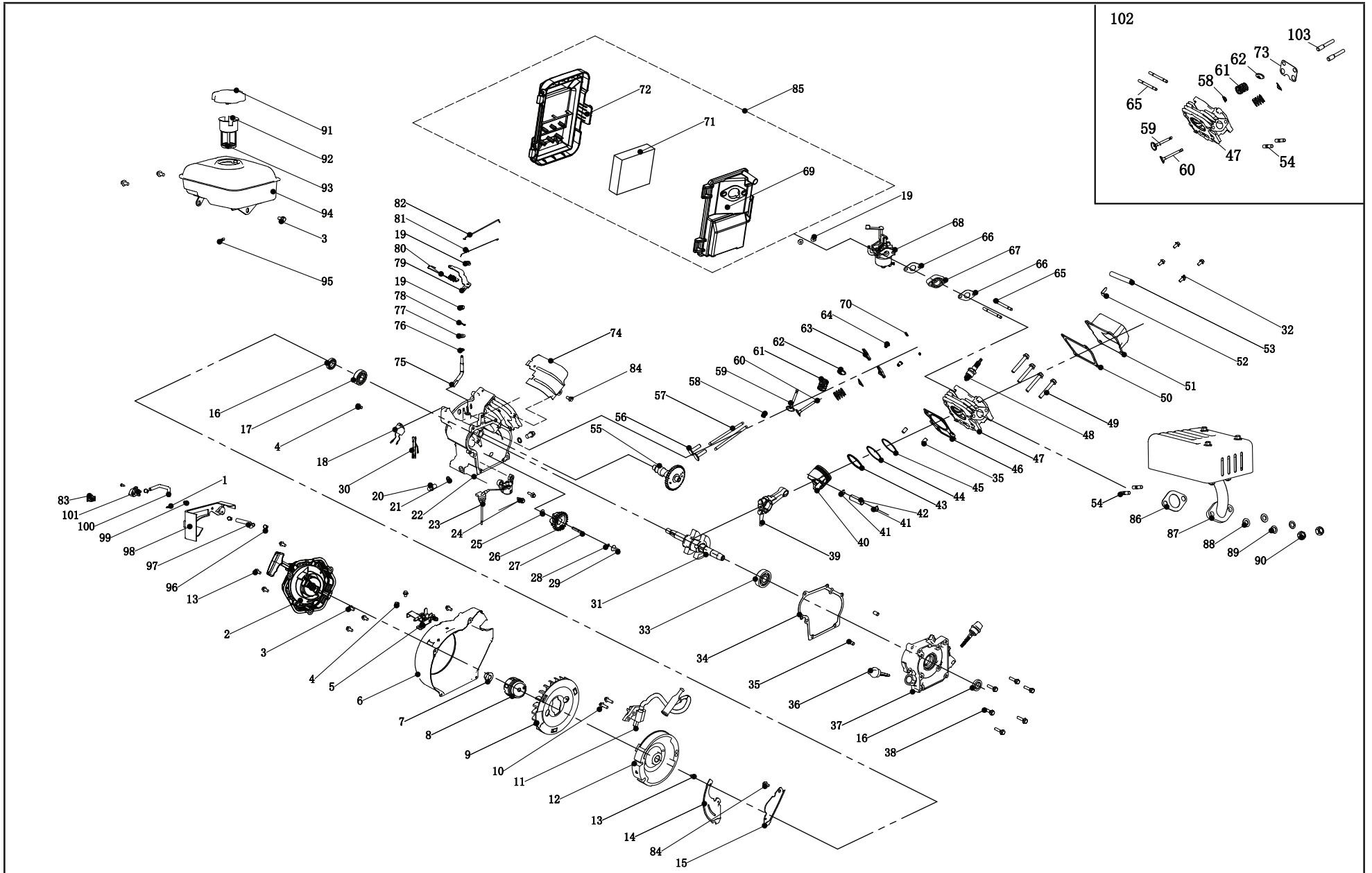


PARTS LIST

#	Part Number	Description	Qty.
1	G889.1-2000-M10	Lock Nut M10	2
2	PMJ7-02A	Bracket	1
3	G5782-2000-M10-60	Bolt M10 x 60	1
4	PMJ7-21	Control Valve	1
5	G818-2000-M6-10	Bolt M6 x 10	2
6	G93-1987-6	Lock Washer Ø6	2
7	PMJ7-23	Plate	1
8	PMJ7-32	Gear Pump	1
9	J8870-1999-d25	Clamp d25	2
10	G70.1-2000-M8-148	Bolt M8 x 148	2
11	PMJ7-15	Right Angle Joiner 2	4
12	PMJ7-22	Through Joiner 2	1
13	PMJ7-25	Hydraulic Hose, Valve - Cylinder	2
14	PMJ7-08	Cylinder	1
15	PMJ7-05	Dipstick	1
16	PMJ7-24B	Breather Bolt	1
17	PMJ7-01B	Beam	1
18	PMJ7-18	Through Joiner 1	1
19	PMJ7-19	Oil Pipe	1
20	PMJ15-05	Cylinder Fixing Plate	2
21	G95-2000-10	Washer Ø10	8
22	G93-1987-10	Lock washer Ø10	8
23	G5781-2000-M10-20	Bolt M10 x 20	4
24	G5780-2000-M8-25	Bolt M8 x 25	2
25	G41-2000-M8	Nut M8	5
26	G93-1987-8	Lock washer Ø8	12
27	G95-2000-8	Washer Ø8	14
28	PMJ7-04	Support Leg	1
29	PMJ7-07	Rubber Damping Pad	1
30	G70.1-2000-M8-25	Bolt M8 x 25	2

#	Part Number	Description	Qty.
31	PMJ7-06	Handle	1
32	G91-2000-2-20	Cotter Pin Ø2 x 20	1
33	PMJ7-20	Handle Sheath	1
34	G70.1-2000-M10-20	Bolt M10 x 20	4
35	PMJ7-03	Engine & Wheel Fixed Mount	1
36	G5783-2000-M8-20	Bolt M8 x 20	4
37	PMJ7-10	10 in. Solid Wheel	2
38	G95-2000-16	Washer Ø16	2
39	G91-2000-2.5-25	Cotter Pin Ø2.5 x 25	2
40	PMJ22Q-21	Hydraulic Hose(Valve-Pump)	1
41	12.103	Engine	1
42	PMJ7-12	Engine Bushing	1
43	PMJ7-13	Flat Key	1
44	PMJ7-30	Engine Connector	1
45	PMJ7-31	Gear Pump Stand	1
46	ASME-B18.2.1-1996-516-24-34	Bolt 5/16 in. - 24 x 3/4 in.	4
47	PMJ7-33	Right Angle Connector	1
48	PMJ7-34	Hitch Adapter	1
49	PMJ7-35	Pin Ø16 x 80	1
50	PMJ7-36	R Pin Ø3.5 x 77	1
51	G5781-2000-M12-30	Bolt M12 x 30	8
52	G95-2000-12	Washer Ø12	8
53	G93-1987-12	Lock Washer Ø12	8
54	G889.1-2000-M12	Lock Nut M12	8
55	PMJ7-37	Safety Chain	2
56	G5782-2000-M10-95	Bolt M10 x 95	1

ENGINE PARTS DIAGRAM



ENGINE PARTS LIST

#	Part Number	Description	Qty.
1	2.06.004	Clamp Ø10.5 × Ø1	3
2	12.061000.04.2.48	Recoil Assembly	1
3	1.16674.0612	Flange Bolt M6 × 12	7
4	1.5789.0608	Flange Bolt M6 × 8	3
5	12.111000.01	Control Assembly	1
6	12.080100.02.48	Fan Cover, Yellow	1
7	1.6177.2.12	Flange Nut M12	1
8	12.060001.02	Pulley Starter	1
9	12.080001.00	Cooling Fan	1
10	1.16674.0620	Flange Bolt M6 × 20	2
11	12.123000.01	Ignition Coil	1
12	15.120100.00	Flywheel	1
13	1.16674.0608	Flange Bolt M6 × 8	3
14	12.080014.00	Air Guide Board, Back	1
15	12.080014.01	Air Guide Board, Front	1
16	2.11.009	Oil Seal Ø17 × Ø30 × 6	2
17	1.276.6203	Bearing 6203	1
18	21.120400.00	Diode Assembly	1
19	1.6177.06	Flange Nut M6	4
20	2.08.037	Drain Bolt M10 × 1.25 × 25	2
21	2.03.016	Washer Ø10 × Ø16 × 1.5, Drain Bolt	2
22	12.030100.01.1	Crankcase	1
23	12.127000.03	Oil Level Sensor	1
24	1.16674.0616	Flange Bolt M6 × 16	2
25	2.03.020.1	Washer Ø6.2 × Ø15 × 0.5, Black	1
26	12.110100.00	Gear, Governor	1
27	12.110013.00	Shaft, Governor Gear	1
28	21.110011.00	Clip, Governor Gear	1
29	12.110012.00	Bushing, Governor Gear	1
30	23.120700.02	Change Wire, Flameout	1

#	Part Number	Description	Qty.
31	12.050100.05	Crankshaft, QA	1
32	1.5789.0615	Flange Bolt M6 × 15	4
33	1.276.6303	Bearing 6303	1
34	12.030008.01	Gasket, Crankcase Cover	1
35	2.04.002	Dowel Pin Ø8 × 14	4
36	12.031000.00.48	Oil Dipstick Assembly, Yellow	2
37	12.030007.00	Cover, Crankcase	1
38	1.5789.0625	Flange Bolt M6 × 25	6
39	12.050200.00	Connecting Rod	1
40	12.050005.02.1	Piston	1
41	2.09.005	Circlip Ø16 × Ø1	2
42	12.050003.01	Pin, Piston	1
43	11.050303.00	Ring, Oil	1
44	11.050302.00	Ring, Second Piston	1
45	11.050301.00	Ring, First Piston	1
46	12.030009.00	Gasket, Cylinder Head	1
47	15.010100.00	Cylinder Head	1
48	2.15.005 (E6RTC)	Spark Plug E6RTC	1
49	1.5789.0860	Flange Bolt M8 × 60	4
50	21.020002.00	Gasket, Cylinder Head Cover	1
51	15.021000.00	Cover, Cylinder Head	1
52	15.020007.00	Baffle, Wire	1
53	21.020001.00	Breather Tube	1
54	2.01.010	Stud Bolt M8 × 35	2
55	12.041000.01	Camshaft	1
56	15.040013.00	Lifter, Valve	2
57	15.040005.00	Push Rod	2
58	23.040017.00	Oil Seal, Valve	1
59	12.040002.80	Valve, Intake	1
60	12.040006.80	Valve, Exhaust	1

#	Part Number	Description	Qty.
61	12.040003.00	Spring, Valve	2
62	12.040014.80	Retainer, Valve Spring	2
63	15.040009.00	Rocker Arm	2
64	21.040020.00	Screw, Valve Adjustment	2
65	2.01.019	Stud Bolt M6 × 89	2
66	12.130002.01	Gasket, Insulator	2
67	12.130001.00	Insulator, Carburetor	1
68	12.131000.01	Carburetor	1
	12.131000.02		
69	12.091100.02	Base, Air Cleaner	1
70	21.040021.00	Nut M6 × 0.5, Lock	2
71	12.091003.02	Element, Air Cleaner	1
72	12.091200.02	Cover, Air Cleaner	1
73	15.040004.00	Guide Plate, Push Rod	1
74	15.080300.00	Air Guide, Upper	1
75	12.110001.80	Shaft, Governor Arm	1
76	1.896.06	Circlip Ø6	1
77	2.03.019	Washer Ø8.2 × Ø17 × 0.8	1
78	12.110008.00	Pin, Shaft	1
79	12.110003.00	Arm, Governor	1
80	12.110007.01	Spring, Governor	1
81	12.110005.00	Spring, Throttle Return	1
82	12.110006.00	Rod, Governor	1
83	5.1010.006.3	Ignition Switch, Red	1
84	1.5789.0612	Flange Bolt M6 × 12	2
85	12.091000.02	Air Cleaner Assembly	1
86	12.100001.02	Gasket, Exhaust Pipe	1
87	12.101000.00.2	Muffler Assembly	1
88	1.848.08	Washer Ø8	2
89	1.93.08	Lock Washer Ø8	2
90	1.6170.08	Nut M8	2
91	12.070100.00	Cap, Fuel Tank, 1.3	1

#	Part Number	Description	Qty.
92	23.070303.00	Support Filter	1
93	23.070301.00	Fuel Filter, Fuel Tank	1
94	12.071000.00.2	Fuel Tank, Black	1
95	111.070300.01	Fuel Filter, Fuel Pipe	1
96	2.06.018	Clamp Ø10.5 × b8	1
97	12.070011.03	Fuel Pipe Ø4.5 × Ø8.5 × 125	1
98	12.070010.00	Veil, Fuel Tank	1
99	1.845.4213	Bolt M4.2 × 13	2
100	12.070011.01	Fuel Pipe Ø4.5 × Ø8.5 × 95	1
101	12.070400.00	Fuel Valve	1
102	15.010000.00	Cylinder Head Assembly	1
103	83.040010.01	Bolt, Rocker Arm	2