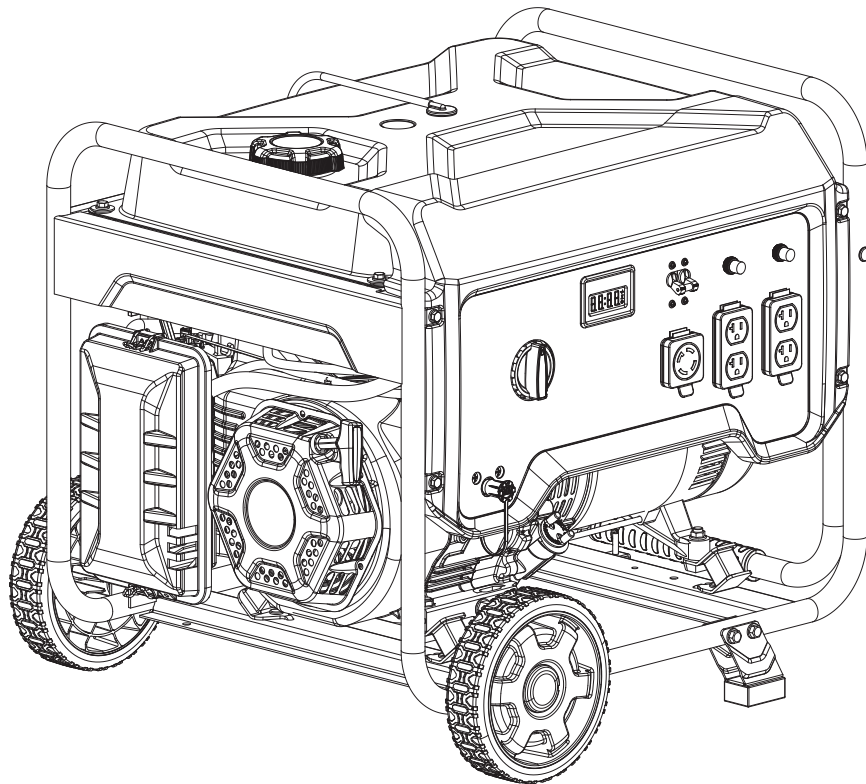




Champion Power Equipment, Inc.

MODEL #201077



PARTS INFORMATION

6500W DUAL FUEL PORTABLE GENERATOR

SERIAL NUMBER RANGE: ALL



To order replacement parts please visit:
shop.championpowerequipment.com
or call **1-877-338-0999**.

TABLE OF CONTENTS

Generator Parts Diagram	3
Generator Parts List	4
Engine Parts Diagram	5
Engine Parts List	6
Cylinder Head Parts Diagram	8
Cylinder Head Parts List	9
Alternator Parts Diagram	10
Alternator Parts List	11
Fuel Tank Parts Diagram	12
Fuel Tank Parts List	13
Control Panel Parts Diagram	14
Control Panel Parts List	15
Frame Assembly Parts Diagram	16
Frame Assembly Parts List	17
Wiring Diagram	18

GENERATOR PARTS DIAGRAM

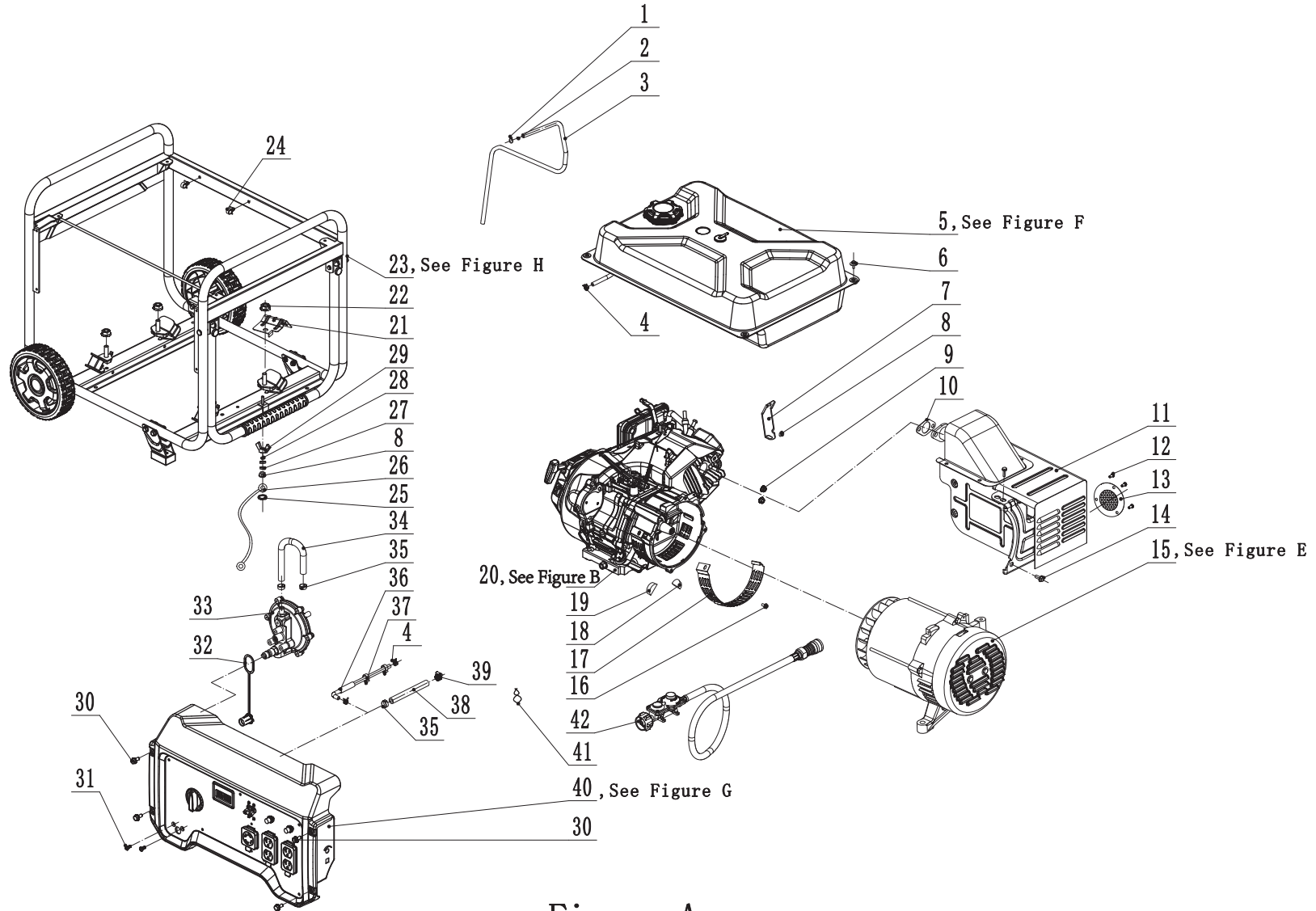


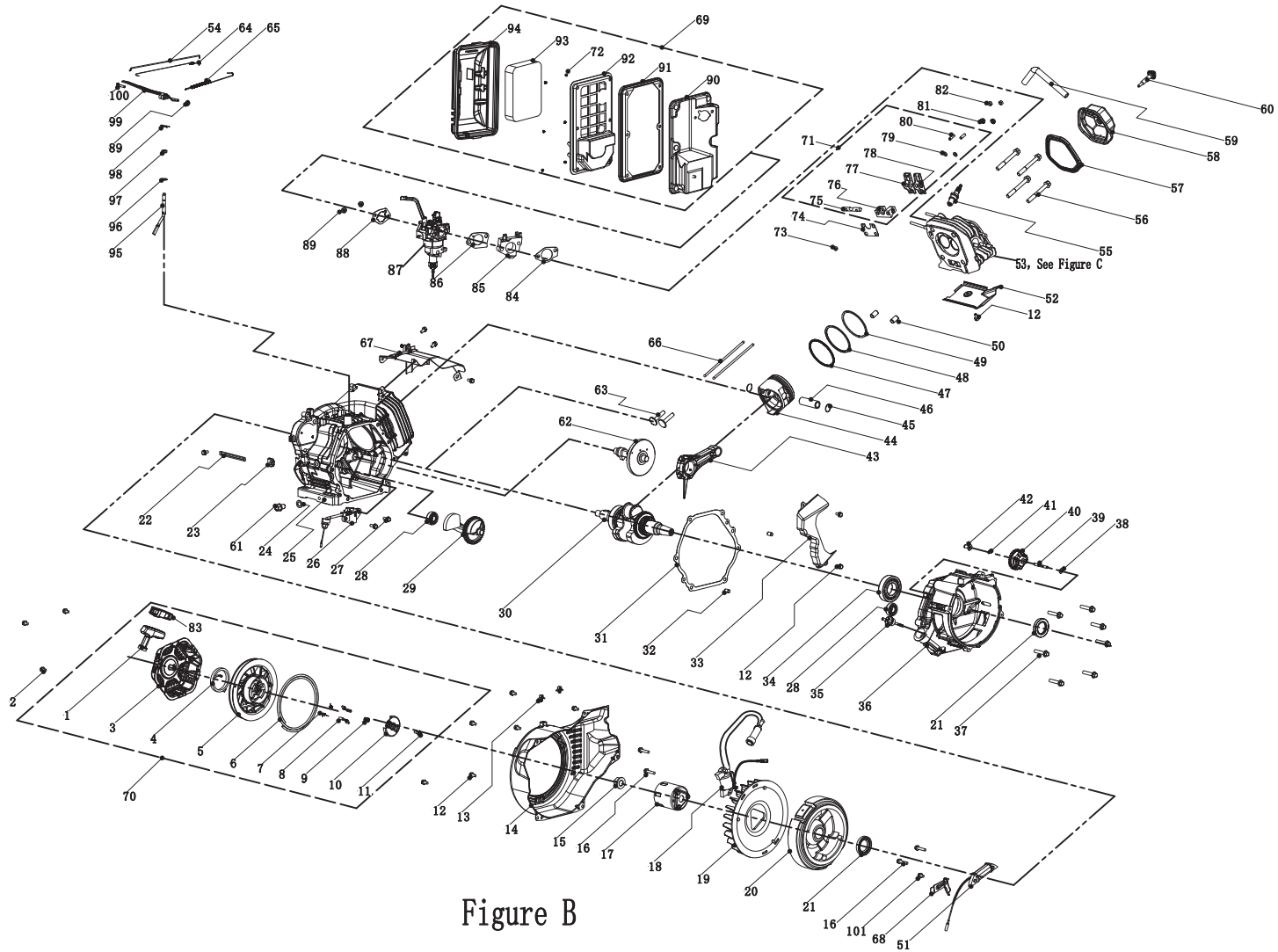
Figure A

GENERATOR PARTS LIST

#	Part Number	Description	Qty.
1	2.06.006	Clamp, Ø7 x Ø1	1
2	24.070030.00	Orifice, Reversal Valve Tube	1
3	152.070014.08	Tube, Reversal Valve	1
4	2.06.016	Clamp Ø8.7 x b8	3
5	152.070000.64.48	Fuel Tank, 29.1L, Yellow, See Figure F	1
6	2.08.143.1	Flange Bolt/Washer Assembly M6 x 20, Black	4
7	45.090006.20	Bracket, Air Cleaner Support	1
8	1.6177.1.06	Lock Nut M6, Flange	2
9	1.6177.1.08	Lock Nut M8, Flange	1
10	46.100001.07	Gasket, Muffler	1
11	46.101000.00.2	Muffler Assembly	1
12	1.9074.4.0510	Screw/Washer Assembly M5 x 10	3
13	46.101300.00	Spark Arrester	1
14	1.16674.0820.1	Flange Bolt M8 x 20, Black	2
15	152.191000.26	Alternator Assembly, See Figure E	1
16	1.5789.0608	Flange Bolt M6 x 8	1
17	152.192300.01	Vent, Alternator Fan	1
18	152.190005.00	Rubber, Fore-Cover, A	1
19	152.190005.01	Rubber, Fore-Cover, B	1
20	46.490	Engine, 389cc, See Figure B	1
21	152.100007.00	Heat Shield, Motor Mount	1
22	1.6177.1.10	Lock Nut M10, Flange	4
23	65311.201077	Frame Assembly, See Figure H	1
24	2.05.001	Clamp, Ø8 x 6.5	2
25	1.862.06	Lock Washer Ø6, Toothed	1
26	5.1900.029	Grounding Line 150 mm	1
27	1.97.1.06.2	Washer Ø6	2
28	1.93.06	Lock Washer Ø6	1
29	1.62.06	Butterfly Type Nut M6	1
30	1.5789.0615.1	Flange Bolt M6 x 15, Black	4

#	Part Number	Description	Qty.
31	9.1500.005	Sleeve, Connector	1
32	1.818.0614.1	Bolt M6 x 14, Black	2
33	47.136000.05	Regulator, LPG	1
34	152.070012.13	Hose, LPG, 200mm	1
35	2.06.032	Clip Ø17	3
36	152.070011.27	Hose, Gasoline, Fuel Valve to Carburator, 430+25mm	1
37	2.05.009	Clamp Ø12.5 x 7	2
38	152.070012.22	Hose, LPG, Fuel Valve to Carburator, 420mm	1
39	2.06.023	Clip Ø20	1
40	201077.21	Control Panel Assembly, See Figure G	1
41	2.06.050	Clamp, Ø8 x Ø18	1
42	152.070012.21	LPG Hose With Regulator 3/8 in x 6.5 ft.	1

ENGINE PARTS DIAGRAM



ENGINE PARTS LIST

#	Part Number	Description	Qty.
1	21.061006.02	Handle, Recoil, Soft	1
2	1.16674.0608	Flange Bolt M6 x 8	3
3	46.061100.03.2	Cover, Recoil Starter, Black	1
4	45.060005.00	Spring, Recoil Starter	1
5	45.061102.00	Reel, Recoil Starter	1
6	2.10.003.1	Rope Ø4 x 1550, Black	1
7	45.060003.00	Spring, Ratchet	2
8	45.060002.00	Starter Ratchet, Steel	2
9	45.060009.00	Spring, Ratchet Guide	1
10	45.060007.00	Ratchet Guide	1
11	45.060008.00	Screw, Ratchet Guide	1
12	1.5789.0612	Flange Bolt M6 x 12	12
13	2.05.005	Clamp Ø6	2
14	47.080100.01.48	Fan Cover, Yellow	1
15	2.02.007	Nut M16 x 1.5	1
16	1.5789.0629	Flange Bolt M6 x 29	4
17	45.060001.00	Pulley, Starter	1
18	46.123000.01	Ignition Coil	1
19	45.080001.00	Cooling Fan	1
20	46.120100.06	Flywheel	1
21	2.11.007	Oil Seal Ø35 x Ø52 x 8	2
22	2.05.050	Wire Clip, 100 mm	1
23	152.070031.01	Sheath, Wire	1
24	2.03.023	Washer Ø12.5 x Ø20 x 2, Drain Bolt	1
25	46.030100.04.1	Crankcase	1
26	45.127000.02	Oil Level Sensor	1
27	1.5789.0615	Flange Bolt M6 x 15	2
28	1.276.6202	Bearing 6202	2
29	47.050006.00	Shaft, Balance	1
30	45.050100.14	Crankshaft	1

#	Part Number	Description	Qty.
31	46.030008.00	Gasket, Crankcase Cover	1
32	2.04.001	Dowel Pin Ø9 x 14	2
33	46.080600.00	Air Guide, Right Side	1
34	1.276.6207	Bearing 6207	1
35	46.031000.01.48	Oil Dipstick Assembly, Yellow	1
36	45.030007.00	Cover, Crankcase	1
37	1.5789.0840	Flange Bolt M8 x 40	7
38	2.03.021.1	Washer Ø6.4 x Ø13 x 1, Black	1
39	45.110013.00	Shaft, Governor Gear	1
40	45.110100.00	Gear, Governor	1
41	21.110011.00	Clip, Governor Gear	1
42	45.110012.00	Bushing, Governor Gear	1
43	47.050200.00	Connecting Rod	1
44	46.050005.00	Piston	1
45	2.09.004	Circlip Ø21 x Ø1	2
46	45.050003.00	Pin, Piston	1
47	46.050303.00	Ring, Oil	1
48	46.050302.00	Ring, Second Piston	1
49	46.050301.00	Ring, First Piston	1
50	2.04.004	Dowel Pin Ø12 x 20	2
51	45.121000.00	Coil, Charging	1
52	46.080400.00	Air Guide, Lower	1
53	46.010000.00	Cylinder Head Assembly, See Figure C	1
54	45.110006.00	Rod, Governor	1
55	2.15.002(F6RTC)	Spark Plug F6RTC	1
56	2.08.014	Flange Bolt M10 x 80	4
57	46.020002.00	Gasket, Cylinder Head Cover	1
58	46.021000.00	Cover, Cylinder Head	1
59	45.020001.02	Breather Tube	1
60	45.020100.00	Bolt, Cylinder Head Cover	1

#	Part Number	Description	Qty.
61	2.08.039	Drain Bolt M12 x 1.5 x 15	1
62	46.041000.00	Camshaft	1
63	45.040013.00	Lifter, Valve	2
64	45.110005.00	Spring, Throttle Return	1
65	45.110007.01	Spring, Governor	1
66	46.040005.00	Push Rod	2
67	46.080300.20	Air Guide, Upper	1
68	45.030006.00	Plate, Coil	1
69	46.091000.11	Air Cleaner Assembly	1
70	46.061000.03.2	Recoil Assembly	1
71	46.040200.00	Rocker Arm Assembly	1
72	1.6177.1.05	Flange Nut M5	6
73	45.040008.00	Rotator, Exhaust Valve	1
74	46.040004.00	Guide Plate, Push Rod	1
75	46.040016.00	Shaft, Rocker Arm	1
76	46.040201.00	Retainer, Rocker Arm	1
77	46.040009.00	Rocker Arm, Intake Valve	1
78	46.040018.00	Rocker Arm, Exhaust Valve	1
79	1.97.1.06	Washer Ø6	2
80	22.040012.00	Screw, Valve Adjustment	2
81	1.6177.1.06	Flange Nut M6	2
82	21.040021.00	Nut M6 x 0.5, Lock	2
83	21.061301.01.48	Support, Handle, Recoil	1
84	46.130002.20	Gasket, Insulator	1
85	45.130001.00	Insulator, Carburetor	1
86	46.130003.20	Gasket, Carburetor	1
87	46.131000.28	Carburetor	1
88	46.130004.20	Gasket, Air Cleaner	1
89	1.6177.06	Flange Nut M6	3
90	46.091100.09	Base, Air Cleaner	1
91	45.091002.20	Seal, Air Cleaner	1
92	45.091001.20	Separator, Air Cleaner	1

#	Part Number	Description	Qty.
93	45.091003.20	Element, Air Cleaner	1
94	46.091200.11	Cover, Air Cleaner	1
95	45.110001.00	Shaft, Governor Arm	1
96	2.03.019	Washer Ø8.2 x Ø17 x 0.8	1
97	2.11.006	Oil Seal Ø7 x Ø14 x 5	1
98	45.110008.00	Pin, Shaft	1
99	45.110003.00	Arm, Governor	1
100	2.08.040	Bolt M6 x 21, Governor Arm	1
101	1.5789.0608	Flange Bolt M6 x 8	1

CYLINDER HEAD PARTS DIAGRAM

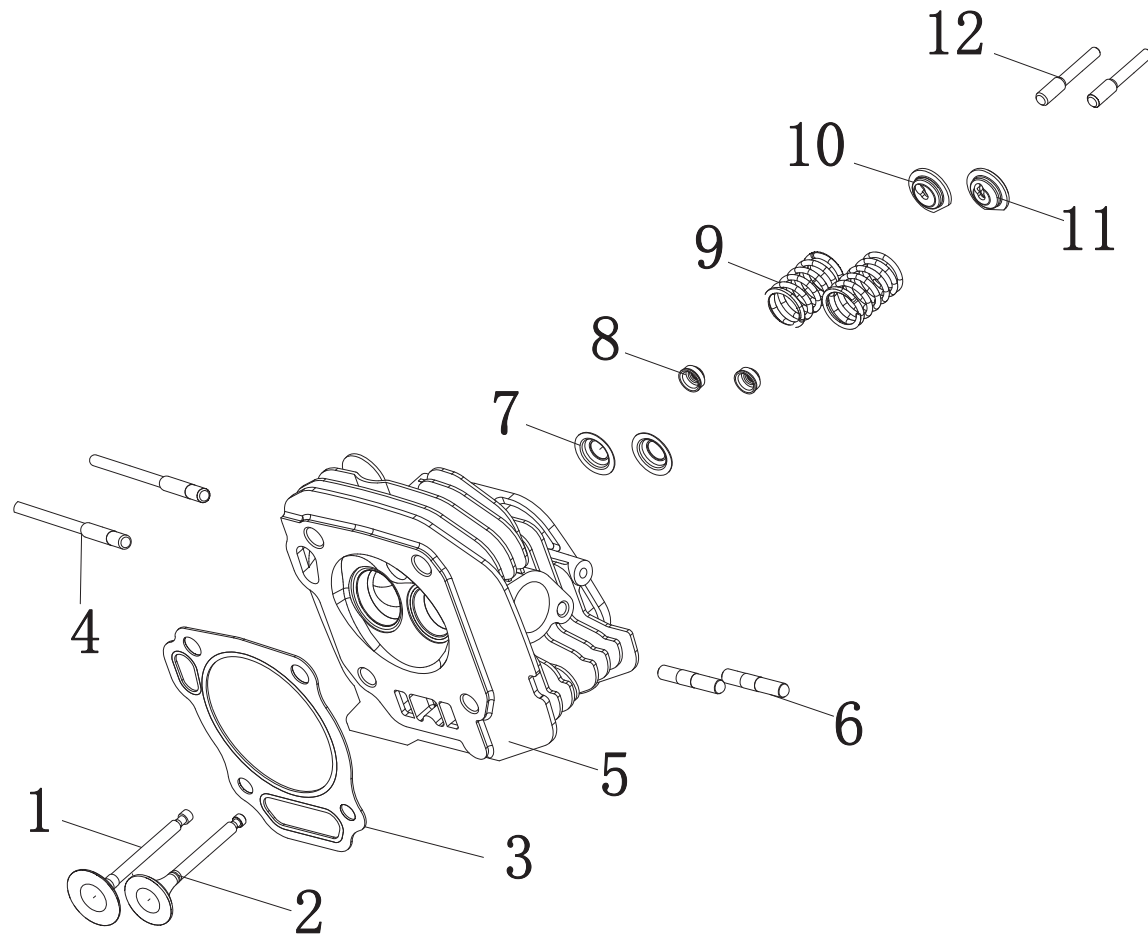


Figure C

CYLINDER HEAD PARTS LIST

#	Part Number	Description	Qty.
1	45.040002.00	Valve, Intake	1
2	45.040006.00	Valve, Exhaust	1
3	46.030009.01	Gasket, Cylinder Head	1
4	2.01.008	Stud Bolt M6 x M8 x 105	2
5	46.010100.00	Cylinder Head	1
6	2.01.010	Stud Bolt M8 x 35	2
7	45.040015.00	Retainer, Valve Spring	2
8	45.040017.00	Oil Seal, Valve	2
9	45.040003.00	Spring, Valve	2
10	45.040001.00	Retainer, Intake Valve Spring	1
11	45.040007.00	Retainer, Exhaust Valve Spring	1
12	23.040010.00	Bolt, Rocker Arm	2

ALTERNATOR PARTS DIAGRAM

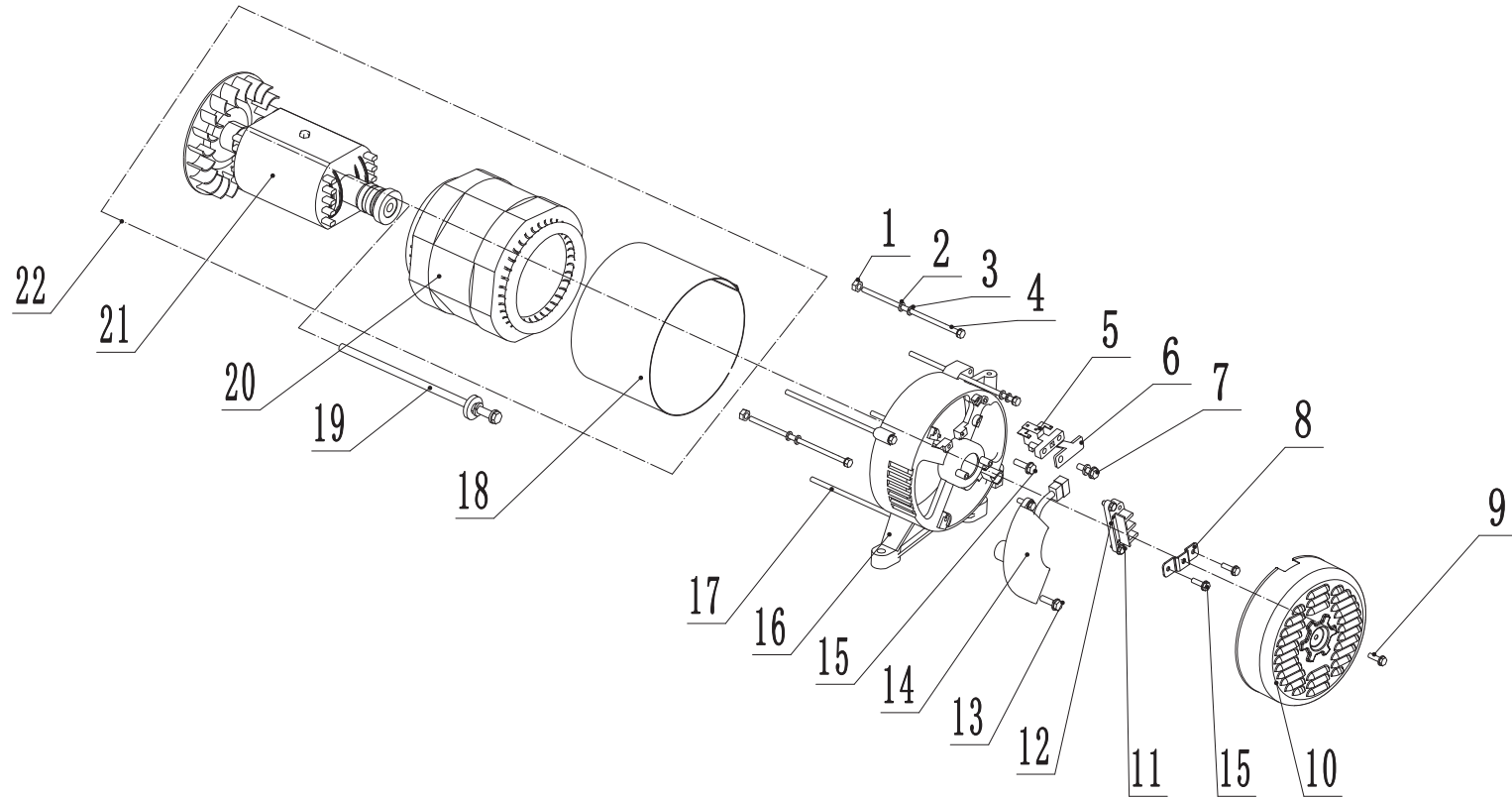


Figure E

ALTERNATOR PARTS LIST

#	Part Number	Description	Qty.
1	1.6175.05	Nut M5	2
2	1.97.1.05	Washer Ø5	2
3	1.93.05	Lock Washer Ø5	2
4	2.08.035	Bolt M5 x 214	2
5	152.190300.00	Carbon Brush Assembly	1
6	122.190004.01	Bracket, Carbon Brush Mounting	1
7	1.9074.15.0520	Bolt/Washer Assembly M5 x 20	1
8	122.190018.03	Bracket, End Housing Cover Mounting	1
9	2.08.068.1	Flange Bolt M5 x 13, Black	1
10	152.190003.02.48	Cover, End Housing, Yellow	1
11	1.9074.17.0516	Screw/Washer Assembly M5 x 16	2
12	122.190400.02	Terminal Block	1
13	1.16674.0516	Flange Bolt M5 x 16	2
14	153.190200.03	AVR	1
15	1.16674.0512	Flange Bolt M5 x 12	3
16	152.190002.00	End Housing	1
17	2.08.032	Flange Bolt/Washer Assembly M6 x 179	4
18	152.191002.00	Stator Cover	1
19	2.08.034	Flange Bolt/Washer Assembly M10 x 265	1
20	152.191200.26	Stator Assembly, Al, Ø190 x 140 mm	1
21	152.191100.26	Rotor Assembly, Al, Ø190 x 140 mm	1
22	152.191000.26	Alternator Assembly, Al, Ø190 x 140 mm	1

FUEL TANK PARTS DIAGRAM

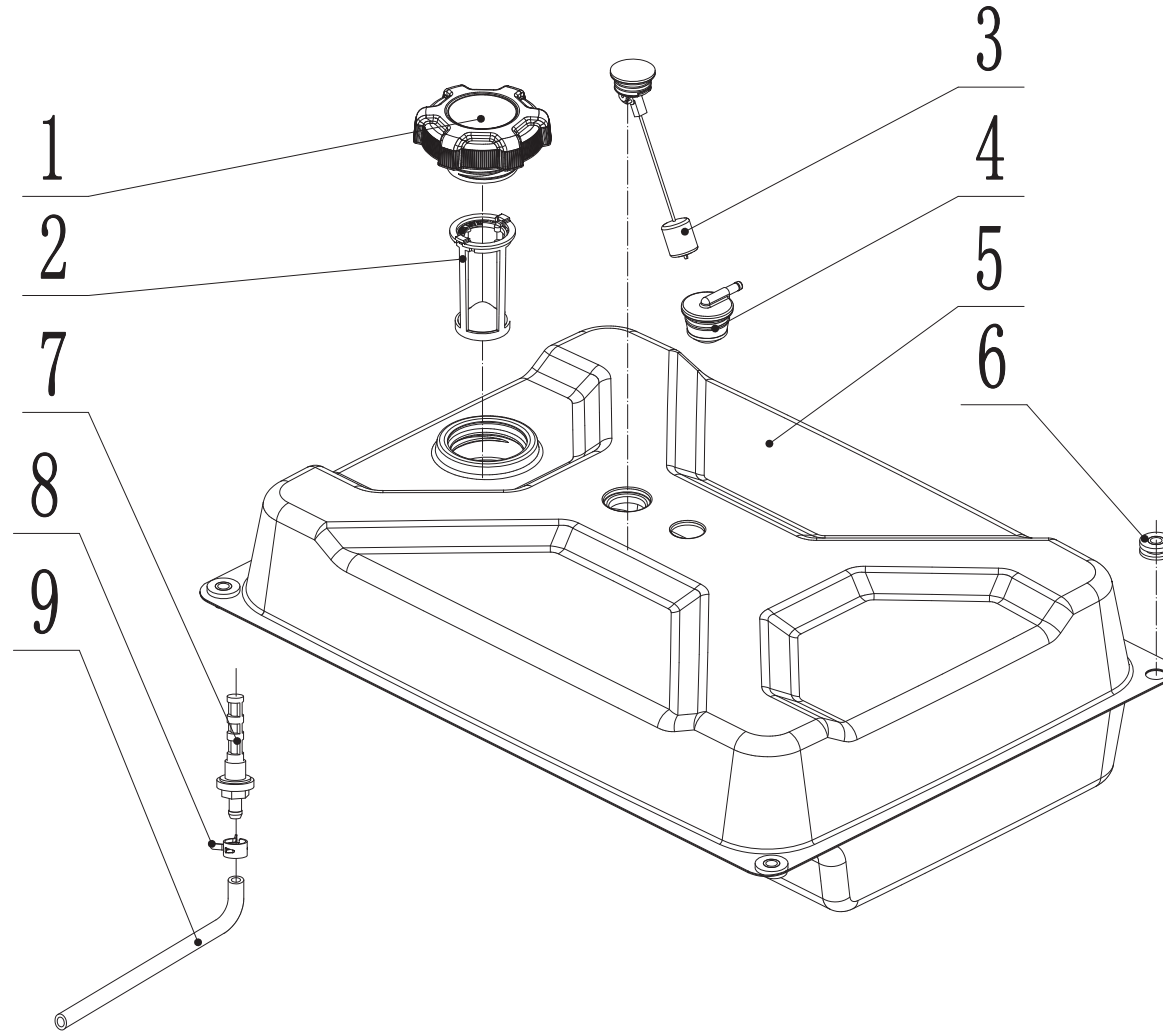


Figure F

FUEL TANK PARTS LIST

#	Part Number	Description	Qty.
1	122.070100.09	Fuel Tank Cap	1
2	122.070300.03	Fuel Filter	1
3	152.072000.06	Fuel Gauge	1
4	24.070800.00	Reversal Valve	1
5	152.071000.64.48	Fuel Tank, 29.1L, Yellow	1
6	122.070015.01	Mount Vibration, Fuel Tank	4
7	21.070600.03	Fitting, Fuel Tank with Filter	1
8	2.06.016	Clamp Ø8.7 x b8	1
9	152.070011.28	Tube, Gasoline, Fuel Tank to Fuel Valve, 270+25 mm	1

CONTROL PANEL PARTS DIAGRAM

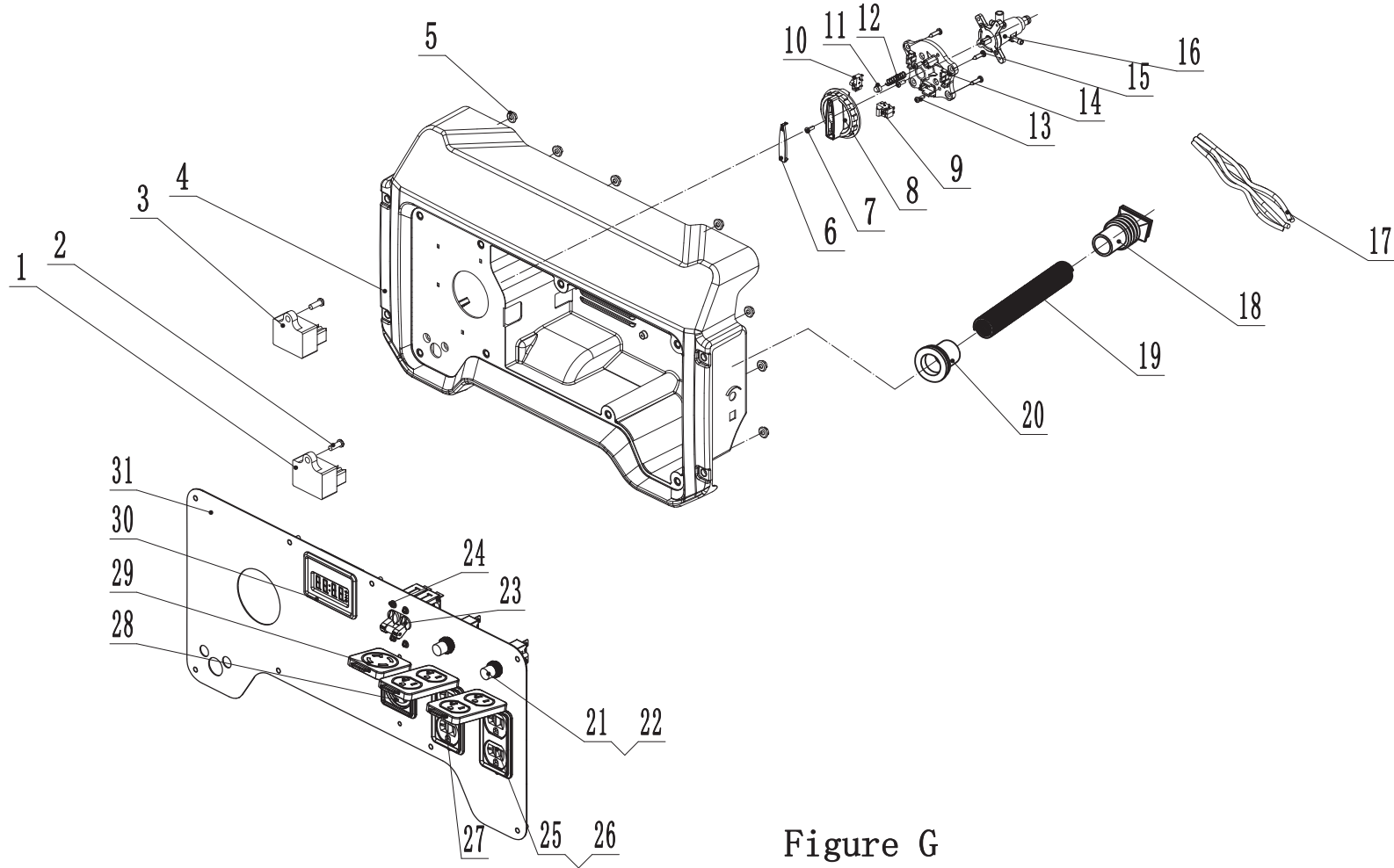


Figure G

CONTROL PANEL PARTS LIST

#	Part Number	Description	Qty.
1	5.1810.004	OVF Diode, CSA	1
2	1.818.0514.2	Screw M5 x 14	2
3	5.1820.004	Charger Module	1
4	152.210002.63	Control Panel Housing	1
5	1.6177.1.05	Lock Nut M5, Flange	8
6	62.139002.00.48	Insert, Fuel Select Dial, Yellow	1
7	1.9074.4.0414.1	Screw/Washer Assembly M4 x 14, Black	1
8	122.139001.02.99	Fuel Select Dial	1
9	5.1050.006	Microswitch, Double Pole	1
10	5.1050.005	Microswitch	1
11	1.308.7	Ball Bearing, Ø7	1
12	62.139007.00	Spring, Ball Bearing	1
13	1.818.0414	Screw M4 x 14	3
14	122.139004.02	Plate, Fuel Valve Mounting	1
15	1.845.4216	Screw, ST4.2 x 16	4
16	122.070400.09	Fuel Valve Assembly	1
17	201078.21.10	Wire Harness	1
18	152.210003.03	Plug, Control Box	1
19	5.1320.024	Sheath, Wire	1
20	152.210003.01	Wire Jacket, Control Box	1
21	5.1210.920	20Amp Circuit Breaker, Push Button, CSA	2
22	5.1870.014	Circuit Breaker Cover, Push Button	2
23	5.1240.927	27Amp Circuit Breaker, Double Pole	1
24	1.9074.4.0306.1	Screw/Washer Assembly M3 x 6, Black	4
25	5.1120.027	Receptacle 5-20R, CSA	2
26	1.6177.1.04.1	Lock Nut M4, Flange, Black	6
27	5.1870.025	Cover, Receptacle 5-20R	2
28	5.1120.026	Receptacle L14-30R, CSA	1
29	5.1870.020	Cover, Receptacle L14-30R	1
30	5.1470.005	Intelligauge, INT1BOF	1

#	Part Number	Description	Qty.
31	152.25.7.2	Control Panel	1

FRAME ASSEMBLY PARTS DIAGRAM

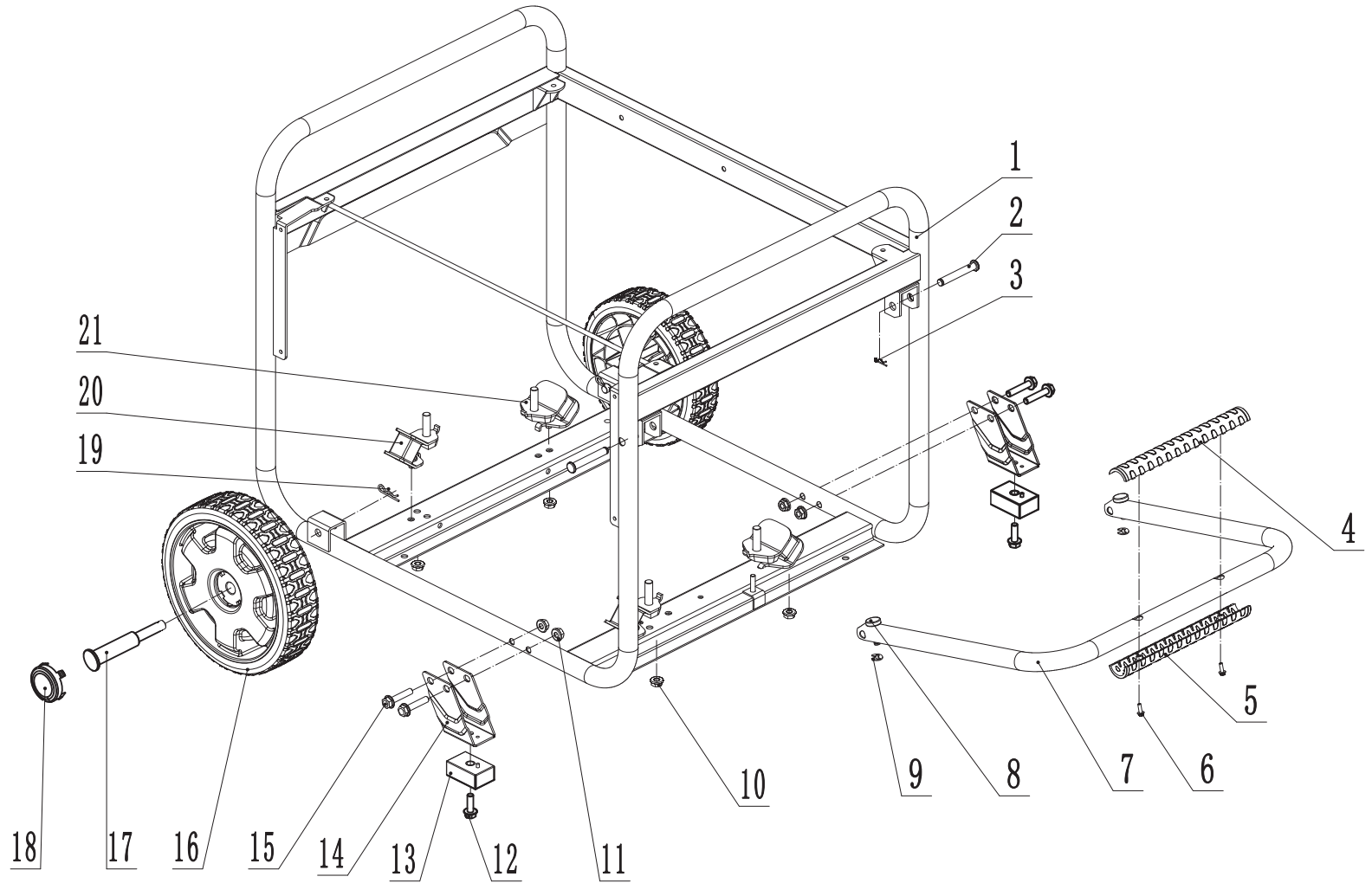


Figure H

FRAME ASSEMBLY PARTS LIST

#	Part Number	Description	Qty.
1	65311.0.5.2	Frame, 680 x 556 x 567	1
2	152.200703.05	Long Pin, Handle	2
3	11.110008.00	Pin Ø1.6 x 24, "R" Shape , Black	2
4	122.200702.14.48	Cover, Handle, Lower, Yellow	1
5	122.200702.13.48	Cover, Handle, Upper, Yellow	1
6	1.9074.4.0414.1	Screw/Washer Assembly M4 x 14, Black	2
7	152.200701.22.2	Handle, U-Shape, Black	1
8	152.200703.02	Short Pin, Handle	2
9	1.894.1.08	Circlip Ø8	2
10	1.6177.1.08	Lock Nut M8, Flange	4
11	1.6177.1.08.1	Lock Nut M8, Flange , Black	6
12	1.5789.0825	Flange Bolt M8 x 25	2
13	122.201400.04	Rubber, Foot, 55 x 36 x 22	2
14	152.200002.16.2	Support Leg, 68 mm, Black	2
15	1.5789.0840.1	Flange Bolt M8 x 40, Black	4
16	122.201701.11.48	8 in. Wheel, PU, Yellow	2
17	122.201501.23.1	Pin Roll, Wheel, Ø16 x Ø10 x 97, Black	2
18	122.201702.11.48	Wheel Cover, Tooth Profile 8-10 in, Yellow	2
19	2.16.001.1	Pin Ø2 x 33, "R" Shape , Black	2
20	152.201200.03	Motor Mount 1	2
21	152.201200.04	Motor Mount 2	2

WIRING DIAGRAM

