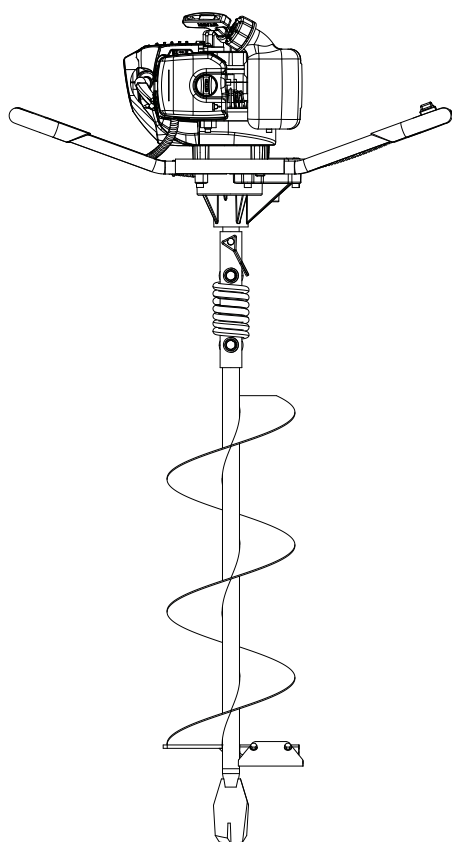


LEGEND FORCE™

Item #1005-605-075
Model #201125



PARTS INFORMATION

GASOLINE POWERED EARTH AUGER 52CC, 2-CYCLE

SERIAL NUMBER RANGE: ALL



Questions, problems, missing parts?
Customer Service
1-877-527-0313

TABLE OF CONTENTS

Auger Parts Diagram.....	3
Auger Parts List.....	4
Engine Parts Diagram	5
Engine Parts List.....	6

AUGER PARTS DIAGRAM

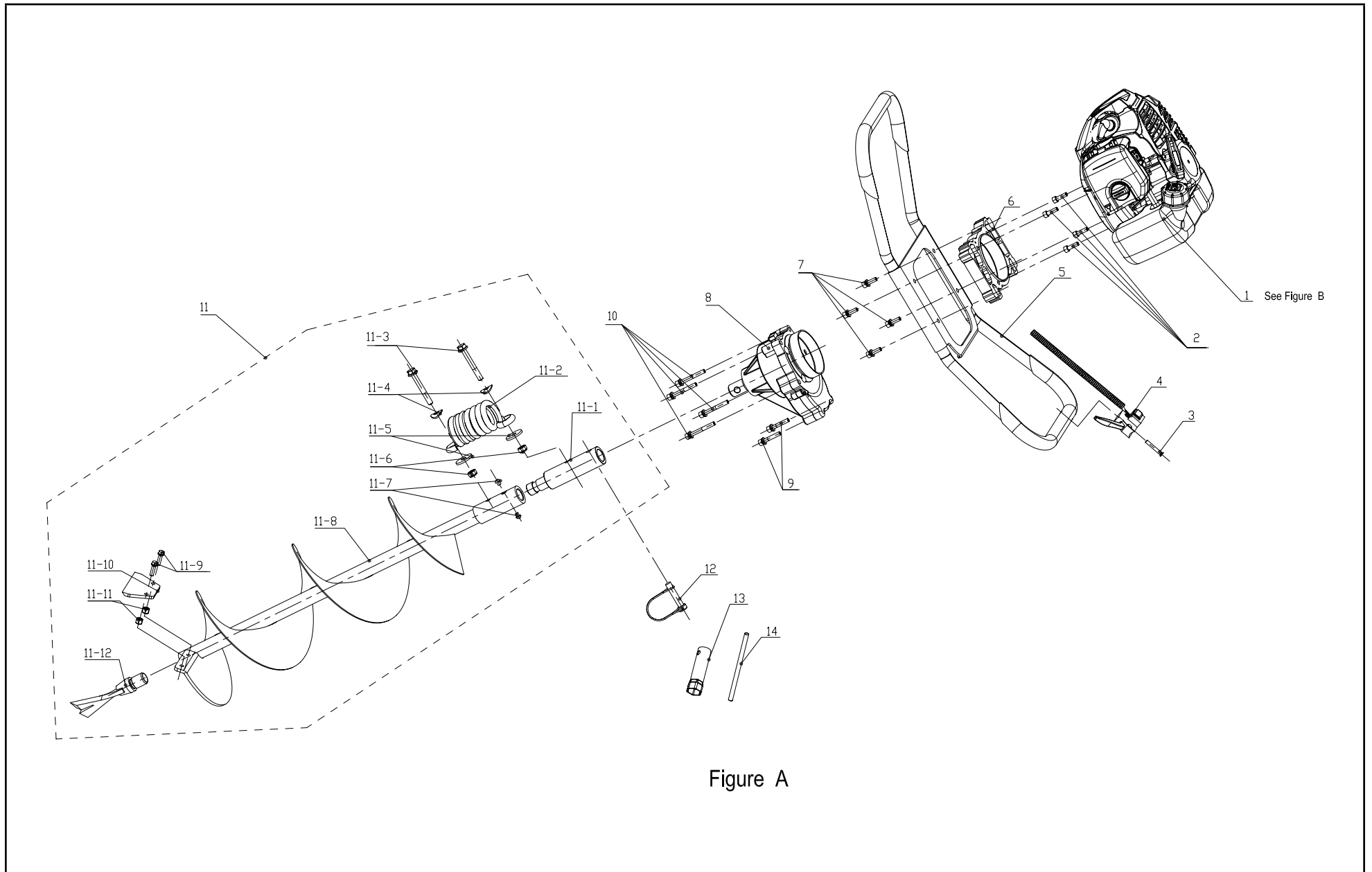


Figure A

AUGER PARTS LIST

#	Part Number	Description	Qty.
1	101071100001000	Two-Cycle Engine, 52 cc	1
2	B02040602067	Bolt, M6 × 20	4
3	30010860107000	Bolt, M5 × 35	1
4	20030860107000	Throttle Cable And Trigger Assembly	1
5	20020860107000	Handle Bar Assembly	1
6	30010860102000	Gear Box Seat	1
7	B13360602067	Bolt Assembly, M6 × 20	4
8	20060860103000	Gear Case Assembly	1
9	B13360603567	Bolt Assembly, M6 × 35	2
10	B13360605567	Bolt Assembly, M6 × 55	4
11	20040860107000	Auger Bit Assembly	1
11-1	30020860107000	Adapter, Auger Bit	1
11-2	30030860107000	Cushion Spring	1
11-3	B0131080606B	Bolt, M8 × 60	2
11-4	30040860107000	Boat Washer, Ø8.5 × Ø22 × 2	2
11-5	30050860107000	Washer, Ø8.5 × Ø22 × 2.2	2
11-6	B0441080004B	Nut, M8	2
11-7	B02270500626	Bolt, M5 × 6	2
11-8	20060860107000	Auger Bit	1
11-9	B0131060186B	Bolt, M6 × 18	2
11-10	DZ200.03.01-04	Earth Blade	1
11-11	B0441060004B	Nut, M6	2
11-12	39340860103000	Fishtail Bit Point	1
12	39350860103000	Clevis Pin With Double Wire	1
13	30670710101002	Spark Plug Socket	1
14	30690223331021	Pole, Spark Plug Socket	1

ENGINE PARTS DIAGRAM

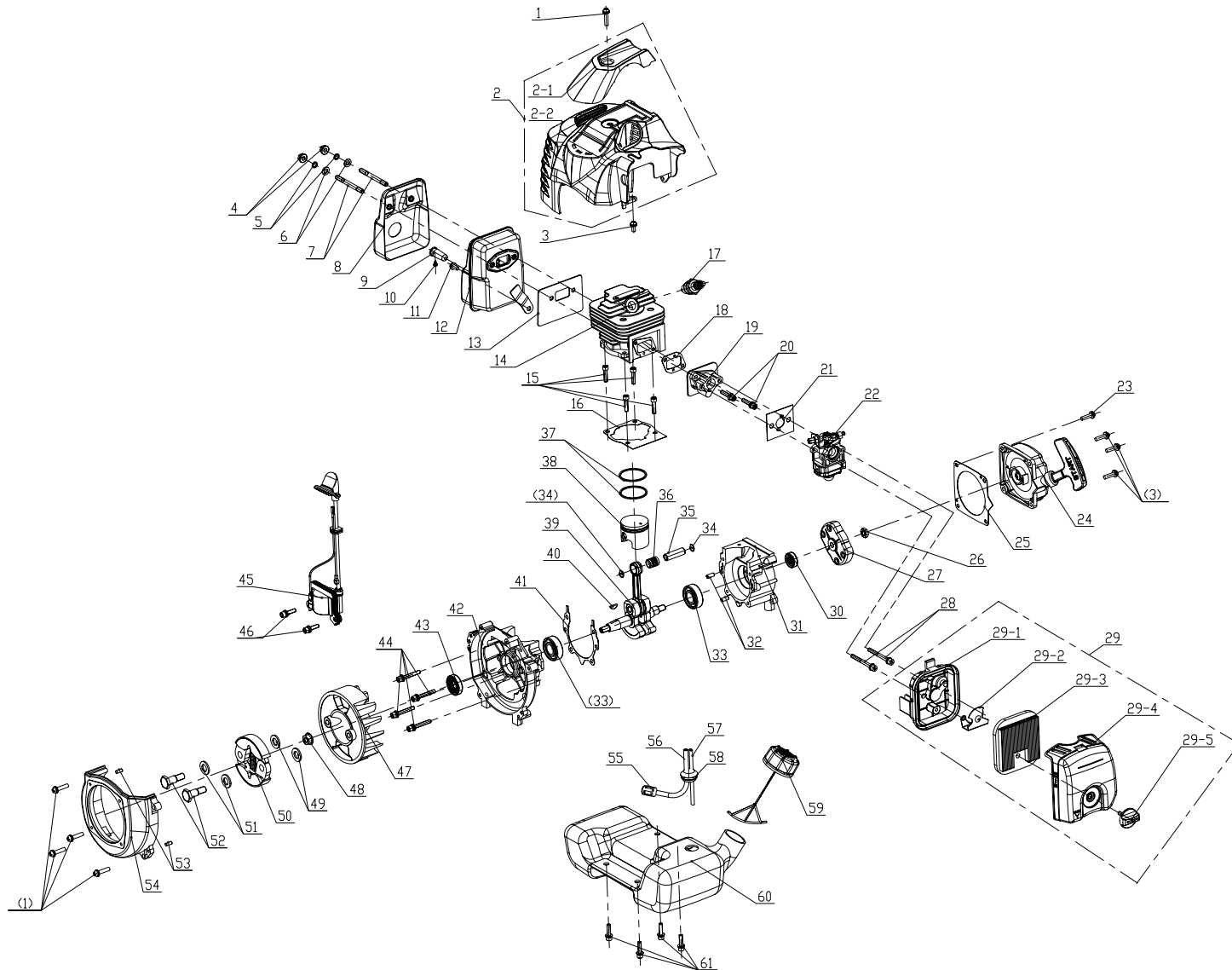


Figure B

ENGINE PARTS LIST

#	Part Number	Description	Qty.
1	B13080502321	Bolt Assembly, M5 × 23	5
2	27060104039001	Cylinder Shield Assembly	1
2-1	37160104011000	Cylinder Shield, Cover	1
2-2	37150104011001	Cylinder Shield	1
3	B13080501627	Bolt Assembly, M5 × 16	4
4	B04280600026	Nut, M6	2
5	B07000006041	Spring Washer, Ø6	2
6	B07010006041	Washer, Ø6	2
7	B03070606381	Stud Bolt, AM6 × 63	2
8	36020104010000	Muffler Cover	1
9	37180104011000	Spark Arrestor	1
10	B050035008C6	Screw, ST3.5 × 8	1
11	B13080501221	Bolt Assembly, M5 × 12	1
12	27090104011000	Muffler Assembly	1
13	32050104001000	Gasket, Muffler	1
14	32010107001000	Cylinder	1
15	B02040502061	Bolt, M5 × 20	4
16	32020107001000	Gasket, Cylinder	1
17	22030404001000	Spark Plug, L6	1
18	32020104001001	Gasket, Cylinder Intake	1
19	22020104001000	Cylinder Intake	1
20	B13360502561	Bolt Assembly, M5 × 20	2
21	32010104001001	Gasket, Carburetor	1
22	27030107001000	Carburetor Assembly	1
23	B13080502027	Bolt Assembly, M5 × 20	1
24	26050104011000	Starter Assembly	1
25	36090104001000	Gasket, Recoil Starter	1
26	36030104001000	Nut, M8	1
27	26060104011000	Starting Jaw Assembly	1
28	B13360505061	Bolt Assembly, M5 × 50	2

#	Part Number	Description	Qty.
29	27050104039001	Air Filter Assembly	1
29-1	37100104011001	Housing, Air Filter	1
29-2	37110104011000	Bracket, Air Filter	1
29-3	37120104011000	Element, Air Filter	1
29-4	37130104011000	Cover, Air Filter	1
29-5	37140104011000	Knob, Screw	1
30	31050101001000	Oil Seal, Ø12 × Ø22 × 7	1
31	31100104001000	Right Crankcase	1
32	B09030501200	Pin, B5 × 12	2
33	B12016020200	Bearing, 6202	2
34	34040104001000	Circlip, Piston Pin	2
35	34020107001000	Piston Pin	1
36	34010107001000	Needle Bearing, K10 × 14 × 15	1
37	34030107001000	Piston Ring	2
38	34040107001000	Piston	1
39	24020107001000	Crankshaft / Connecting Rod Assembly	1
40	B11210305013	Key, 3 × 5 × 13	1
41	31030104001000	Gasket, Crankcase	1
42	31090104001000	Left Crankcase	1
43	31010104001000	Oil Seal, Ø15 × Ø30 × 7	1
44	B13360503561	Bolt Assembly, M5 × 35	4
45	28080104001004	Ignition Coil	1
46	B13360502061	Bolt Assembly, M5 × 20	2
47	28050104001000	Rotor Assembly	1
48	B04280800025	Nut, M8	1
49	35030104001000	Washer	2
50	25010104001002	Clutch Assembly	1
51	33150132001000	Washer, Spring	2
52	35010104001000	Bolt, Clutch Assembly	2
53	B09030401000	Pin, B4 × 10	2

#	Part Number	Description	Qty.
54	31070104001000	Magneto Cover	1
55	27100104001000	Fuel Filter	1
56	37100104001001	Fuel Tube	1
57	37110104001001	Fuel Tube, Short	1
58	37120104001000	Seal, Fuel Tube	1
59	27090104001001	Fuel Tank Cap	1
60	27080104012001	Fuel Tank	1
61	B13360501867	Bolt Assembly, M5 × 18	4