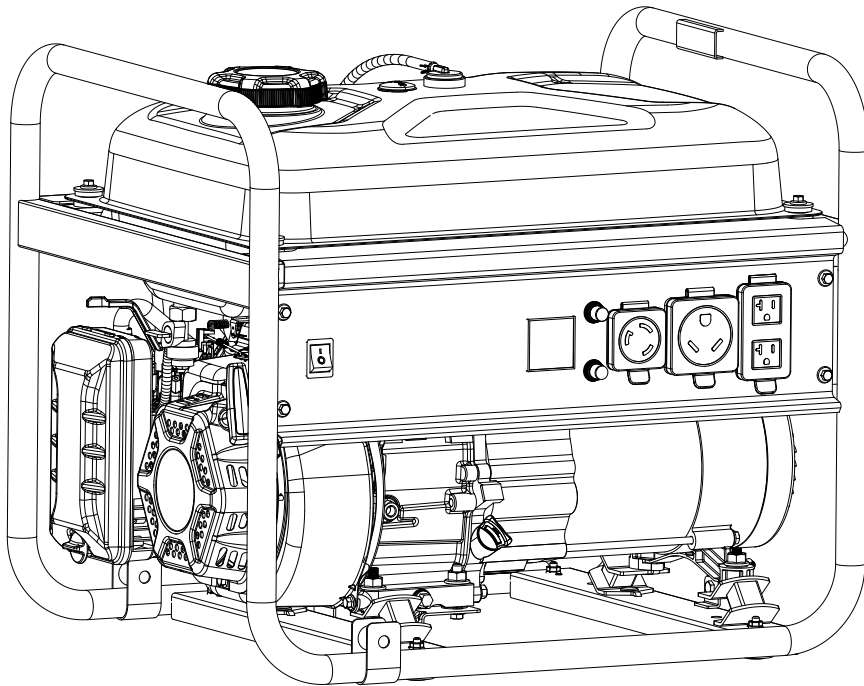




Champion Power Equipment, Inc., Santa Fe Springs, CA USA

**MODEL #201104**



## **PARTS INFORMATION**

**3500W PORTABLE GENERATOR**

**SERIAL NUMBER RANGE: ALL**



To order replacement parts please visit:  
**[shop.championpowerequipment.com](http://shop.championpowerequipment.com)**  
or call **1-877-338-0999**.

## **TABLE OF CONTENTS**

<b>Generator Parts Diagram</b> .....	<b>3</b>
<b>Generator Parts List</b> .....	<b>4</b>
<b>Engine Parts Diagram</b> .....	<b>5</b>
<b>Engine Parts Part List</b> .....	<b>6</b>
<b>Cylinder Head Part Diagram</b> .....	<b>7</b>
<b>Cylinder Head Part List</b> .....	<b>8</b>
<b>Carburetor Part Diagram</b> .....	<b>9</b>
<b>Carburetor Part List</b> .....	<b>10</b>
<b>Alternator Part Diagram</b> .....	<b>11</b>
<b>Alternator Part List</b> .....	<b>12</b>
<b>Fuel Tank Part Diagram</b> .....	<b>13</b>
<b>Fuel Tank Part List</b> .....	<b>14</b>
<b>Outlet Panel Part Diagram</b> .....	<b>15</b>
<b>Outlet Panel Part List</b> .....	<b>16</b>
<b>Frame Assembly Diagram</b> .....	<b>17</b>
<b>Frame Assembly Part List</b> .....	<b>18</b>
<b>Wiring Diagram</b> .....	<b>19</b>

# GENERATOR PARTS DIAGRAM

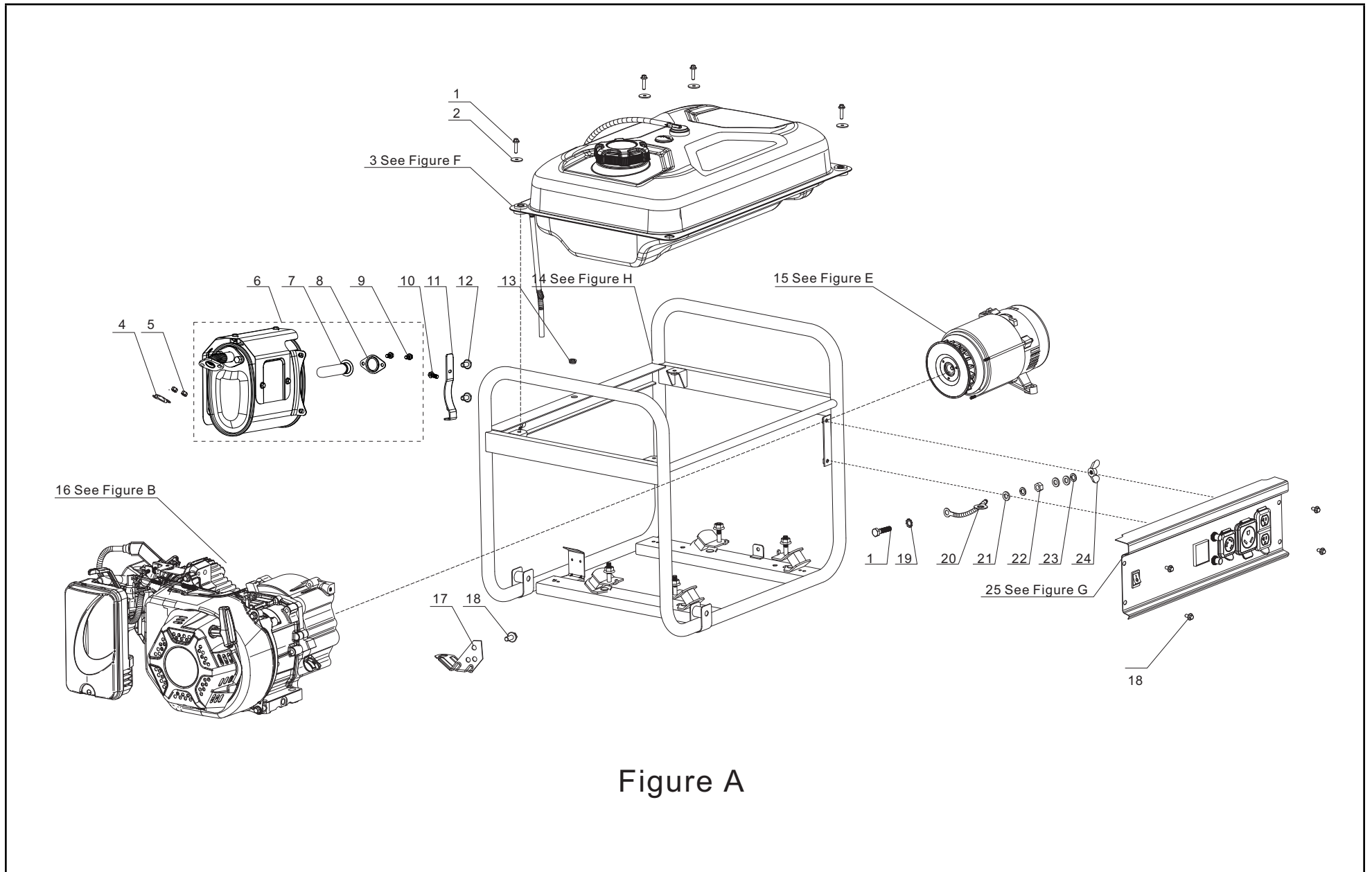


Figure A

**GENERATOR PARTS LIST**

#	Part Number	Description	Qty.
1	90001-0625-0305	Hexagon Flange Bolt, M6 x 25, Black Zinc	5
2	90408-Y020110-0005	Flat Washer, Ø6, Black Zinc	4
3	ELYYS-YXZJ-F000	Fuel Tank Assembly - See Figure F	1
4	18001-Z950110-00A0	Muffler Gasket	1
5	90303-0800-3305	Flange Nut, M8, Black Zinc	2
6	18100-YH90110-00A0	Muffler Assembly	1
7	18250-YGK0210-0000	Spark Arrestor	1
8	18255-YGK0110-0000	Plate, Spark Arrestor	1
9	90001-0510-03	Hexagon Flange Bolt, M5 x 10, Black Zinc	2
10	90001-0612-0305	Hexagon Flange Bolt, M6 x 12, Black Zinc	1
11	18030-Y020110-H3A1	Bracket, Muffler Support	1
12	90001-0816-0305	Hexagon Flange Bolt, M8 x 16, Black Zinc	2
13	90698-Y1Z0110-0001	Protective Rubber Sleeve	1
14	ELYYS-JJZJ-H000	Frame Assembly - See Figure H	1
15	ELYYS-DJZJ-E000	Alternator Assembly - See Figure E	1
16	R210MV000FB-CMP303	Engine, 212cc - See Figure B	1
17	17003-Y110130-0001	Bracket, Air Cleaner Support	1
18	90001-0612-0305	Hexagon Flange Bolt, M6 x 12, Black Zinc	5
19	90415-0600-Z301	Lock Washer, Toothed, Black Zinc	1
20	30009-Y910110-0001	Grounding Wire	1
21	90408-0600-E305	Flat Washer, Black Zinc	3
22	90303-0600-3305	Flange Nut, M6, Black Zinc	1
23	90403-0600-0305	Spring Washer, Black Zinc	2
24	90312-0600-0301	Wing Nut, M6, Black Zinc	1
25	35610-YGK0111-H200	Control Panel Assembly - See Figure G	1

# ENGINE PARTS DIAGRAM

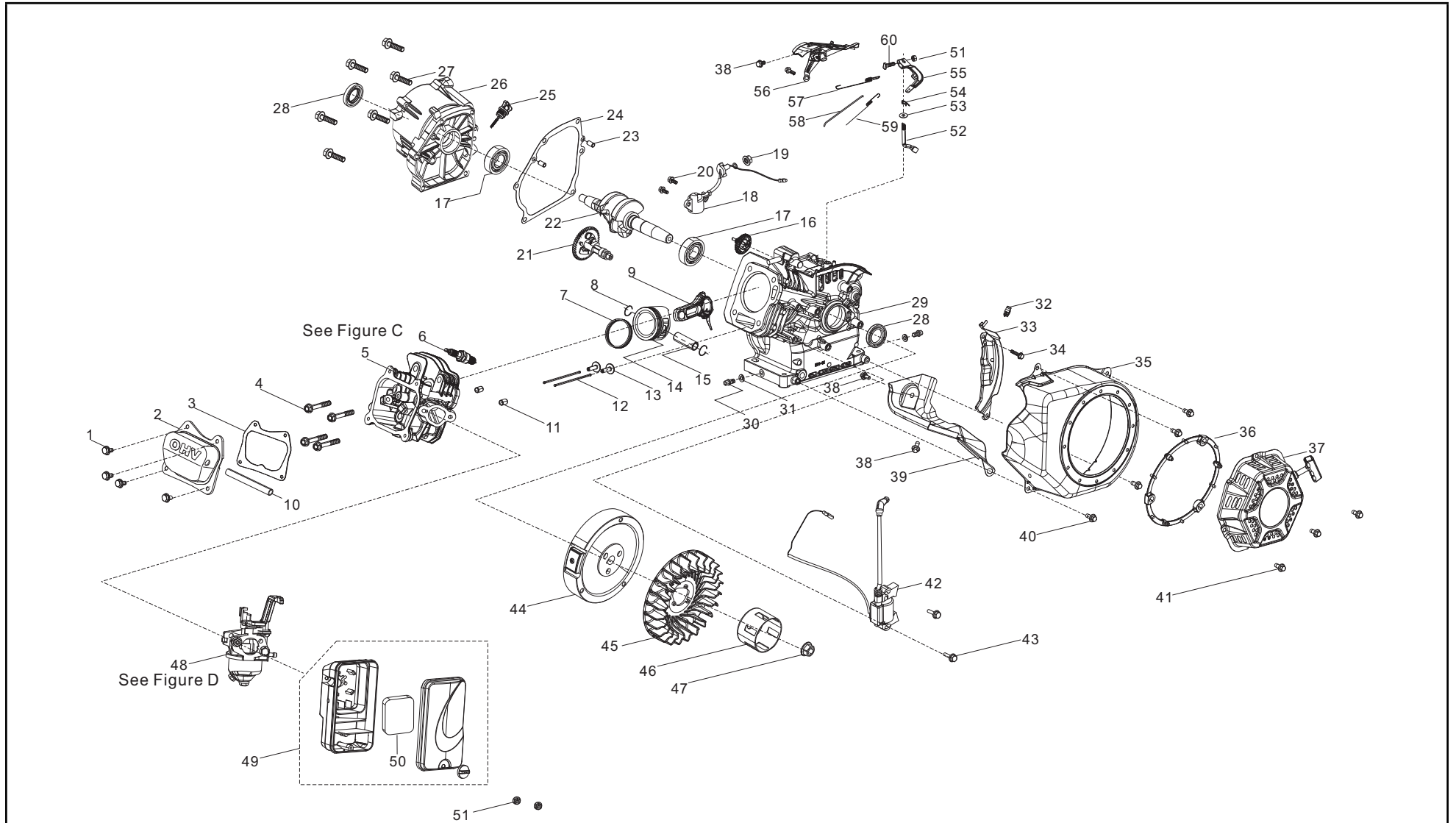


Figure B

**ENGINE PARTS PART LIST**

#	Part Number	Description	Qty.
1	90001-0612-0101	Hexagon Flange Bolt, M6 x 12, White Zinc	4
2	12410-Z950210-01A0	Cylinder Head Cover Assembly, White Zinc	1
3	12004-Z950410-00A0	Cylinder Head Cover Gasket	1
4	12003-Z010310-0000	Cylinder Head Bolt, M8 x 60, Black Zinc	4
5	R210V-QGT-C000	Cylinder Head Assembly - See Figure C	1
6	30010-Z010110-0000	Spark Plug, F6RTC	1
7	13200-Z140210-00A9	Piston Ring Assembly	1
8	13122-Z010110-0000	Circlip, Piston Pin	2
9	13010-Z950110-00A0	Connecting Rod	1
10	17004-Z010310-0001	Tube, Breather, Ø8 x Ø12 x 95	1
11	90502-1114-00A0	Pin, Ø11 x 14	2
12	14071-Z950110-0000	Valve Lifter	2
13	14081-Z040110-0000	Valve Tappet	2
14	13111-Z950120-00A0	Piston	1
15	13121-Z010110-0000	Piston Pin, Ø18 x Ø54	1
16	16400-Z0X0110-00A0	Governor Gear Assembly	1
17	90547-0205-00A0	Bearing, 6205	2
18	37060-Z010120-0001	Engine oil Sensor, W/O Nut	1
19	90305-Z010210-0300	Hexagon Flange Nut, M10, Black Zinc	1
20	90001-0614-01A0	Hexagon Flange Bolt, M6 x 14, White Zinc	2
21	14200-Z950210-0000	Camshaft Assembly	1
22	13300-Z950111-00A0	Crankshaft Assembly	1
23	90502-0912-00A0	Pin, Ø9 x 12	2
24	11001-Z440110-00A0	Crankcase Gasket	1
25	15010-Z2M0110-L400	Oil Dipstick	1
26	11411-Z530111-0BA0	Crankcase Cover	1
27	90001-0832-03	Hexagon Flange Bolt, M8 x 32, Black Zinc	6
28	90682-Z300110-0001	Oil Seal, Ø25 x Ø41.25 x 6	2
29	11310-Z531010-0BA0	Crankcase Assembly	1
30	11007-Z010310-0000	Drain Plug Bolt, M10 x1.25 x15, Black Zinc	2

#	Part Number	Description	Qty.
31	90408-Z010510-00A0	Washer, Ø10 x Ø15.8 x 1.5	2
32	90740-Z010110-0001	Clamp	1
33	19340-Z010810-0100	Lower Shield, White Zinc	1
34	90001-0616-01A0	Hexagon Flange Bolt, M6 x 16, White Zinc	1
35	28110-Z010610-L400	Cover, Engine Fan	1
36	28261-Z2M0110-0000	Retainer Ring, Recoil Starter	1
37	28200-Z141010-H200	Recoil Starter Assembly	1
38	90001-0610-03	Hexagon Flange Bolt, M6 x 10, Black Zinc	4
39	19304-Z950120-0001	Air Guide, Crankcase	1
40	90001-0612-03	Hexagon Flange Bolt, M6 x 12, Black Zinc	4
41	90251-0618-03	Bolts & Washer Assembly, Black Zinc	3
42	30400-Z440410-0001	Ignition Coil	1
43	90001-0625-01A0	Hexagon Flange Bolt, M6 x 25, White Zinc	2
44	13510-Z440410-0000	Flywheel	1
45	19352-Z440110-0001	Fan, Engine Cooling	1
46	28002-Z1E0110-0000	Starter Pulley, White Zinc	1
47	13501-Z010110-00A0	Flywheel Nut, M14 x 1.5, White Zinc	1
48	R210V-HYQ-D000	Carburetor Assembly - See Figure D	1
49	17100-Z0X0110-0001	Air Cleaner Assembly	1
50	17151-Z300310-0000	Element, Air Cleaner	1
51	90305-0600-33	Hexagon Flange Nut, M6, Black Zinc	3
52	16061-Z010110-0000	Governor Shaft	1
53	90408-Z010210-00A0	Washer, Ø6.2 x Ø15 x 0.6	1
54	90501-Z010110-0001	Pin, Governor Arm, White Zinc	1
55	16070-Z010110-0001	Governor Arm, White Zinc	1
56	16520-Z4A0111-0000	Throttle Control Assembly, White Zinc	1
57	16063-Z010310-0100	Spring, Governor	1
58	16062-Z010210-0100	Governeor Rod, White Zinc	1
59	16012-Z010310-0000	Throttle Valve Returning Spring	1
60	16072-Z010310-0000	Governor Support Bolt, M6 x 21, Black Zinc	1

## CYLINDER HEAD PART DIAGRAM

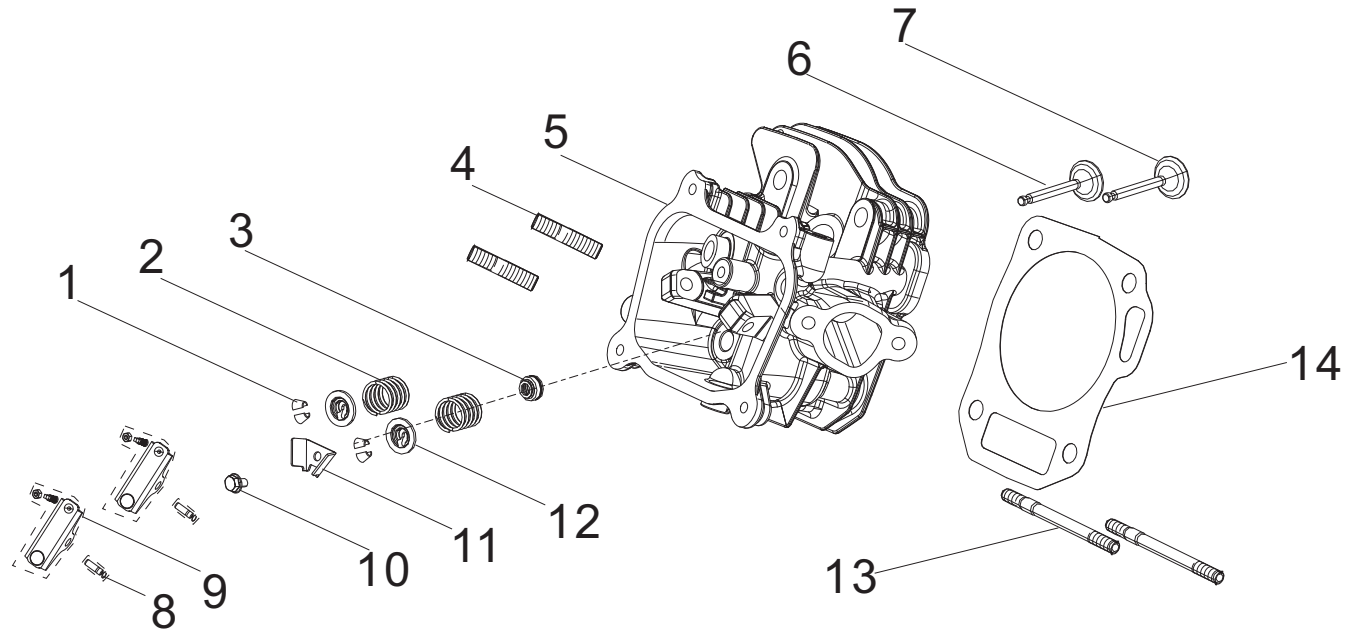


Figure C

**CYLINDER HEAD PART LIST**

#	Part Number	Description	Qty.
1	12109-Z810110-0000	Valve Lock Clamp	4
2	12103-Z010110-0000	Valve Spring	2
3	12101-Z810210-0000	Seal, Inlet Valve	1
4	90203-Z010110-0000	Stud, M8 x 34, Black Zinc	2
5	12140-Z950210-0BA0	Cylinder Head	1
6	12121-Z950110-0000	Exhaust Valve	1
7	12111-Z950110-0000	Inlet Valve	1
8	14318-Z950110-0000	Rocker Shaft Assembly	2
9	14310-Z950110-0000	Valve Rocker Assembly	2
10	90001-0610-03	Hexagon Flange Bolt, M6 x 10, Black Zinc	1
11	12419-Z950310-00A0	Pin Plate, Cylinder Head Cover	1
12	12112-Z810210-0000	Retainer, Valve Spring	2
13	90204-Z010210-0000	Stud, M6 x 96, Black Zinc	2
14	12131-Z950210-0000	Cylinder Head Gasket	1



## CARBURETOR PART DIAGRAM

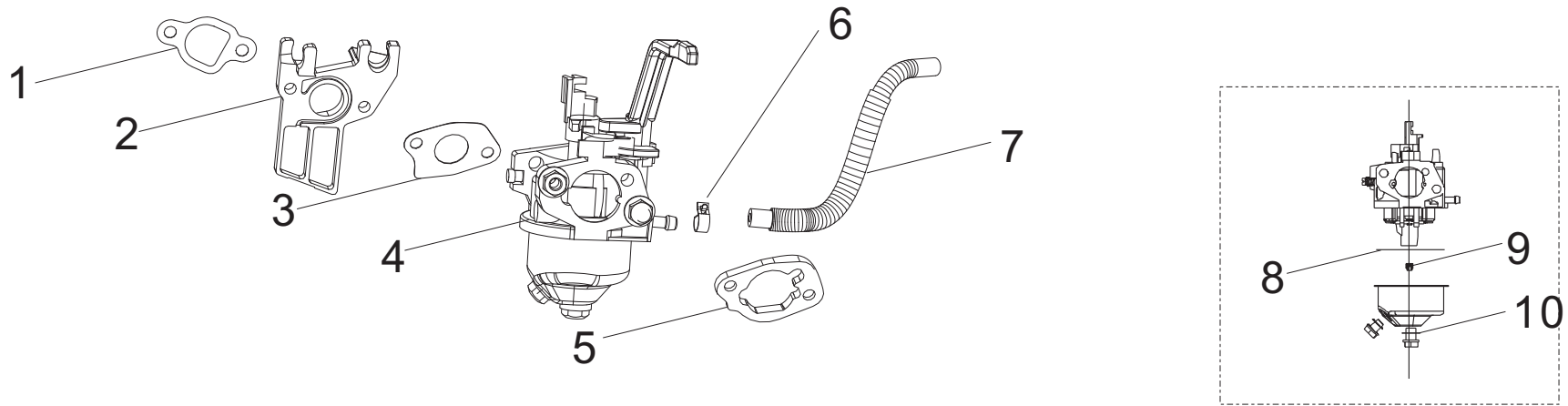


Figure D

**CARBURETOR PART LIST**

#	Part Number	Description	Qty.
1	16002-Z950110-0000	Carburetor Insulator Gasket	1
2	16003-Z950110-0000	Carburetor Insulator Plate	1
3	16001-Z010110-0000	Carburetor Gasket	1
4	16100-Z950510-00M0	Carburetor	1
5	17001-Z010210-0000	Air Cleaner Gasket	1
6	90685-D080-0EAO	Clamp, Ø8 x 7 x 0.6	1
7	90686-Z010810-00M1	Tube, Fuel, Ø4.5 x Ø8.5 x 140	1
8	16112-Z010110-0000	Seal Ring, Float	1
9	16161-Z151910-00A2	Main Jet (78#), Standard	1
	16161-Z151610-00A5	Main Jet (75#), Altitude 3000-6000 Feet	/
	16161-Z151310-00A3	Main Jet (72#), Altitude 6000-8000 Feet	/
10	90681-Z010610-0000	Seal Ring	1

# ALTERNATOR PART DIAGRAM

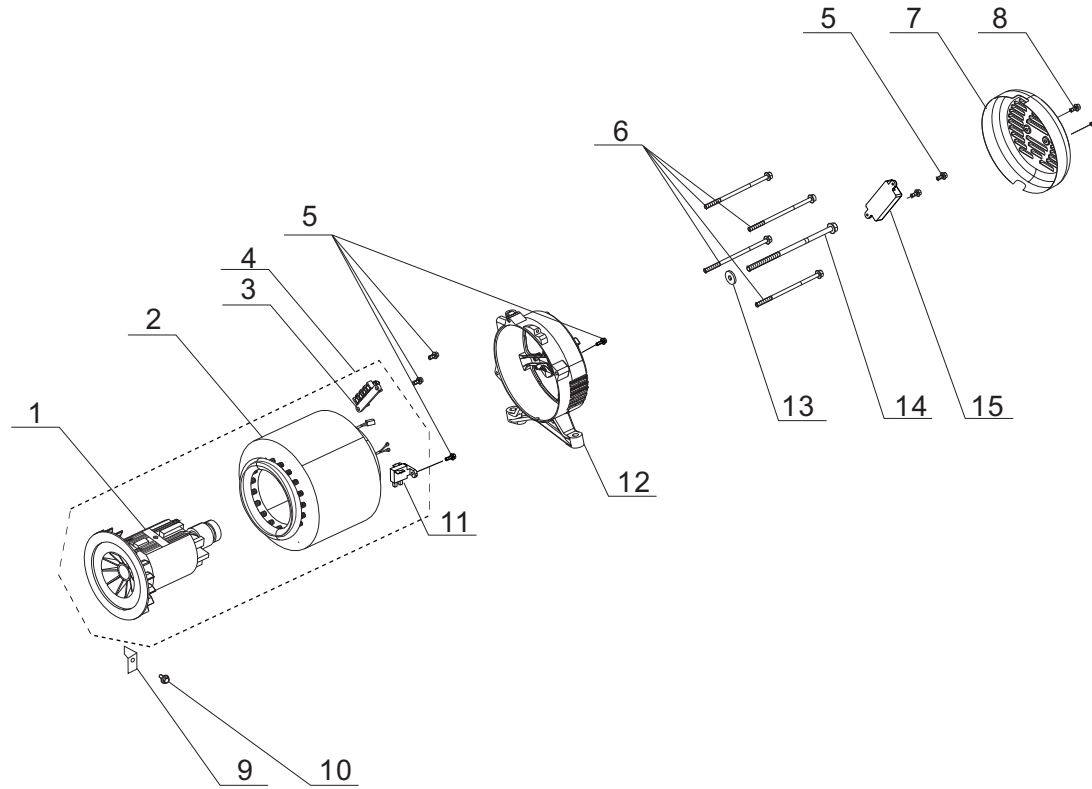


Figure E

**ALTERNATOR PART LIST**

#	Part Number	Description	Qty.
1	31330-YHB0110-0000	Rotor, AL, D160 x 130	1
2	31310-YGK0210-0000	Stator, AL, D160 x 130	1
3	31303HY020110-0000	Terminal Block	1
4	31300-YGK0310-0000	Alternator Assembly, AL, D160 x 130	1
5	90001-0516-0105	Hexagon Flange Bolt, M5 x 16, White Zinc	6
6	30048-YE30110-0900	Bolt, M6 x 174, Stator	4
7	30022-YGK0110-L400	Cover, End Housing, Yellow, PMS109C	1
8	90001-0512-0301	Hexagon Flange Bolt, M5 x 12, Black Zinc	2
9	30023-Y020110-0900	Stopper, Motor Right Cover	1
10	90001-0612-0305	Hexagon Flange Bolt, M6 x 12, Black Zinc	1
11	31320-YGK0110-0000	Carbon Brush Subassembly	1
12	30021-Y020310-00A0	End Housing	1
13	90408-Y020210-0001	Flat Washer, Black Zinc	1
14	30049-YE30110-0001	Bolt M8 x 230, Rotor	1
15	30060-YGK0110-0000	Rectifier	1

# FUEL TANK PART DIAGRAM

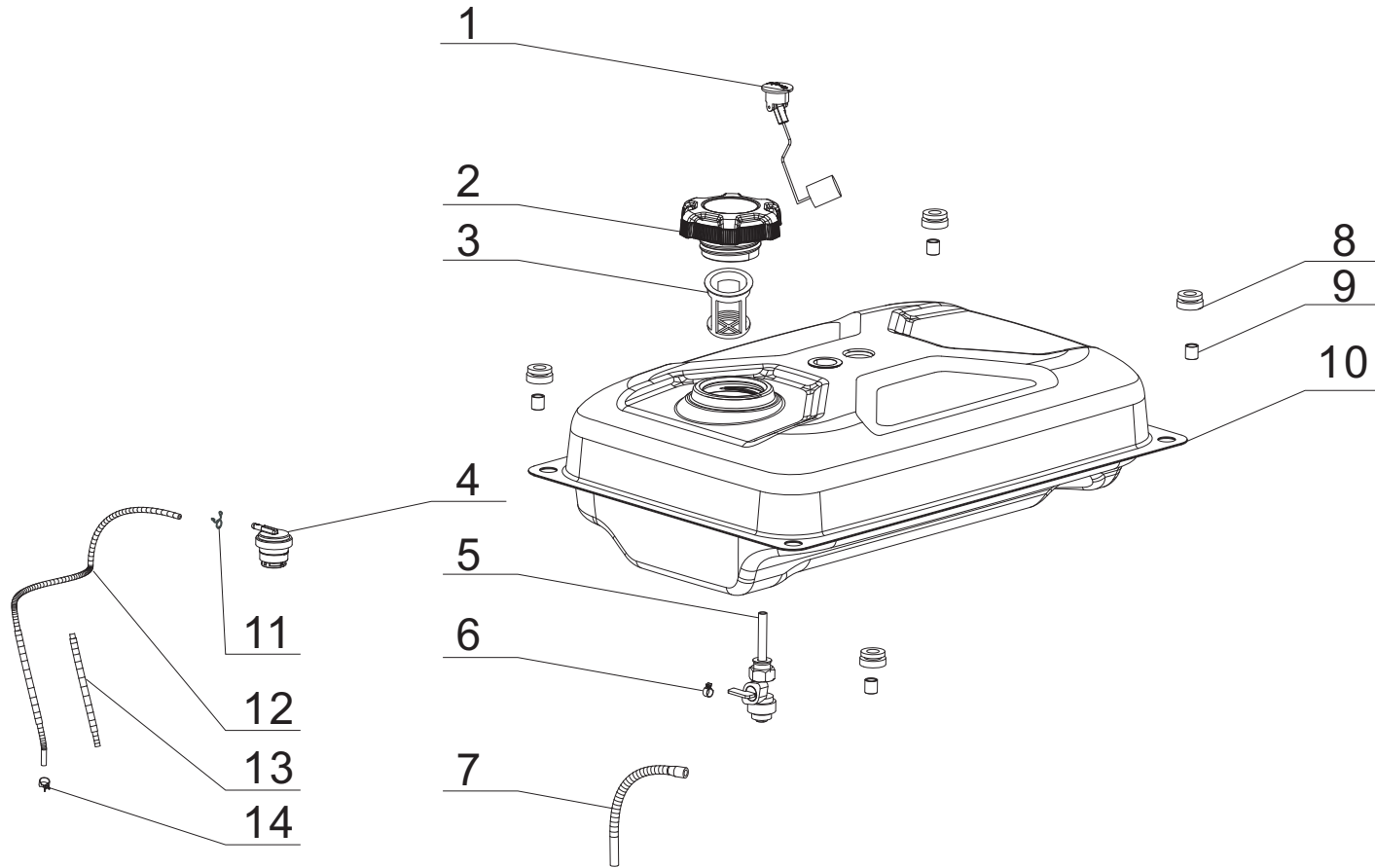


Figure F

**FUEL TANK PART LIST**

#	Part Number	Description	Qty.
1	37200-YGK0110-00A0	Fuel Gauge	1
2	16730-YGM0110-00A0	Fuel Tank Cap	1
3	16652-YGM0110-00A0	Fuel Filter	1
4	15150-YGK0110-00A0	Valve, Reversal	1
5	16750-Y020211-0001	Valve, Fuel Shutoff with Filter	1
6	90685-D080-0EA0	Clamp, Ø8 x Ø7 x 0.6	1
7	30431-Y020110-0001	Rubber Sleeve, Fuel Tube	1
8	16601-Y020120-0001	Vibration Mount, Fuel Tank	4
9	90683-Y020110-0005	Bushing, White Zinc	4
10	16620-YGK0110-L4A0	Fuel Tank, 17.8 L	1
11	90740-Z010610-00A1	Clamp, Ø9	1
12	16804-Y1K0210-0001	Tube, Vent, Ø4.5 x Ø8.5 x 685	1
13	30431-YCM0310-0001	Rubber Sleeve, Vent Tube, Ø9.5 x Ø11 x 150	1
14	90685-D105-0EA0	Clamp, Ø10.5 x Ø0.5 x 8	1

## OUTLET PANEL PART DIAGRAM

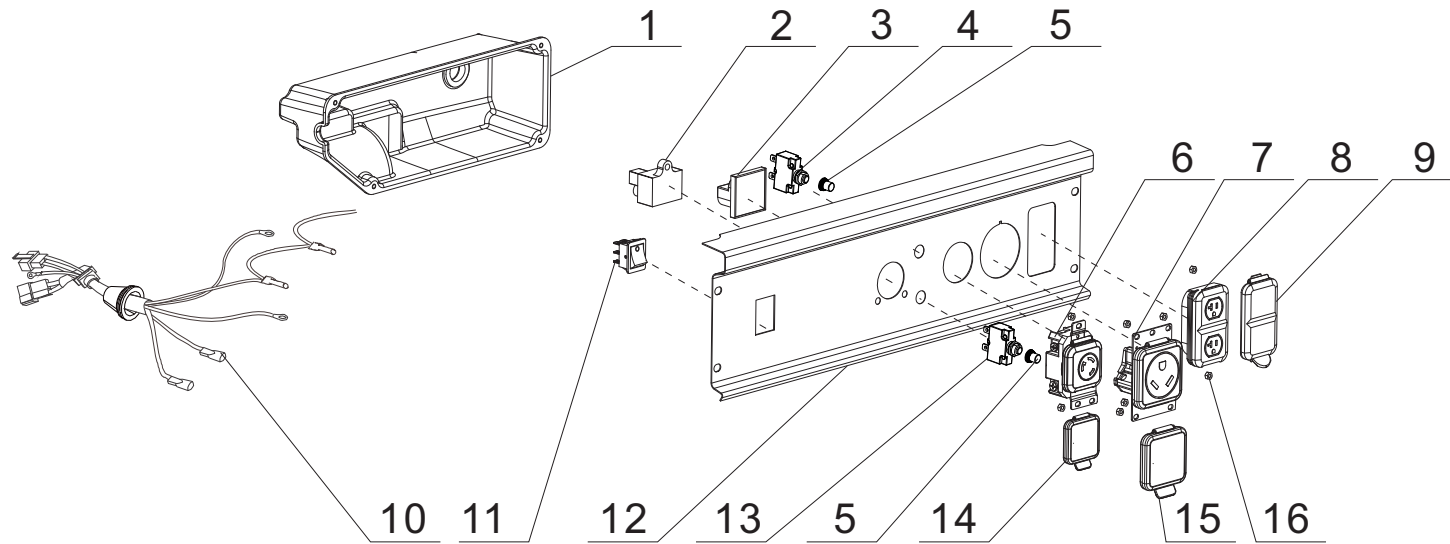


Figure G

**OUTLET PANEL PART LIST**

#	Part Number	Description	Qty.
1	35601-YGK0110-Q200	Control Panel Housing	1
2	30008-YGK0210-0000	OVP Module	1
3	35632-YGK0110-0000	Intelligauge, VFT-2	1
4	31234-YBE0210-0000	20Amp Circuit Breaker, Push Button, 125/250V	1
5	35654-YGK0110-0000	Cover,Circuit Breaker	2
6	35614-Y4D0110-0000	L5-30R Receptacle, 30A, 125V	1
7	35614-Y2D0110-0000	TT-30R Receptacle, 30A, 125V	1
8	35614-Y730110-0000	5-20R Duplex Receptacle, 20A, 125V	1
9	35654-YBE0110-0000	Cover, Receptacle 5-20R	1
10	35660-YGK0110-0000	Wire Harness	1
11	35160-Y450110-0000	Switch, Engine	1
12	35650-YGK0110-H200	Control Panel	1
13	31234-YGK0110-0000	30Amp Circuit Breaker, Push Button, 125V/250V	1
14	35654-YGK0210-0000	Receptacle Cover, L5-30R	1
15	35654-YGK0310-0000	Receptacle Cover, TT-30R	1
16	90305-0400-71A0	Hexagon Flange Nut, M4, White Zinc	8



# FRAME ASSEMBLY DIAGRAM

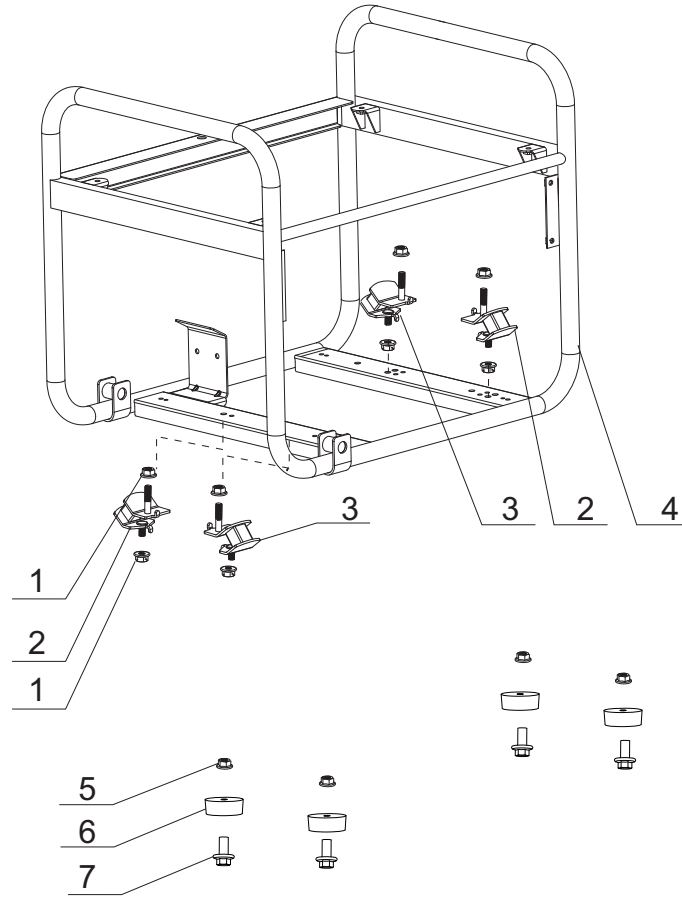


Figure H

**FRAME ASSEMBLY PART LIST**

#	Part Number	Description	Qty.
1	90305-0800-3305	Hexagon Flange Nut, M8, Black Zinc	8
2	51005HY020120-0000	Vibration Mount 1, Frame	2
3	51011HY020120-0000	Vibration Mount 2, Frame	2
4	51100-YGK0510-H2A0	Frame	1
5	90305-0600-0302	Hexagon Flange Nut, M6, Black Zinc	4
6	51014HY020120-00A0	Support Leg, Frame	4
7	90007-0616-A305	Hexagon Flange Bolt, M6 x 16, Black Zinc	4

# WIRING DIAGRAM

