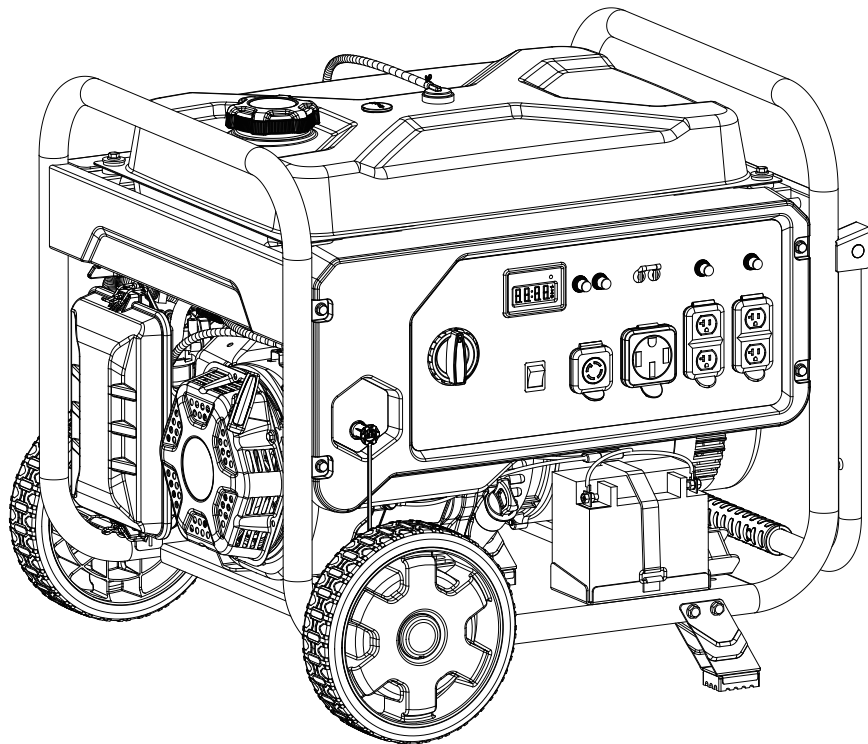




Champion Power Equipment, Inc.

**MODEL #201037**



## **PARTS INFORMATION**

**8500W ELECTRIC START DUAL FUEL GENERATOR**

**SERIAL NUMBER RANGE: ALL**



To order replacement parts please visit:  
**[shop.championpowerequipment.com](http://shop.championpowerequipment.com)**  
or call **1-877-338-0999**.

## **TABLE OF CONTENTS**

<b>Generator Parts Diagram .....</b>	<b>3</b>
<b>Generator Parts List.....</b>	<b>4</b>
<b>Engine Parts Diagram .....</b>	<b>5</b>
<b>Engine Parts List.....</b>	<b>6</b>
<b>Cylinder Head Parts Diagram .....</b>	<b>8</b>
<b>Cylinder Head Parts List .....</b>	<b>9</b>
<b>Carburetor Parts Diagram.....</b>	<b>10</b>
<b>Carburetor Parts List .....</b>	<b>11</b>
<b>Alternator Parts Diagram.....</b>	<b>12</b>
<b>Alternator Parts List .....</b>	<b>13</b>
<b>Fuel Tank Parts Diagram.....</b>	<b>14</b>
<b>Fuel Tank Parts List .....</b>	<b>15</b>
<b>Control Panel Parts Diagram.....</b>	<b>16</b>
<b>Control Panel Parts List .....</b>	<b>17</b>
<b>Frame Parts Diagram .....</b>	<b>18</b>
<b>Frame Parts List .....</b>	<b>19</b>
<b>Wiring Diagram .....</b>	<b>20</b>

# GENERATOR PARTS DIAGRAM

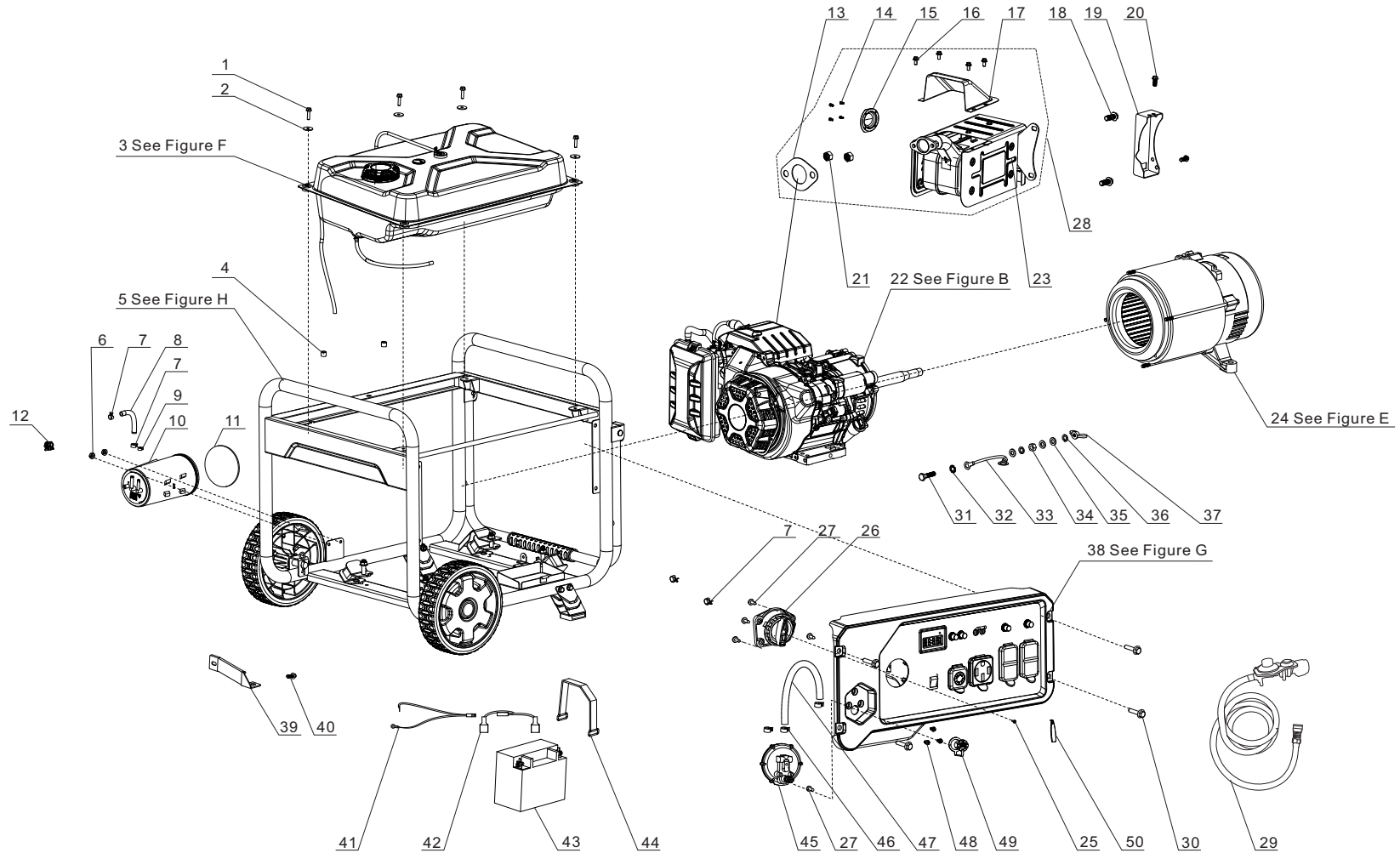


Figure A

## GENERATOR PARTS LIST

#	Part Number	Description	Qty.
1	90007-0625-0301	Hexagon Flange Bolt, M6 x 25, Black Zinc	4
2	90408-Y020110-0005	Flat Washer, Ø6, Black Zinc	4
3	ELYL3Q-YXZJ-F000	Fuel Tank Assembly - See Figure F	1
4	90698-Y1Z0110-0002	Protective Rubber Sleeve	2
5	ELYL3Q-JJZJ-H000	Frame Assembly - See Figure H	1
6	90305-0600-3301	Hexagon Flange Nut, M6, Black Zinc	2
7	90685-D090-0EA0	Clamp, Ø9 × Ø0.8 × 8	4
8	16805-YJ90110-0000	Connection Tube, Ø4.5 x Ø8.5 x 100, Air Cleaner	1
9	90685-D080-0EA0	Clamp, Ø8 × Ø0.6 × 7	1
10	16801-YDK0110-00A1	Carbon Canister, 750cc	1
11	82153-YGM0110-00A0	Heat Film	1
12	90685-YJ30110-Q200	Clamp, Ø9.5×Ø8	1
13	18101-Z0D0310-00A0	Muffler Outlet Gasket	1
14	90139-0510-0900	Hexagon Flange Bolt, M5 x 10, Black Zinc	4
15	18250-YGM0110	Spark Arrestor	1
16	90007-0612-A301	Hexagon Flange Bolt, M6 x 12, Black Zinc	4
17	80019-YJP0210-H7A0	Guide Hood, Muffler	1
18	90001-0816-0305	Hexagon Flange Bolt, M8 x 16, Black Zinc	2
19	18030-Y730110-000C	Muffler Support, White Zinc	1
20	90001-0816-0109	Hexagon Flange Bolt, M8 x 16, White Zinc	2
21	90303-0800-0301	Hexagon Nut, M8, Black Zinc	2
22	R460DNV00FB-CMP310	Engine - See Figure B	1
23	18100-YGM0213-H7A0	Muffler Assembly	1
24	ELYL3Q-DJZJ-E000	Alternator Assembly - See Figure E	1
25	90254-0416-51A0	Screw Assembly, M4×16, White Zinc	1
26	16750-YJ70112-0000	Fuel Valve Assembly	1
27	90124-Y9T0510-00A0	Self Tapping Screw, PT5×16	6
28	ELYL3Q-XSQ-0000	Muffler Assembly 1	1
29	77300-YJ70110-0000	LPG Hose With Regulator	1

#	Part Number	Description	Qty.
30	90007-0616-A305	Hexagon Flange Bolt, M6 x 16, Black Zinc	4
31	90001-0625-0305	Hexagon Flange Bolt, M6 x 25, Black Zinc	1
32	90415-0600-Z301	Lock Washer, Toothed, Black Zinc	1
33	30009-Y910110-0000	Grounding Wire	1
34	90303-0600-3305	Hexagon Nut, M6, Black Zinc	1
35	90408-0600-E305	Flat Washer, Black Zinc	3
36	90403-0600-0305	Spring Washer, Black Zinc	2
37	90312-0600-0301	Wing Nut, M6, Black Zinc	1
38	35610-YJ80110-H200	Control Panel Assembly - See Figure G	1
39	17003-YJ70110-0100	Air Cleaner Support, White Zinc	1
40	90001-0612-0305	Hexagon Flange Bolt, M6 x 12, Black Zinc	1
41	31114HYGM0110-0001	DC Wire Harness, Engine	1
42	31112HYGM0210-0000	DC Wire Harness, Battery	1
43	31110-Y9X0110-00A0	Battery	1
44	31115-Y6D0110-0001	Band, 246×20×3.5, Battery	1
45	77100-Z6D0110-0000	Gas Pressure Reducing Valve	1
46	90748-1016-00A0	Clamp, Ø10×16	3
47	90729-YJ90110-0000	Vent Pipe, Ø9.5× Ø16.8×250	1
48	90134-YB00110-00A0	Bolt, Cross Hexagon Pan Head, M5 x 12, Black Zinc	3
49	16287-YJ30110-0000	Dust Cap	1
50	82007-YJ70110-L400	Decorative Cover, PMS 109C	1

# ENGINE PARTS DIAGRAM

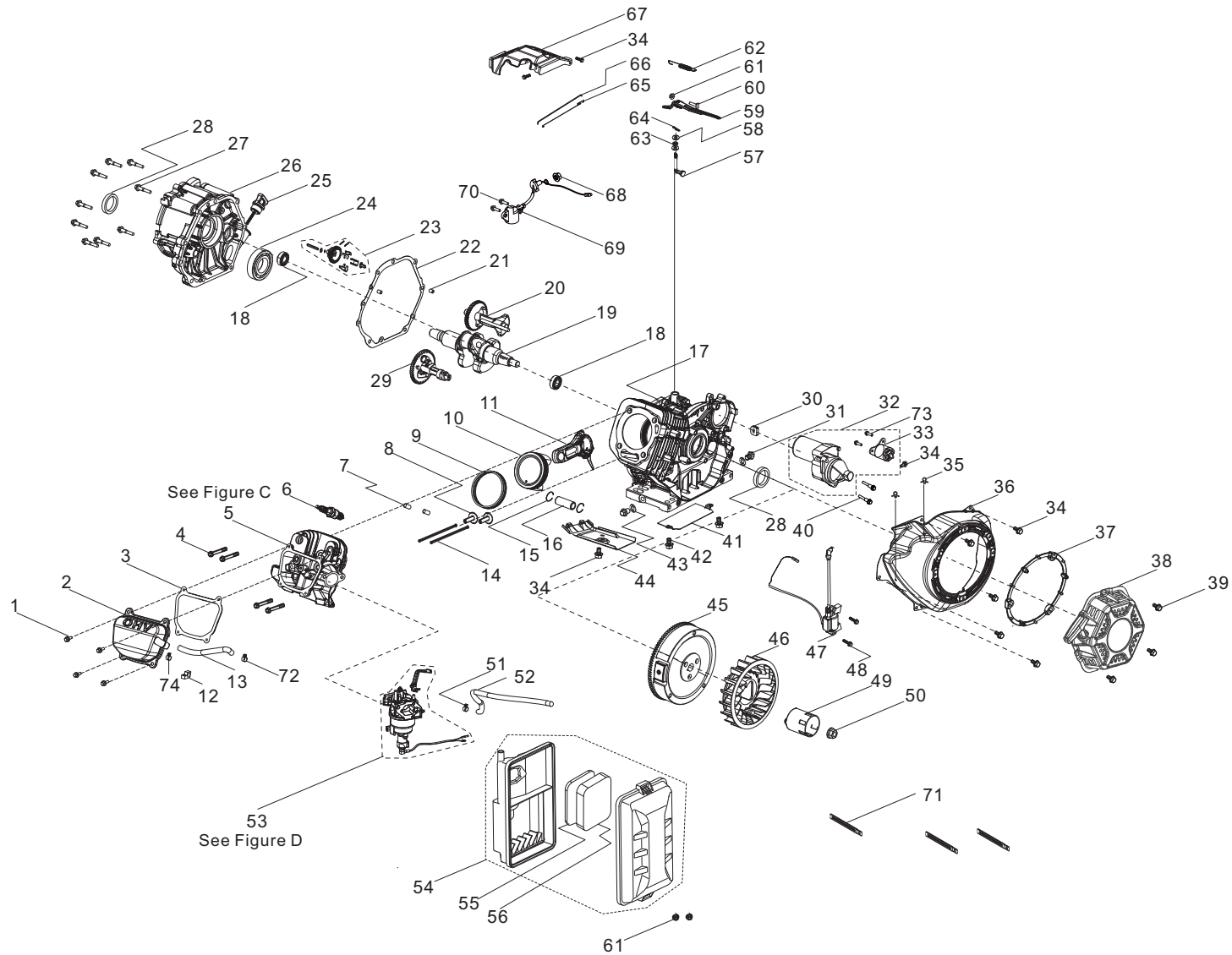


Figure B

**ENGINE PARTS LIST**

#	Part Number	Description	Qty.
1	90001-0612-0101	Hexagon Flange Bolt, M6 x 12, White Zinc	4
2	12410-Z0D0110-01A0	Cylinder Head Cover, White Zinc	1
3	12004-Z0J0510-0000	Cylinder Head Cover Gasket	1
4	12003-Z0N0110-0100	Cylinder Head Bolt, M10x 85, White Zinc	4
5	R460DNV-QGT-C000	Cylinder Head - See Figure C	1
6	30010-Z010110-00A0	Spark Plug, F6RTC	1
7	90502-1220-00A0	Pin, Ø12 x 20	2
8	14081-Z080110-0000	Valve Tappet	2
9	13200-Z0J0110-00A0	Piston Ring Assembly	1
10	13111-Z6B0110-00A0	Piston	1
11	13010-Z6B0110-00A0	Connecting Rod	1
12	90804-Y5Z0210-0001	Stop Block	1
13	17004-Z0D0310-0000	Tube, Breather, Ø12 x Ø16 x 108	1
14	14070-Z0D0110-0000	Valve Lifter	2
15	13122-Z100110-0000	Piston Pin Clip	2
16	13121-Z570110-0000	Piston Pin	1
17	11310-Z6B0110-0BA0	Crankcase Assembly	1
18	90548-0202-00A0	Bearing 1	2
19	13300-Z0D0110-00A0	Crankshaft Assembly	1
20	13401-Z0D0110-00A0	Balancing Shaft	1
21	90502-0812-00A0	Pin, Ø8x 12	2
22	11001-Z0D0110-0000	Crankcase Gasket	1
23	16400-Z100110-0000	Governor Gear Assembly	1
24	90547-6208-00A1	Bearing 2	1
25	15010-Z0D0110-L400	Oil Dipstick	1
26	11411-Z0D0110-0BA0	Crankcase Cover	1
27	90001-0840-03	Hexagon Flange Bolt, M8 x 40, Black Zinc	9
28	90682-Z0J0110-0001	Oil Seal, Ø50 x Ø40 x 9	2
29	14200-Z0D0110-0009	Camshaft Assembly	1
30	28101-Z080110-0001	Plug, Rubber	1

#	Part Number	Description	Qty.
31	11007-Z080110-0300	Drain Plug Bolt, M12x18, Black Zinc	2
32	09100-Z170310-0100	Starter Motor	1
33	30500-Z170120-0000	Starting relay, Starter Motor	1
34	90001-0612-03	Hexagon Flange Bolt, M6 x 12, Black Zinc	9
35	90685-Z940310-0001	Clamp	2
36	28110-Z710710-L400	Shroud	1
37	28261-Z980110-0001	Retainer Ring, Recoil Starter	1
38	28200-Z590110-H200	Recoil Assembly	1
39	90001-0620-03	Hexagon Flange Bolt, M6 x 20, Black Zinc	3
40	90001-0835-0102	Hexagon Flange Bolt, M8 x 35, White Zinc	2
41	19306-Z0D0110-0100	Crankcase Air Deflector, White Zinc	1
42	90001-0610-03	Hexagon Flange Bolt, M6 x 10, Black Zinc	2
43	90412-Z080110-00A0	Washer, Ø21x Ø12x 2	2
44	19304-Z100210-0101	Cylinder Body Shroud	1
45	13510-Z0D0410-0000	Flywheel	1
46	19352-Z100120-00A2	Cooling Fan, Engine	1
47	30400-Z0D0110-0000	Ignition Coil	1
48	90001-0628-01A0	Hexagon Flange Bolt, M6 x 28, White Zinc	2
49	28002-Z0D0110-0000	Starter Pulley, White Zinc	1
50	13501-Z080110-00A0	Nut, M16 x 1.5, White Zinc	1
51	90748-1016-00A0	Clamp, Ø10~Ø16	1
52	90729-Z6D0112-0000	Vent Hose, 9.5×16.8×460	1
53	R460DNV-HYQ-D001	Carburetor - See Figure D	1
54	17100-Z0D0210-0000	Air Cleaner	1
55	17151-Z0D0210-0000	Element 1, Air Cleaner	1
56	17151-Z0D0310-0000	Element 2, Air Cleaner	1
57	16061-Z0D0110-0000	Governor Arm	1
58	90412-Z080210-00A0	Washer, Ø19.5x Ø8.4x 0.8	2
59	16070-Z100120-0001	Governor Support, White Zinc	1
60	16072-Z010310-0000	Governor Support Bolt, M6 x 21, Black Zinc	1

#	Part Number	Description	Qty.
61	90305-0600-33	Hexagon Flange Nut, M6, Black Zinc	3
62	16063-Z0D0110-0100	Spring, Governor	1
63	90682-Z100210-0001	Oil Seal, Ø14 x Ø8x 4	1
64	90501-Z010110-0001	Pin, White Zinc	1
65	16012-Z080110-0000	Spring, Throttle Valve Returning	1
66	16062-Z100110-0001	Governeor Rod, White Zinc	1
67	16520-Z0D0110-0100	Air Guide, Engine Fan, White Zinc	1
68	90305-Z010210-0300	Hexagon Flange Nut, M10, White Zinc	1
69	37060-Z080410-0000	Engine Oil Sensor, W/O Nut	1
70	90001-0616-01A0	Hexagon Flange Bolt, M6 x 16, White Zinc	2
71	90684-Z010310-0001	Clip, Ø10.6 x Ø6x 130	3
72	90685-Z0D0110-0100	Clamp, Ø16 x 1.6	1
73	90001-0516-01	Hexagon Flange Bolt, M5 x 16, White Zinc	2
74	90685-Z130210-0100	Clamp, Ø17 x 1.4	1

## CYLINDER HEAD PARTS DIAGRAM

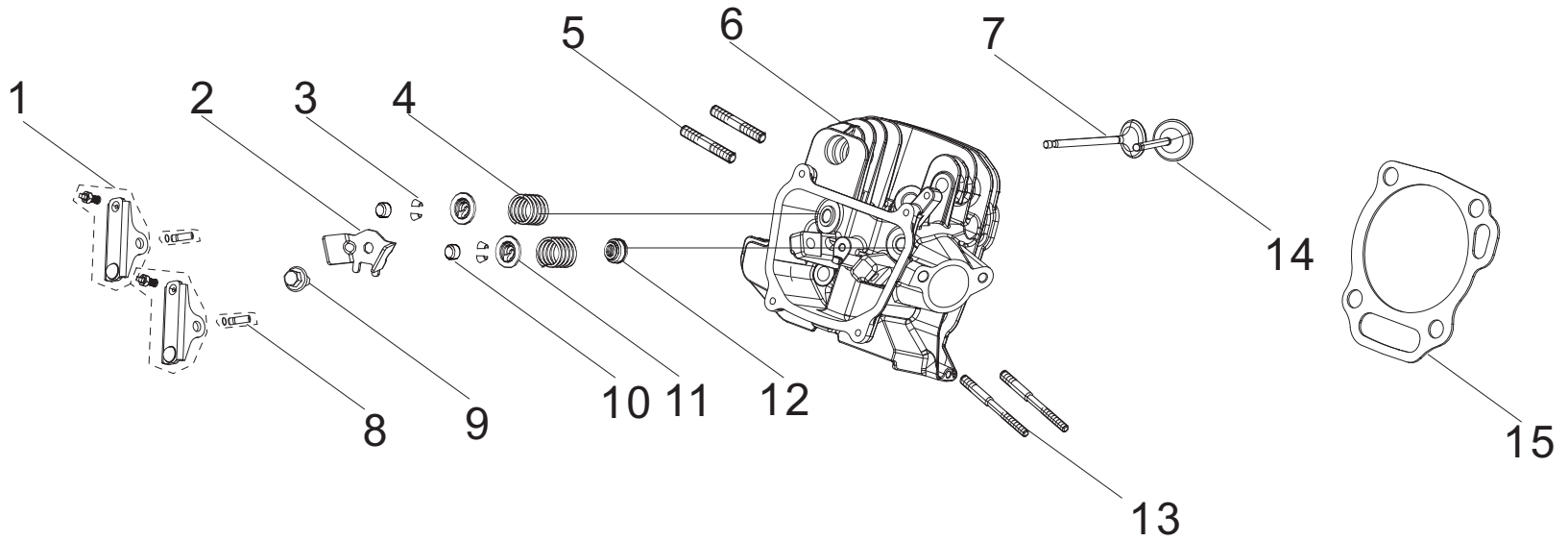


Figure C



**CYLINDER HEAD PARTS LIST**

#	Part Number	Description	Qty.
1	14310-Z0D0110-0000	Valve Rocker	2
2	12419-Z950310-00A0	Cylinder Head Pin Limit Plate	1
3	12109-Z0D0110-00A0	Valve Lock Clamp	4
4	12103-Z990110-0000	Valve Spring	2
5	90203-Z010110-0301	Stud, M8 x 34, Black Zinc	2
6	12140-Z6B0110-0BA0	Cylinder Head Subassembly	1
	S/N≤210CT0810768		
	12140-Z6B0210-0BA0		
	S/N>210CT0810768		
7	12121-Z6B0110-00A0	Exhaust Valve	1
8	14318-Z990111-00A0	Rocker Arm Shaft Assembly	2
9	90001-0612-03	Hexagon Flange Bolt, M6 x 12, Black Zinc	1
10	12104-Z010110-0000	Rotator, Valve	2
11	12112-Z0D0110-0000	Valve Spring Retainer	2
12	12101-Z020110-0000	Seal Guide	1
13	90204-Z100410-00A0	Stud, M6/M8 x 110, Black Zinc	2
14	12111-Z0D0210-00A0	Inlet Valve	1
15	12131-Z6B0110-00A0	Cylinder Head Gasket	1

## CARBURETOR PARTS DIAGRAM

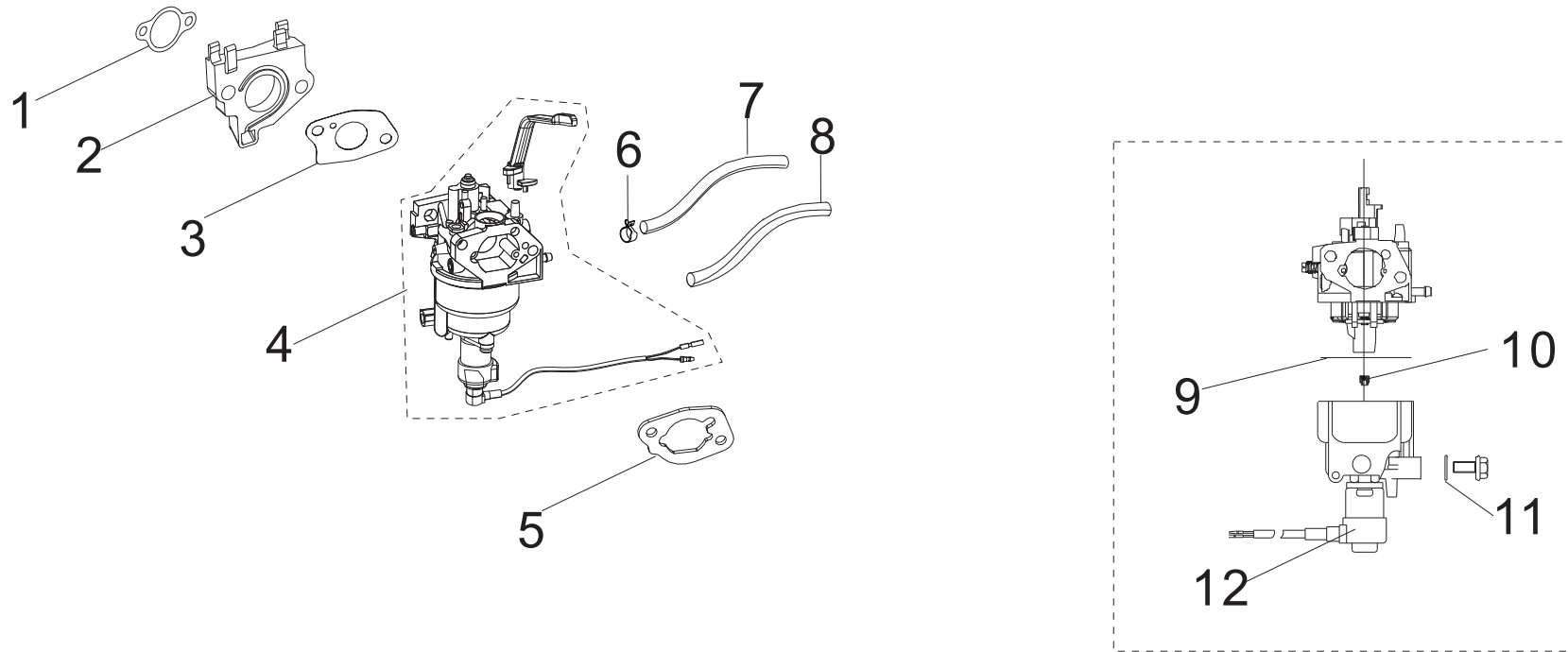


Figure D

## CARBURETOR PARTS LIST

#	Part Number	Description	Qty.
1	17002-Z0D0110-0000	Gasket, Inlet	1
2	16003-Z0D0110-0001	Carburetor Insulator Plate	1
3	16001-Z100110-0000	Carburetor Gasket	1
4	16100-Z6D0111-00M0	Carburetor Assembly	1
5	17001-Z0D0110-0000	Air Cleaner Gasket	1
6	90685-Z080210-0001	Clamp, Ø9 x 0.8 x 8, White Zinc	1
7	90686-Z6D0210-00M0	Fuel Tube, Ø4 x Ø10 x 490	1
8	30431-Z120310-0000	Rubber Sleeve, Ø13 x Ø11.5 x 180	1
9	16112-Z080110-0000	Seal Ring, Ø54 x Ø57, Float	1
10	16161-Z0C0110-00A1	Main Jet (H128×0.39), Standard	1
	16161-Z191210-00A1	Main Jet (H128×0.41), Altitude 3000-6000 Feet	/
	16161-Z100410-00A1	Main Jet (H128×0.43), Altitude 6000-8000 Feet	/
11	90681-Z080110-0000	Seal Ring, Ø22.6 x Ø2.4	1
12	16108-Z080210-0000	Valve, Solenoid	1

# ALTERNATOR PARTS DIAGRAM

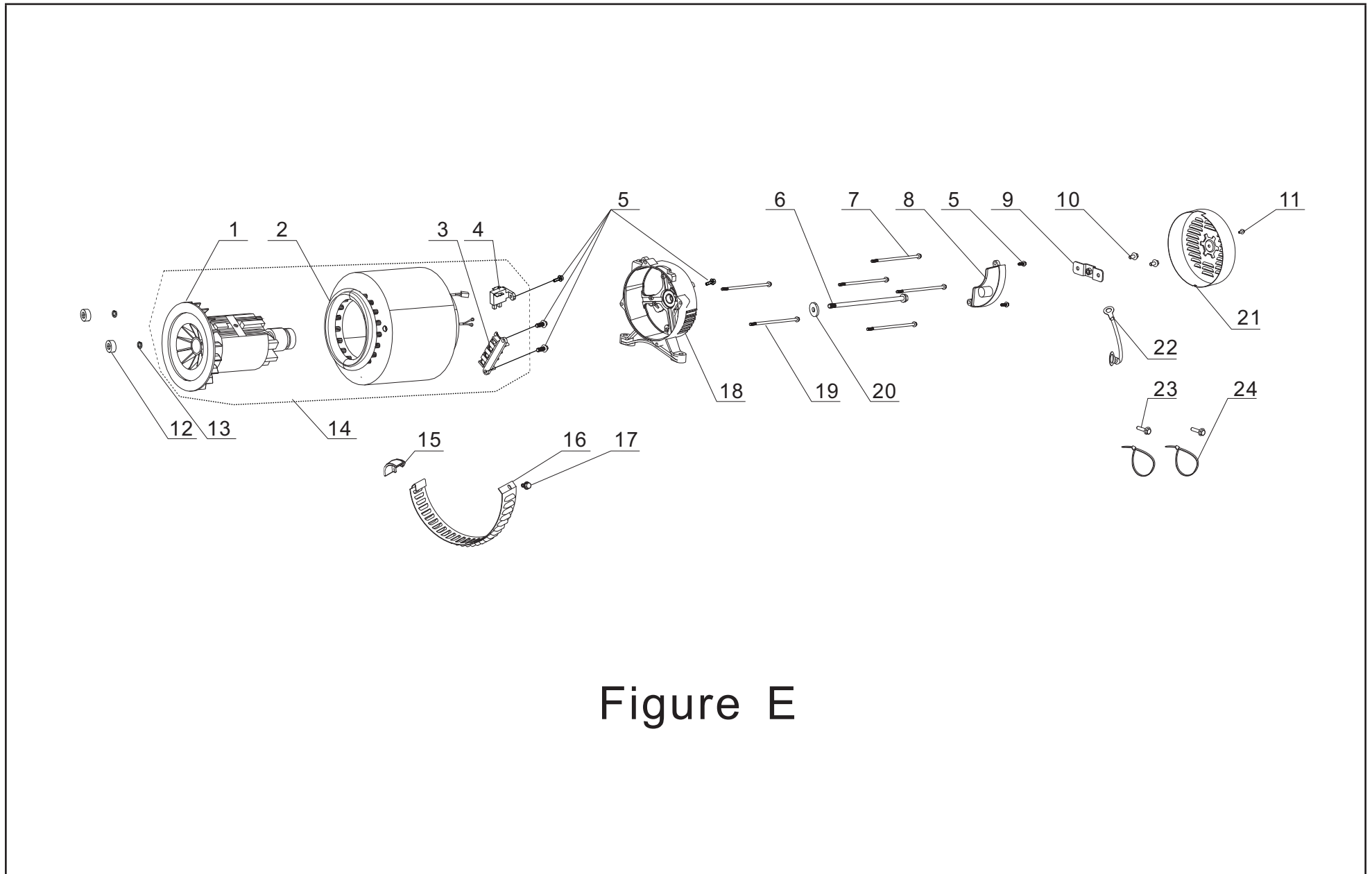


Figure E

**ALTERNATOR PARTS LIST**

#	Part Number	Description	Qty.
1	31330-YJ80110-0000	Rotor, AL, Ø190 x 158	1
2	31310-YJ80110-0000	Stator, AL, Ø190 x 158	1
3	31303HY090110-0000	Terminal Block	1
4	31320-YHD0120-0000	Carbon Brush Subassembly	1
5	90001-0516-0105	Hexagon Flange Bolt, M5 x 16, White Zinc	6
6	30049-Y950110-0101	Bolt, M10 x1.25 x 285, Rotor, White Zinc	1
7	30048-Y950110-0100	Bolt, M6 x 199, Stator, White Zinc	4
8	30060-YHD0110-0000	AVR	1
9	51124-YJ70110-0100	Mounting Bracket, White Zinc	1
10	90001-0512-0301	Hexagon Flange Bolt, M5 x 12, Black Zinc	2
11	90001-0612-0305	Hexagon Flange Bolt, M6 x 12, Black Zinc	1
12	31317-Y030110-0000	Nut, Stator, M5, Black Zinc	2
13	90403-0500-03	Spring Washer, Black Zinc	2
14	31300-YJ80110-0000	Alternator Assembly, AL, Ø190 x 158	1
15	30023-YC20110-00A0	Stopper, Engine Fan Vent	1
16	30024-Y730110-0001	Vent, Engine Fan	1
17	90001-0510-0105	Hexagon Flange Bolt, M5 x 10, White Zinc	1
18	30021-YJ70111-00A0	End Housing	1
19	31316HYDK0110-0000	Bolt, Stator, M5 x 235	2
20	90408-Y030110-0100	Flat Washer, Ø10.4 × Ø30 × 4, White Zinc	1
21	30022-YJ70110-L400	Cover, End Housing	1
22	30009-YJ70110-0000	Grounding Wire	1
23	90007-0512-A301	Hexagon Flange Bolt, M5 x 12, Black Zinc	2
24	90727-Y020110-00A0	Band, 4×200	2

## FUEL TANK PARTS DIAGRAM

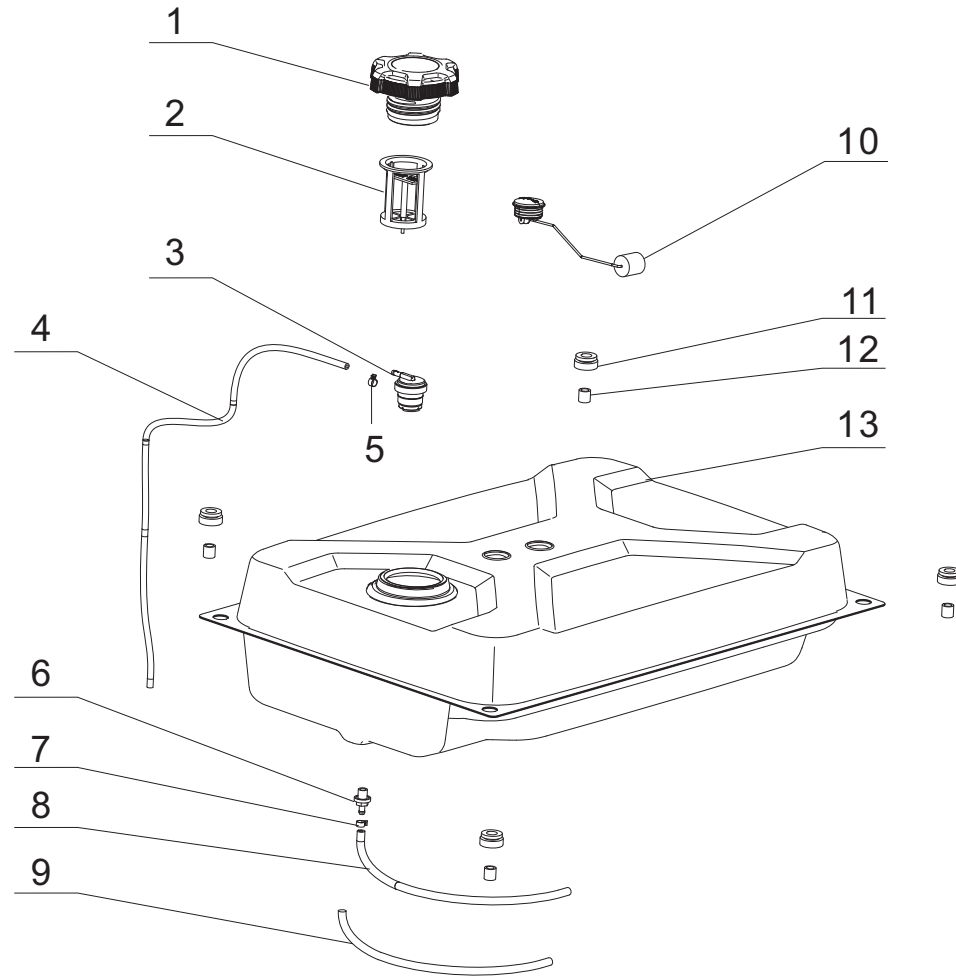


Figure F

**FUEL TANK PARTS LIST**

#	Part Number	Description	Qty.
1	16730-YGM0110-00A0	Fuel Tank Cap	1
2	16652-YGM0110-00A0	Fuel Filter	1
3	15150-YGK0110-00A0	Reversal Valve	1
4	16804-YJ90110-0000	Tube, Vent, Evaporative, Ø4.5 x Ø8.5 x 865	1
5	90740-Z010610-00A1	Clamp, Ø9	1
6	16680-YJ30110-00A0	Fitting, Fuel Tank Drain	1
7	90685-D105-0EA0	Clamp, 10.5x8x0.8	1
8	90686-YJ70210-00M0	Tube, Fuel, Ø4 x Ø10 x 305	1
9	30431-Z120310-0000	Rubber Sleeve, Ø13 x Ø11.5 x 180	1
10	37200-YGM0110-00A0	Fuel Gauge	1
11	16601-Y020120-0001	Vibration Mount 1, Ø12.5 x 16, Fuel Tank	4
12	90683-Y020110-0005	Bushing, White Zinc	4
13	16620-YGM0310-L4A0	Fuel Tank, 7.7gal, PMS 109C	1

# CONTROL PANEL PARTS DIAGRAM

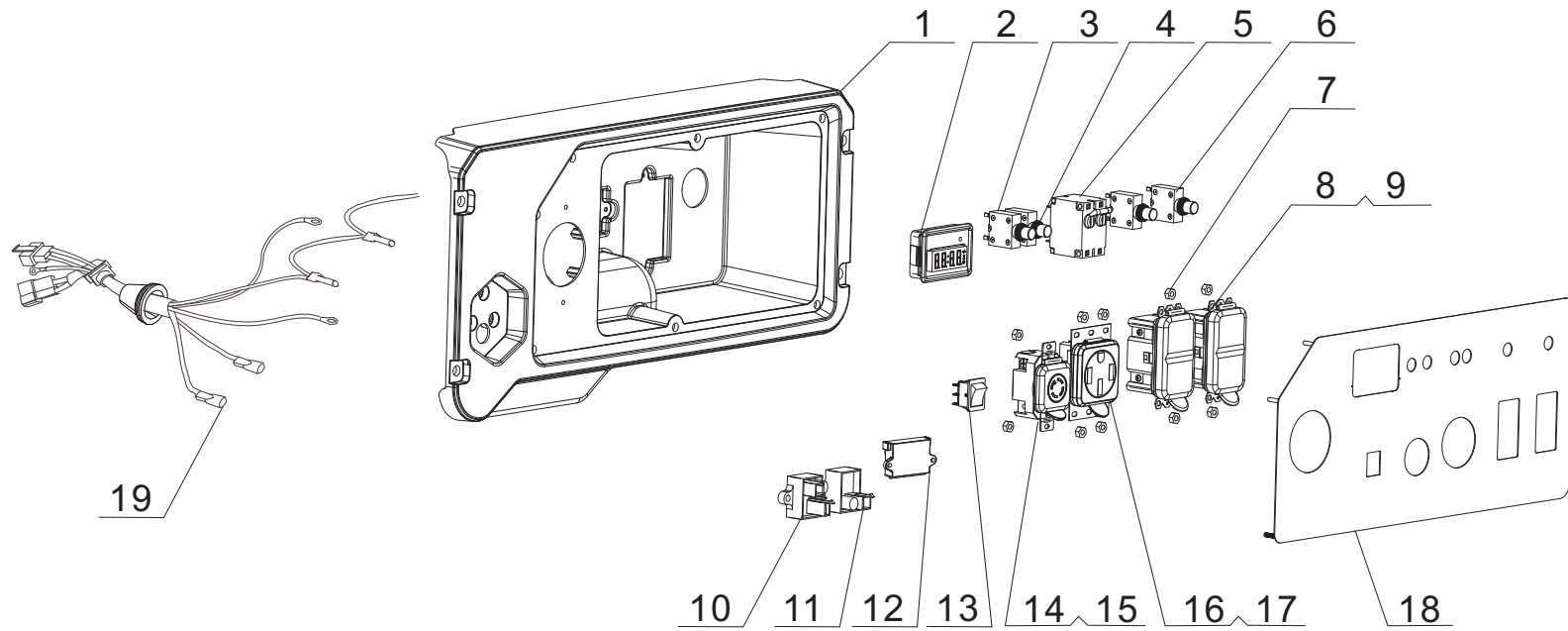


Figure G



**CONTROL PANEL PARTS LIST**

#	Part Number	Description	Qty.
1	35680-YJ80110-Q2A0	Control Panel Housing	1
2	35632-YGM0111-0000	Intelligauge Display	1
3	31234-Y4D0110-0000	30Amp Circuit Breaker, Push Button	2
4	35654-YGK0110-0000	Cover, Push Button	4
5	35627-YDK0210-0000	35Amp Circuit Breaker, 2P Flip	1
6	31234-YBE0210-0000	20Amp Circuit Breaker, Push Button	2
7	90305-0400-71A0	Hexagon Flange Nut, M4, White Zinc	10
8	35614-Y9X0110-0000	5-20R GFCI Receptacle, 20A, 125V	2
9	35654-YBE0110-0000	Receptacle Cover, 5-20R	2
10	30008-YJ30210-0000	Control Module, Carburetor	1
11	30008-YJ30110-0000	OVF Module	1
12	30007-Y9X0210-0000	Charging Module	1
13	35160-YJ90110-0000	Switch, Engine	1
14	35614-Y090110-0000	L14-30R Receptacle, 30A, 125V/250V	1
15	35654-YBE0210-0000	Receptacle Cover, L14-30R	1
16	35614-Y400110-0000	L14-50R Receptacle, 50A, 125V/250V	1
17	35654-Y2T0110-0000	Receptacle Cover, 14-20R	1
18	35650-YJ80110-H200	Control Panel	1
19	35660-YJ80110-0000	Wire Harness, Control Panel	1

# FRAME PARTS DIAGRAM

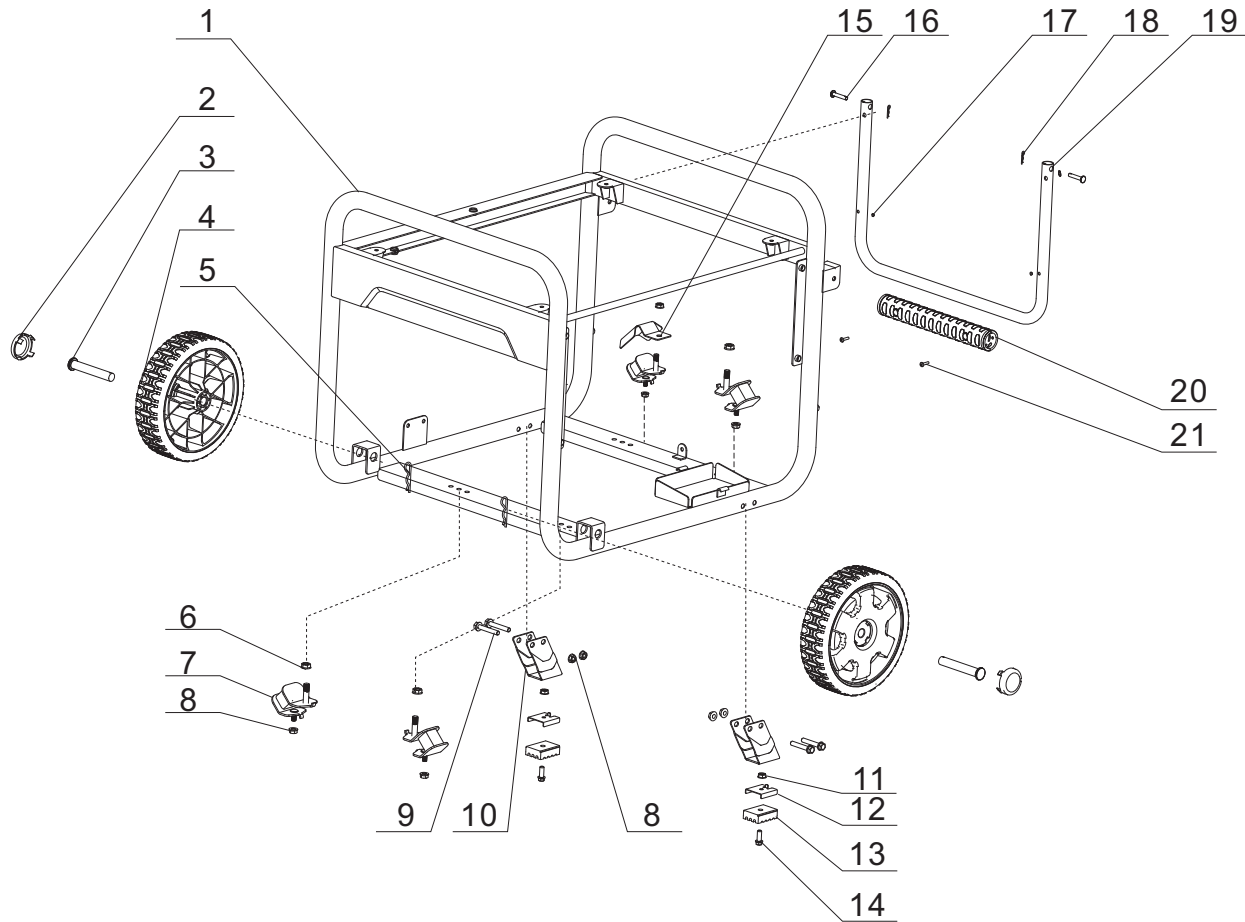


Figure H

**FRAME PARTS LIST**

#	Part Number	Description	Qty.
1	51100-YJ80110-H2A0	Frame	1
2	44001-V580110-L401	Cover, Hub Decorated, PMS 109C	2
3	44020-YGM0110-0300	Roll Pin, Ø16 x 95, Black Zinc	2
4	44110-YGM0110-L400	Wheel, 9.5 in, PMS 109C	2
5	90501-Y2C0110-03A1	R-Clip, Ø3 x 65.5, Black Zinc	2
6	90306-1000A0301	Hexagon Flange Nut, M10, Black Zinc	4
7	51012HY030120-0000	Vibration Mount 1, Frame	4
8	90305-0800-3305	Hexagon Flange Nut, M8, Black Zinc	9
9	90001-0850-0301	Hexagon Flange Bolt, M8 x 50, Black Zinc	4
10	51016-YJ70110-H2A0	Support Leg	2
11	90305-0600-3301	Hexagon Flange Nut, M6, Black Zinc	2
12	24329-YJ70110-H200	Bracket, Anti-Rotation	2
13	51014-YJ70110-0000	Vibration Mount, Support Leg, 53x40x16	2
14	90001-0620-0305	Hexagon Flange Bolt, M6 x 20, Black Zinc	2
15	24329-YGM0210-H2A0	Heat Shield	1
16	90504-Y9X0110-0305	Pin Shaft, Ø8 x 40, Black Zinc	2
17	90722-YEC0110-0001	Plug, End	2
18	90583-YGK0110-03A0	R-Clip, Ø2 x 35, Black Zinc	2
19	54110-YJ90110-H2A0	Handle, Ø25 x 1.2	1
20	54101-YGM0110-L400	Handle Sheath, PMS 109C	1
21	90103-0416-5301	Cross Recess Pan Head Screw, M4x16, Black Zinc	2

# WIRING DIAGRAM

