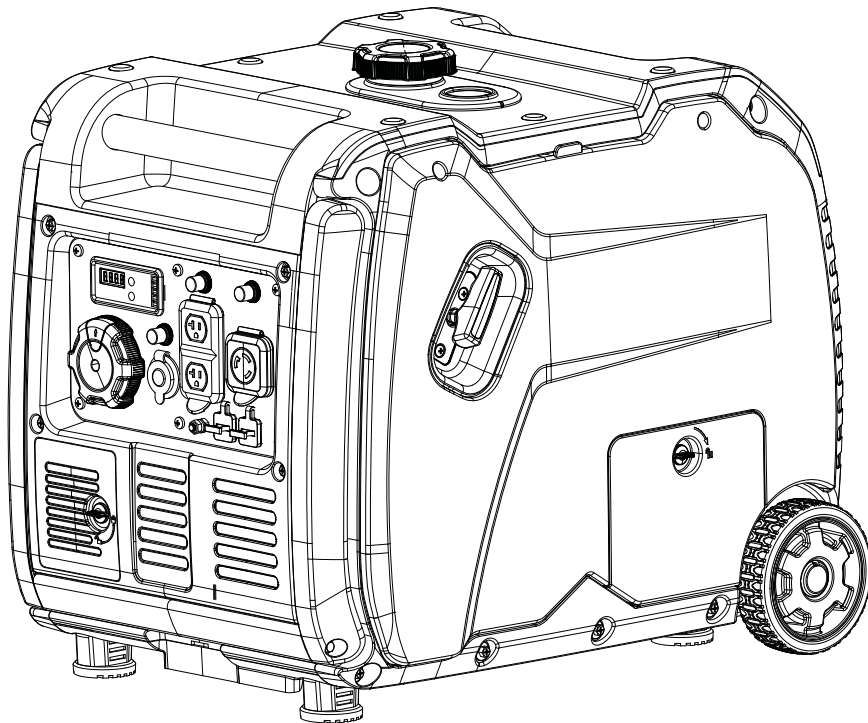




Champion Power Equipment, Inc., Santa Fe Springs, CA USA

MODEL #201079



PARTS INFORMATION

4650W PORTABLE INVERTER GENERATOR

SERIAL NUMBER RANGE: ALL



To order replacement parts please visit:
shop.championpowerequipment.com
or call **1-877-338-0999**.

TABLE OF CONTENTS

Generator Parts Diagram	3
Generator Parts List.....	4
Engine Parts Diagram	6
Engine Parts List.....	7
Cylinder Head Diagram	9
Cylinder Head Part List	10
Carburetor Diagram	11
Carburetor Part List.....	12
Frame Assembly Diagram	13
Frame assembly Part List	14
Fuel Tank Diagram	15
Fuel tank Part List	16
Outlet Panel Diagram	17
Outlet Panel Part List.....	18
Wheel Kit Diagram	19
Wheel Kit Part List.....	20
Wiring Diagram	21

GENERATOR PARTS DIAGRAM

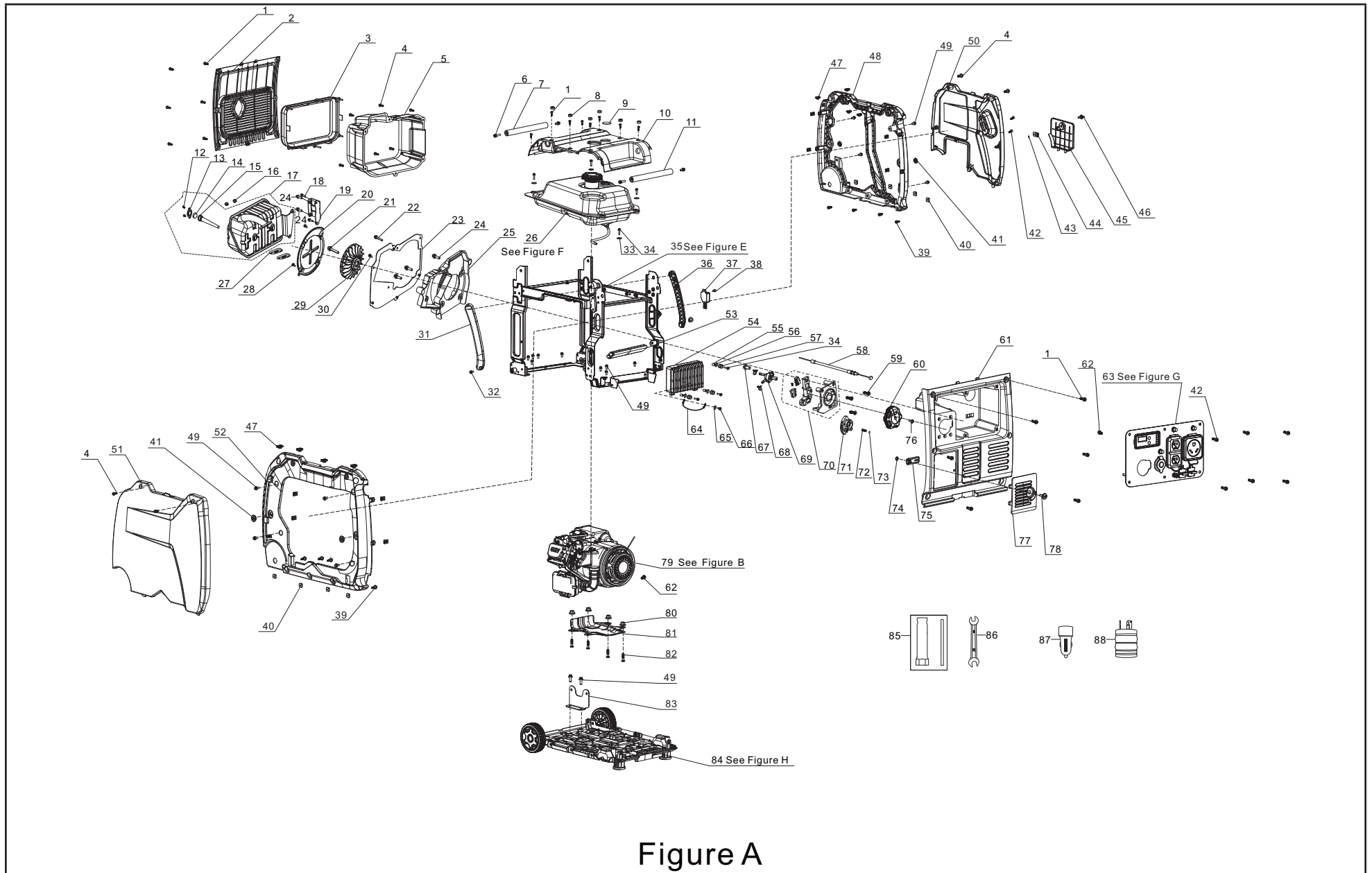


Figure A

GENERATOR PARTS LIST

#	Part Number	Description	Qty.
1	90208-YB00410-0000	Hexagonal Step Bolt, M5 x 16, Black Zinc	20
2	18002HYBW0110-Q201	Louver, Muffler	1
3	18018-Y2P0120-0001	Insulator Glue Cushion, Muffler	1
4	90208-YB00210-0000	Hexagonal Step Bolt, M5 x 12, Black Zinc	10
5	18130HYBW0110-Q201	Muffler Guard	1
6	90001-0830-03A0	Hexagonal Flange Bolt, M8 x 30, White Zinc	4
7	80153HYBW0210-H801	Handle 2, Ø28 x 332	1
8	90722-YBW0110-0001	Plug 1, End	6
9	37205-Y2V0310-00A1	Fuel Gauge	1
10	94230HYBW0110-Q201	Cover, Upper	1
11	80153HYBW0110-H801	Handle 1, Ø28 x 273	1
12	18012-Z800310-0000	Bolt, M5 x 10, Spark Arrestor	2
13	18213-Z800310-0000	Cover Plate, Spark Arrestor	1
14	18218-Z800210-0000	Muffling Block	1
15	18250-Z800210-0000	Spark Arrestor	1
16	90303-0800-31A0	Hexagonal Nut, M8, White Zinc	2
17	18100-YBW0111-00A0	Muffler Assembly	1
18	90007-0612-A1A0	Hexagonal Flange Bolt, M6 x 12, Big head, White Zinc	2
19	18030HYBW0110-H300	Muffler Bracket	1
20	18020-YBW0110-0000	Plate, Muffler Insulator	1
21	90001-0820-01A0	Hexagon Flange Bolt, M8 x 20, White Zinc	1
22	90007-0635-A1A0	Hexagon Flange Bolt, M6 x 35, White Zinc	1
23	18299HYBW0121-0000	Bracket, Muffler Guard	1
24	90001-0816-01A0	Hexagon Flange Bolt, M8 x 16, White Zinc	5
25	28110HYBW0111-Q200	Shroud	1
26	ELYLQJ-YXZJ-F000	Fuel Tank Assembly - See Figure F	
27	18001-Z950110-00A0	Exhaust Outlet Gasket	2
28	90134-YB00110-0000	Bolt, Cross hexagon Pan Head, M5 x 12, Black Zinc	2

#	Part Number	Description	Qty.
29	19352HYBW0110-Q2A0	Cooling Fan, Inverter	1
30	90124-Y9T0310-00A0	Self Tapping Screw, PT4x13	1
31	54912HYBW0111-Q201	Rotating Arm 2, Left	1
32	90001-0612-03A0	Hexagonal Flange Bolt, M6 x 12, Black Zinc	2
33	90408-Y020310-00A0	Flat Washer, Ø25 x Ø6.2 x 2, White Zinc	4
34	90001-0625-01A1	Hexagonal Flange Bolt, M6 x 25, White Zinc	7
35	ELYLQJ-JJZJ-E000	Frame Assembly - See Figure E	
36	54912HYBW0211-Q201	Rotating Arm 1, Right	1
37	30060-YHV0110-0000	Rectifier	1
38	90001-0616-03A0	Hexagonal Flange Bolt, M6 x 16, Black Zinc	1
39	90208-YB00110-0000	Hexagonal Step Bolt, M6 x 20, Black Zinc	8
40	90326-Y2V0110-00A0	Square Nut, M6, White Zinc	8
41	16601-Y2V0210-0001	Vibration Mount 2, Fuel Tank	4
42	90255-0512-53A0	Screw & Washer Assembly, M5 x 12, Black Zinc	8
43	37073-Y2V0110-00A0	Clip, Spring	1
44	24329-Y9T0120-Q201	Block 1 - Clip Nut	1
	24329-YCF0110-Q201	Block 1 - Clip Nut	1
45	51197HYJR0110-L400	Side Access Panel, Service	1
46	80105-YB00110-Q201	Knob, Side Access Panel, Service	1
47	17199-YB00110-00A0	Clip Nut, M5, White Zinc	16
48	80095HYBW0110-Q201	Shell, Right	1
49	90001-0612-01A1	Hexagonal Flange Bolt, M6 x 12, White Zinc	19
50	80096HYJR0310-L400	Cover Board, Right	1
51	80092HYJR0310-L400	Cover Board, Left	1
52	80091HYBW0110-Q201	Shell, Left	1
53	54913-YBW0110-0P00	Rotating Bar	1
54	30043-YH30210-0000	Inverter, 3.3/3.8KW, 120V/60Hz	1
55	90683-Y2P0210-00A0	Bushing, Ø11 x Ø7 x 16	3
56	90406-0600-E1A0	Flat Washer, Ø6.4 x Ø18 x 1.6, White Zinc	3

#	Part Number	Description	Qty.
57	30431-Y2P0110-0001	Rubber Sleeve	3
58	16080-YBW0110-0000	Choke Handle Subassembly	1
59	90129-0416-01A0	Self Tapping Screw, 4.2 x 16, White Zinc	3
60	35643HYH30110-Q2A1	Knob, Switch Dial, Engine	1
61	35680HYBW0110-Q201	Control Panel Housing	1
62	90001-0610-01A1	Hexagonal Flange Bolt, M6 x 10, White Zinc	2
63	35610-YHV0410-H700	Control Panel Assembly - See Figure G	1
64	30009-YH30110-0000	Grounding Wire	1
65	90408-0500-E1A0	Flat Washer, Ø5, White Zinc	1
66	90005-0408-00	Hexagonal Screw, M4 x 8, White Zinc	1
67	90001-0614-01A1	Hexagonal Flange Bolt, M6 x 14, White Zinc	1
68	90685-D080-0EA0	Clamp, Ø8.0 x 0.6 x 7	2
69	16750-Y2V0141-00A0	Fuel Valve Assembly	1
70	35160-YHV0110-0000	Switch Assembly, Engine	1
71	94111-Y2V0410-00A1	Cover Board, 45x14	1
72	16527-Y2V0210-0000	Spring, Stopper Adjusting	1
73	90543-0500-00A0	Ball, Steel	1
74	90341-YA50110-0000	Nylon Nut, M5, Black,Zinc	1
75	24329-YCF0110-Q201	Block 2	1
76	90103-0416-51A0	Screw, M4 x 16, White Zinc	1
77	31123HYBW0110-Q201	Cover, Battery	1
78	90208-Y9T0120-0000	Hexagonal Step Bolt, M5 x 16, 6mm	1
79	R210MVI00F3-CMP322	Engine,212cc, EPA3, Electric - See Figure B	
80	90305-0800-31A0	Hexagonal Flange Nut, M8, White Zinc	4
81	19306-Z1D0110-0000	Crankcase Air Deflector	1
82	90001-0840-01A1	Hexagonal Flange Bolt, M8 x 40, White Zinc	4
83	17003HYBW0110-H701	Air Cleaner Support	1
84	ELYLQJ-DBZJ-H000	Wheel kit - See Figure H	1
85	93130-Z010410-0100	Spark Plug Socket	1
86	93107-Y920210-0100	Wrench, 8 - 10, White Zinc	1
87	35613-YBE0110-0000	12VDC USB Adapter	1
88	35613-YDR0110-Q200	Plug Adapter, L5-30 to TT-30	1

ENGINE PARTS DIAGRAM

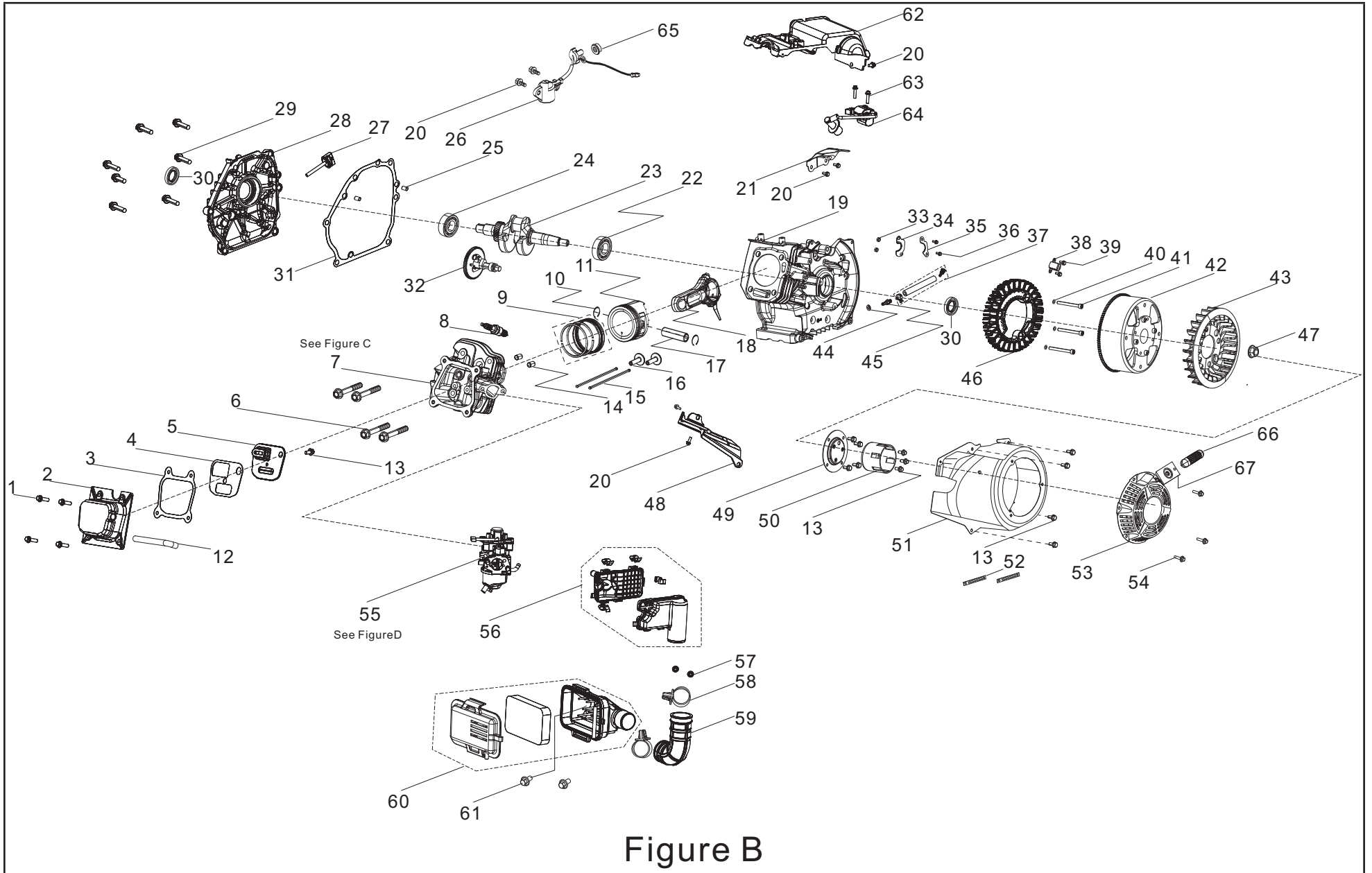


Figure B

ENGINE PARTS LIST

#	Part Number	Description	Qty.
1	90001-0620-01A0	Hexagon Flange Bolt, M6 x 20, White Zinc	4
2	12410-Z1D0110-00A0	Cylinder Head Cover Assembly, White Zinc	1
3	12004-Z1D0110-0000	Cylinder Head Cover Gasket	1
4	11332-Z1D0110-0000	Gasket, Breather Groove Cover	1
5	11320-Z1D0110-00A0	Breather, Cylinder Head Cover	1
6	12003-Z010110-00A0	Cylinder Head Bolt, M8 x 60, White Zinc	4
7	R210VI-QGT-C000	Cylinder Head Assembly - See Figure C	1
8	30010-Z010110-00A0	Spark Plug, F6RTC	1
9	13200-Z140210-00A9	Piston Ring Assembly	1
10	13122-Z010110-0000	Circlip, Piston Pin	2
11	13111-Z950110-00A9	Piston	1
12	17004-Z1D0110-0000	Breather Tube	1
13	90001-0612-01A0	Hexagon Flange Bolt, M6 x 12, White Zinc	12
14	90502-1114-00A0	Pin, Ø11 x 14	2
15	14071-Z950110-0000	Valve Lifter	2
16	14081-Z040110-00A0	Valve Tappet	2
17	13121-Z010110-0000	Piston Pin, Ø18 x Ø54	1
18	13010-Z950110-00A0	Connecting Rod	1
19	11310-Z1D0110-00A9	Crankcase Assembly	1
20	90001-0616-01A0	Hexagon Flange Bolt, M6 x 16, White Zinc	7
21	28118-Z1D0110-0000	Wind Block, Crankcase	1
22	90547-6305-00A1	Bearing 6305	1
23	13300-Z1D0110-00A0	Crankshaft Assembly	1
24	90547-0205-00A0	Bearing 6205	1
25	90502-0812-00A0	Pin, Ø8 x 12	2
26	37060-Z1D0112-0000	Engine oil Sensor, W/O Nut	1
27	15010-Z010210-Q200	Oil Dipstick Assembly	1
28	11411-Z1D0110-00A0	Crankcase Cover	1
29	90001-0832-01A0	Hexagon Flange Bolt, M8 x 32, White Zinc	6
30	90682-Z010110-0000	Oil Seal, Ø25 x Ø41.25 x 6	2

#	Part Number	Description	Qty.
31	11001-Z010120-0000	Crankcase Gasket	1
32	14200-Z1D0110-00A9	Camshaft Assembly	1
33	90305-0500-31A0	Hexagon Flange Nut, M5, White Zinc	2
34	54066-YE50110-0900	Wiring Clamp, White Zinc	1
35	30002-Z1D0110-0000	Wiring Clamp, Magneto	1
36	90001-0520-01A0	Hexagon Flange Bolt, M5 x 20, White Zinc	2
37	11011HZ1D0210-L400	Oil Drain Hose, Ø9.5 x Ø17 x 105	1
38	30130-Z1D0310-0000	Trigger	1
39	90001-0516-01A0	Hexagon Flange Bolt, M5 x 16, White Zinc	2
40	90408-0600-E1A0	Washer, Ø6, White Zinc	3
41	90102-0660-06A0	Hexagon Socket Cap Screw, M6 x 60	3
42	30110-YHV0110-0000	Rotor Component, Ø152 x 38	1
43	19352-Z1D0110-00A0	Cooling Fan, Engine	1
44	90408-Z010510-00A0	Flat Washer, Ø10 x Ø15.8 x 1.5	1
45	90689-Z430211-0000	Joint, Oil Drain Hose, White Zinc	1
46	30120-YH30210-0000	Stator Component, Ø152 x 38	1
47	13501-Z010110-00A0	Flywheel Nut, M14 x 1.5, White Zinc	1
48	19309-Z1D0110-0000	Right Shield, Crankcase	1
49	28020-Z150120-0000	Starter Pulley Base	1
50	28002-Z1D0110-0000	Starter Pulley	1
51	28110-Z1D0110-H600	Shroud, Engine	1
52	90684-Z030120-0000	Clip, 100 mm	2
53	28200-Z1D0410-H600	Recoil Starter Assembly	1
54	90251-0608-03	Bolts & Washer Assembly, M6 x 8, Black Zinc	3
55	R210Vi-HYQ-D000	Carburetor Assembly - See Figure D	1
56	17400-Z1D0112-0000	Air Cleaner, Auxiliary	1
57	90305-0600-31A0	Hexagon Flange Nut, M6, White Zinc	2
58	12081-Z1D0110-0000	Clamp, Ø53.5 x 9, Inlet Pipe	2
59	12510-Z1D0110-0001	Inlet Pipe	1
60	17100-Z1D0112-0001	Air Cleaner Assembly	1

#	Part Number	Description	Qty.
61	90001-0625-01A1	Hexagon Flange Bolt, M6 x 25, White Zinc	2
62	16675-Z1D0112-0000	Upper Shroud, Engine	1
63	90001-0628-01A0	Hexagon Flange Bolt, M6 x 28, White Zinc	2
64	30400-Z1D0311-0000	Ignition Coil	1
65	90305-Z010210-01A0	Hexagon Flange Nut, M10, White Zinc	1
66	28210-YEB0110-L400	Handle, Starter Rope	1
67	28004-YHX0110-Q200	Guide Plate, Starter Rope	1

CYLINDER HEAD DIAGRAM

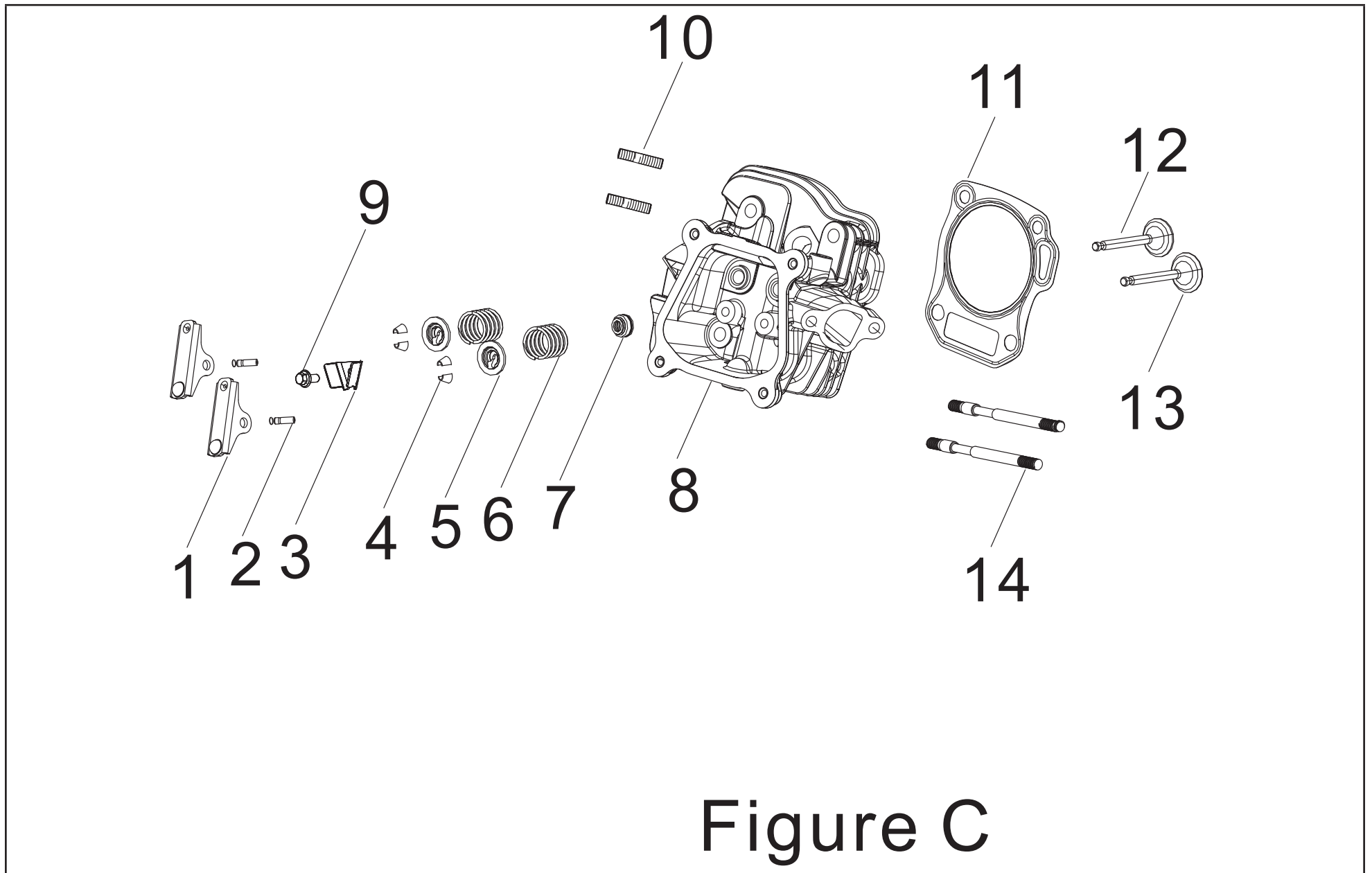
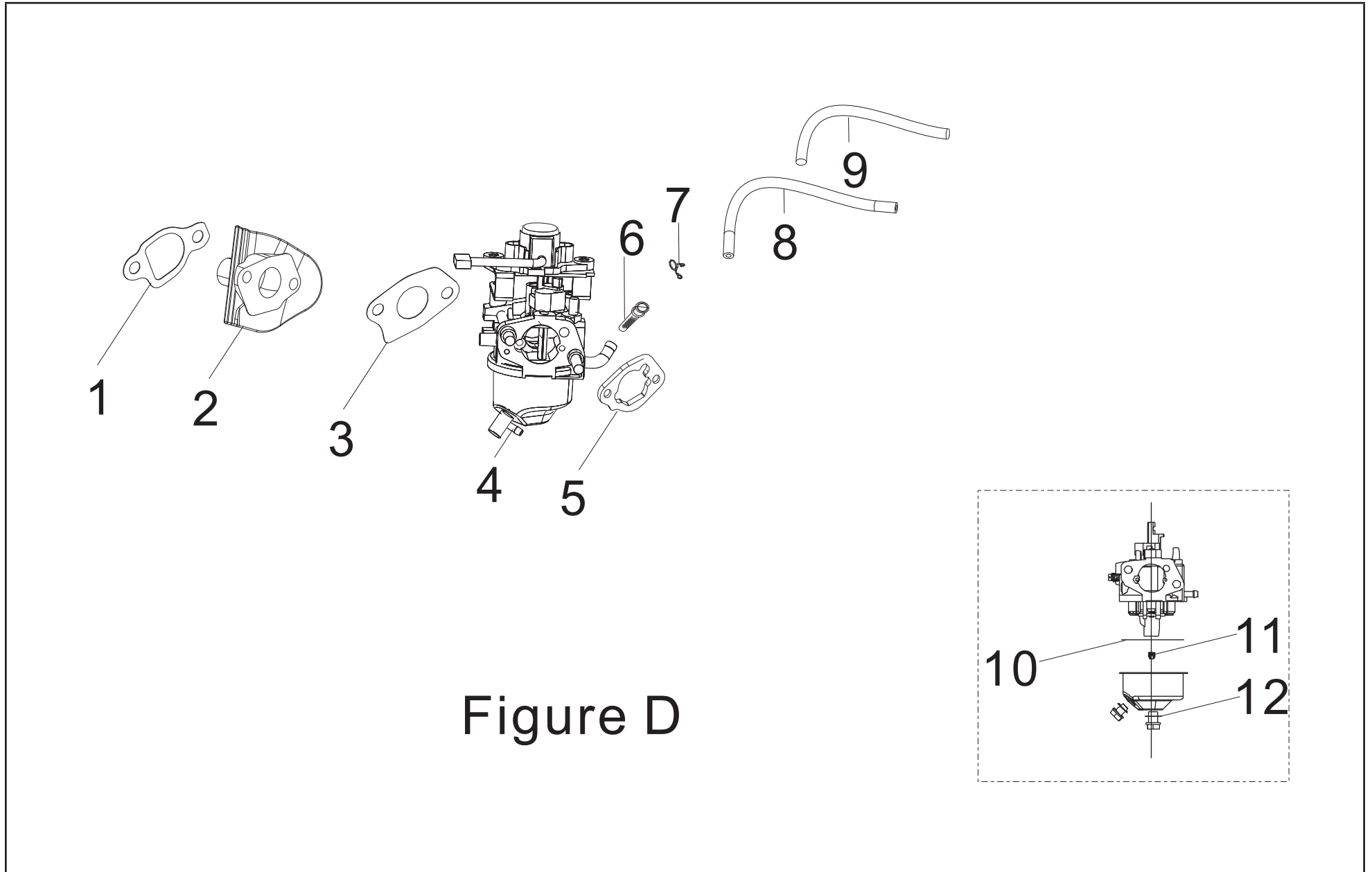


Figure C

CYLINDER HEAD PART LIST

#	Part Number	Description	Qty.
1	14310-Z950110-0000	Rocker Arm	2
2	14318-Z950110-0000	Rocker Shaft	2
3	12419-Z950310-00A0	Pin Plate, Cylinder Head Cover	1
4	12109-Z810110-00A0	Valve Lock Clamp	4
5	12112-Z810210-00A0	Retainer, Valve Spring	2
6	12103-Z010110-00A0	Valve Spring	2
7	12101-Z810210-00A0	Seal, Inlet Valve	1
8	12140-Z950310-00A0	Cylinder Head Subassembly	1
9	90001-0612-01A0	Hexagon Flange Bolt, M6 x 12, White Zinc	1
10	90203-Z010110-0000	Stud, M8 x 34, Black Zinc	2
11	12131-Z950210-0000	Cylinder Head Gasket	1
12	12121-Z950110-00A0	Exhaust Valve	1
13	12111-Z950110-00A0	Inlet Valve	1
14	90207-Z330210-0000	Stud, M6 x 105, Black Zinc	2

CARBURETOR DIAGRAM



CARBURETOR PART LIST

#	Part Number	Description	Qty.
1	16002-Z950110-0000	Carburetor Insulator Gasket	1
2	16003-Z1D0110-0000	Carburetor Insulator Plate	1
3	16001-Z010110-0000	Carburetor Gasket	1
4	16100-Z1D0410-00A0	Carburetor Assembly	1
5	17001-Z1D0110-0000	Air Cleaner Gasket	1
6	16652-Z800110-00A0	Fuel Filter	1
7	90685-D090-0EA0	Clamp, Ø9 x Ø0.8 x 8	1
8	90686-YBW0310-00M0	Fuel Tube, Ø4.5 x Ø8.5 x 260	1
9	30431-YBW0210-0000	Rubber Sleeve	1
10	16112-Z010110-0000	Seal Ring, Float	1
11	16161-Z090510-00A0	Main Jet (H128×0.68)	1
	16161-Z090410-00A0	Main Jet (H128×0.71), Altitude 3000-6000 Feet	/
	16161-Z140310-00A0	Main Jet (H128×0.74), Altitude 6000-8000 Feet	/
12	90681-Z010610-0000	Seal Ring	1

FRAME ASSEMBLY DIAGRAM

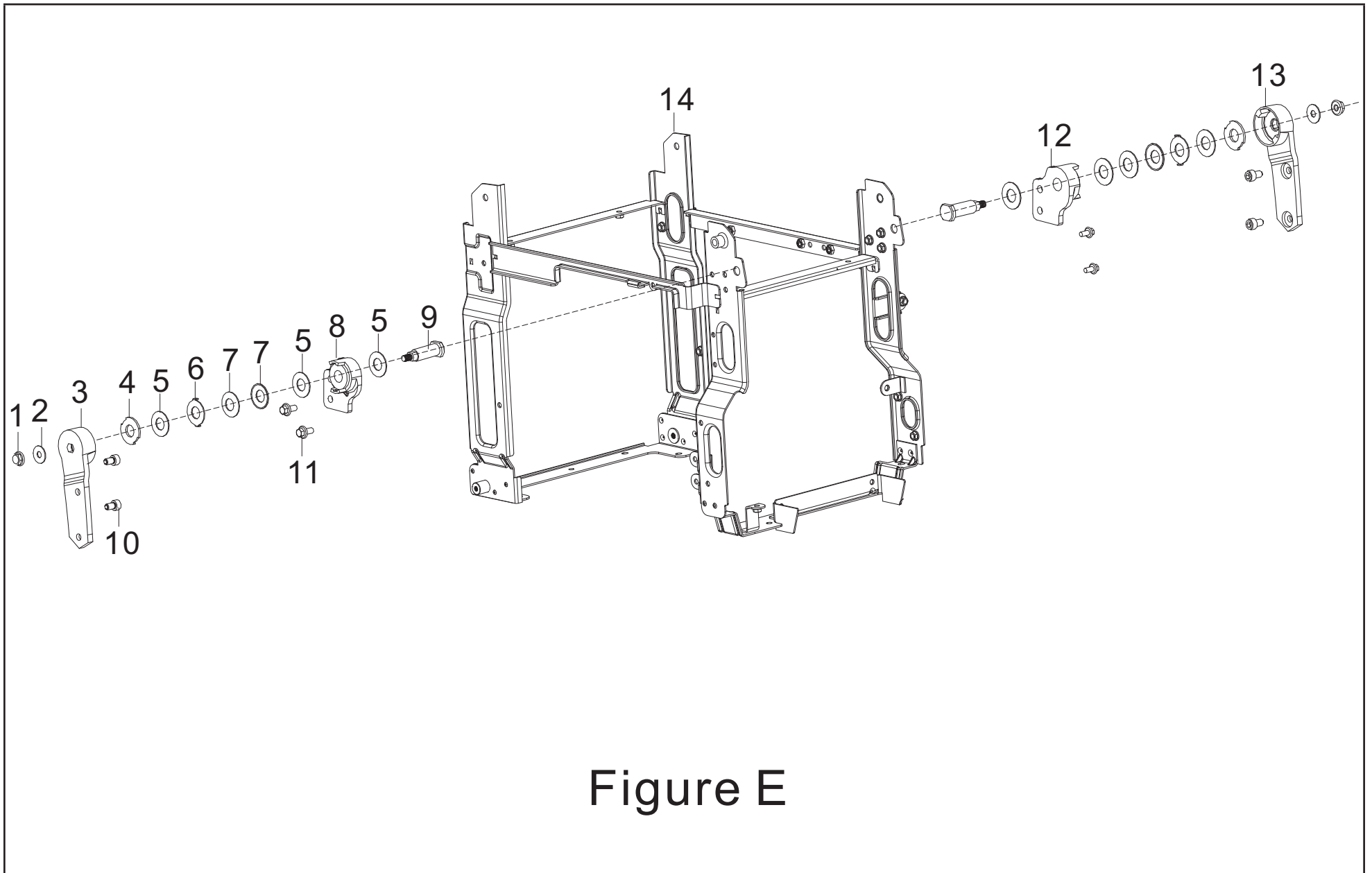


Figure E

FRAME ASSEMBLY PART LIST

#	Part Number	Description	Qty.
1	90341-Y2D0210-00A0	Nylon Nut, M6, White Zinc	2
2	90408-Y840210-00A0	Flat Washer, Ø18 x 6.5 x 1.5, White Zinc	2
3	54122-YBW0110-H700	Left Seat 2, Handle Tube Connecting	1
4	90412-YBW0110-Q200	Flat Washer, Ø12.2 x 27 x 2	2
5	90412-YBW0210-01A0	Flat Washer, Ø13 x 25 x 1, White Zinc	6
6	94101-YBW0110-01A0	Position Block, Ø12.2 x 25 x 1, White Zinc	2
7	90419-YBW0110-0300	Washer, Butterfly, Ø12.2 x 25 x 1x 2, Black Zinc	4
8	54113-YBW0120-00A0	Left Seat 1, Handle Tube Connecting	1
9	26231-YBW0110-00A0	Shaft, Fixed Axis, Black Zinc	2
10	90001-0610-03A0	Hexagon Flange Bolt, M6 x 10, Black Zinc	4
11	90001-0616-01A1	Hexagon Flange Bolt, M6 x 16, White Zinc	4
12	54113-YBW0220-00A0	Right Seat 1, Handle Tube Connecting	1
13	54122-YBW0210-H700	Right Seat 2, Handle Tube Connecting	1
14	51100-YH30211-H7A0	Frame Assembly	1

FUEL TANK DIAGRAM

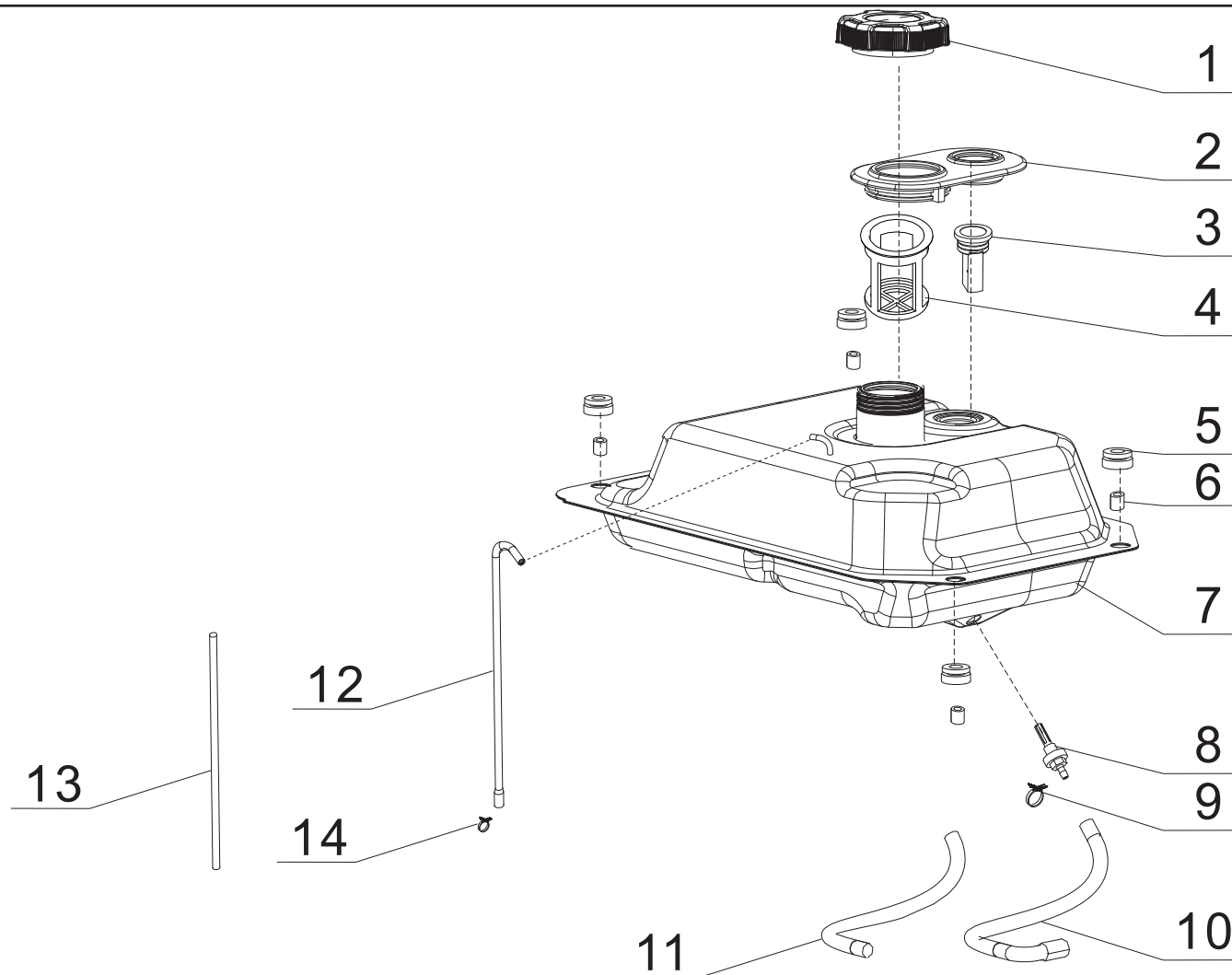


Figure F

FUEL TANK PART LIST

#	Part Number	Description	Qty.
1	16730-YH30110-Q2A0	Fuel Tank Cap	1
2	16641-YBW0110-0001	Rubber Sleeve, Filling Fuel Hole	1
3	37200-Y5V0110-00A1	Fuel Gauge	1
4	16652-Y9T0110-00A1	Fuel Filter	1
5	16601-Y020120-0001	Vibration Mount, Fuel Tank	4
6	90683-Y020110-0000	Bushing, White Zinc	4
7	16620-YBW0110-H7A1	Fuel Tank, 8.5L	1
8	16680-Y2P0110-00A1	Fitting, Fuel Tank	1
9	90685-D095-0EA0	Clamp, Ø9.5 x 0.8 x 8	1
10	90686-YBW0210-00M1	Fuel Tube, Carburetor, Ø4.5 x Ø8.5 x 130	1
11	30431-Y020110-0001	Rubber Sleeve, Fuel Tube	1
12	16804-YG80110-0001	Tube, Air Cleaner, Ø4.5 x Ø8.5 x 357.5	1
13	30431-YBW0210-0001	Rubber Sleeve, Fuel Tube, Ø10 x Ø11 x 180	1
14	90685-D105-0EA0	Clamp, Ø10.5 x 0.8 x 8	1

OUTLET PANEL DIAGRAM

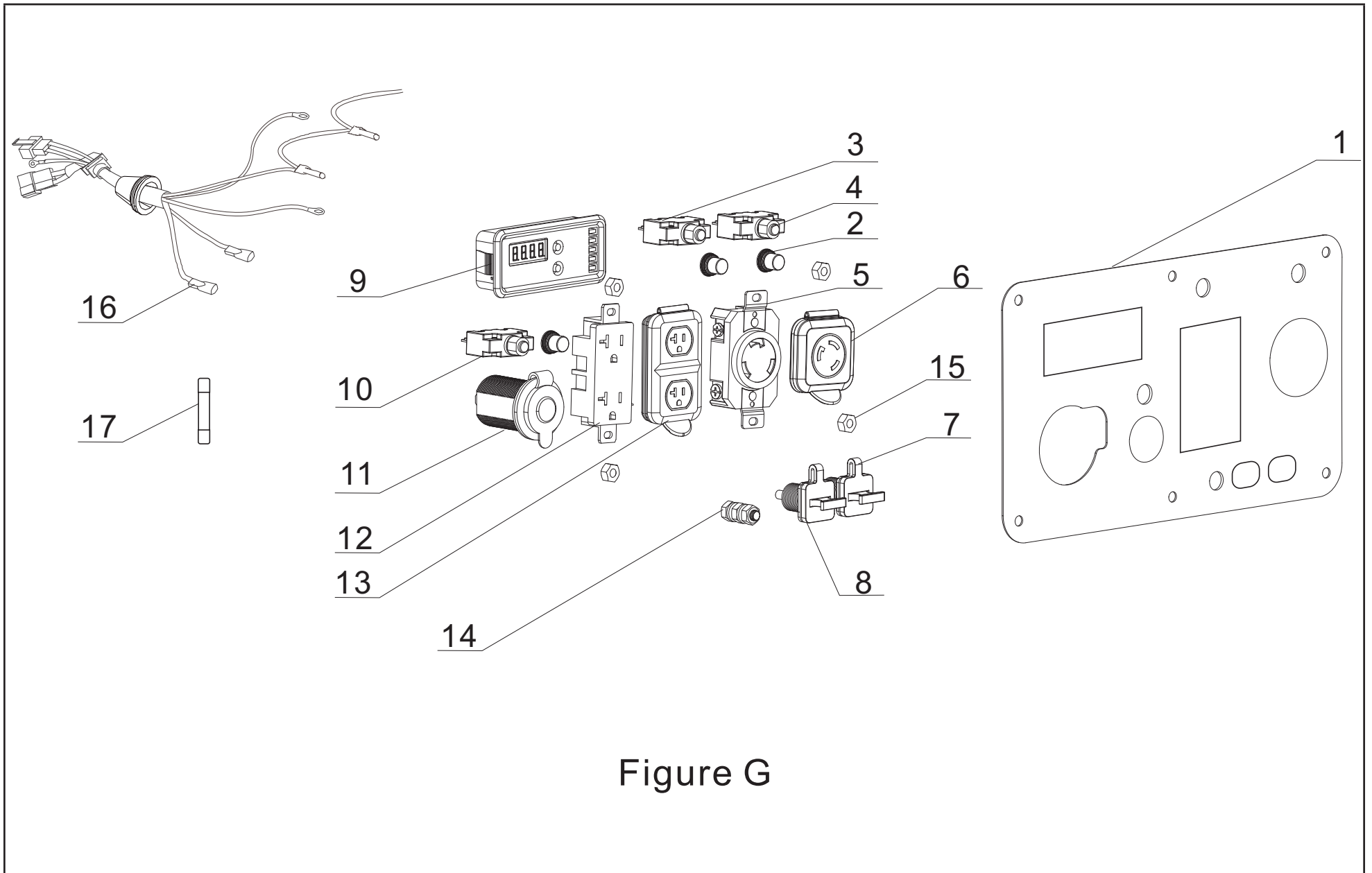


Figure G

OUTLET PANEL PART LIST

#	Part Number	Description	Qty.
1	35650-YHV0410-0000	Control Panel	1
2	35654-YGK0110-0000	Circuit Breaker Cover, Push Button	3
3	31234-YBE0210-0000	20Amp Circuit Breaker, Push Button, 125/250V	1
4	31234-YGK0110-0000	30Amp Circuit Breaker, Push Button, 125/250V	1
5	35614-Y1J0210-0000	L5-30R Receptacle, 30A, 125V	1
6	35654-YGK0210-0000	Receptacle Cover	1
7	35614-YH30210-0000	Parallel Outlet Socket, Black	1
8	35614-YH30110-0000	Parallel Outlet Socket, Red	1
9	35632-YHV0110-0000	Multifunctional Display, INT5AINV	1
10	31234-YBE0110-0000	8Amp Circuit Breaker, Push Button, 125/250V	1
11	35619-Y110110-0000	Automotive Receptacle, 12V DC	1
12	35614-Y730110-0000	5-20R Receptacle, 20A, 125V	1
13	35654-YBE0110-0000	Receptacle Cover, 5-20R	1
14	35629-Y090110-0000	Grounding Terminal	1
15	90305-0400-71A0	Hexagon Flange Nut, M4, White Zinc	4
16	35660HYHV0410-0000	Wire Harness, Control Panel	1
17	90721-YH30110-0000	Fuse, 15A	1

WHEEL KIT DIAGRAM

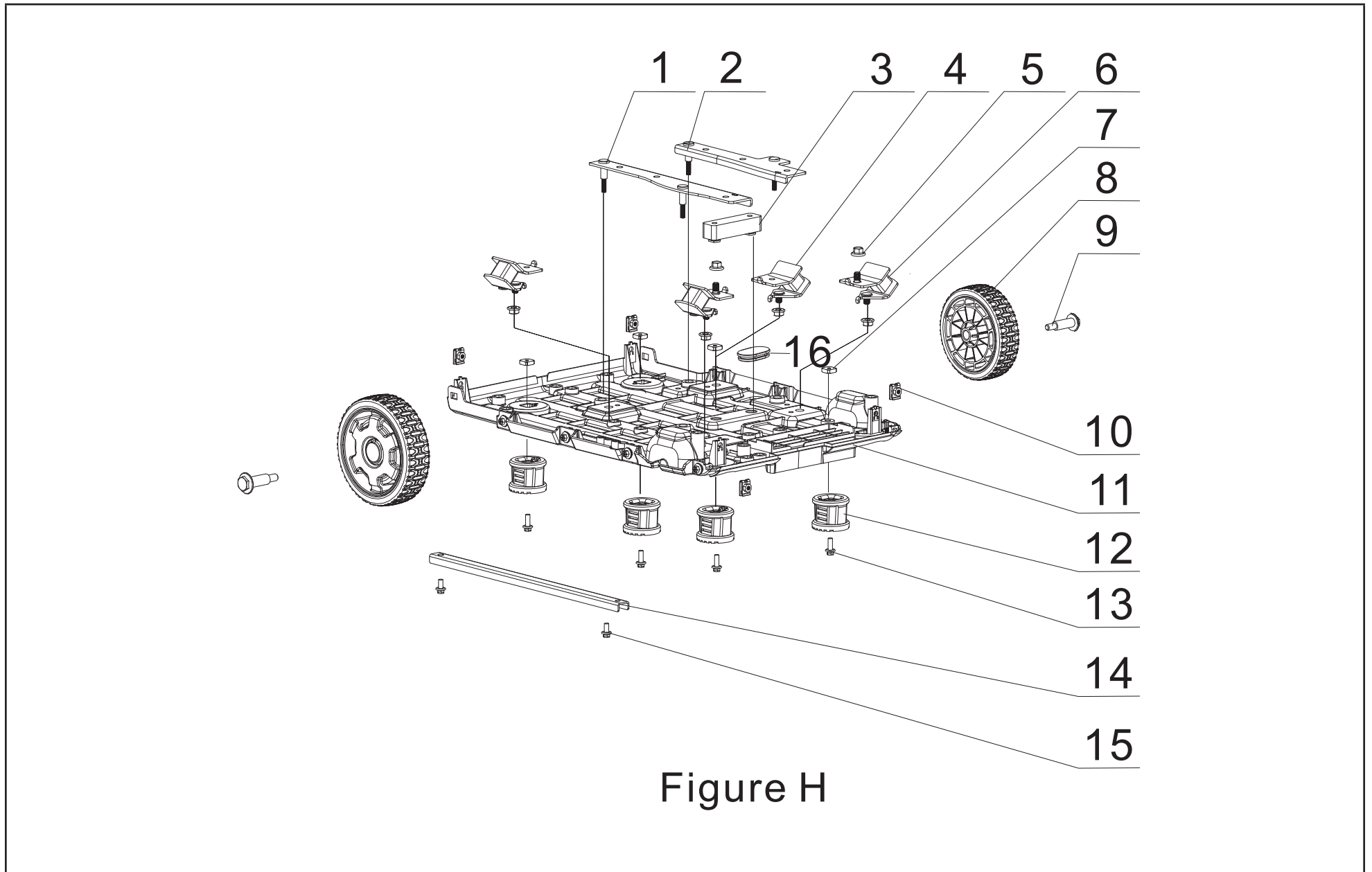


Figure H

WHEEL KIT PART LIST

#	Part Number	Description	Qty.
1	51188HYBW0110-QCA0	Left Support, Engine	1
2	51189HYBW0110-QCA0	Right Support, Engine	1
3	50035-YBW0110-0001	Bracket, Cushion Rubber	1
4	51011HY2P0210-0000	Vibration Mount, Right, Frame	2
5	90305-0800-31A0	Hexagon Flange Nut, M8, White Zinc	6
6	51009HY2P0110-0000	Vibration Mount, Left, Frame	2
7	90326-Y2V0110-00A0	Square Nut, M6, White Zinc	4
8	44110HYH30110-L401	5in. Wheel, Yellow	2
9	42002-YH30110-0300	Roll Pin, M8×15, Black Zinc	2
10	17199-YB00110-00A0	Clip Nut, M5, White Zinc	4
11	51143HYBW0110-Q201	Plate, Bottom	1
12	51014HYBW0110-0001	Vibration Mount, Reinforcing Plate	4
13	90001-0616-01A1	Hexagon Flange Bolt, M6 x 16, White Zinc	4
14	51103-YBW0110-H701	Reinforcing Plate, Black Zinc	1
15	90001-0612-01A1	Hexagon Flange Bolt, M6 x 12, White Zinc	2
16	90722-Y2P0110-0001	Plug, End	1

WIRING DIAGRAM

