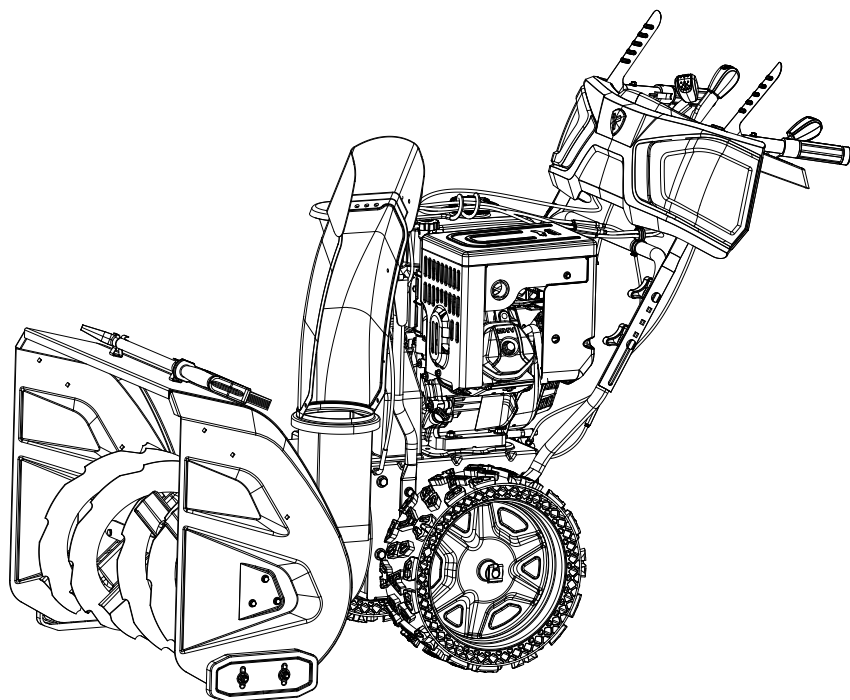




YARDWORKS^{®/MD}

MODEL #060-4012-4



PARTS INFORMATION

SNOWBLOWER

SERIAL NUMBER RANGE: ALL



To order replacement parts please call:
1-866-523-5218.

TABLE OF CONTENTS

Snowblower Parts Diagram	3
Snowblower Parts List	4
Engine Parts Diagram	5
Engine Parts Part List	6
Engine Detail Diagram	7
Engine Detail Part List	8
Drivetrain Diagram	10
Drivetrain Part List	11
Auger Part Diagram	12
Auger Part List	13
Chute Diagram	14
Chute Part List	15
Handle Assembly Diagram	16
Handle Assembly Part List	17
Wiring Diagram	18

SNOWBLOWER PARTS DIAGRAM

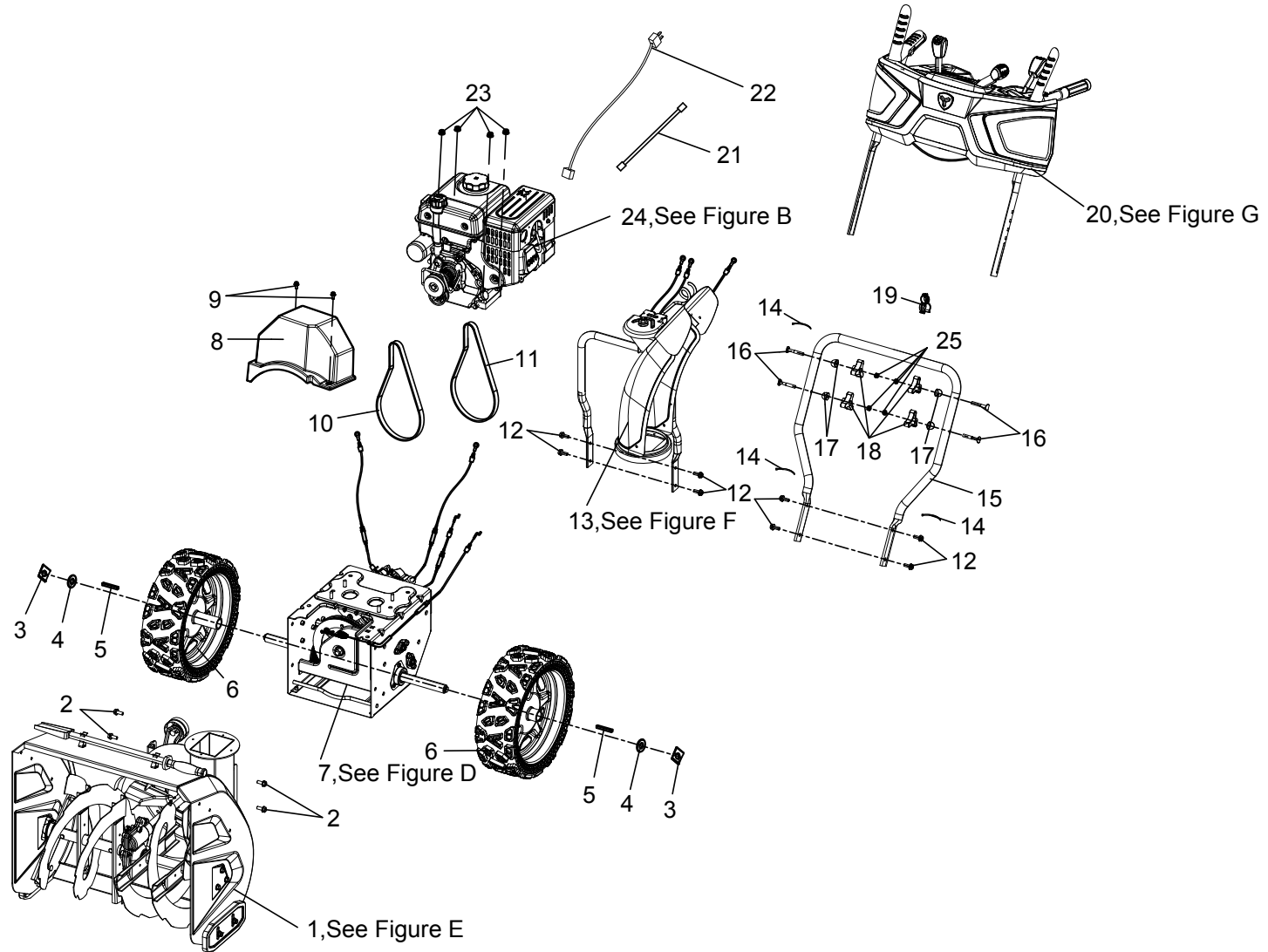


Figure A

SNOWBLOWER PARTS LIST

#	Part Number	Description	Qty.
1	Figure E	Auger Assembly	1
2	30133020025000	Flange Triangle Self-Tapping Screw, M10 × 18, White Zinc	4
3	23012000105000A	Quick Clip , T=1 mm, Black	2
4	2301300006A	Wheel Shaft Washer, T=2, 16.2 × 36, White Zinc	2
5	31013020015000	Thin Flat Key, B4 × 6 × 32, 45#, Black	2
6	2301600009B	Wheel Assembly, 15 × 5, Airless,Rubber	2
7	Figure D	Drivetrain Assembly	1
8	23041000020001A	Belt Protection Cover,HDPE, Black	1
9	23033000485000A	Flange Triangle Self-Tapping Screw, M6 × 16, White Zinc	2
10	23036000045000	Auger Belt Gates, 5LXA985E	1
11	2303600005A	Drive Belt Megadyne HTD 880-5M15	1
12	30133020035000	Flange Triangle Self-Tapping Screw, M8 × 16, White Zinc	8
13	Figure F	Chute Assembly	1
14	2309900012	Nylon Cable Tie, 2.5 × 200	3
15	23062000780265B	Lower Handle, Black	1
16	30913090085000	Half-Round Head Square Neck Bolt, M8 × 50, Blue White Zinc	4
17	21061000110301A	Curved Washer	4
18	21061000400301A	Rotating Knob, Black	4
19	23061000490301A	Cord Clamp, Black	1
20	Figure G	Handle Assembly	1
21	23089000025000A	Power Outlet Wire	1
22	23089000035000A	AC Start Line, 1830 mm	1
23	30323060045000	Flange Locking Nut, M10, Hexagon, Blue White Zinc	4
24	Figure B	Engine Assembly	1
25	30313060025000	Hexagon Nut, M8, Blue White Zinc	4

ENGINE PARTS DIAGRAM

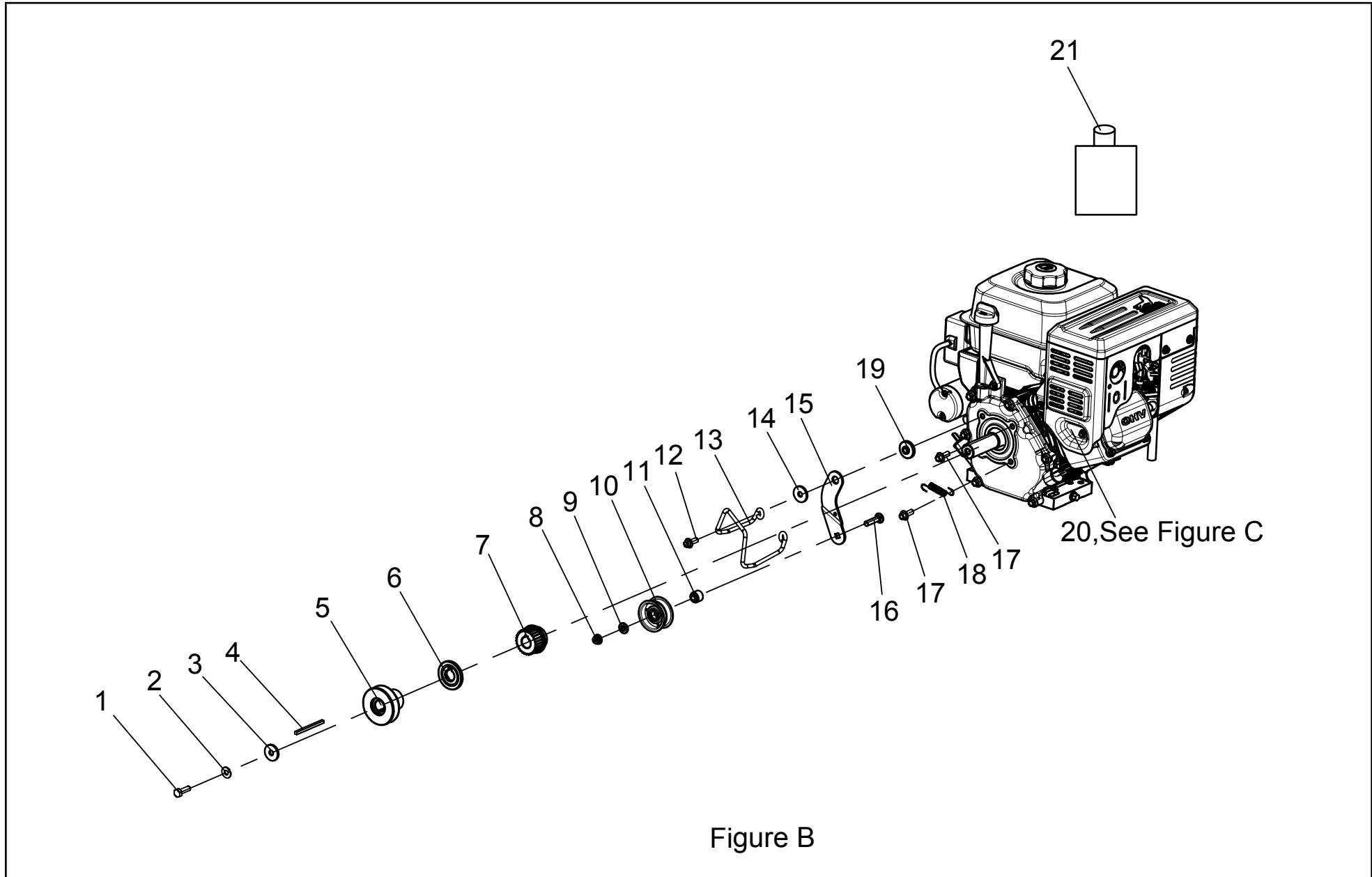
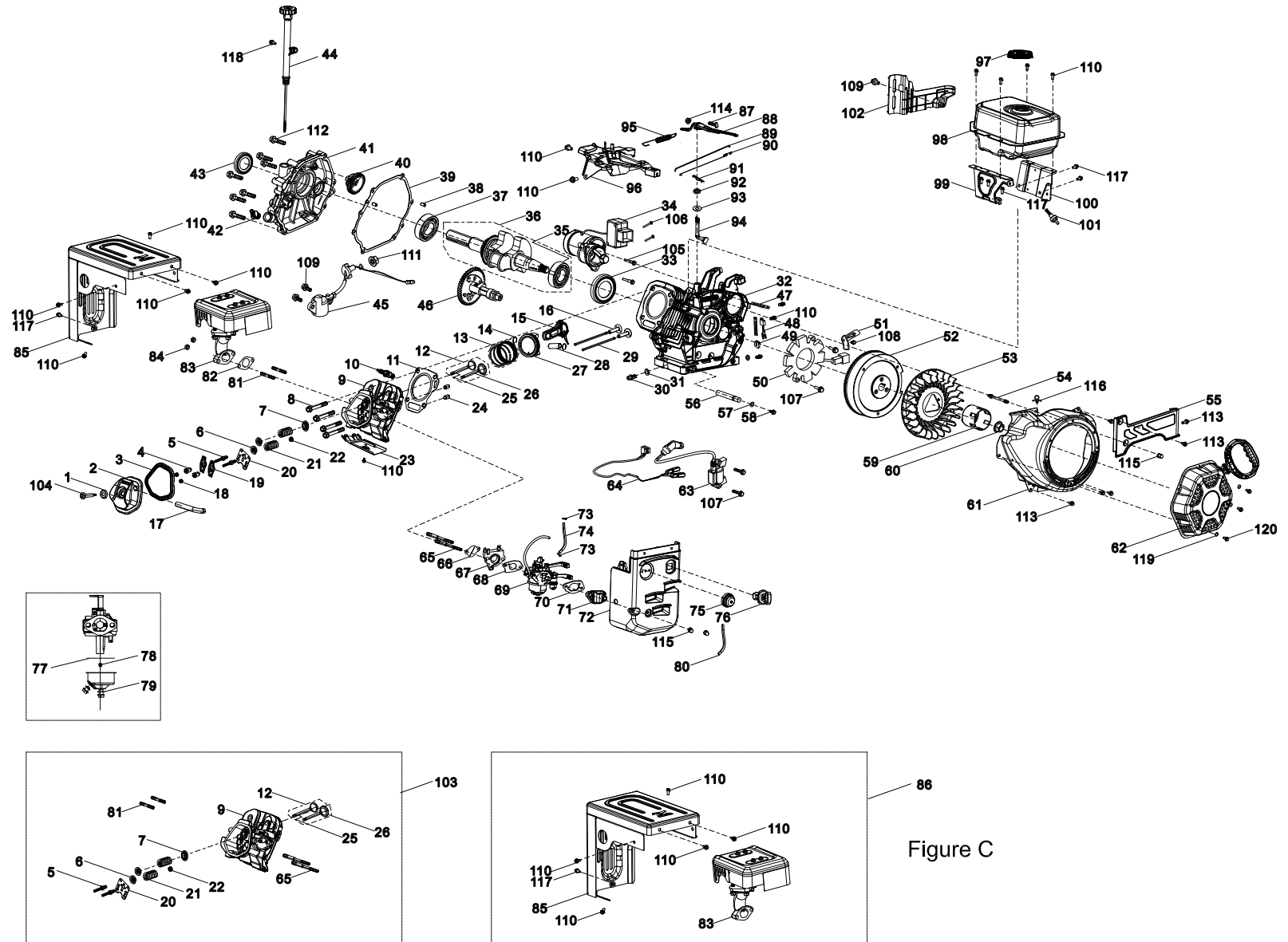


Figure B

ENGINE PARTS PART LIST

#	Part Number	Description	Qty.
1	30913040085000	Hexagon Bolt, M8 × 35, Blue White Zinc	1
2	3052301002	Spring Washer, 8, 65Mn,Black Zinc	1
3	23032000335000A	Thickened Big Washer, Ø8.2 × Ø30 × 3.7, White Zinc	1
4	31013010075000	Flat Key, B7 × 7 × 60, Black	1
5	2303400006A	Small Belt Pulley, Black	1
6	2303400005A	Small Synchronous Pulley Side Plate	1
7	2303400004A	Small Synchronous Pulley	1
8	30323060035000	Flange Locking Nut, M8, Hexagon, Blue White Zinc	1
9	23034000565000A	Shaft Sheath (Thin), Small Tension Pulley, 18 × 6	1
10	23034000665000A	Small Tension Pulley , Ø55 × 22.6	1
11	2303400003A	Shaft Sheath , Small Tension Pulley	1
12	23093000205000A	Hexagon Bolt, 30 mm, 5/16" (24UNF-2A), White Zinc	1
13	23033000075008B	Belt Lever, Ø6	1
14	30512050025000	Big Washer, Ø8, Blue White Zinc	1
15	23032001175000A	Small Tensioning Plate, T=3, 108.5 × 46.7	1
16	3091309007	Half-Round Head Square Neck Bolt,M8 x 45,White Zinc	1
17	23093000175000A	Hexagon Flange Bolt, 20 mm, 5/16" (24UNF-2A), Black Zinc	2
18	2309800001A	Small Tension Pulley Spring, Ø1.5 × Ø11.5 × 56.5, White Zinc	1
19	23034000595000A	Small Tensioning Plate Cushion, 308 × 8	1
20	2030100350A	Engine R300S, 301CC	1
21	2309900016	Engine Oil	1

ENGINE DETAIL DIAGRAM



ENGINE DETAIL PART LIST

#	Part Number	Description	Qty.
1	12034-Z080110-0091	Cylinder Head Cover Gasket Subassembly, Blue White Zinc	1
2	12410-Z310110-01A0	Cylinder Head Cover Subassembly, Blue White Zinc	1
3	12004-Z090110-0001	Cylinder Head Cover Gasket	1
4	14314-Z010110-0000	Valve Adjusting Nut	2
5	14313-Z010110-0000	Valve Adjusting Bolt	2
6	12112-Z080110-0000	Valve Spring Retainer	2
7	12105-Z080110-0000	Valve Spring Seat	1
8	12003-Z080110-0000	Cylinder Head Bolt, M10 × 80	4
9	12140-Z0S0311-0B00	Cylinder Head Subassembly	1
10	30010-Z010110-0000	Spark Plug, F6RTC	1
11	12131-Z0S0110-0000	Cylinder Head Gasket	1
12	12110-Z0S0110-0000	Valves Set	1
13	13200-Z730110-0099	Piston Rings Set	1
14	13122-Z100110-0000	Piston Pin Clip	2
15	13010-Z100120-00A0	Connecting Rod	1
16	14081-Z080110-0000	Valve Lifter	2
17	17004-Z520111-0001	Breather Tube, Ø10.4 × Ø15, NBR+CSM	1
18	14312-Z010110-0000	Valve Lock Nut	2
19	14311-Z080110-0000	Valve Rocker	2
20	14090-Z080110-0000	Lifter Stopper Plate Subassembly, Blue White Zinc	1
21	12103-Z080110-0000	Valve Spring	2
22	12101-Z080110-0000	Seal Guide	1
23	19304-Z110110-0001	Cylinder Body Shroud, Blue White Zinc	1
24	90502-1220-00	Pin, 12 × 20	2
25	12121-Z0S0110-0000	Exhaust Valve	1
26	12111-Z0S0110-0000	Inlet Valve	1
27	13111-Z0S0110-0000	Piston	1
28	13121-Z0S0110-0000	Piston Pin, Ø20 × 55	1
29	14070-Z100110-0000	Valve Rod	2

#	Part Number	Description	Qty.
30	11007-Z080110-0001	Drain Plug Bolt, M12 × 1.5 × 18, Blue White Zinc	2
31	90412-Z080110-00A0	Washer, Ø12 × Ø21 × 2	2
32	11310-Z0S0111-0B00	Crankcase Subassembly	1
33	90682-Z520310-0000	Oil Seal, Ø40 × Ø52 × 9	1
34	30300-Z520510-0001	Starting Motor Assembly	1
35	90547-6208-00A1	Bearing, 6208 P5C3	1
36	13300-Z0S0110-RB00	Crankshaft Assembly	1
37	90548-0207-00	Bearing, 6207 P6	1
38	90502-0812-00	Pin, 8 × 12	2
39	11001-Z100220-0000	Crankcase Gasket	1
40	16400-Z100110-0000	Governor Gear Assembly	1
41	11411-Z520210-0B00	Crankcase Cover	1
42	15030-Z080130-L401	Engine Oil Plug Subassembly, O-Type	1
43	90682-Z520210-0000	Oil Seal, Ø35 × Ø52 × 7	1
44	15010-Z520211-L401	Oil Dipstick Subassembly	1
45	37060-Z080120-0000	Engine oil Sensor, W/O Nut	1
46	14200-Z520210-0009	Camshaft Assembly	1
47	90684-Z030120-0001	Clip	2
48	37050-Z010210-0001	Oil Protector, Blue White Zinc	1
49	28101-Z080110-0001	Rubber Plug, Black	1
50	30140-Z520810-0000	Charging Coil	1
51	30001-Z090110-0000	Clamp, Charging Coil	1
52	13510-Z110110-0000	Flywheel Subassembly	1
53	19352-Z100120-00A0	Impeller	1
54	90204-Z520110-0001	Stud, M6 × 92.8	1
55	16614-Z520210-0001	Fuel Tank Shield	1
56	11011-Z1S0110-0001	Oil Drain Tube	1
57	90408-Z010510-0000	Washer, Ø10 × Ø15.8 × 1.5	1
58	11007-Z010110-0001	Drain Plug Bolt, M10 × 1.25 × 15, Blue White Zinc	1
59	28002-Z100210-0000	Starter Pulley, Blue White Zinc	1

#	Part Number	Description	Qty.
60	13501-Z080110-0000	Flywheel Nut, M16 × 1.5, Blue White Zinc	1
61	28110-Z110110-HL00	Shroud	1
62	28200-Z520210-HL00	Recoil Starter Assembly	1
63	30400-Z090210-0001	Ignition Coil	1
64	30423-Z520510-00A0	Ignition Coil Stop Engine Wire	1
65	90204-Z080320-0301	Stud, M6/8 × 127	2
66	17002-Z100110-0000	Inlet Gasket	1
67	16003-Z520110-0001	Carburetor Insulator Plate	1
68	16001-Z520110-0000	Carburetor Gasket	1
69	16100-Z0S0210-R9A1	Carburetor Assembly	1
70	17001-Z520210-0000	Air Cleaner Gasket	1
71	16116-Z520210-0001	Oil Cup	1
72	35610-Z520510-0001	Control Panel Subassembly	1
73	90740-Z010210-0001	Clamp, Ø7.5, Blue White Zinc	2
74	90686-Z010110-0001	Fuel Pipe, Ø4.5 × Ø8.5 × 200	1
75	16210-Z330310-0001	Primer Bulb	1
76	35540-Z1A0110-0000	Stop Engine Switch Subassembly	1
77	90681-Z010610-0000	Seal Ring	1
78	16161-Z151710-0000	Main Jet, Standard	1
	16161-Z151510-0000	Main Jet, Altitude 3000-6000 Feet	
	16161-Z151910-0000	Main Jet, Altitude 6000-8000 Feet	
79	16112-Z080110-0000	Seal Ring	1
80	16214-Z550110-0000	Tube Jacket, Primer Bulb	1
81	90204-Z100320-0301	Stud, M8 × 54, Black Zinc	2
82	18001-Z080310-00A0	Exhaust Outlet Gasket	1
83	18100-Z520210-H300	Muffler Assembly	1
84	90332-Z1F0110-0100	Lock Nut, M8, Blue White Zinc	2
85	18140-Z520511-HL00	Scald Resistant Cover	1
86	CMP-XSQ-006	Muffler Assembly Kit	1
87	16072-Z010110-0001	Governor Support Bolt, M6 × 21, Blue White Zinc	1
88	16070-Z100120-0001	Governor Support Subassembly, Blue White Zinc	1
89	16062-Z100110-0001	Governor Rod, Blue White Zinc	1

#	Part Number	Description	Qty.
90	16012-Z080110-0000	Throttle Valve Returning Spring	1
91	90501-Z010110-0001	Pin, Blue White Zinc	1
92	90682-Z100210-0001	Oil Seal, Ø8 × Ø14 × 4	1
93	90412-Z080210-0000	Washer, Ø8.4 × Ø19.5 × 0.8	1
94	16061-Z100110-0000	Governor Arm	1
95	16063-Z4R0110-0101	Spring, Governor, Blue White Zinc	1
96	16520-Z520210-0102	Throttle Control Assembly	1
97	16730-Z1S0110-Q201	Fuel Tank Cover	1
98	16620-Z520310-HLA0	Fuel Tank	1
99	16612HZ520130-0100	Fuel Tank Mounting Frame	1
100	16618HZ520111-H300	Fuel Tank Rear Mounting Frame	1
101	16680-Z010110-0001	Fuel Tank Oil Outlet Subassembly	1
102	16617-Z520120-0001	Fuel Tank Shield 2	1
103	CMP-QGT-004	Cylinder Head Assembly Kit	1
104	12032-Z080110-0101	Cylinder Head Cover Bolt, Blue White Zinc	1
105	90001-0835-01	Hexagon Flange Bolt, M8 x 35, Blue White Zinc	2
106	90103-0455-5301	Screw, M4 × 55, Black Zinc	2
107	90001-0628-01	Hexagon Flange Bolt, M6 × 28, Blue White Zinc	4
108	90001-0610-01	Hexagon Flange Bolt, M6 × 10, Blue White Zinc	1
109	90001-0616-0109	Hexagon Flange Bolt, M6 × 16, Blue White Zinc	3
110	90001-0612-0101	Hexagon Flange Bolt, M6 × 12, Blue White Zinc	14
111	90305-Z010210-0101	Hexagon Flange Nut, M10, Blue White Zinc	1
112	90001-0840-0101	Hexagon Flange Bolt, M8 × 40, Blue White Zinc	7
113	90007-0612-A102	Hexagon Flange Bolt, M6 × 12, Blue White Zinc	6
114	90305-0600-3101	Hexagon Flange Nut, M6, Blue White Zinc	1
115	90314-Z130210-0501	Nut, M6 × 17, Chrome Plated	3
116	90684-Z080110-0001	Clip	1
117	90001-0820-0102	Hexagon Flange Bolt, M8 × 20, Blue White Zinc	6
118	90001-0620-0101	Hexagon Flange Bolt, M6 × 20, Blue White Zinc	1
119	90408-0600-E1	Washer	3
120	90001-0608-01	Hexagon Flange Bolt, M6 × 8, Blue White Zinc	3

DRIVETRAIN DIAGRAM

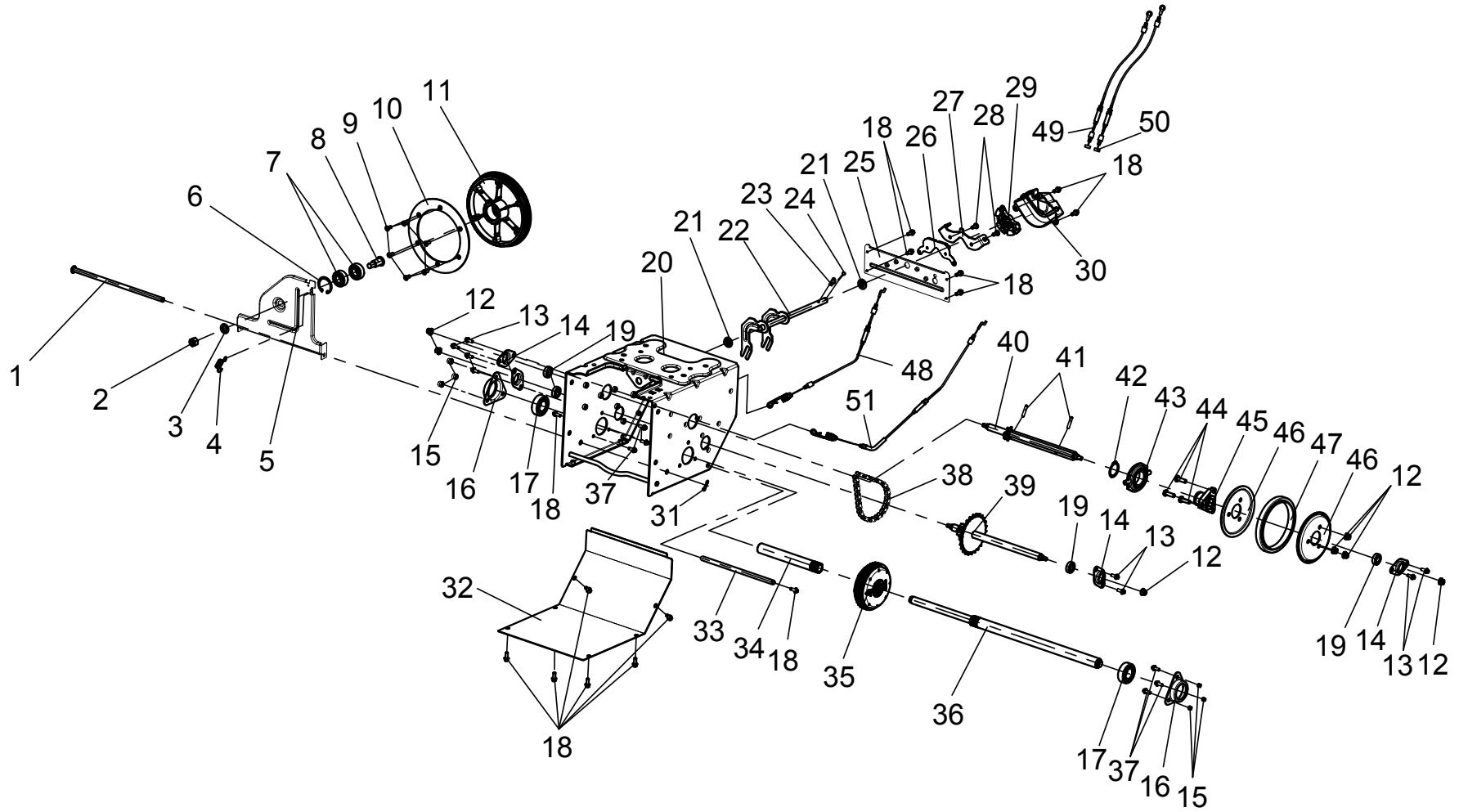


Figure D

DRIVETRAIN PART LIST

#	Part Number	Description	Qty.
1	23033000385000A	Housing Connecting Shaft 2, 10 × 320, Black	1
2	30313090015000	Hexagon Locking Nut, M12, White Zinc	1
3	30512040015000	Flat Washer, 12, d14 × D24 × t 2.6, Blue White Zinc	1
4	23038000125000C	Extension Spring, Ø8.5 × 44.9, 65Mn	1
5	23035000395000A	Friction Disc Bracket, T=2.5, 279 × 220.5, Black	1
6	30413010015000	Elastic Circlips, 40, 65Mn,Black	1
7	30613010075000	Bearing, 6203RS	2
8	23033000395000A	Large Synchronous Pulley Shaft, M12 × 44.2, Black	1
9	30213010015000	Cross Recessed Countersunk Head Screw, M5 × 12, Blue White Zinc	6
10	23032000795000A	Large Synchronous Pulley Side Plate, 197 × 8	1
11	23034000505000A	Large Synchronous Pulley, 197 × 21	1
12	30323060035000	Flange Locking Nut, M8, Hexagon, Blue White Zinc	7
13	30133020035000	Flange Triangle Self-Tapping Screw, M8 × 16, White Zinc	8
14	23052000205000A	Bearing Support, T=1.5	4
15	30313090035000	Hexagon Locking Nut, M6, Blue White Zinc	6
16	23052000105000A	Pressing Plate, Bearing, T=1.5 mm	2
17	A26800409101	Bearing, Ø25.4 × Ø52 × 15	2
18	23033000485000A	Flange Triangle Self-Tapping Screw, M6 × 16, White Zinc	14
19	3061301012	Bearing, Ø12 × Ø28 × 7	4
20	23032001440027B	Housing Assembly	1
21	23031000210001A	Shift Fork Rod Bushing,PA6+GF30	2
22	23032000655000A	Gear Shift Fork Assembly, 267.5 × 134, Black Zinc	1
23	23093000055000A	R Type Plug Pin, 2 × 26.2 × 7.9, White Zinc	1
24	30813010025000	Open Pin, 2 × 20,White Zinc	1
25	23032000590027A	Housing Fixed Plate, 282 × 85	1
26	23041000040001A	Waterproof Sheet, PA6+GF30, Black	1
27	23032000615000B	Speed Adjustment Cable Support, T=3, 146.4 × 45.5	1

#	Part Number	Description	Qty.
28	A26800307801	Self-Tapping Locking Screw, Trigonodont, M6 × 12, Blue White Zinc	2
29	23061000470001A	Shift Fork Steering Unit, PA6+GF30	1
30	23041000030001A	Shift Fork Cover, HDPE	1
31	22698000065000A	B Pin, White Zinc	1
32	23032000510027A	Big Bottom Plate, 6 × 280 × 188	1
33	23063000455000A	Gear Box Locking Lever, 10 × 280, Zinc,Blue White	1
34	2306200104A	Wheel Shaft Bushing Assembly, 180 × 25	1
35	23013000105000A	GT Differential Mechanism	1
36	2301300007A	Wheel Shaft, 591.4 × 17	1
37	30913050015000	Hexagon Flange Bolt, M6 × 12, Blue White Zinc	6
38	31119010015000	Chain, 085-1-32	1
39	23065000015000B	Sprocket Shaft Welded Assembly, 323 × 106	1
40	23033000365000B	Wheeled Six Party Shaft, 19 × 323, 40Cr, Black	1
41	30823040015000	Elastic Column Pin, 3 × 30, Black	2
42	30423010065000	Shaft Elastic Circlip , Ø35, Black	1
43	2303200062A	Shifting Fork Riveting, 101 × 75 × 17	1
44	A26800600601	Hexagon Bolt, M8 × 22, Black Zinc	3
45	23032000965000B	Wheeled Six Party Sleeve, 35 × 42	1
46	23032000665000A	Friction Wheel Clamp, T=2, 136.5 × 10.2, White Zinc	2
47	23036000225000A	Friction Wheel Rubber Ring, 147 × 17.2	1
48	23068000315000A	Driving Cable	1
49	2306800008B	Speed Adjustment Cable	1
50	2306800033A	Speed Adjustment Cable	1
51	23068000305000A	Auger Cable	1

AUGER PART DIAGRAM

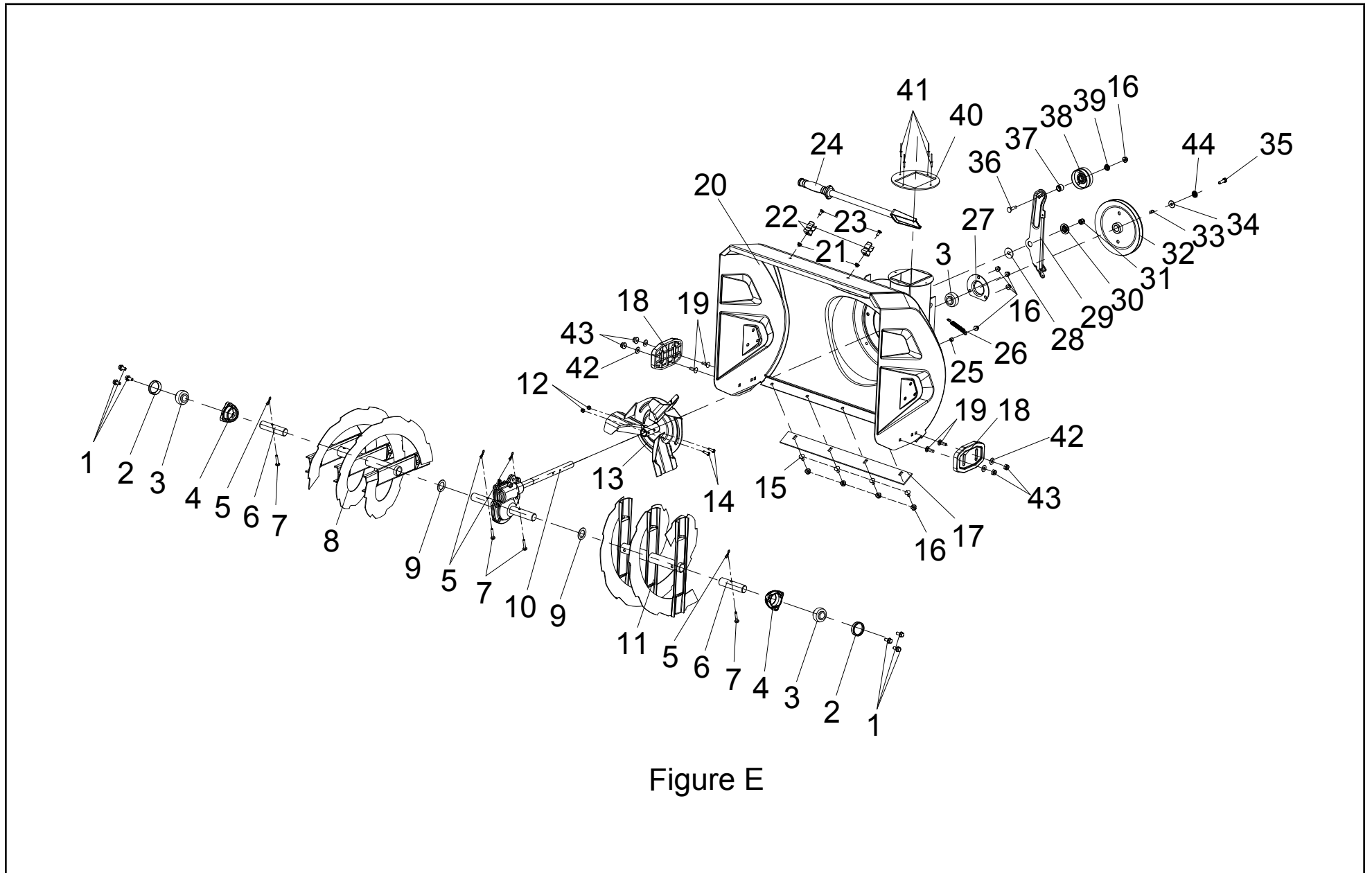


Figure E

AUGER PART LIST

#	Part Number	Description	Qty.
1	30913070185000	Hexagon Flange Bolt, M8 × 20, Blue White Zinc	6
2	2309100006A	Spherical Bearing Sheath	2
3	30693010055000	Outer Spherical Ball Bearing, 47 × 20 × 31	3
4	2309400003A	Spherical Bearing Support	2
5	23093000195000B	B Pin, White Zinc	4
6	23053000245000A	Auger Connecting Shaft, 100 × 25.4, Black	2
7	23053000055000A	Shear Pin, Ø8 × 42.5, Blue White Zinc	4
8	23055000240243A	Right Auger Assembly, 27"	1
9	23052000215000A	Auger Shaft Washer, 25.6 × 40 × 2	2
10	2300200033	Worm Gear Box Assembly	1
11	23055000230243A	Left Auger Assembly, 27", 355 × 267 mm	1
12	30313030015000	Hexagon Locking Nut, M6, Black Zinc	2
13	23055000170243B	Fan Impeller Assembly, 35#	1
14	30223010055000	Hexagon Socket Head Cap Screw, M6 × 40, Black Zinc	2
15	30913090015000	Half-Round Head Square Neck Bolt, M8 × 16, Blue White Zinc	4
16	30323060035000	Flange Locking Nut, M8, Hexagon, Blue White Zinc	9
17	2303200142A	Snow Shovel Plate, 27", 675 × 50 × 4 mm	1
18	23041000150243A	Skid Shoes	2
19	30913090045000	Half-Round Head Square Neck Bolt, M8 × 25, Blue White Zinc	4
20	23035000300027A	Auger Housing Assembly, 27", 682.5 × 563 × 584.5 mm	1
21	30323060015000	Flange Locking Nut, M6, All Metal Hexagon, Blue White Zinc	2
22	23092000075000A	Chute Tool Bracket, THK=1.2, 39.2 × 30.4 × 13, White Zinc	2
23	30913090035000	Half-Round Head Square Neck Bolt, M6 × 16, Blue White Zinc	2
24	2304100024A	Chute Tool	1

#	Part Number	Description	Qty.
25	2303300002A	Bushing, Ø8 × Ø12 × 7, White Zinc	1
26	2303800001A	Tension Spring, Big Tension Pulley, White Zinc	1
27	23052000125000B	Pressing Plate, Bearing, THK=2, Ø95 × 8.5, White Zinc	1
28	23032000675000A	Bushing, 10.5 × 35 × 1, Large Tension Board, White Zinc	1
29	23032000635000A	Large Tension Board, 313.3 × 40, White Zinc	1
30	23034000535000A	Bushing, 35 × 6.1, Large Tension Board	1
31	A26800501201	Hexagon Locking Nut, M10, Blue White Zinc	1
32	23035000055000A	Big auger Pulley, 14 × 189.2 × 21.5, Black	1
33	31013010015000	Flat Key, C6 × 20, Black	1
34	23032000335000A	Thickened Big Washer, Ø8.2 × Ø30 × 3.7, White Zinc	1
35	30913040115000	Hexagon Bolt, M8 × 25, Blue White Zinc	1
36	30933010015000	Small Carriage Bolt, M8 × 40, Blue White Zinc	1
37	23034000555000A	Sheath, Large Tension Wheel	1
38	23032000105000C	Large Tension Pulley, Ø66.5 × 36.2, THK=1.5	1
39	23034000545000A	Sheath (Thin), Large Tension Wheel, 20 × 6.5	1
40	23071000230001A	Discharge Chute Antifriction Mat, PA6+GF30, Black	1
41	30733010025000	Self-Plugging Rivet, 4 × 15	4
42	30512050025000	Big Washer, 8, Blue White Zinc	4
43	3031309010	Hexagon Locking Nut, M8, White Zinc	4
44	3052301002	Spring Washer, 8, Black Zinc	1

CHUTE DIAGRAM

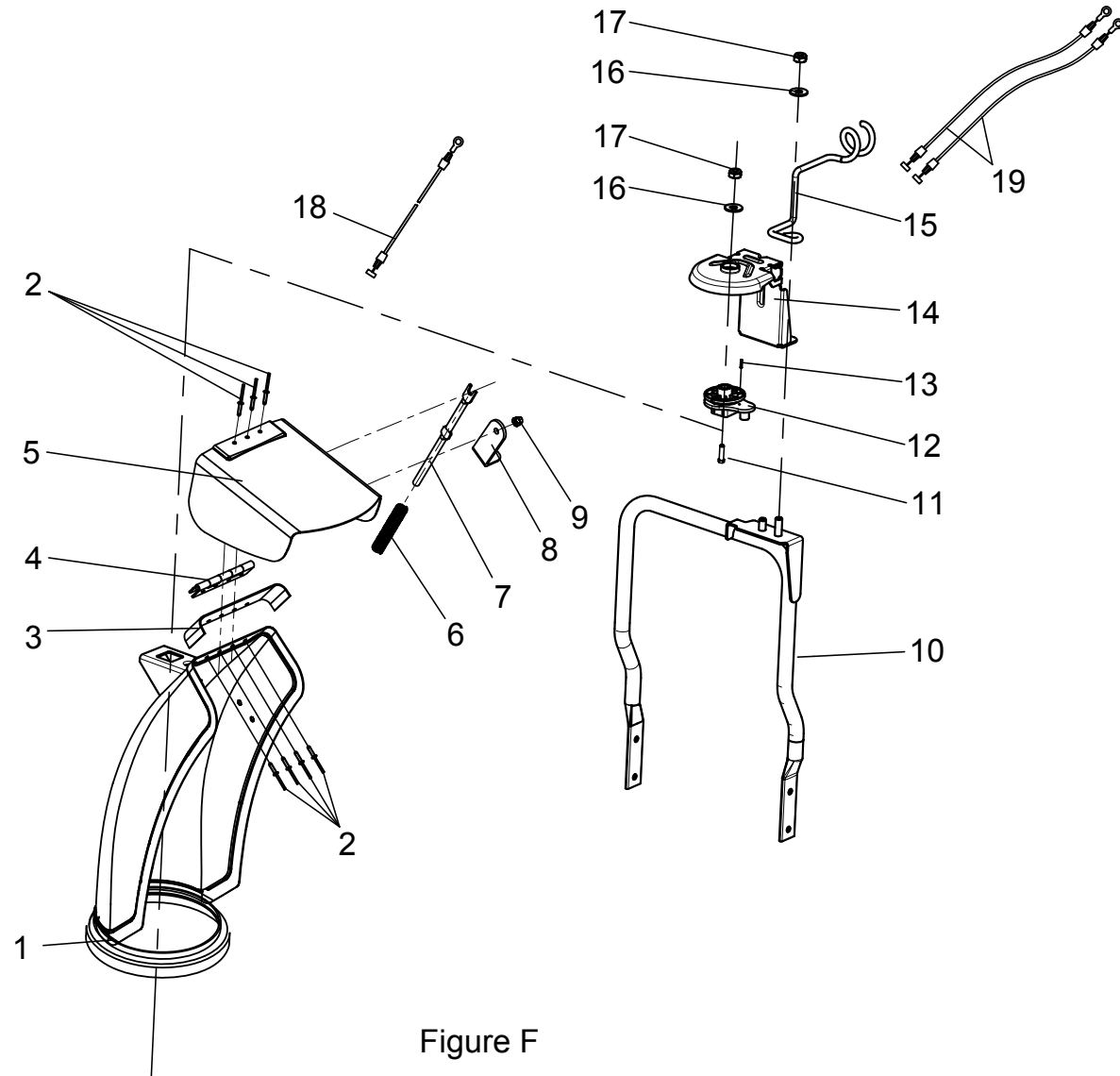


Figure F

CHUTE PART LIST

#	Part Number	Description	Qty.
1	23075000210027A	Chute Assembly, 453 × 167 × 137, Cool Gray	1
2	3073301003	Self-Plugging Rivet, 4 × 10	7
3	23076000105000A	Chute Rubber	1
4	23092000205000A	Hinge, 85 × 22, T=1.5mm,White Zinc	1
5	23075000020027A	Discharge Chute Deflector	1
6	23068000185000A	Pressing Spring, Ø1.5	1
7	23073000145000A	Positioning Rod, Ø8, White Zinc	1
8	23072000105000A	Guy Wire Plate 1, T=3 mm, Black	1
9	30333020025000	Cap Nut, M5, Blue White Zinc	1
10	23075000200265B	Chute Support Arm, 493 × 332 × 43	1
11	30913040175000	Hexagon Bolt, M10 × 40	1
12	23071000240001A	Chute Pivot, PA6+GF30	1
13	30823040035000	Elastic Column Pin, 1.5 × 16, Black	1
14	23072000140265B	Chute Pivot Cover, T=2.5, 181.5 × 136.5 × 118.9, Black	1
15	23073000165000A	Chute Rotating Cable Support Rod, 208 × 58,White Zinc	1
16	30512050045000	Big Washer, Ø10, Blue White Zinc	2
17	30313090085000	Hexagon Locking Nut, M10, Blue White Zinc	2
18	2306800007A	Discharge Chute Deflector Cable	1
19	23032000755000A	Chute Rotating Cable, 1203 mm	2

HANDLE ASSEMBLY DIAGRAM

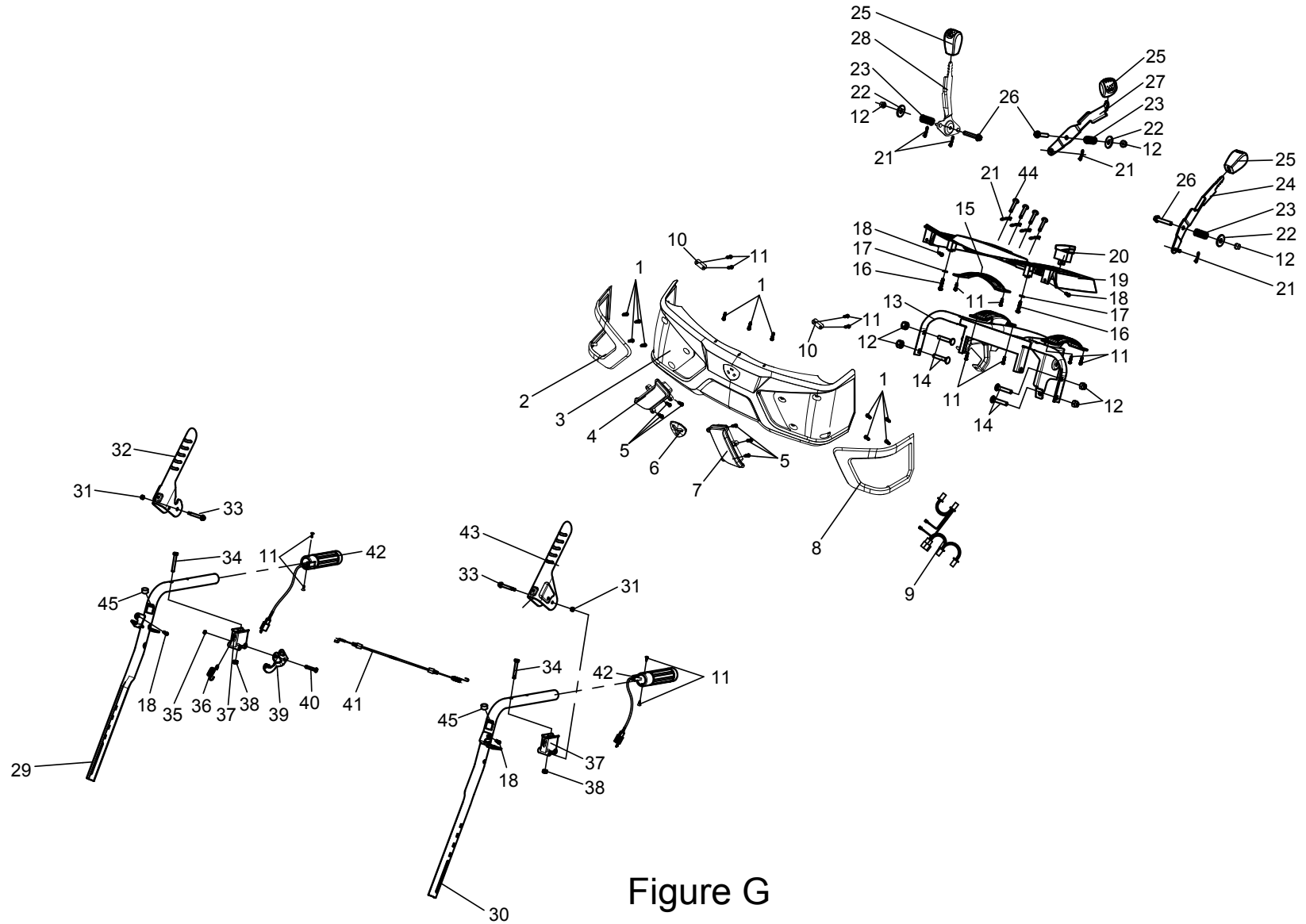


Figure G

HANDLE ASSEMBLY PART LIST

#	Part Number	Description	Qty.
1	30113010265000	Self-Tapping Screw, ST4.2 × 8, Black Zinc	11
2	23041000090243A	Right Decorative Ring	1
3	23041000060027A	Light Panel	1
4	2308900011A	LED Light Assembly, Right	1
5	30113010255000	Self-Tapping Screw, ST4.2 × 16, Black Zinc	6
6	2304100022A	Badge, Chrome	1
7	2308900010A	LED Light Assembly, Left	1
8	23041000080243A	Left Decorative Ring	1
9	2308100003A	Panel Wiring Harness, 0.75mm ² × 100	1
10	2281100002B	Cable Pressing Plate, PA6+GF30	2
11	30113010095000	Self-Tapping Screw, ST4.2 × 12, Black Zinc	14
12	30313090025000	Hexagon Locking Nut, M8, White Zinc	7
13	23065000260265A	Panel Fixed Plate Assembly, 463 × 166 × 210	1
14	30913090095000	Half-Round Head Square Neck Bolt, M8 × 40, Blue White Zinc	4
15	23062000830265A	Front Adjustment Plate, 165 × 35	1
16	A26800104801	Self-Tapping Screw, ST5 × 30, Blue White Zinc	2
17	30512050035000	Big Washer, 5, Blue White Zinc	2
18	30113010125000	Self-Tapping Screw, ST4.8 × 12, Black Zinc	4
19	23041000070027A	Top Panel	1
20	20114000605000A	Rocker Switch, 125V, 20A	1
21	23093000195000B	B Pin, White Zinc	8
22	30512050025000	Big Washer, 8, Blue White Zinc	3
23	23068000135000B	Gear Pressing Spring, Ø14.5 × 33.75, White Zinc	3
24	23063000525000A	Left Adjustment Lever, T=3	1
25	23066000135000A	Handle, 41 × 41 × 63, Black	3
26	20313000995000A	Hexagon Flange Bolt, M8 × 50, Blue White Zinc	3
27	23032001045000A	Front Adjustment Lever, T=3	1
28	2306200087A	Right Adjustment Lever	1
29	23062000800265B	Right Upper Handle, 25 × 2.5	1

#	Part Number	Description	Qty.
30	23062000790265B	Left Upper Handle, 25 × 2.5	1
31	30313090055000	Hexagon Locking Nut, M5, Blue White Zinc	2
32	23062000820265A	Right Trigger, T=2, 220 × 89.5 × 42.5, Black	1
33	23063000075000A	Trigger Bolt, M5 × 45, White Zinc	2
34	30913070135000	Hexagon Flange Bolt, M6 × 55, Blue White Zinc	2
35	30423010095000	Shaft Elastic Circlip, 6, Black	1
36	23068000295000A	Self-Locking Tension Spring, 1 × 28, White Zinc	1
37	23061000480301A	Handle Support Unit	2
38	30313090035000	Hexagon Locking Nut, M6, Blue White Zinc	2
39	23065000275000A	Self-Locking Plate Assembly, Right Trigger, 62.5 × 36 × 30, Black	1
40	23063000515000A	Self-Locking Fixed Pin Shaft, 6 × 33, Black	1
41	23068000325000A	Self-Locking Cable, 745 mm	1
42	23069000105015A	Handle, Heated, Ø34.5 × 132	2
43	23062000810265A	Left Trigger, T=2, 220 × 89.5 × 42.5, Black	1
44	23053000055000A	Shear Pin, Ø8 × 42.5, Blue White Zinc	4
45	2306600002	Silicon Tube, Ø9 × Ø12	2

WIRING DIAGRAM

