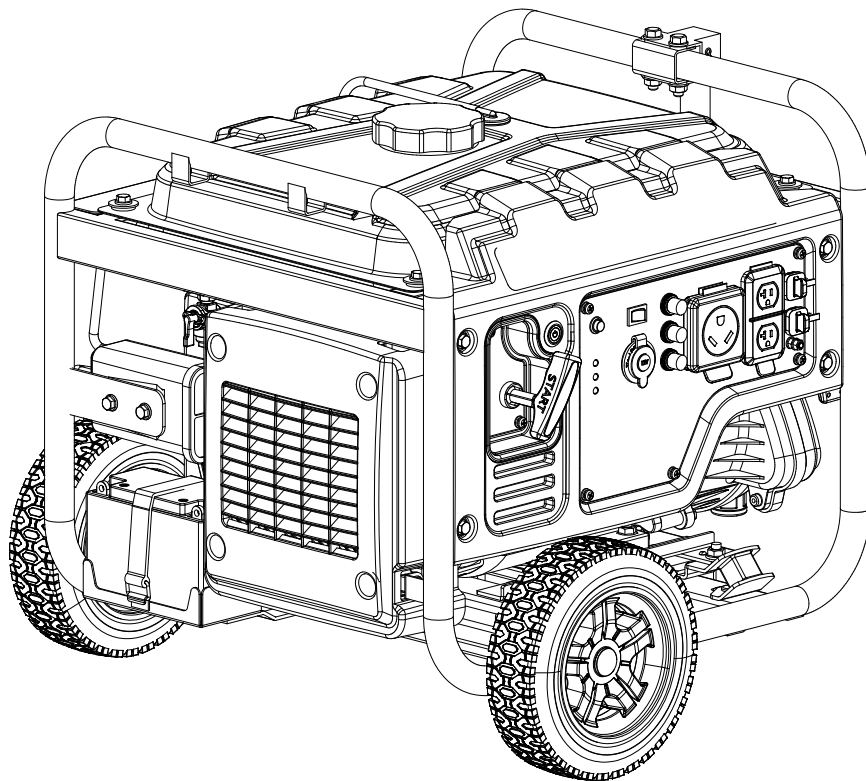


Champion Power Equipment, Inc., Santa Fe Springs, CA USA

**MODEL #100573**



## **PARTS INFORMATION**

**4000W WIRELESS REMOTE START INVERTER GENERATOR**

**SERIAL NUMBER RANGE: ALL**

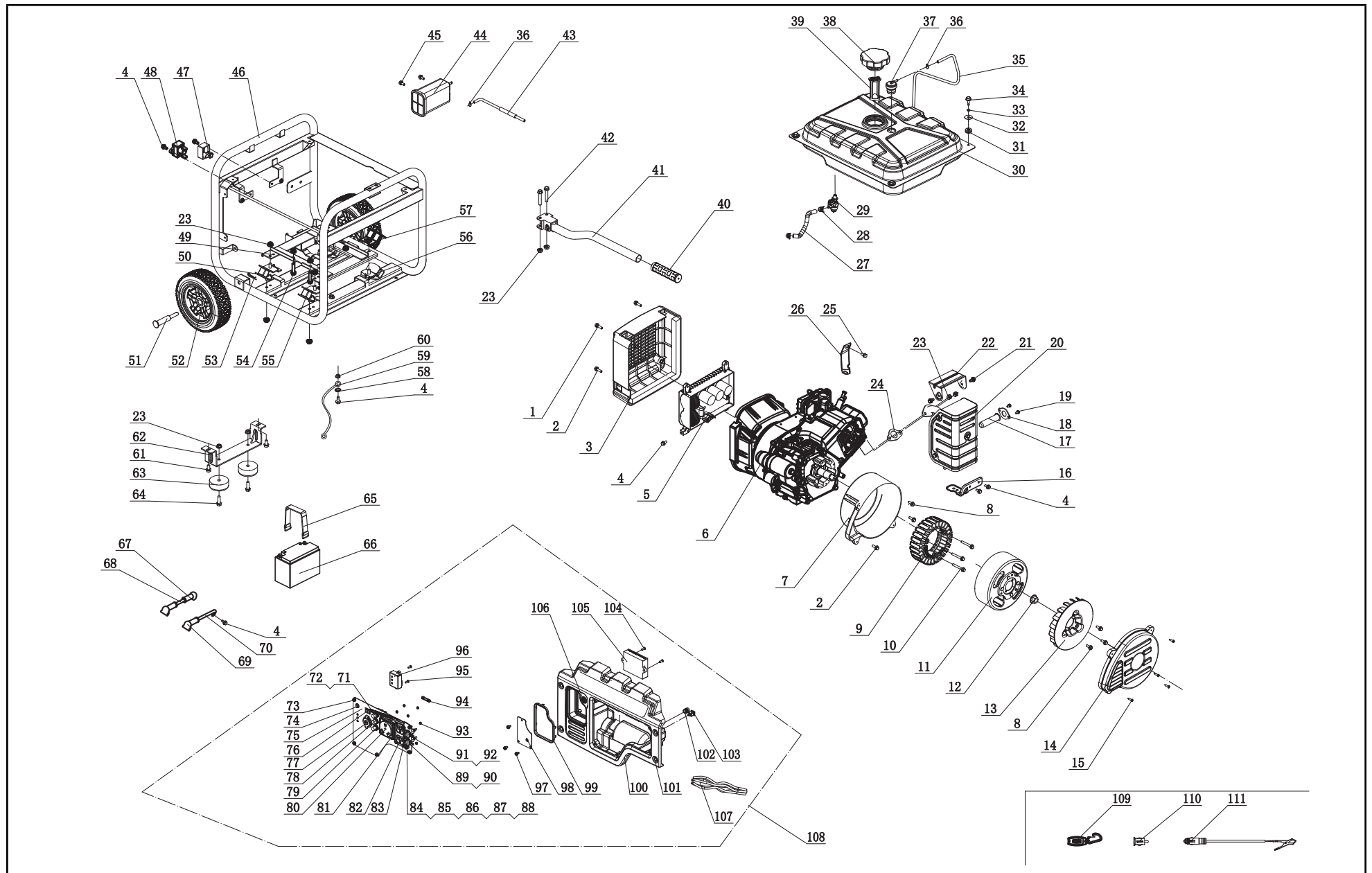


To order replacement parts please visit:  
**[shop.championpowerequipment.com](http://shop.championpowerequipment.com)**  
or call **1-877-338-0999**.

## **TABLE OF CONTENTS**

<b>Generator Inverter Parts Diagram</b> .....	<b>3</b>
<b>Generator Inverter Parts List</b> .....	<b>4</b>
<b>Engine Parts Diagram</b> .....	<b>7</b>
<b>Engine Parts List</b> .....	<b>8</b>
<b>Wiring Diagram</b> .....	<b>10</b>

# GENERATOR INVERTER PARTS DIAGRAM



**GENERATOR INVERTER PARTS LIST**

#	Part Number	Description	Qty.
1	1.5789.0625	Flange Bolt M6 x 25	2
2	1.5789.0620	Flange Bolt M6 x 20	4
3	85.220005.01	Protection Cover, Control Unit	1
4	1.5789.0612	Flange Bolt M6 x 12	7
5	85.221000.07	Control Unit, 3.3KW, 120V/60Hz, Wireless Parallel	1
6	85.602	Engine, 224cc	1
7	85.190002.01	End Housing, Motor	1
8	1.5789.0615	Flange Bolt M6 x 15	4
9	85.191200.10	Stator Assembly	1
10	1.9074.14.0650	Bolt/Washer Assembly M6 x 50	3
	S/N: <20SEP1500400		
	1.9074.14.0650		
	S/N: 20SEP3000001+		
11	85.191100.03	Rotor Assembly	1
12	2.02.006	Nut M14 x 1.5	1
13	83.190001.01	Fan, Generator	1
14	85.190003.01	End Cover, Generator	1
15	1.845.4219	Screw ST4.2 x 19	4
16	85.100100.01.2	Bracket, Muffler	1
17	46.101300.08	Spark Arrester Assembly	1
18	46.101503.08	Plate, Spark Arrester	1
19	1.9074.4.0514	Screw/Washer Assembly M5 x 14	2
20	85.101000.01.2	Muffler Assembly	1
21	1.5789.0610	Bolt/Washer Assembly M6 x 10	2
	S/N: <20SEP1500400		
	1.9704.17.0610		
	S/N: 20SEP3000001+		
22	85.101203.01.2	Cover, Exhaust Pipe	1
23	1.6177.1.08	Lock Nut M8, Flange	18

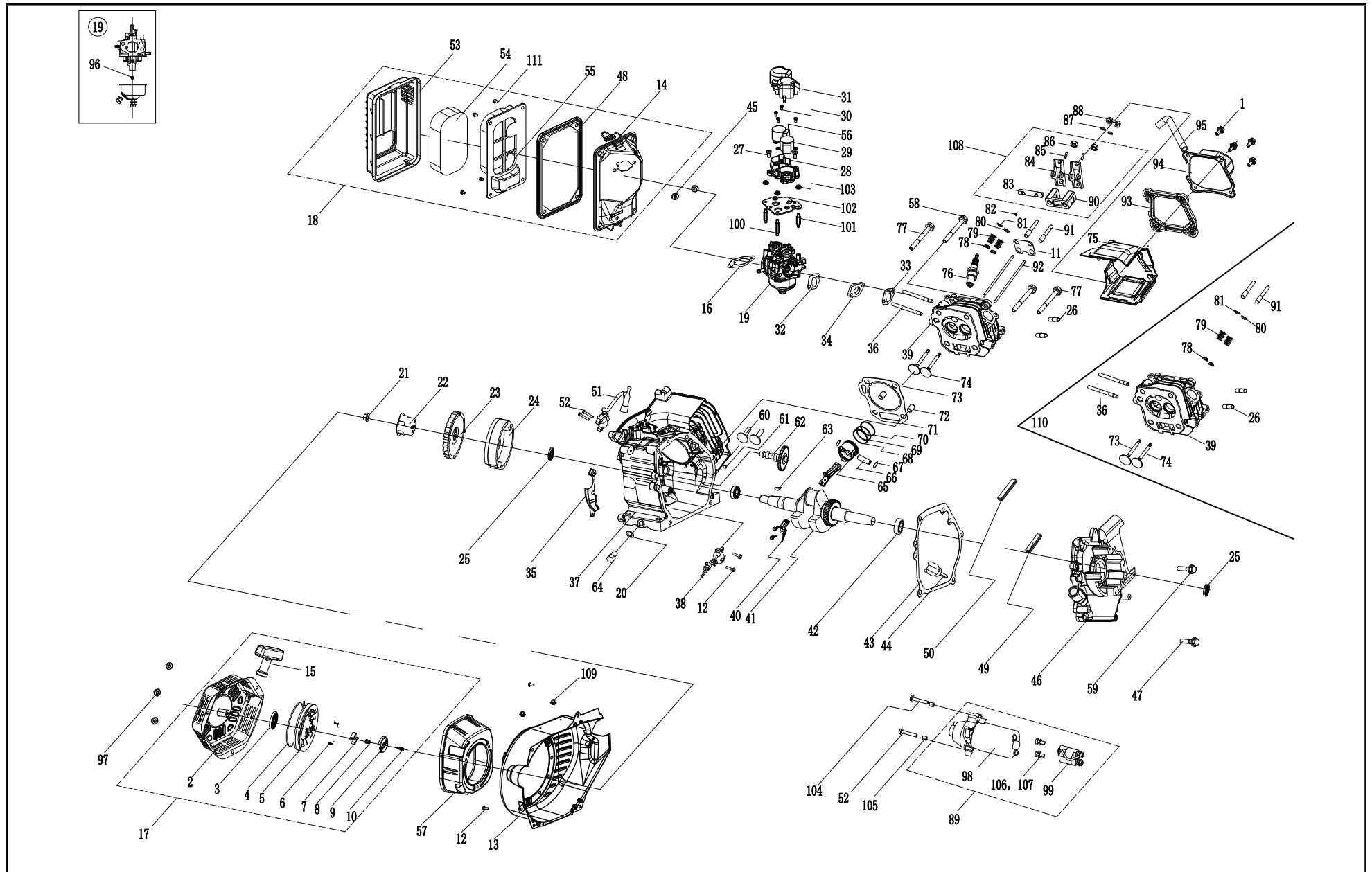
#	Part Number	Description	Qty.
24	26.100001.00	Gasket, Muffler	1
25	1.5789.0608	Flange Bolt M6 x 8	1
26	23.090006.21	Holder, Air Cleaner	1
27	85.070011.01	Pipe, Fuel, 140mm	1
28	2.06.007	Clamp, Ø8 x b6	2
29	85.070400.01	Fuel Valve	1
30	85.071000.02.48	Fuel Tank, 11L, Yellow	1
31	122.070015.01	Mount Vibration, Fuel Tank	4
32	2.03.004.1	Washer, Ø24 x Ø6.5 x 1.5, Black	4
33	1.93.06	Lock Washer Ø6	4
34	1.5789.0620.1	Flange Bolt M6 x 20, Black	4
35	85.070014.04	Pipe, Reversal Valve, 600+30mm	1
36	2.06.006	Clamp, Ø7 x Ø1	3
37	152.070800.00	Reversal Valve	1
38	122.070100.07	Fuel Tank Cap	1
39	122.070300.03	Fuel Filter	1
40	152.200702.00	Cover, Handle	1
41	122.200700.03.2	Handle	1
42	1.5789.0845	Flange Bolt M8 x 45	2
43	85.070014.03	Pipe, Air Cleaner, 200+30mm	1
44	122.070700.00	Carbon Canister, 320CC	1
45	1.5789.0612.1	Flange Bolt M6 x 10, Black	2
	S/N: <20SEP1500400		
	1.5789.0610.1		
	S/N: 20SEP3000001+		
46	61154.0.2	Frame, 520 x 481 x 442mm	1
47	5.1820.001	Charger	1
	S/N: <20SEP1500400		
	5.1820.009		
	S/N: 20SEP3000001+		

#	Part Number	Description	Qty.
48	5.1800.003	Rectifier	1
49	85.201600.01	Supporter	1
50	85.201200.01	Motor Mount, 1	1
51	122.201501.23	Pin Roll, Wheel, Ø16 x Ø10 x 97	2
52	122.201701.07.2	8 in. Wheel, PU, Black	2
53	2.16.001	Pin Ø2 x 33, "R" Shape	2
54	1.5789.0832	Flange Bolt M8 x 32	4
55	85.201200.02	Motor Mount, 2	2
56	85.201200.03	Motor Mount, 3	1
57	85.100007.01	Insulation Board, Motor Mount	1
58	1.862.06	Lock Washer Ø6, Toothed	1
59	5.1900.093	Grounding Line, 180mm	1
60	1.6177.1.06	Lock Nut M6, Flange	1
61	1.5789.0816	Flange Bolt M8 x 16	2
62	152.200002.00.2	Support Leg 60 mm	1
63	152.201400.00	Rubber, Support	2
64	1.5789.0825	Flange Bolt M8 x 25	2
65	122.200904.00	Pinch, Rubber	1
66	9.1000.07001	Battery 12V7AH	1
67	152.200013.02.3	Jacket, Wire, Red	2
68	5.1900.022	Red Wire, 700 mm, Battery	1
69	152.200013.02	Jacket, Wire, Black	1
70	5.1900.023	Black Wire, 480 mm, Battery	1
71	5.1200.308	8Amp Circuit Breaker, Push Button	1
72	5.1870.014	Circuit Breaker Cover, Push Button	3
73	1.9074.4.0514.1	Screw/Washer Assembly M5 x 12, Black	5
	S/N: <20SEP1500400		
	1.9074.4.0512.1		
	S/N: 20SEP3000001+		
74	5.1040.009	Button, Throttle Control	1
75	85.019.6.2	Control Panel, Black	1
76	5.1010.003.1	Switch, Economy	1

#	Part Number	Description	Qty.
77	5.1110.005	Receptacle, DC 12V	1
78	5.1210.920	20Amp Circuit Breaker, Push Button	1
79	5.1210.930	30Amp Circuit Breaker, Push Button	1
80	5.1120.036	Receptacle TT-30R	1
81	5.1870.004	Receptacle Cover, Receptacle TT-30R	1
	S/N: <20SEP1500400		
	5.1870.021		
	S/N: 20SEP3000001+		
82	5.1120.010	Receptacle 5-20R Duplex	1
83	5.1870.008	Receptacle Cover, Receptacle 5-20R Duplex	1
	S/N: <20SEP1500400		
	5.1870.025		
	S/N: 20SEP3000001+		
84	1.5783.0520.3	Bolt M5 x 20, Green	1
85	1.93.05.3	Lock Washer Ø5, Green	2
86	1.862.05	Lock Washer Ø5, Toothed	1
87	1.6170.05.3	Nut M5, Green	2
88	1.97.1.05.3	Washer Ø5, Green	2
89	83.210001.00.1	Connect Port, 125V/25A, Black	1
90	5.1870.010.1	Receptacle Cover, Connect Port, Black	1
91	83.210001.00.3	Connect Port, 125V/25A, Red	1
92	5.1870.010	Receptacle Cover, Connect Port, Red	1
93	1.6177.1.04.1	Lock Nut M4, Flange, Black	6
94	5.1280.003	Fuse 10A	1
95	1.818.0514.3	Screw, M5 x 14, Green	2
96	83.210016.00	Speed Limiter	1
97	None	Screw/Washer Assembly M5 x 14, Black	3
	S/N: <20SEP1500400		
	1.9074.4.0514.1		
	S/N: 20SEP3000001+		
98	85.061200.01.2	Guide Plate, Rope, Black	1
99	85.200106.01	Protector, Front Cover	1

#	Part Number	Description	Qty.
100	85.210002.02	Control Box	1
101	1.5789.0615.1	Flange Bolt M6 x 15, Black	4
102	5.1460.017	Pilot Lamp	1
103	5.1040.004	Remote Excercise Button	1
104	1.845.4216	Screw ST4.2 x 16	2
105	5.1830.019	Remote Control	1
106	5.1040.013	Switch, Button Start	1
107	100573.21.10	Wire Assembly	1
108	100573.21	Control Panel Assembly	1
109	9.2600.002	Remote Control	1
110	9.1700.008	Plug, USB 5V/2.4A	1
111	9.1600.009	Cables, 12V, 2m, CSA	1

# ENGINE PARTS DIAGRAM



**ENGINE PARTS LIST**

#	Part Number	Description	Qty.
1	1.5789.0615	Flange Bolt M6 x 15	4
2	85.061100.00.2	Cover, Recoil Starter, Black	1
3	21.061005.00	Spring, Recoil Starter	1
4	2.10.003.1	Rope Ø4 x 1550, Black	1
5	21.061001.01	Reel, Recoil Starter	1
6	45.060003.00	Spring, Ratchet	2
7	45.060002.00	Starter Ratchet, Steel	2
8	45.060009.00	Spring, Ratchet Guide	1
9	45.060007.00	Ratchet Guide	1
10	45.060008.00	Screw, Ratchet Guide	1
11	24.040004.00	Guide Plate, Push Rod	1
12	1.5789.0612	Flange Bolt M6 x 12	6
13	85.080100.02.48	Fan Cover, Yellow	1
14	85.091100.01	Base, Air Cleaner	1
15	21.061300.01.48	Handle, Recoil, Soft, Yellow	1
16	24.130004.20	Gasket, Air Cleaner	1
17	85.061000.01	Recoil Assembly	1
18	85.091000.01	Air Cleaner Assembly	1
19	85.131000.06	Carburetor	1
20	2.03.016	Washer Ø10 x Ø16 x 1.5, Drain Bolt	1
21	2.02.006	Nut M14 x 1.5	1
22	23.060001.01	Pulley, Starter	1
23	27.080001.00	Cooling Fan	1
24	24.120100.10	Flywheel	1
25	2.11.001	Oil Seal Ø25 x Ø41.3 x 6	2
26	2.01.010	Stud Bolt M8 x 35	2
27	1.9074.4.0512.1	Screw M5 x 12, Black	2
28	85.132100.03	Support, Stepper Motor	1
29	85.132200.01	Stepper Motor	1
30	1.823.0306.1	Screw M3 x 6	4

#	Part Number	Description	Qty.
31	81.132001.00	Cover, Stepper Motor	2
32	22.130003.00	Gasket, Carburetor	1
33	24.130002.00	Gasket, Insulator	1
34	27.130001.00	Insulator, Carburetor	1
35	27.080600.00	Air Guide, Right Side	1
36	2.01.003	Stud Bolt M6 x 90	2
37	85.030100.01.1	Crankcase	1
38	21.127000.02	Oil Level Sensor	1
39	26.010100.01	Cylinder Head, 224cc	1
40	27.050200.00	Connecting Rod	1
41	85.050100.01	Crankshaft	1
42	1.276.6205	Bearing 6205	2
43	24.030008.00	Gasket, Crankcase Cover	1
44	46.031000.00.48	Oil Dipstick Assembly, Yellow	1
45	1.6177.06	Flange Nut M6	2
46	85.030007.01	Cover, Crankcase	1
47	1.5789.0832	Flange Bolt M8 x 32	5
48	23.091002.21	Seal, Air Cleaner	1
49	27.030013.01	Seal Strip, Crankcase Cover, Short	1
50	27.030013.00	Seal Strip, Crankcase Cover, Long	1
51	22.123000.02	Ignition Coil	1
52	1.5789.0625	Flange Bolt M6 x 25	3
53	27.091200.01	Cover, Air Cleaner	1
54	23.091003.21	Element, Air Cleaner	1
55	23.091001.21	Separator, Air Cleaner	1
56	45.132200.03	Stepper Motor, Choke Valve	1
57	85.220005.02	Protective Cover, Control Unit, Engine	1
58	2.08.121	Flange Bolt M10 x 65	1
59	1.5789.0840	Flange Bolt M8 x 40	1
60	25.040013.00	Lifter, Valve	2



#	Part Number	Description	Qty.
61	2.04.001	Dowel Pin Ø9 x 14	2
62	27.041000.00	Camshaft	1
63	2.14.012	Woodruff Key 4 x 7.5 x 19	1
64	2.08.037	Drain Bolt M10 x 1.25 x 25	1
65	27.050005.00.1	Piston	1
66	23.050003.00	Pin, Piston	1
67	2.09.001	Circlip Ø18 x Ø1	2
68	27.050303.00	Ring, Oil	1
69	27.050302.00	Ring, Second Piston	1
70	27.050301.00	Ring, First Piston	1
71	27.030009.01	Gasket, Cylinder Head	1
72	2.04.003	Dowel Pin Ø10 x 14	2
73	23.040002.02	Valve, Intake	1
74	23.040006.02	Valve, Exhaust	1
75	85.080200.01	Air Shroud, Cylinder	1
76	2.15.002(F6RTC)	Spark Plug F6RTC	1
77	1.5789.0865	Flange Bolt M8 x 65	3
78	23.040017.00	Oil Seal, Valve, Steel	2
79	21.040003.00	Spring, Valve	2
80	21.040007.00	Retainer, Exhaust Valve Spring	1
81	21.040001.00	Retainer, Intake Valve Spring	1
82	21.040008.00	Rotator, Exhaust Valve	1
83	24.040202.00	Shaft, Rocker Arm	1
84	22.040009.00	Rocker Arm	2
85	22.040012.00	Screw, Valve Adjustment	2
86	21.040021.00	Nut M6 x 0.5, Lock	2
87	1.97.1.06	Washer Ø6	2
88	1.6177.1.06	Lock Nut M6, Flange	2
89	27.125000.01	Starter Motor Assembly	1
90	24.040201.00	Retainer, Rocker Arm	1
91	23.040010.00	Bolt, Rocker Arm	2
92	27.040005.00	Push Rod	2

#	Part Number	Description	Qty.
93	21.020002.01	Gasket, Cylinder Head Cover	1
94	24.021000.00	Cover, Cylinder Head	1
95	23.020001.02	Breather Tube, 112 + 35 mm	1
96	27.131017.01	Main Jet, Standard	1
	27.131017.01.01	Main Jet, Altitude	/
97	1.6177.1.05	Lock Nut M5, Flange	3
98	27.125100.00	Starter Motor	1
99	23.125200.03	Relay, Starter, Three Gear	1
100	85.130006.04	Support 20mm, Support plate	1
101	85.130006.03	Support 15mm, Support plate	2
102	85.130005.03	Support, Stepper Motor	1
103	1.6177.1.04.2	Lock Nut M4, Flange	3
104	1.5789.0629	Flange Bolt M6 x 29	1
105	2.04.005	Dowel Pin Ø8 x 10	2
106	1.93.05	Lock Washer Ø5	2
107	1.16674.0516	Flange Bolt M5 x 16	2
108	24.040200.00	Rocker Arm Assembly	1
109	2.05.001	Clamp, Ø8 x 6.5	2
110	27.010000.00	Cylinder Head Assembly	1
111	2.08.166	Flange Bolt M5×12	4

# WIRING DIAGRAM

