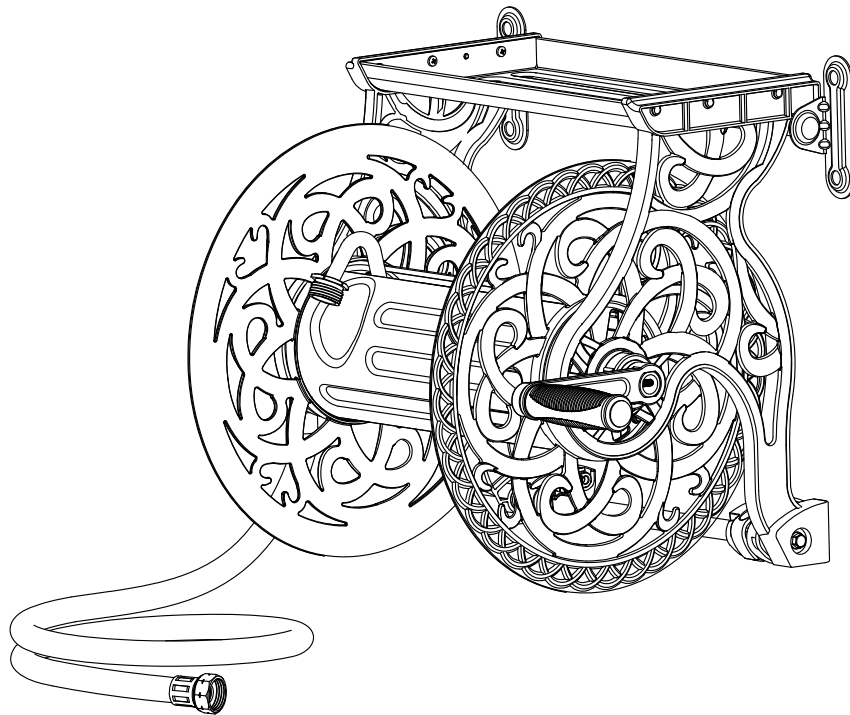




Champion Power Equipment, Inc., Santa Fe Springs, CA USA

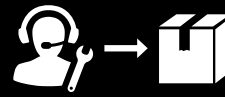
MODEL #201055



PARTS INFORMATION

DETACHABLE HOSE REEL

SERIAL NUMBER RANGE: ALL



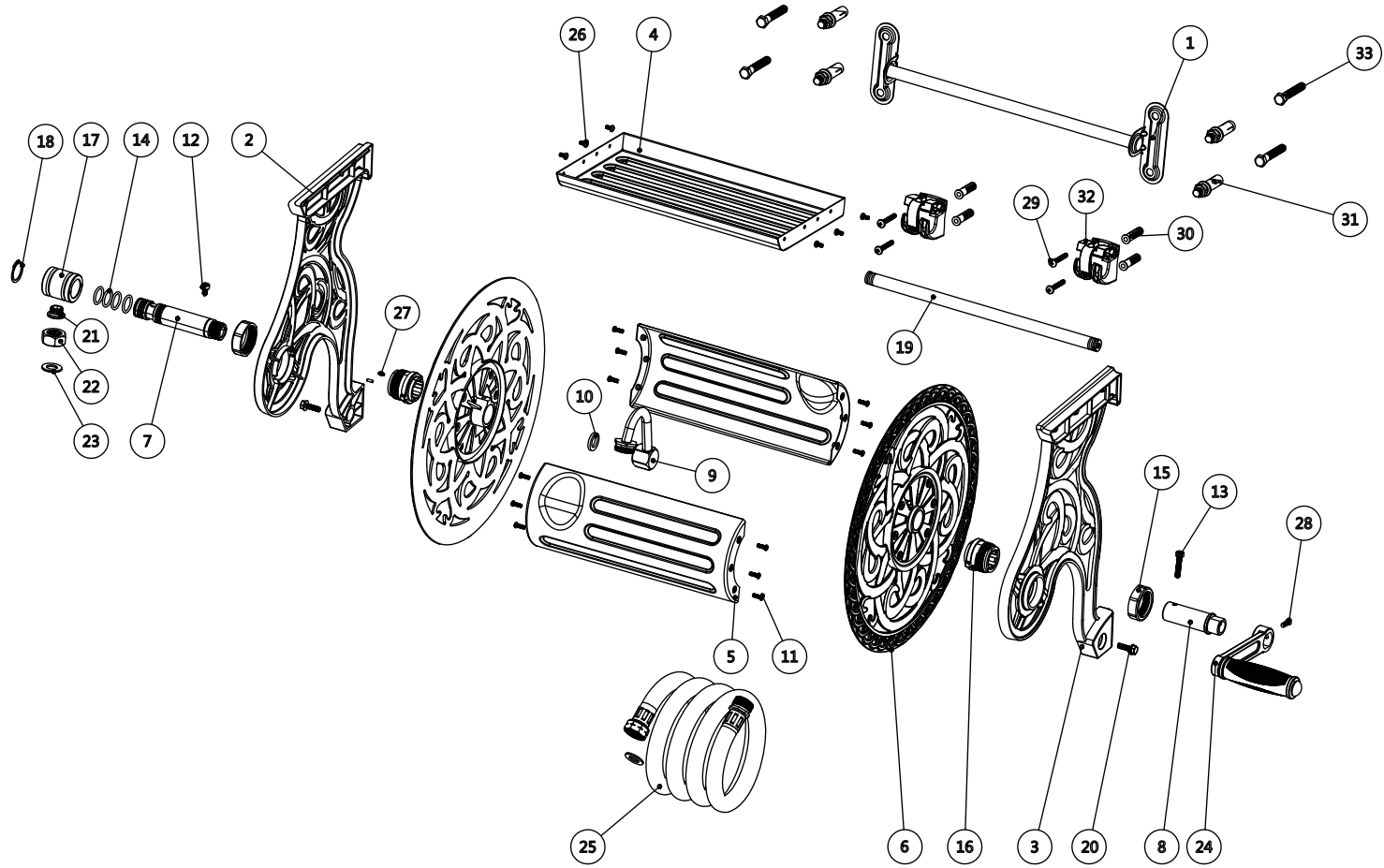
To order replacement parts please visit:
shop.championpowerequipment.com
or call **1-877-338-0999**.

TABLE OF CONTENTS

Parts Diagram **3**

Parts List **4**

PARTS DIAGRAM



PARTS LIST

#	Part Number	Description	Qty.
1	09001019	Mounting Rail Subassembly	2
2	09002131	Left Frame	1
3	09002132	Right Frame	1
4	09002122	Accessory Shelf	1
5	09001023	Hub Half Subassembly	2
6	09002133	Right/Left Plate	2
7	09002127	Long Axle	1
8	09002128	Short Axle	1
9	90072635	Outlet Fitting	1
10	09003004	Outlet Seal, Water System	1
11	90022204	Screw, M4 x 12, Pan, Cross	12
12	90022605	Set Screw , M6 x 12	1
13	90022301	Screw, M6 x 30, Allen	1
14	90052026	O-Ring, 19 x 2.65	4
15	09003001	Swivel Cover	2
16	09003002	Right Plastic Bearing	2
17	09002104	Sleeve	1
18	90032300	Retainer Clip , 25 mm	1
19	09001005	Support Tube Subassembly	1
20	90022601	Screw, M6 x 20, Hex Flange	2
21	90072637	Inlet Brass Screw	1
22	90072636	Inlet Brass Nut	1
23	09003003	Seal Washer	3
24	09001021	Crank Handle Subassembly	1
25	09001013	Leader Hose Subassembly	1
26	90022202	Screw, M4 x 8, Pan, Cross	6
27	90102504	Locating Pin	2
28	90022504	Screw, M5 x 15, Oval	1
29	90022031	Screw, Wood, St 4.8 x 38	8
30	95024074	Plastic Anchor	8

#	Part Number	Description	Qty.
31	95024046	Masonry Anchor, 10 x 60	8
32	09001022	Mounting Clip Subassembly	4
33	95024050	Screw, Lag, St 9.5 x 64, Hex	8