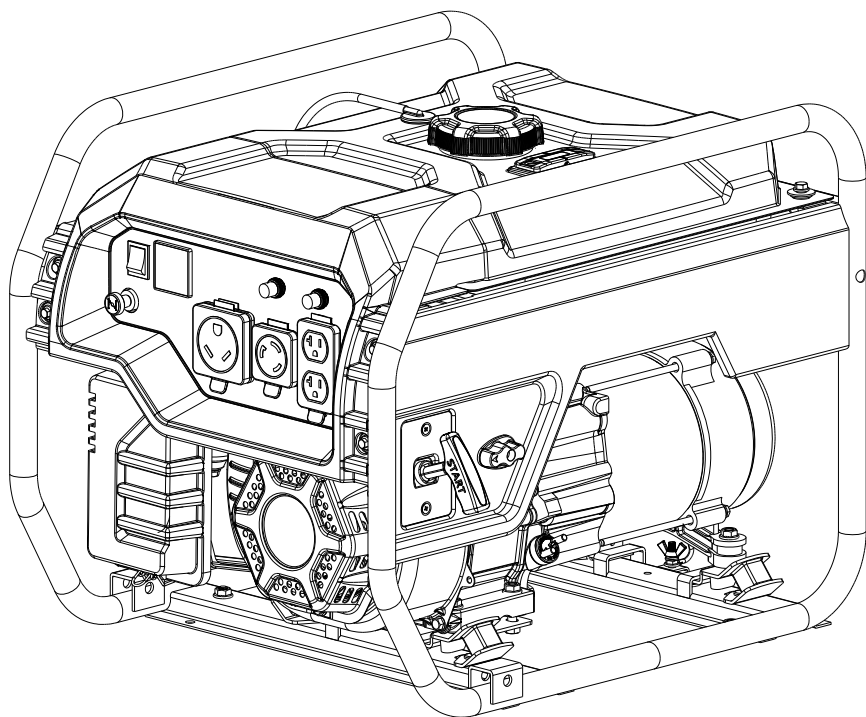




**MODEL #BD100618**



## **PARTS INFORMATION**

**3500W PORTABLE GENERATOR**

**SERIAL NUMBER RANGE: ALL**

An icon showing a person wearing a headset and holding a wrench, with an arrow pointing to a box, representing customer support for parts.

To order replacement parts please call:  
**1-888-376-7375.**

## **TABLE OF CONTENTS**

<b>Generator Parts Diagram</b> .....	<b>3</b>
<b>Generator Parts List</b> .....	<b>4</b>
<b>Engine Parts Diagram</b> .....	<b>5</b>
<b>Engine Parts List</b> .....	<b>6</b>
<b>Cylinder Head Diagram</b> .....	<b>8</b>
<b>Cylinder Head Parts List</b> .....	<b>9</b>
<b>Alternator Diagram</b> .....	<b>10</b>
<b>Alternator Parts List</b> .....	<b>11</b>
<b>Fuel Tank Diagram</b> .....	<b>12</b>
<b>Fuel Tank Parts List</b> .....	<b>13</b>
<b>Control Panel Diagram</b> .....	<b>14</b>
<b>Control Panel Parts List</b> .....	<b>15</b>
<b>Frame Diagram</b> .....	<b>16</b>
<b>Frame Parts List</b> .....	<b>17</b>
<b>Wiring Diagram</b> .....	<b>18</b>

# GENERATOR PARTS DIAGRAM

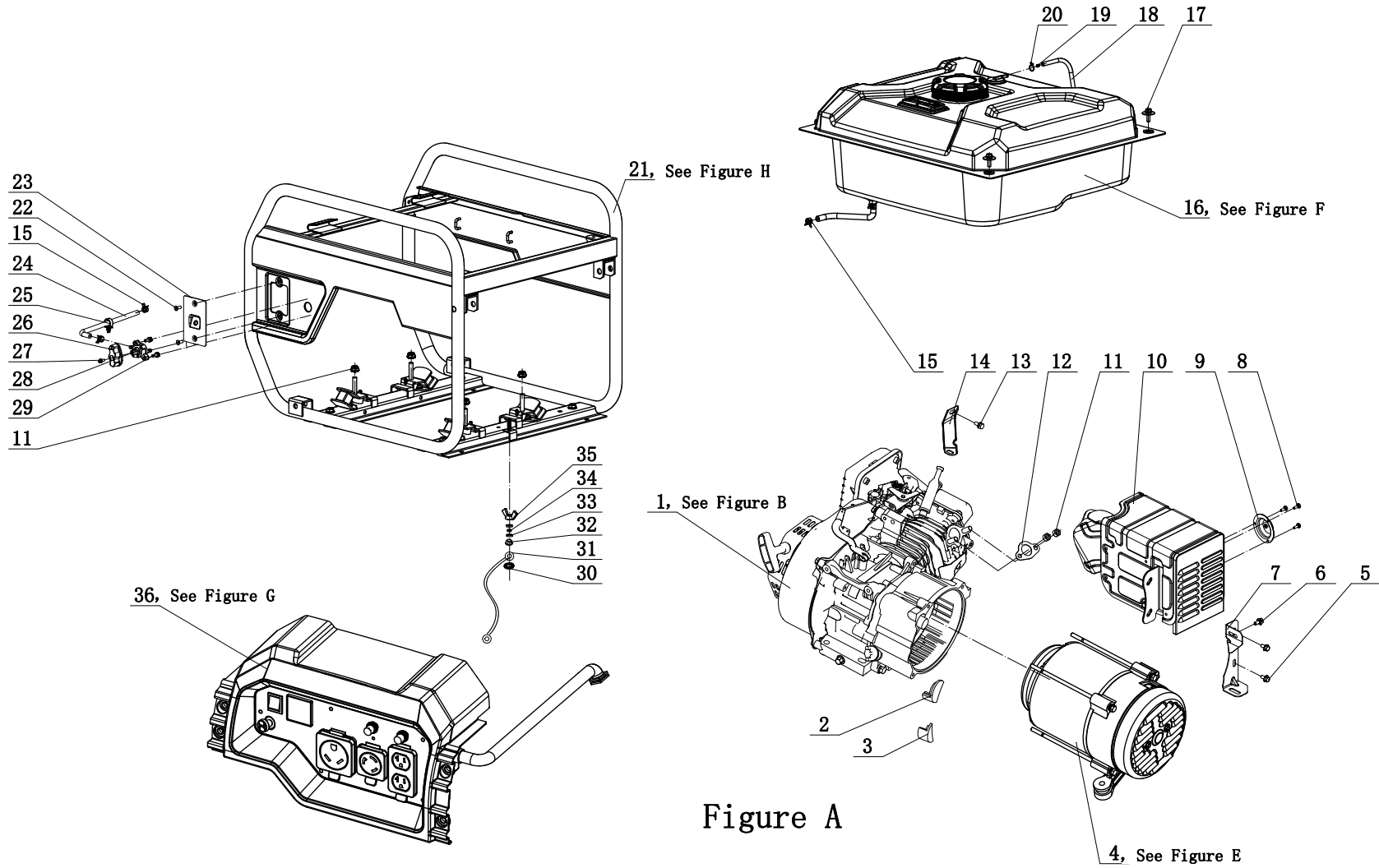


Figure A

**GENERATOR PARTS LIST**

#	Part Number	Description	Qty.
1	27.408.2	Engine, 224cc, See Figure B	1
2	122.190005.00	Rubber, Fore-Cover, B	1
3	122.190005.01	Rubber, Fore-Cover, A	1
4	124.190000.02	Alternator Assembly, Al, Ø160 x 130 mm, CSA, See Figure E	1
5	1.5789.0620	Flange Bolt M6 x 20	2
6	1.5789.0615	Flange Bolt M6 x 15	1
7	27.100100.01	Bracket, Muffler	1
8	1.823.0406	Screw M4 x 6	3
9	27.101300.00	Spark Arrester Assembly	1
10	27.101000.04.2	Muffler Assembly, Black	1
11	1.6177.1.08	Lock Nut M8, Flange	6
12	26.100001.00	Gasket, Exhaust	1
13	1.5789.0608	Flange Bolt M6 x 8	1
14	23.090006.21	Holder, Air Cleaner	1
15	2.06.016	Clamp Ø8.7 x b8	3
16	122.070000.63.2	Fuel Tank Assembly, See Figure F	1
17	2.08.143.1	Flange Bolt/Washer Assembly M6 x 20, Black	2
18	122.070014.02	Pipe, Reversal Valve, 670mm	1
19	24.070030.00	Hole, Breather Tube	1
20	2.06.006	Clamp Ø7 x Ø1	1
21	62399.100618	Frame, 625 x 488 x 492, See Figure H	1
22	1.819.0510	Screw M5 x 10	2
23	46.061200.00.2	Guide Plate, Rope, Black	1
24	122.070011.18	Fuel Pipe, 335 + 25mm	1
25	2.05.009	Clamp Ø12.5 x 7	1
26	122.070001.00	Knob, Fuel Valve	1
27	1.9074.4.0414.1	Screw/Washer Assembly M4 x 14, Black	1
28	83.070400.01.0	Fuel Valve	1
29	1.9074.1.0520	Screw Assembly M5 x 20	2

#	Part Number	Description	Qty.
30	1.862.06	Lock Washer Ø6, Toothed	1
31	5.1900.029	Grounding Line 150mm	1
32	1.6177.1.06	Lock Nut M6, Flange	1
33	1.97.1.06.2	Washer Ø6	2
34	1.93.06.2	Lock Washer Ø6	1
35	1.62.06	Butterfly Type Nut M6	1
36	100618.21	Control Panel Assembly, See Figure G	1

# ENGINE PARTS DIAGRAM

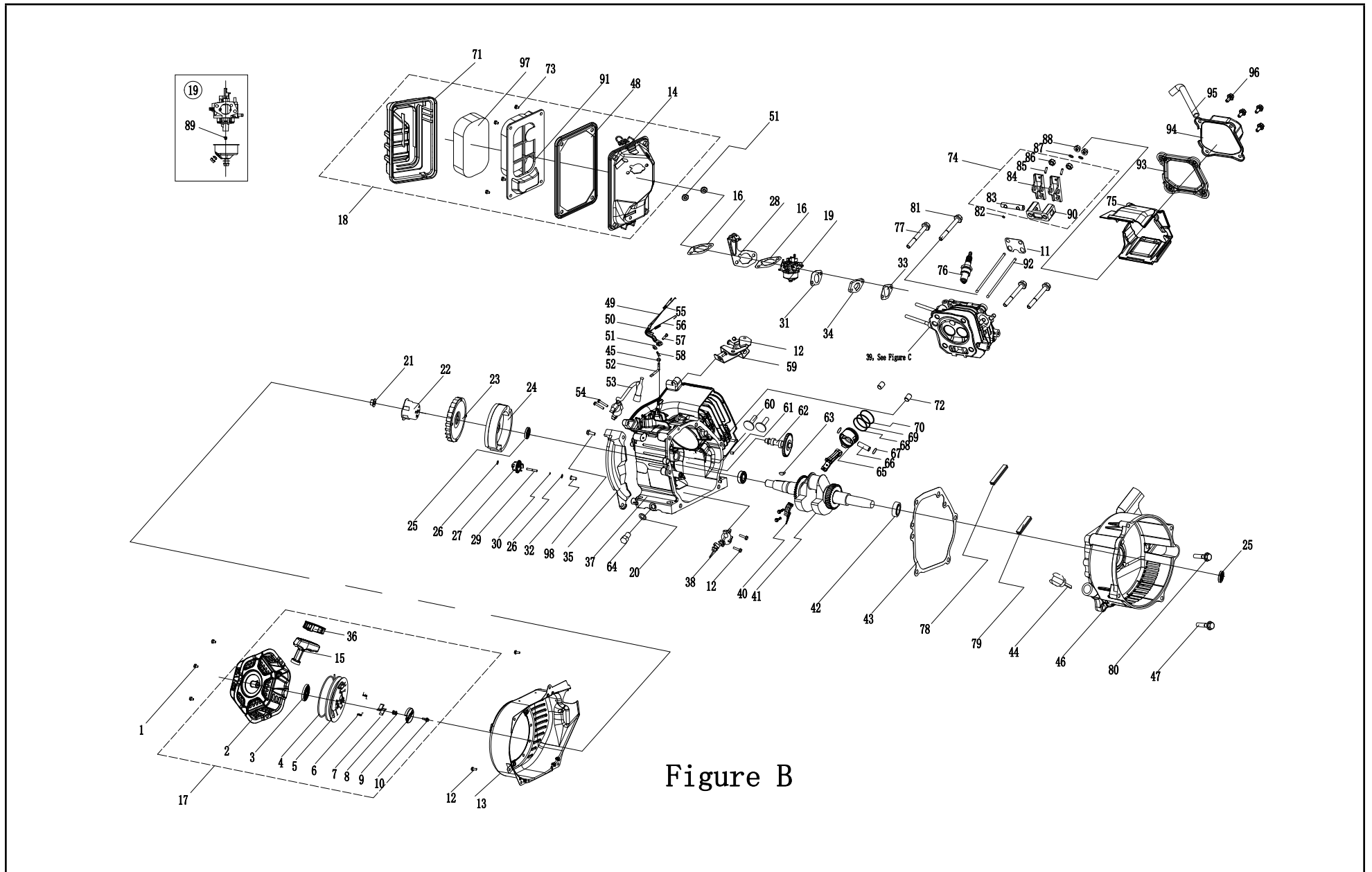


Figure B

**ENGINE PARTS LIST**

#	Part Number	Description	Qty.
1	1.16674.0608	Flange Bolt M6 x 8	3
2	27.061100.01.2	Cover, Recoil Starter, Black	1
3	21.061005.00	Spring, Recoil Starter	1
4	2.10.003.1	Rope Ø4 x 1550, Black	1
5	21.061001.01	Reel, Recoil Starter	1
6	45.060003.00	Spring, Ratchet	2
7	45.060002.00	Starter Ratchet, Steel	2
8	45.060009.00	Spring, Ratchet Guide	1
9	45.060007.00	Ratchet Guide	1
10	45.060008.00	Screw, Ratchet Guide	1
11	24.040004.00	Guide Plate, Push Rod	1
12	1.5789.0612	Flange Bolt M6 x 12	8
13	27.080100.02.2	Fan Cover, Black	1
14	85.091100.01	Base, Air Cleaner	1
15	21.061006.02	Handle, Recoil, Soft	1
16	24.130004.20	Gasket, Air Cleaner	2
17	27.061000.01	Recoil Assembly	1
18	27.091000.11	Air Cleaner Assembly	1
19	27.131000.17	Carburetor	1
20	2.03.016	Washer Ø10 x Ø16 x 1.5, Drain Bolt	1
21	2.02.006	Nut M14 x 1.5	1
22	23.060001.01	Pulley, Starter	1
23	27.080001.00	Cooling Fan	1
24	24.120100.06	Flywheel	1
25	2.11.001	Oil Seal Ø25 x Ø41.3 x 6	2
26	2.03.020.1	Washer Ø6.2 x Ø15 x 0.5, Black	2
27	21.110100.00	Gear, Governor	1
28	85.130200.01	Support, Choker Rod	1
29	21.110013.00	Shaft, Governor Gear	1
30	21.110011.00	Clip, Governor Gear	1

#	Part Number	Description	Qty.
31	22.130003.00	Gasket, Carburetor	1
32	21.110012.01	Bushing, Governor Gear, Steel	1
33	24.130002.00	Gasket, Insulator	1
34	27.130001.00	Insulator, Carburetor	1
35	23.080600.00	Air Guide, Right Side	1
36	21.061301.01	Support, Handle, Recoil	1
37	27.030100.01	Crankcase	1
38	21.127000.02	Oil Level Sensor	1
39	27.010000.00	Cylinder Head Assembly, See Figure C	1
40	27.050200.00	Connecting Rod	1
41	27.050100.00	Crankshaft	1
42	1.276.6205	Bearing 6205	2
43	24.030008.00	Gasket, Crankcase Cover	1
44	22.031000.00	Oil Dipstick Assembly	1
45	2.03.021.1	Washer Ø6.4 x Ø13 x 1, Black	1
46	27.030007.01	Cover, Crankcase	1
47	1.5789.0832	Flange Bolt M8 x 32	5
48	23.091002.21	Seal, Air Cleaner	1
49	23.110006.00	Rod, Governor	1
50	27.110003.00	Arm, Governor	1
51	1.6177.06	Flange Nut M6	3
52	21.110001.00	Shaft, Governor Arm	1
53	22.123000.02	Ignition Coil	1
54	1.5789.0625	Flange Bolt M6 x 25	2
55	23.110005.01	Spring, Throttle Return	1
56	23.110007.00	Spring, Governor	1
57	2.08.040	Bolt M6x21, Governor Arm	1
58	21.110008.00	Pin, Shaft	1
59	27.111000.20	Control Assembly	1
60	25.040013.00	Lifter, Valve	2

#	Part Number	Description	Qty.
61	2.04.001	Dowel Pin Ø9 x 14	2
62	27.041000.00	Camshaft	1
63	2.14.012	Woodruff Key, 4 x 7.5 x 19	1
64	2.08.037	Drain Bolt M10 x 1.25 x 25	1
65	27.050005.00	Piston	1
66	23.050003.00	Pin, Piston	1
67	2.09.001	Circlip Ø18 x Ø1	2
68	27.050303.00	Ring, Oil	1
69	27.050302.00	Ring, Second Piston	1
70	27.050301.00	Ring, First Piston	1
71	27.091200.11	Cover, Air Cleaner	1
72	2.04.003	Dowel Pin Ø10 x 14	2
73	2.08.166	Flange Bolt M5×12	4
74	24.040200.00	Rocker Arm Assembly	1
75	27.080200.00	Air Shroud, Cylinder	1
76	2.15.002(F6RTC)	Spark Plug F6RTC	1
77	1.5789.0865	Flange Bolt M8 x 65	3
78	27.030013.00	Seal Strip, Crankcase Cover, Long	1
79	27.030013.01	Seal Strip, Crankcase Cover, Short	1
80	1.5789.0840	Flange Bolt M8 x 40	1
81	2.08.121	Flange Bolt M10 x 65	1
82	21.040008.00	Rotator, Exhaust Valve	1
83	24.040202.00	Shaft, Rocker Arm	1
84	22.040009.00	Rocker Arm	2
85	22.040012.00	Screw, Valve Adjustment	2
86	21.040021.00	Nut M6 x 0.5, Lock	2
87	1.97.1.06	Washer Ø6	2
88	1.6177.1.06	Flange Nut M6	2
89	27.131017.01	Main Jet (#81.5), Standard	1
	27.131017.01.01	Main Jet (#79.5, Altitude	/
90	24.040201.00	Retainer, Rocker Arm	1
91	23.091001.21	Separator, Air Cleaner	1

#	Part Number	Description	Qty.
92	27.040005.00	Push Rod	2
93	21.020002.01	Gasket, Cylinder Head Cover	1
94	24.021000.00	Cover, Cylinder Head	1
95	23.020001.02	Breather Tube, 112 + 35 mm	1
96	1.5789.0615	Flange Bolt M6 x 15	4
97	23.091003.21	Element, Air Cleaner	1
98	1.5789.0620	Flange Bolt M6 x 20	1

# CYLINDER HEAD DIAGRAM

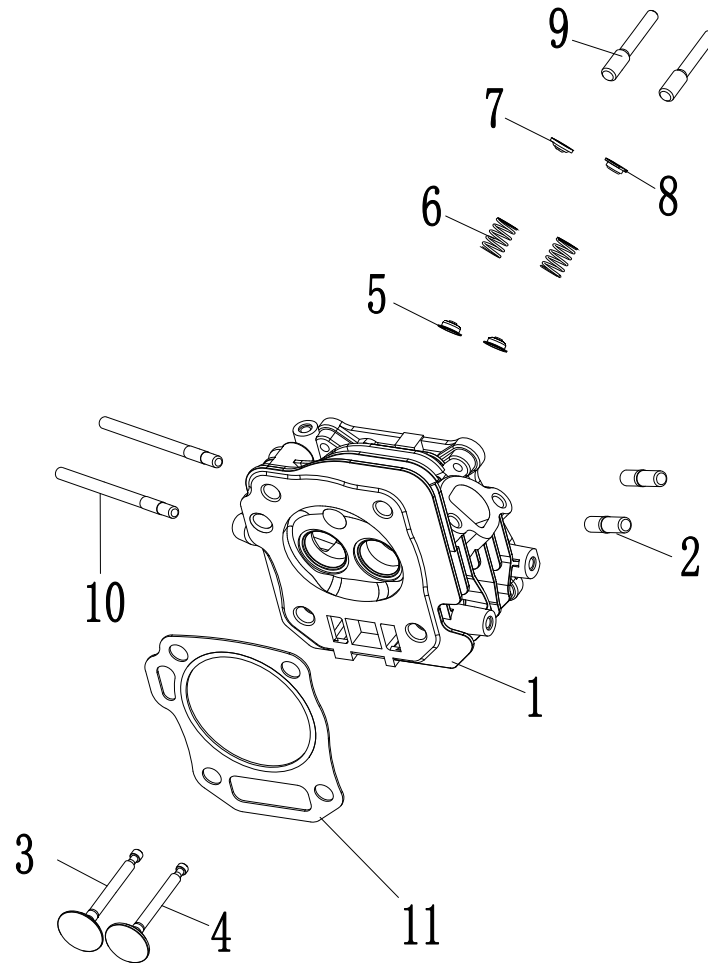


Figure C



**CYLINDER HEAD PARTS LIST**

#	Part Number	Description	Qty.
1	26.010100.01	Cylinder Head, 224cc	1
2	2.01.010	Stud Bolt M8 x 35	2
3	23.040002.02	Valve, Intake	1
4	23.040006.02	Valve, Exhaust	1
5	23.040017.00	Oil Seal, Valve, Steel	2
6	21.040003.00	Spring, Valve	2
7	21.040007.00	Retainer, Exhaust Valve Spring	1
8	21.040001.00	Retainer, Intake Valve Spring	1
9	23.040010.00	Bolt, Rocker Arm	2
10	2.01.003	Stud Bolt M6 x 90	2
11	27.030009.01	Gasket, Cylinder Head	1

# ALTERNATOR DIAGRAM

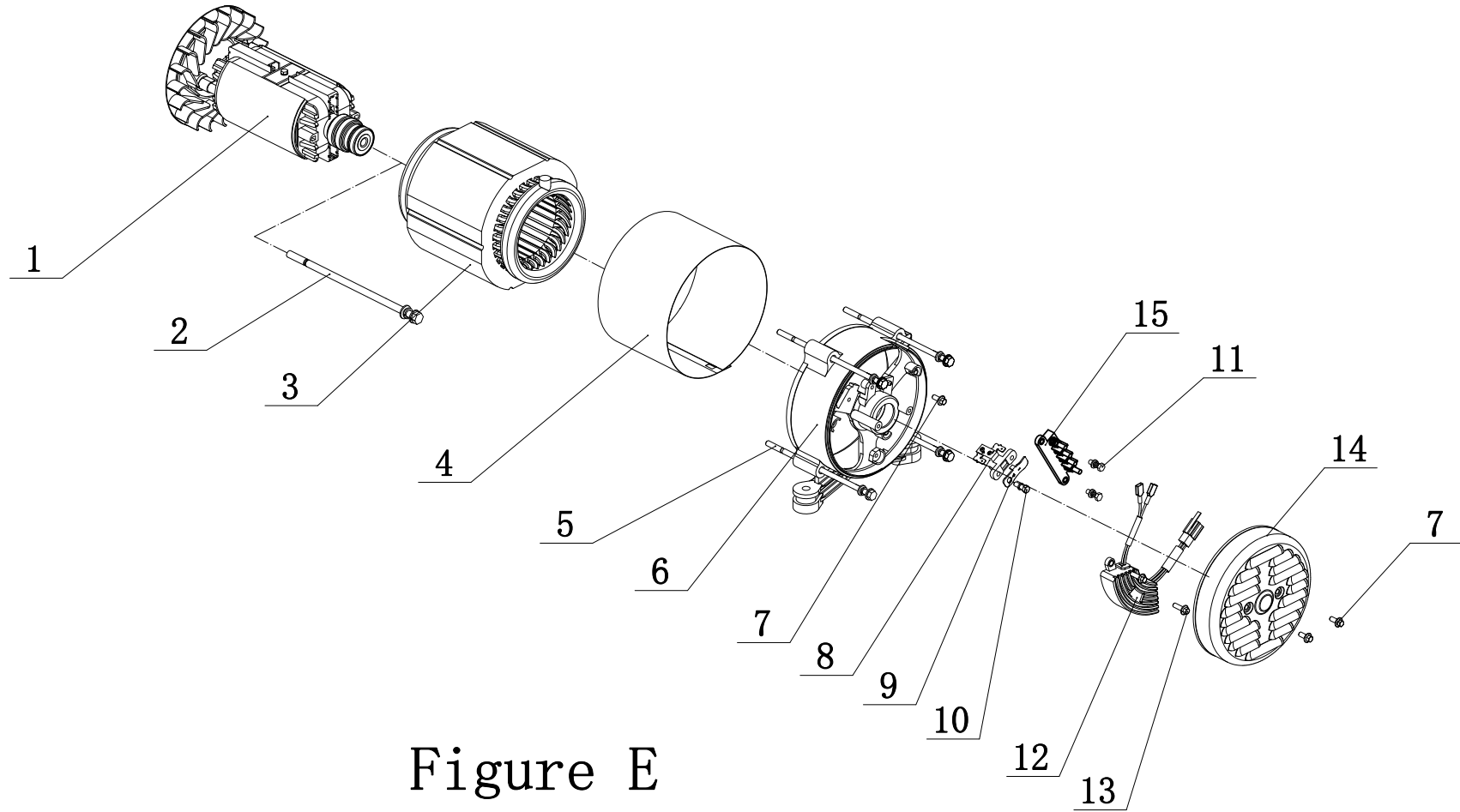


Figure E

**ALTERNATOR PARTS LIST**

#	Part Number	Description	Qty.
1	124.191100.02	Rotor Assembly, Al, Ø160 x 130 mm, CSA	1
2	2.08.109	Flange Bolt/Washer Assembly M8 x 252	1
3	124.191200.02	Stator Assembly, Al, Ø160 x 130 mm, CSA	1
4	124.191002.01.2	Stator Cover, Black	1
5	2.08.032	Flange Bolt/Washer Assembly M6 x 179	4
6	122.190002.00	End Housing	1
7	1.16674.0512.2	Flange Bolt M5 x 12	3
8	122.190300.00	Carbon Brush Assembly	1
9	122.190004.01	Pinch, Carbon Brush	1
10	1.9074.15.0520	Bolt/Washer Assembly M5 x 20	1
11	1.9074.17.0516	Screw/Washer Assembly M5 x 16	2
12	122.190200.03	AVR	1
13	1.16674.0516	Flange Bolt M5 x 16	2
14	122.190003.00.2	Generator End Cover, Black	1
15	122.190400.02	Terminal Block	1

## FUEL TANK DIAGRAM

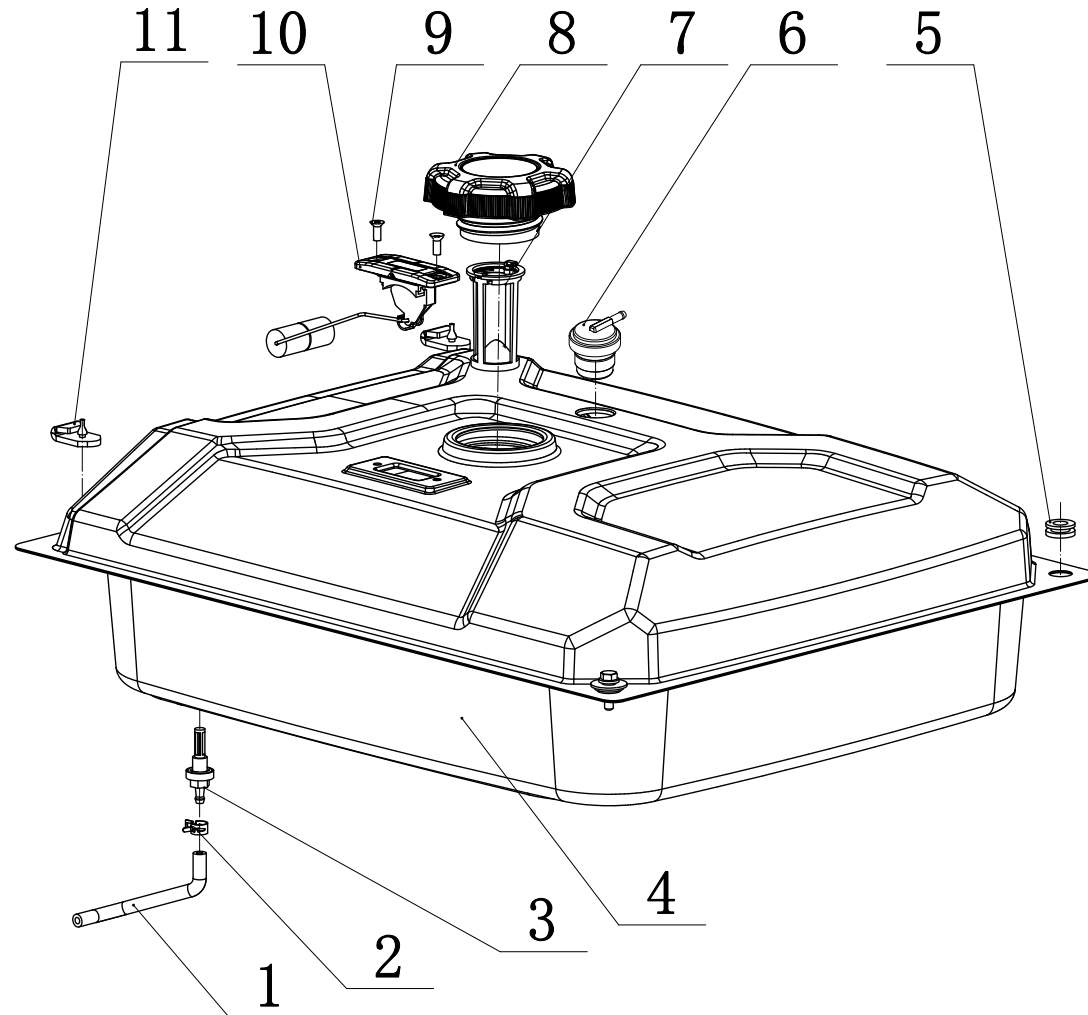


Figure F

**FUEL TANK PARTS LIST**

#	Part Number	Description	Qty.
1	122.070011.17	Fuel Pipe, 100 + 25mm	1
2	2.06.016	Clamp Ø8.7 x b8	1
3	21.070600.03	Fitting, Fuel Tank with Filter	1
4	122.071000.63.2	Fuel Tank, 19L, Black	1
5	122.070015.01	Mount Vibration, Fuel Tank	2
6	152.070800.00	Reversal Valve	1
7	122.070300.03	Fuel Filter	1
8	122.070100.09	Fuel Tank Cap	1
9	1.819.0510	Screw M5 x 10	2
10	171.072000.01	Fuel Level Assembly	1
11	152.070024.01	Mount Vibration, Fuel Tank	2

## CONTROL PANEL DIAGRAM

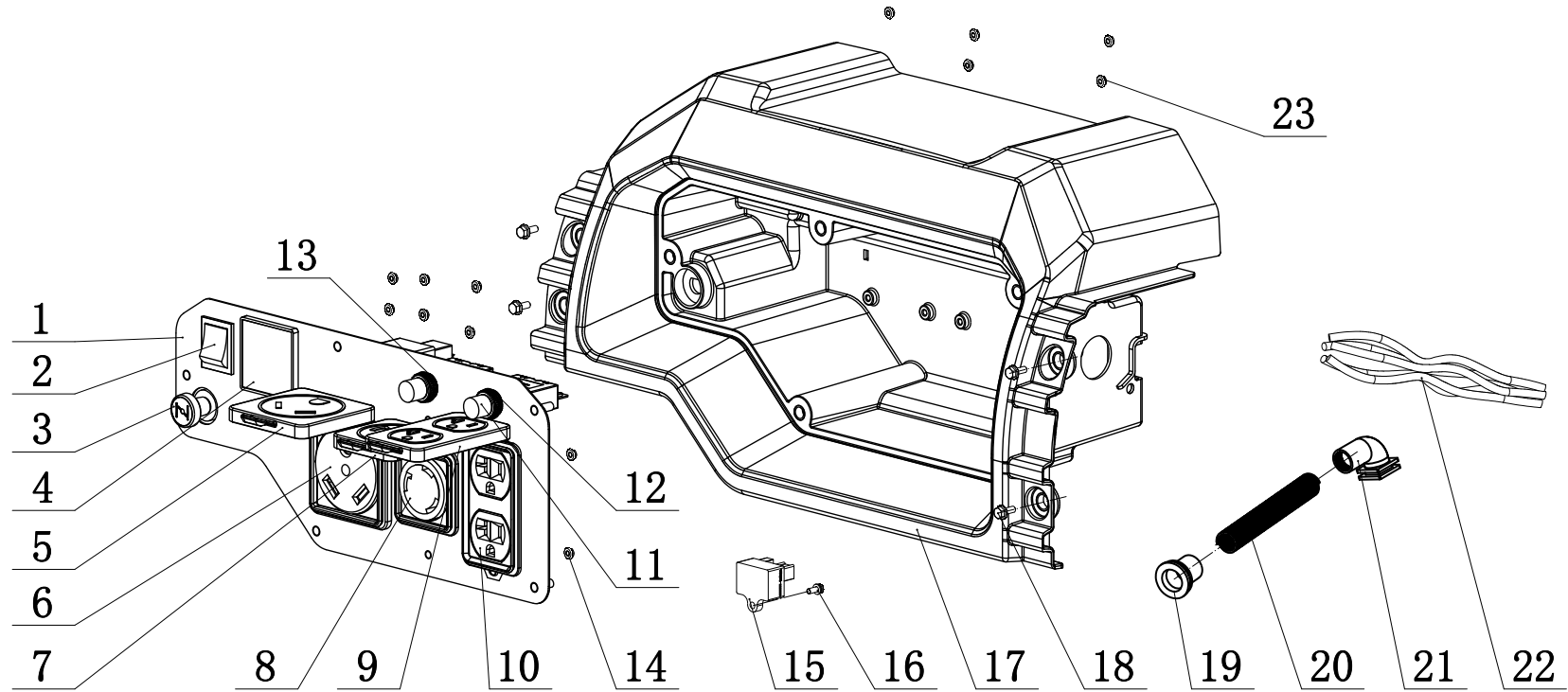


Figure G

**CONTROL PANEL PARTS LIST**

#	Part Number	Description	Qty.
1	122.25.1.2	Control Panel, Black	1
2	5.1000.004.3	Ignition Switch, Red	1
3	152.130200.00	Pull Choke Assembly	1
4	5.1430.008.99	Intelligauge, VFT-2	1
5	5.1870.021	Receptacle Cover, TT-30R	1
6	5.1120.036	Receptacle TT-30R	1
7	5.1870.023	Receptacle Cover, L5-30R	1
8	5.1120.023	Receptacle L5-30R, CSA	1
9	5.1870.025	Receptacle Cover, 5-20R	1
10	5.1120.027	Receptacle, 5-20R, CSA	1
11	5.1870.014	Circuit Breaker Cover, Push Button	2
12	5.1210.920	20Amp Circuit Breaker, Push Button, CSA	1
13	5.1210.930	30Amp Circuit Breaker, Push Button, CSA	1
14	1.6177.1.04.1	Lock Nut M4, Flange, Black	8
15	5.1810.000	Over Voltage Protector, CSA	1
16	1.818.0514.2	Screw M5 x 14	1
17	122.210002.62.29	Control Panel Housing, Cool Gray 11C	1
18	1.5789.0615.1	Flange Bolt M6 x 15, Black	4
19	122.210003.02	Wire Jacket, Control Box	1
20	5.1330.018	Sheath, Wire, Ø16 x 250 mm	1
21	122.210003.04	Plug, End Cover	1
22	100618.21.10	Wire Assembly	1
23	1.6177.1.05	Lock Nut M5, Flange	5

## FRAME DIAGRAM

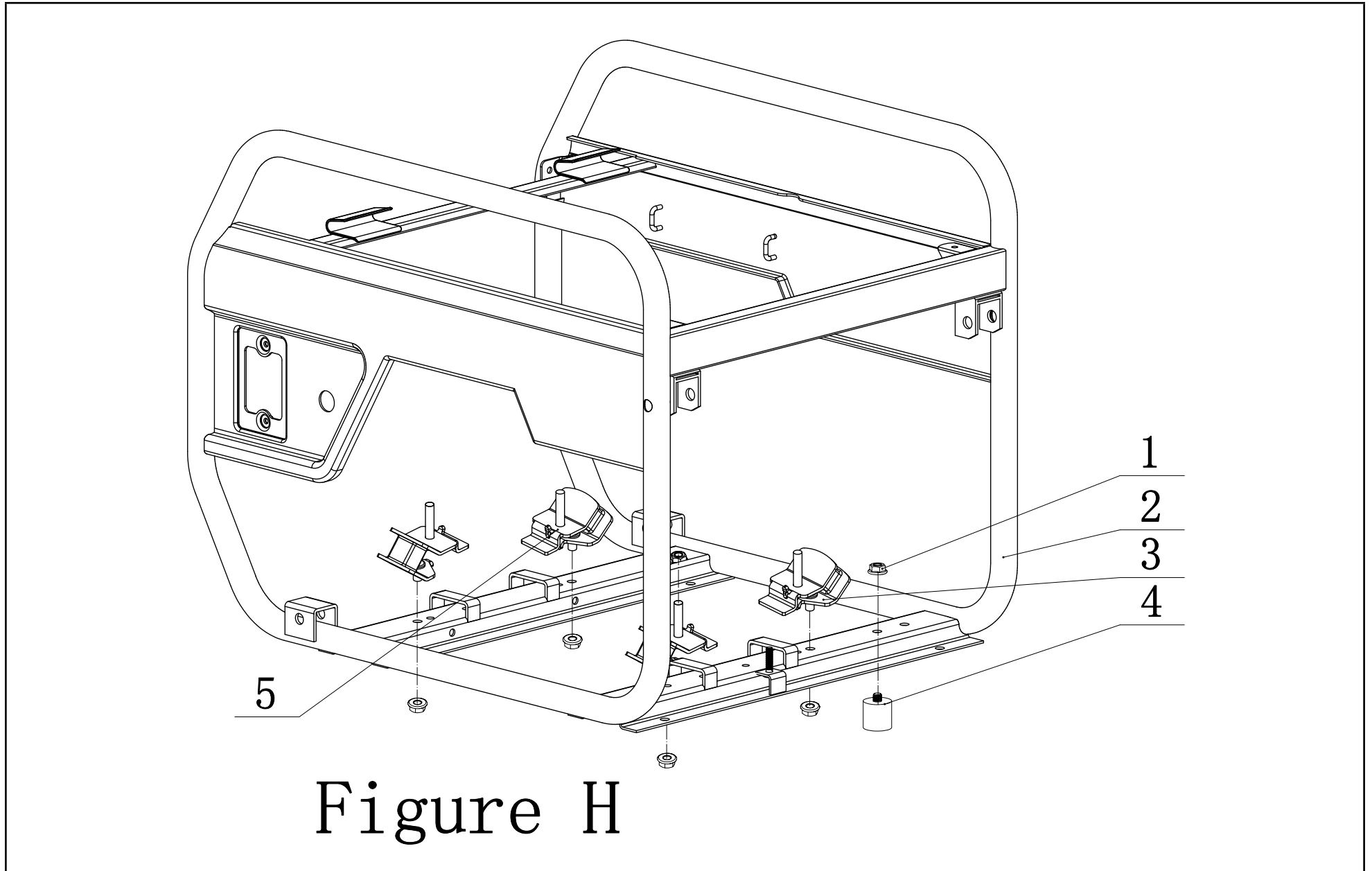


Figure H



**FRAME PARTS LIST**

#	Part Number	Description	Qty.
1	1.6177.1.08	Lock Nut M8, Flange	8
2	62399.29.16.2	Frame, 625 x 488 x 492	1
3	122.201200.06	Motor Mount 1	2
4	122.201400.01	Rubber, Support	4
5	122.201200.07	Motor Mount 2	2

# WIRING DIAGRAM

