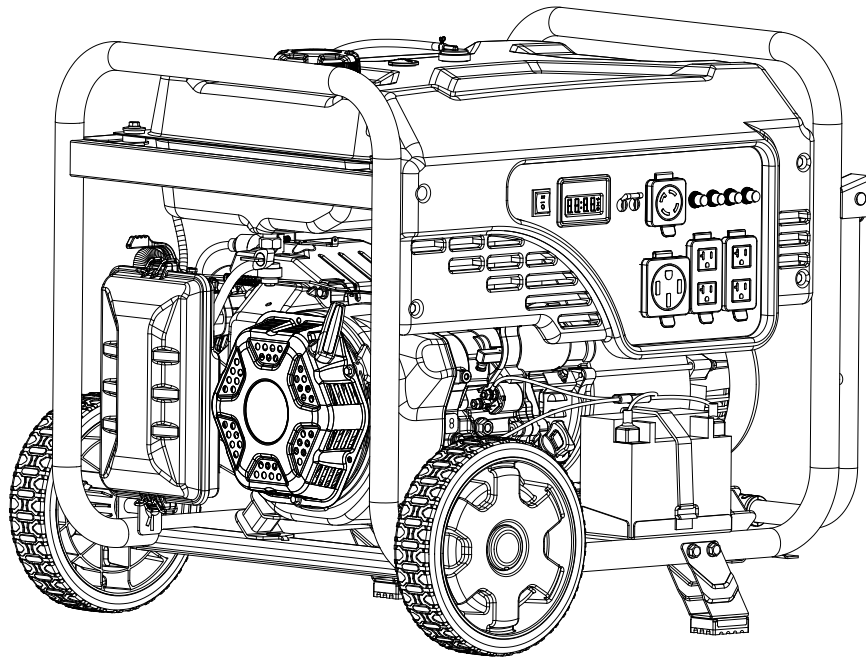




Champion Power Equipment, Inc., Santa Fe Springs, CA USA

MODEL #201043



PARTS INFORMATION

9500W ELECTRIC START GENERATOR

SERIAL NUMBER RANGE: 21JAN1000001-21SEP0200184



To order replacement parts please visit:
shop.championpowerequipment.com
or call **1-877-338-0999**.

TABLE OF CONTENTS

Generator Diagram	3
Generator Parts List	4
Engine Diagram	5
Engine Parts List	6
Cylinder Head Diagram	8
Cylinder Head Parts List	9
Carburetor Diagram	10
Carburetor Parts List	11
Alternator Diagram	12
Alternator Parts List	13
Fuel Tank Diagram	14
Fuel Tank Parts List	15
Control Panel Diagram	16
Control Panel Parts List	17
Frame Assembly Diagram	18
Frame Assembly Parts List	19
Wiring Diagram	20

GENERATOR DIAGRAM

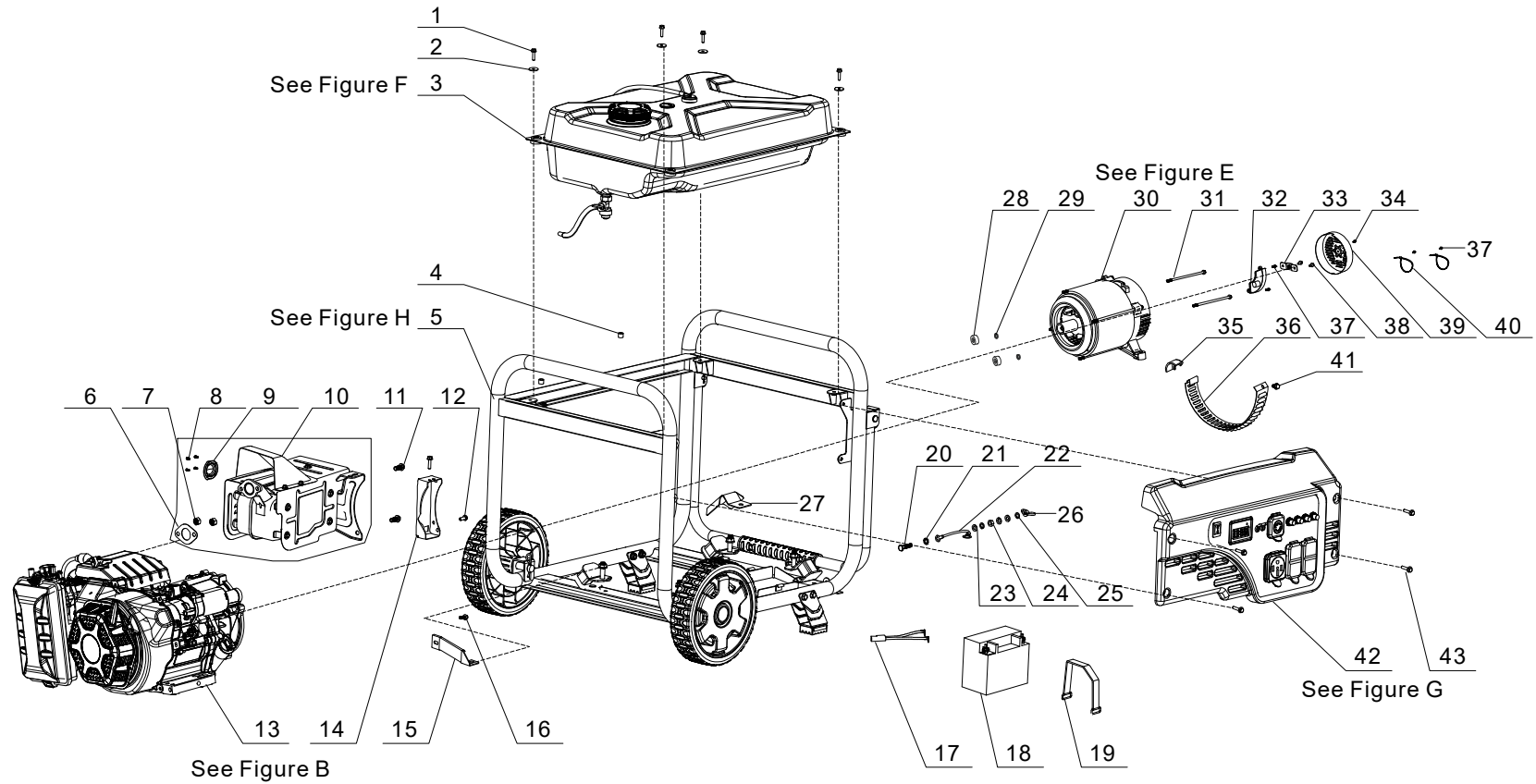


Figure A

GENERATOR PARTS LIST

#	Part Number	Description	Qty.
1	90007-0625-0301	Hexagon Flange Bolt, M6 x 25, Black Zinc	4
2	90408-Y020110-0005	Flat Washer, Ø6, Black Zinc	4
3	201043-YXZJ-F	Fuel Tank Assembly - See Figure F	1
4	90698-Y1Z0110-0002	Protective Rubber Sleeve	2
5	201043-JJZJ-H	Frame Assembly - See Figure H	1
6	18101-Y0D0110-00A0	Muffler Outlet Gasket	1
7	90303-0800-0301	Nut, M8, Black Zinc	2
8	90107-0510-53	Screws, ST4.8x9.5, Black Zinc	4
9	18250-YAA0110	Spark Arrestor	1
10	18100-YGM0210-H7A0	Muffler Assembly	1
11	90001-0816-0305	Hexagon Flange Bolt, M8 x 16, Black Zinc	2
12	90001-0816-0109	Hexagon Flange Bolt, M8 x 16, Blue White Zinc	2
13	R500DV000F3-CMP313	Engine Assembly - See Figure B	1
14	18030-Y730110-000C	Muffler Support White Zinc	1
15	17003-YJ70110-0100	Air Cleaner Support	1
16	90001-0612-0305	Flange Bolt, M6 x 12, Black Zinc	1
17	31112HYGM0110-0001	DC Wire Harness, Battery	1
18	31110-Y9X0110-0000	Battery, 12V/14Ahr	1
19	"31115-Y6D0110-0001"	Band, Battery, 246x20x3.5	1
20	90001-0625-0305	Hexagon Flange Bolt, M6 x 25, Black Zinc	1
21	90415-0600-Z301	Lock Washer, Toothed, Black Zinc	1
22	30009-YBE0110-0000	Grounding Wire	1
23	90408-0600-E305	Flat Washer, Black Zinc	3
24	90303-0600-3305	Hexagon Flange Nut, M6, Black Zinc	1
25	90403-0600-0305	Spring Washer, Black Zinc	2
26	90312-0600-0301	Wing Nut, M6, Black Zinc	1
27	24329-YGM0110-H2A0	Heat Shield	1
28	31317-Y030110-0000	Flange Nut, M5, Black Zinc	2
29	90403-0500-03	Spring Washer, Black Zinc	2
30	201043-DJZJ-E	Alternator Assembly - See Figure E	1

#	Part Number	Description	Qty.
31	31316HYDK0110-0000	Bolt, Stator, M5 x 235	2
32	30060-YGM0110-0000	AVR	1
33	51124-YJ70110-0100	Mounting Bracket, Blue White Zinc	1
34	90001-0510-0301	Flange Bolt, M5 x 10, Black Zinc	1
35	30023-YC20110-0000	Stopper, Engine Fan Vent	1
36	30024-Y730110-0001	Vent, Engine Fan	1
37	90001-0516-0105	Hexagon Flange Bolt, M5 x 16, Blue White Zinc	4
38	90001-0512-0901	Hexagon Flange Bolt, M5 x 12, Black Zinc	2
39	30022-YJ70110-L400	Cover, End Housing, PMS 109C	1
40	90727-Y020110-00A0	Band, 4x200	2
41	90001-0510-0105	Hexagon Flange Bolt, M5 x 10, Blue White Zinc	1
42	35610-YGM0210-H200	Panel Assembly - See Figure G	1
43	90001-0620-0305	Hexagon Flange Bolt, M6 x 20, Black Zinc	4

ENGINE DIAGRAM

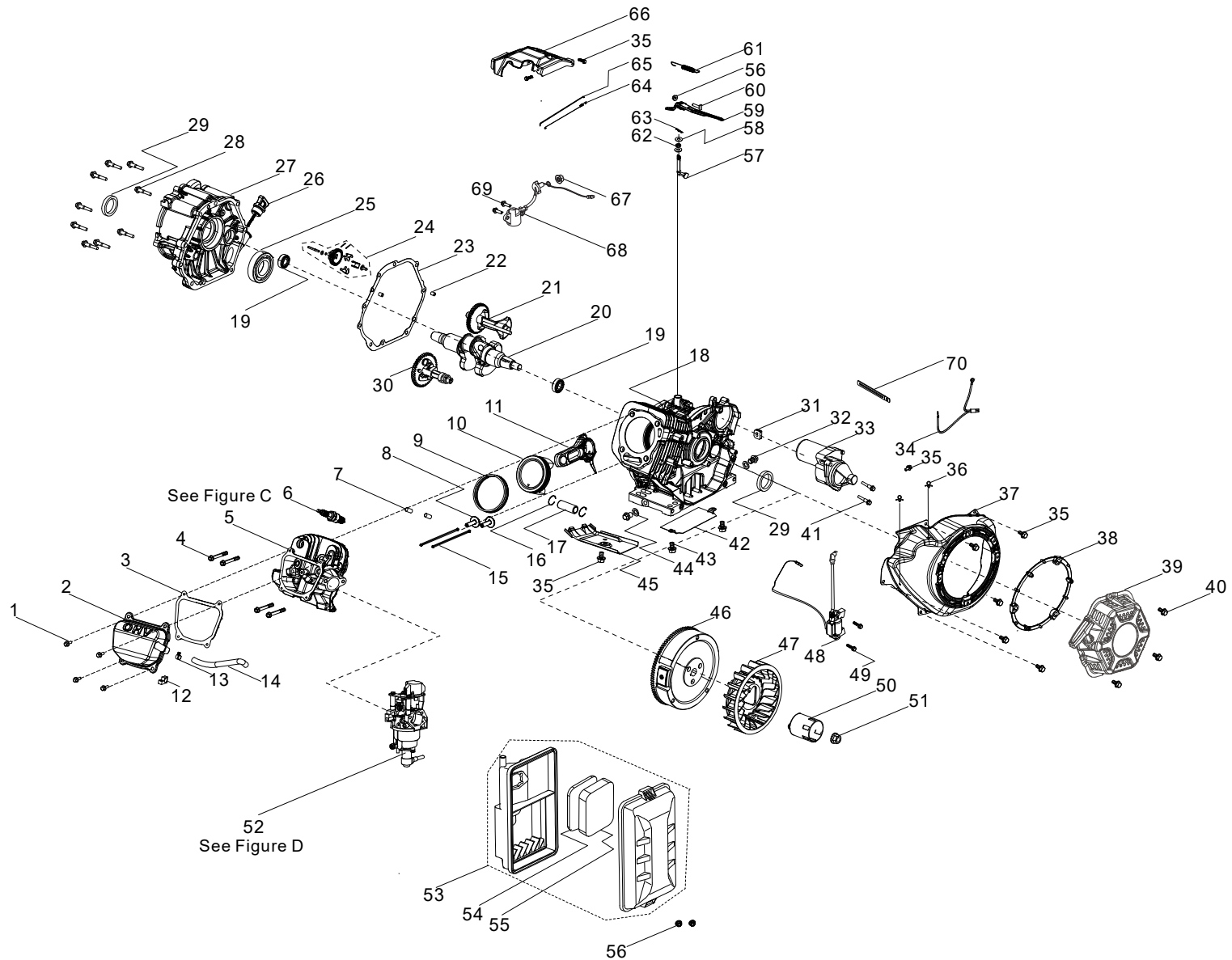


Figure B

ENGINE PARTS LIST

#	Part Number	Description	Qty.
1	90001-0612-0101	Hexagon Flange Bolt, M6 x 12, Blue White Zinc	4
2	12410-Z0D0110-01A0	Cylinder Head Cover, Blue White Zinc	1
3	12004-Z0J0510-0000	Cylinder Head Cover Gasket	1
4	12003-Z0N0110-0100	Cylinder Head Bolt, M10 x 85, Blue White Zinc	4
5	R500V-QGT-C000	Cylinder Head Assembly - See Figure C	1
6	30010-Z010110-00A0	Spark Plug, F6RTC	1
7	90502-1220-00	Pin, Ø12 x 20	2
8	14081-Z080110-0000	Valve Tappet	2
9	13200-Z0D0110-0009	Piston Ring Assembly	1
10	13111-Z0D0110-0009	Piston	1
11	13010-Z0D0110-00A0	Connecting Rod	1
12	90804-Y5Z0210-0001	Stop Block	1
13	90685-Z130210-0100	Clamp, Ø17 x 1.4	1
14	17004-Z0D0310-0000	Tube, BreatherØ, 12.5xØ17 x 115	1
15	14070-Z0D0110-0000	Valve Lifter	2
16	13122-Z100110-0000	Piston Pin Clip	2
17	13121-Z0D0110-0000	Piston Pin, Ø20.2 x 53.5	1
18	11310-Z0D0110-0BA0	Crankcase Subassembly	1
19	90548-0202-CL	Bearing	2
20	13300-Z0D0110-00A0	Crankshaft Assembly	1
21	13401-Z0D0110-0000	Balancing Shaft	1
22	90502-0812-00	Pin, Ø8 x 12	2
23	11001-Z0D0110-0000	Crankcase Gasket	1
24	16400-Z100110-0000	Governor Gear Assembly	1
25	90547-6208-00A1	Bearing	1
26	15010-Z0D0110-L400	Oil Dipstick	1
27	11411-Z0D0110-0B00	Crankcase Cover	1
28	90001-0840-03	Hexagon Flange Bolt, M8 x 40, Black Zinc	9
29	90682-Z0J0110-0001	Oil Seal, Ø52 x Ø40 x 9	2

#	Part Number	Description	Qty.
30	14200-Z0D0110-00A9	Camshaft Assembly	1
31	28101-Z080110-0001	Plug, Rubber	1
32	11007-Z080110-0300	Drain Plug Bolt, M12 x 18, Black Zinc	2
33	09100-Z170310-0100	Starter Motor	1
34	31114HYGM0110-0001	DC Wire Harness, Engine	1
35	90001-0612-03	Hexagon Flange Bolt, M6 x 12, Black Zinc	9
36	90684-Z030210-0001	Clip, Ø5.7	2
37	28110-Z710210-L401	Cover, Engine Fan, PMS 109C	1
38	28261-Z980110-0001	Retainer Ring, Recoil Starter	1
39	28200-Z590110-H200	Recoil Starter Assembly	1
40	90001-0620-03	Flange Bolt, M6 x 20, Black Zinc	3
41	90001-0835-0102	Hexagon Flange Bolt, M8 x 35, Blue White Zinc	2
42	19306-Z0D0110-0100	Air Deflector, Crankcase, Blue White Zinc	1
43	90001-0610-03	Hexagon Flange Bolt, M6 x 10, Black Zinc	2
44	90412-Z080110-0000	Washer, Ø21 x Ø12 x 2	2
45	19304-Z100210-0101	Cylinder Body Shroud	1
46	13510-Z0D0410-0000	Flywheel Subassembly	1
47	19352-Z100120-00A2	Engine Fan	1
48	30400-Z190210-00A0	Ignition Coil	1
49	90001-0628-01	Hexagon Flange Bolt, M6 x 28, Blue White Zinc	2
50	28002-Z0D0110-0000	Starter Pulley, Blue White Zinc	1
51	13501-Z080110-0000	Flywheel Nut, M16 x 1.5, Blue White Zinc	1
52	201043-HYQ-D	Carburetor Assembly - See Figure D	1
53	17100-Z0D0210-0000	Air Cleaner Assembly	1
54	17151-Z0D0210-0000	Element 1, Air Cleaner	1
55	17151-Z0D0310-0000	Element 2, Air Cleaner	1
56	90305-0600-3101	Flange Nut, M6, Black Zinc	3
57	16061-Z0D0110-0000	Governor Arm	1

#	Part Number	Description	Qty.
58	90412-Z080210-0000	Washer, Ø19.5 x Ø8.4 x 0.8	2
59	16070-Z100120-0001	Governor Support Subassembly, Blue White Zinc	1
60	16072-Z010110-0001	Governor Support Bolt, M6 x 21, Blue White Zinc	1
61	16063-Z0D0110-0100	Spring, Governor	1
62	90682-Z100210-0001	Oil Seal, Ø14 x Ø8 x 4	1
63	90501-Z010110-0001	Pin, Blue White Zinc	1
64	16012-Z080110-0000	Throttle Valve Returning Spring	1
65	16062-Z100110-0001	Governeor Rod, Blue White Zinc	1
66	16520-Z0D0110-0100	Air Guide, Engine Fan, Blue White Zinc	1
67	90305-Z010210-0101	Flange Nut, M10, Blue White Zinc	1
68	37060-Z080120-0000	Engine oil Sensor, W/O Nut	1
69	90001-0616-01	Flange Bolt, M6 x 16, Blue White Zinc	2
70	90684-Z030120-0001	Clip, Ø6 x 10.6 x 100	1

CYLINDER HEAD DIAGRAM

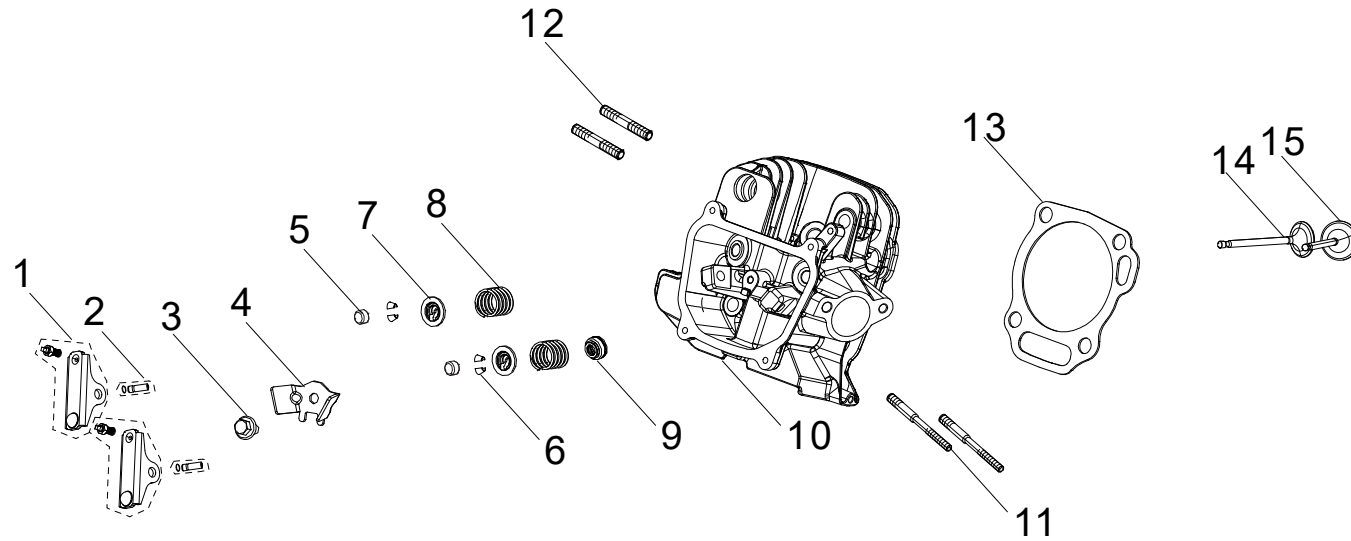


Figure C

CYLINDER HEAD PARTS LIST

#	Part Number	Description	Qty.
1	14310-Z0D0110-0000	Valve Rocker Arm	2
2	14318-Z990110-0000	Rocker Arm Shaft Assembly	2
3	90001-0612-03	Hexagon Flange Bolt, M6 x 12, Black Zinc	1
4	12419-Z950210-0000	Pin Limit Plate, Cylinder Head	1
5	12104-Z010110-0000	Lash Cap, Valve	2
6	12109-Z0D0110-00A0	Valve Lock Clamp, Ø5.5×Ø9	4
7	12112-Z0D0110-0000	Valve Spring Retainer	2
8	12103-Z990110-0000	Valve Spring	2
9	12101-Z020110-0000	Valve Seal Guide	1
10	12140-Z0D0210-0BA9	Cylinder Head	1
11	90204-Z100410-00A0	Stud, M6/M8 x 110, Black Zinc	2
12	90203-Z010110-0301	Stud, M8 x 34, Black Zinc	2
13	12131-Z0D0210-0000	Cylinder Head Gasket	1
14	12121-Z0D0210-0000	Exhaust Valve	1
15	12111-Z0D0210-0000	Intake Valve	1

CARBURETOR DIAGRAM

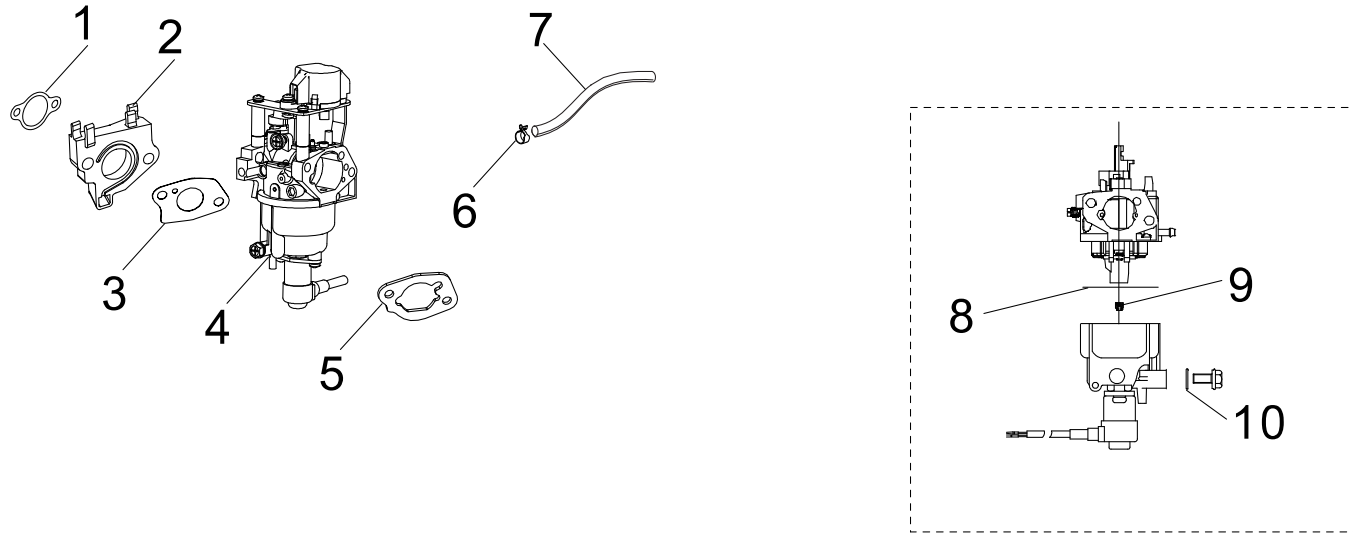


Figure D

CARBURETOR PARTS LIST

#	Part Number	Description	Qty.
1	17002-Z0D0110-0000	Gasket, Inlet	1
2	16003-Z0D0110-0001	Carburetor Insulator Plate	1
3	16001-Z100110-0000	Carburetor Gasket	1
4	16100-Z0D0610-00M0	Carburetor Assembly	1
5	17001-Z0D0110-0000	Air Cleaner Gasket	1
6	90685-Z030610-01A1	Clamp, Ø8 x 7 x 0.6	1
7	90686-Z510110-00M1	Fuel Pipe, Ø4.5 x Ø8.5 x 190	1
8	16112-Z080110-0000	Seal Ring, Float	1
9	16161-Z0C0110-00A0	Main Jet(H128×0.38), Standard	1
	16161-Z191210-00A2	Main Jet(H128×0.4), Altitude 3000-6000 Feet	/
	16161-Z100410-00A2	Main Jet(H128×0.42), Altitude 6000-8000 Feet	/
10	90681-Z010110-0000	Seal Ring	1

ALTERNATOR DIAGRAM

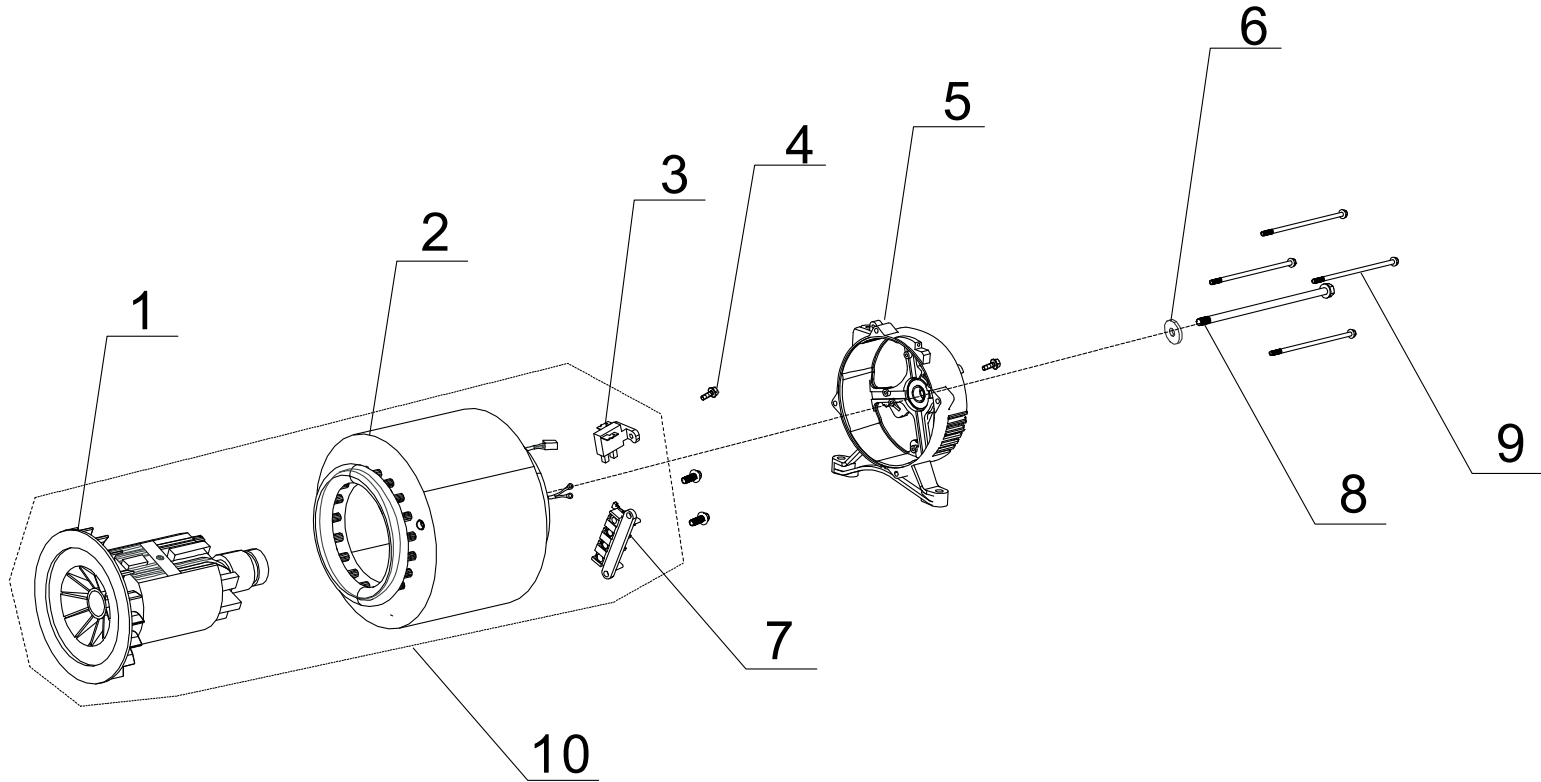


Figure E

ALTERNATOR PARTS LIST

#	Part Number	Description	Qty.
1	31330-YGM0110-0000	Rotor, AL, D204 x 158	1
2	31310-YGM0110-0000	Stator, AL, D204 x 158	1
3	31320-YGM0110-0000	Carbon Brush Assembly	1
4	90001-0516-0105	Hexagon Flange Bolt, M5 x 16, Blue White Zinc	4
5	30021-Y030310-0000	End Housing	1
6	90408-Y030110-0000	Flat Washer, Blue White Zinc	1
7	31303HY090110-0000	Terminal Block	1
8	30049-Y950110-0000	Bolt M10 x 285, Rotor, Blue White Zinc	1
9	30048-Y950110-0000	Bolt M6 x 199, Stator, Blue White Zinc	4
10	31300-YGM0210-0000	Alternator Assembly, AL, D204 x 158	1

FUEL TANK DIAGRAM

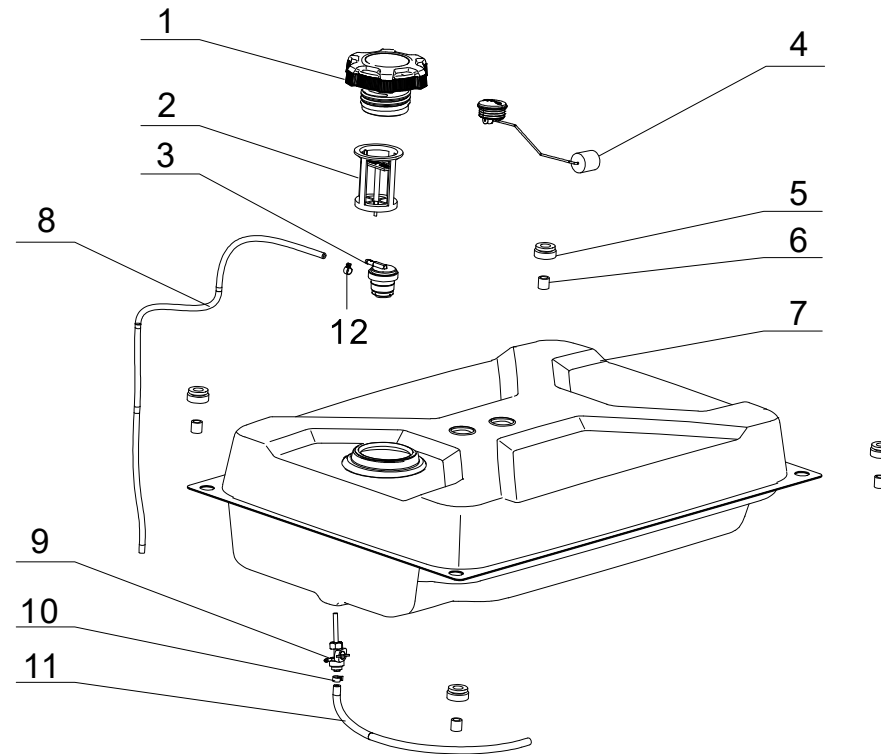


Figure F

FUEL TANK PARTS LIST

#	Part Number	Description	Qty.
1	16730-YGM0110-00A0	Fuel Tank Cap	1
2	16652-YGM0110-00A0	Fuel Filter	1
3	15150-YGK0110-00A0	One Way Valve	1
4	37200-YGM0110-00A0	Fuel Gauge	1
5	16601-Y020120-0001	Vibration Mount, Fuel Tank	4
6	90683-Y020110-0000	Bushing, White Zinc	4
7	16620-YGM0110-L4A0	Fuel Tank, 7.7 gal, PMS 109C	1
8	16804-YGM0110-0000	Connection Pipe, Ø4.5 x Ø8.5 x 860	1
9	16750-Y020211-0000	Fuel Valve Assembly	1
10	90685-Z030610-0300	Clamp, Ø8, Black Zinc	1
11	30431-YCM0310-0000	Rubber Sleeve, Ø9.5 x Ø11 x 150	1
12	90740-Z010610-00A1	Clamp, Ø9	1

CONTROL PANEL DIAGRAM

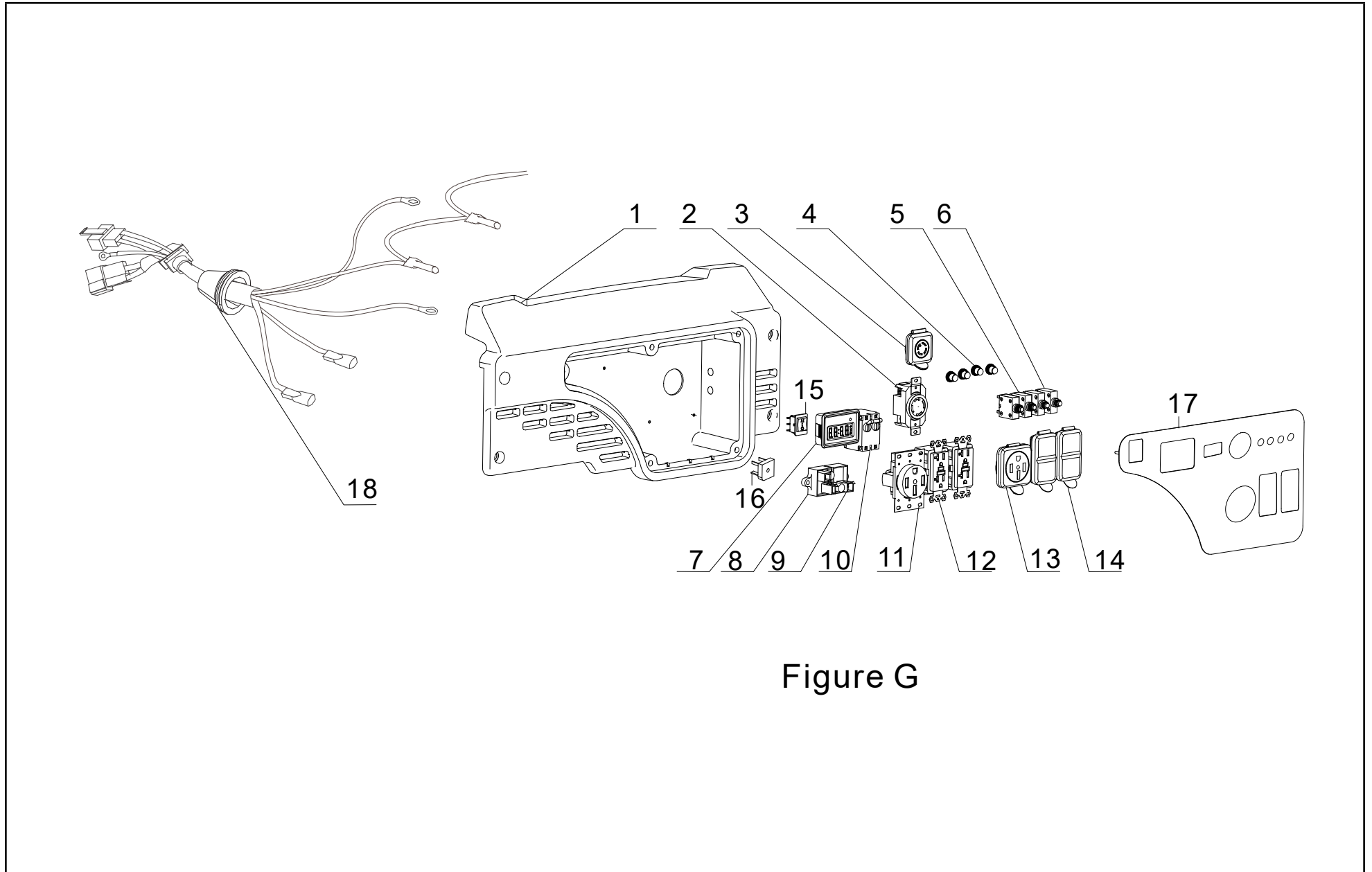


Figure G

CONTROL PANEL PARTS LIST

#	Part Number	Description	Qty.
1	35680-YGM0110-Q2A0	Housing, Control Panel	1
2	35614-Y4D0210-0000	L14-30R Receptacle, 30A, 125V	1
3	35654-YBE0210-0000	Receptacle Cover, L14-30R	1
4	35654-YGK0110-0000	Cover, Push Botton	4
5	31234-Y4D0110-0000	30 Amp Circuit Breaker, Push Botton	2
6	31234-YBE0210-0000	20 Amp Circuit Breaker, Push Botton	2
7	35632-YGM0310-0000	Display, INT1BOF	1
8	30007-Y9X0210-0000	Charging Module	1
9	30008-YGK0210-0000	OVF Module	1
10	35627-YGM0310-0000	39.5 Amp Circuit Breaker, 2P Flip	1
11	35614-Y4D0310-0000	14-50R Receptacle, 50A, 125V/250V	1
12	35614-Y9X0110-0000	5-20R GFCI Receptacle, 20A, 125V	2
13	35654-Y2T0210-0000	Receptacle Cover, 14-50R	1
14	35654-YBE0110-0000	Receptacle Cover, 5-20R	2
15	35160-Y7C0110-0000	Switch, Engine	1
16	35621-Y020110-0000	Bridge, Rectification	1
17	35650-YGM0210-H200	Control Panel	1
18	35660-YGM0210-00A0	Wiring Harness	1

FRAME ASSEMBLY DIAGRAM

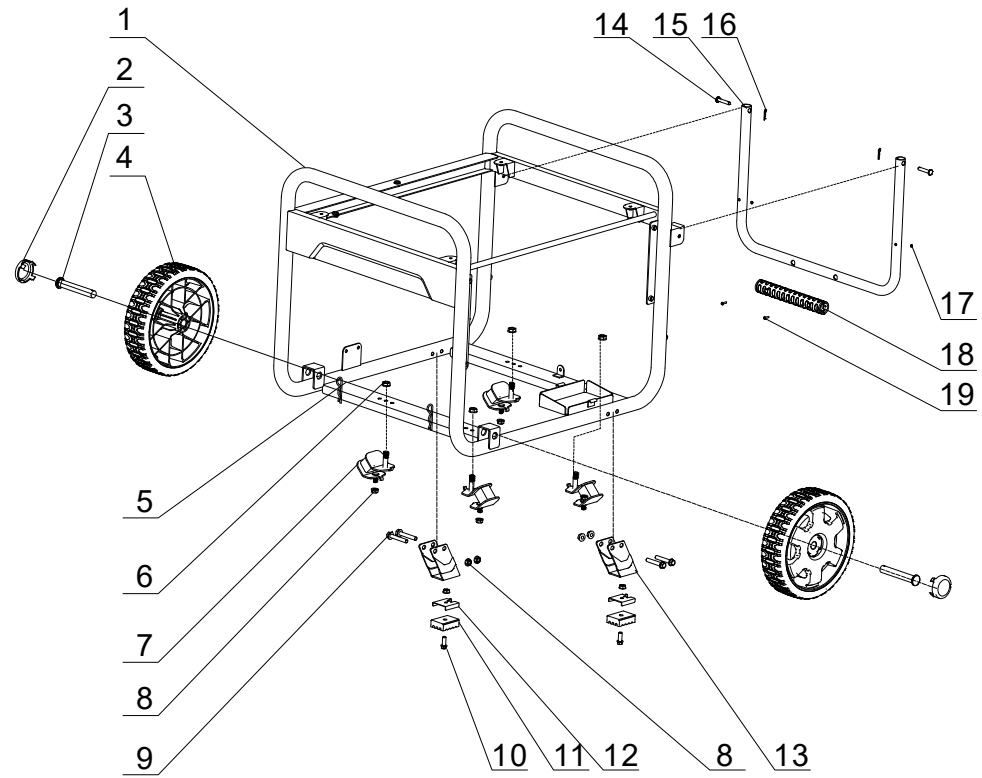


Figure H

FRAME ASSEMBLY PARTS LIST

#	Part Number	Description	Qty.
1	51100-YGM0210-H2A0	Frame Weldment, Ø32, 707 x 587 x 597	1
2	44001-V580110-L401	Cover, Wheel Hub, Yellow	2
3	44020-YGM0110-0300	Roll Pin, Black Zinc	2
4	44110-YGM0110-L400	Wheel, 9.5 in., Yellow	2
5	90501-Y2C0110-03A1	Pin, Black Zinc	2
6	90306-1000A0301	Flange Nut, M10, Black Zinc	4
7	51012HY030120-0000	Rear Vibration Mount, Frame	4
8	90305-0800-3305	Hexagon Flange Nut, M8, Black Zinc	8
9	90001-0850-0301	Hexagon Flange Bolt, M8 x 50, Black Zinc	4
10	90001-0612-0305	Hexagon Flange Bolt, M6 x 12, Black Zinc	2
11	51014-YJ70110-0000	Foot, Rubber	2
12	24329-YJ70110-H200	Bracket, Rubber Foot	2
13	51016-YJ70110-H2A0	Support Leg	2
14	90504-YGM0110-0300	Pin Shaft, Ø8 x 20, Black Zinc	2
15	54110-YGM0110-H2A0	Handle, Ø25 x 1.2	1
16	90583-YGK0110-03A0	R Pin, Ø2 x 38, Black Zinc	2
17	90722-YEC0110-0001	Plug, End	2
18	54101-YGM0110-L400	Handle Sheath	1
19	90103-0416-5301	Screw, M4 x 16, Black Zinc	2

WIRING DIAGRAM

