



Champion Power Equipment, Inc., Santa Fe Springs, CA USA

MODEL #201053

PARTS INFORMATION

4500W PORTABLE INVERTER GENERATOR

SERIAL NUMBER RANGE: ALL

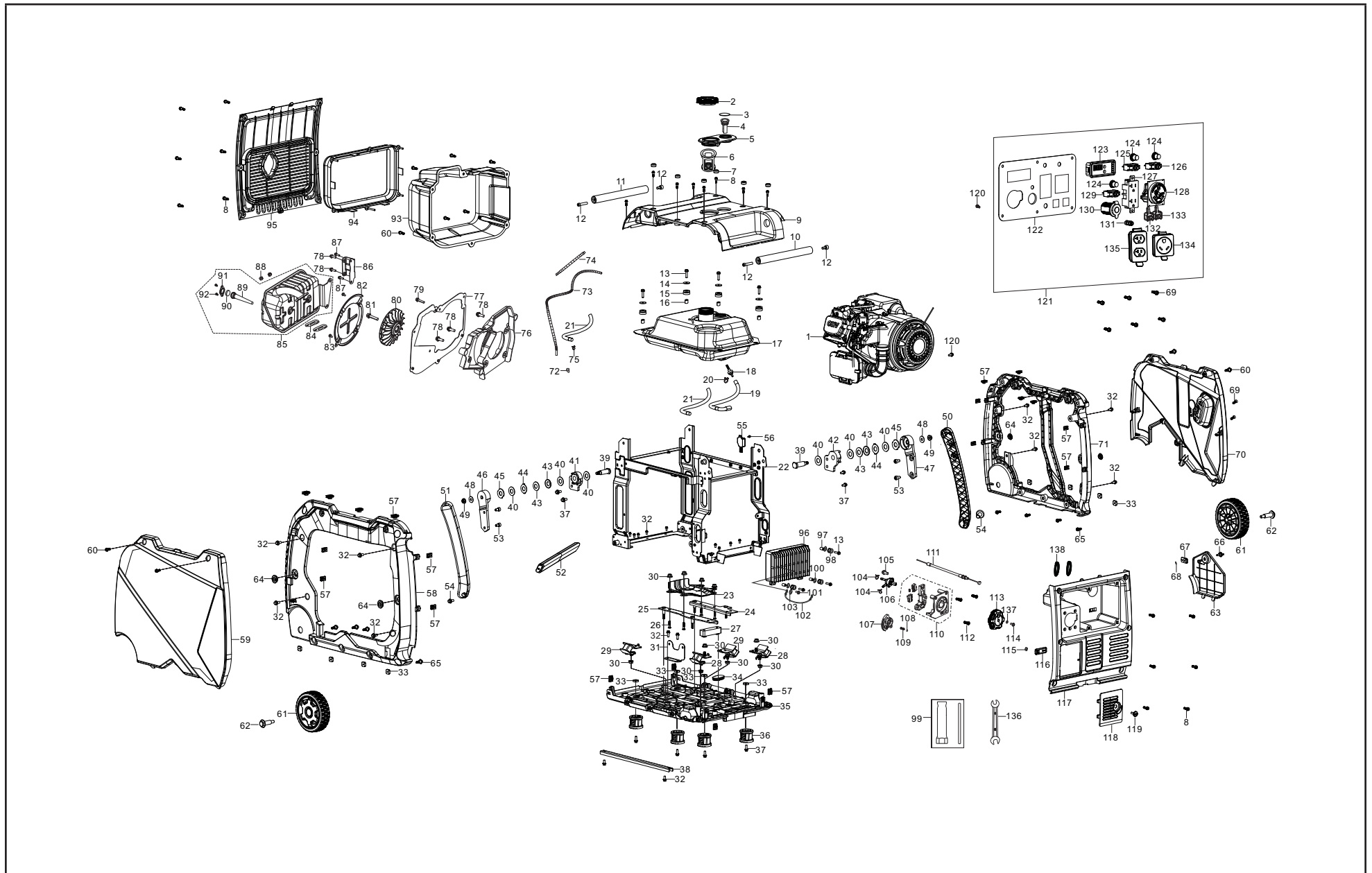


To order replacement parts please visit:
shop.championpowerequipment.com
or call **1-877-338-0999**.

TABLE OF CONTENTS

Inverter Generator Diagram	3
Inverter Generator Parts List	4
Engine Diagram	7
Engine Parts List	8
Wiring Diagram	10

INVERTER GENERATOR DIAGRAM



INVERTER GENERATOR PARTS LIST

#	Part Number	Description	Qty.
1	R210MVI00F3-CMP317	Engine, 212cc, R210-Vi	1
2	16730-YH30110-Q2A0	Fuel Tank Cap	1
3	37205-Y2V0310-00A1	Fuel Level View, Fuel Gauge	1
4	37200-Y5V0110-00A1	Fuel Gauge	1
5	16641-YBW0110-0001	Rubber Sleeve, Filling Fuel Hole	1
6	16652-Y9T0110-00A1	Fuel Filter	1
7	90722-YBW0110-0001	Plug 1, End	6
8	90208-YB00410-0000	Hexagonal Step Bolt, M5 x 16, 6.5mm, Black Zinc	20
9	94230HYBW0110-Q201	Cover, Upper	1
10	80153HYBW0110-H801	Handle 1, Ø28x273	1
11	80153HYBW0210-H801	Handle 2, Ø28x273	1
12	90115-0830-13A0	Hexagon Socket Bolt, M8 x 30, Black Zinc	4
13	90001-0625-01A1	Flange Bolt, M6 x 25, White Zinc	7
14	90408-Y020310-00A0	Flat Washer, White Zinc	4
15	16601-Y020120-0001	Vibration Mount, Fuel Tank	4
16	90683-Y020110-0000	Bushing, White Zinc	4
17	16620-YBW0111-H7A1	Fuel Tank, 8.5L	1
18	16680-Y2P0110-00A1	Fuel Tank Fuel Outlet Subassembly	1
19	90686-YBW0210-00M1	Fuel Pipe, Ø4.5 x Ø8.5 x 130	1
20	90685-D095-0EA0	Clamp, Ø9.5 x 0.8 x 8, Army Green Zinc	1
21	30431-Y020110-0001	Rubber Sleeve, Fuel Pipe	2
22	51100-YH30211-H7A0	Frame Assembly	1
23	19306-Z1D0110-0000	Air Deflector, Crankcase	1
24	51189HYBW0110-QCA0	Right Support, Engine	1
25	51188HYBW0110-QCA0	Left Support, Engine	1
26	90001-0840-01A1	Flange Bolt, M8 x 40, White Zinc	4
27	50035-YBW0110-0001	Bracket, Cushion Rubber	1
28	51009HY2P0110-0000	Vibration Mount, Left, Frame	2
29	51011HY2P0210-0000	Vibration Mount, Right, Frame	2

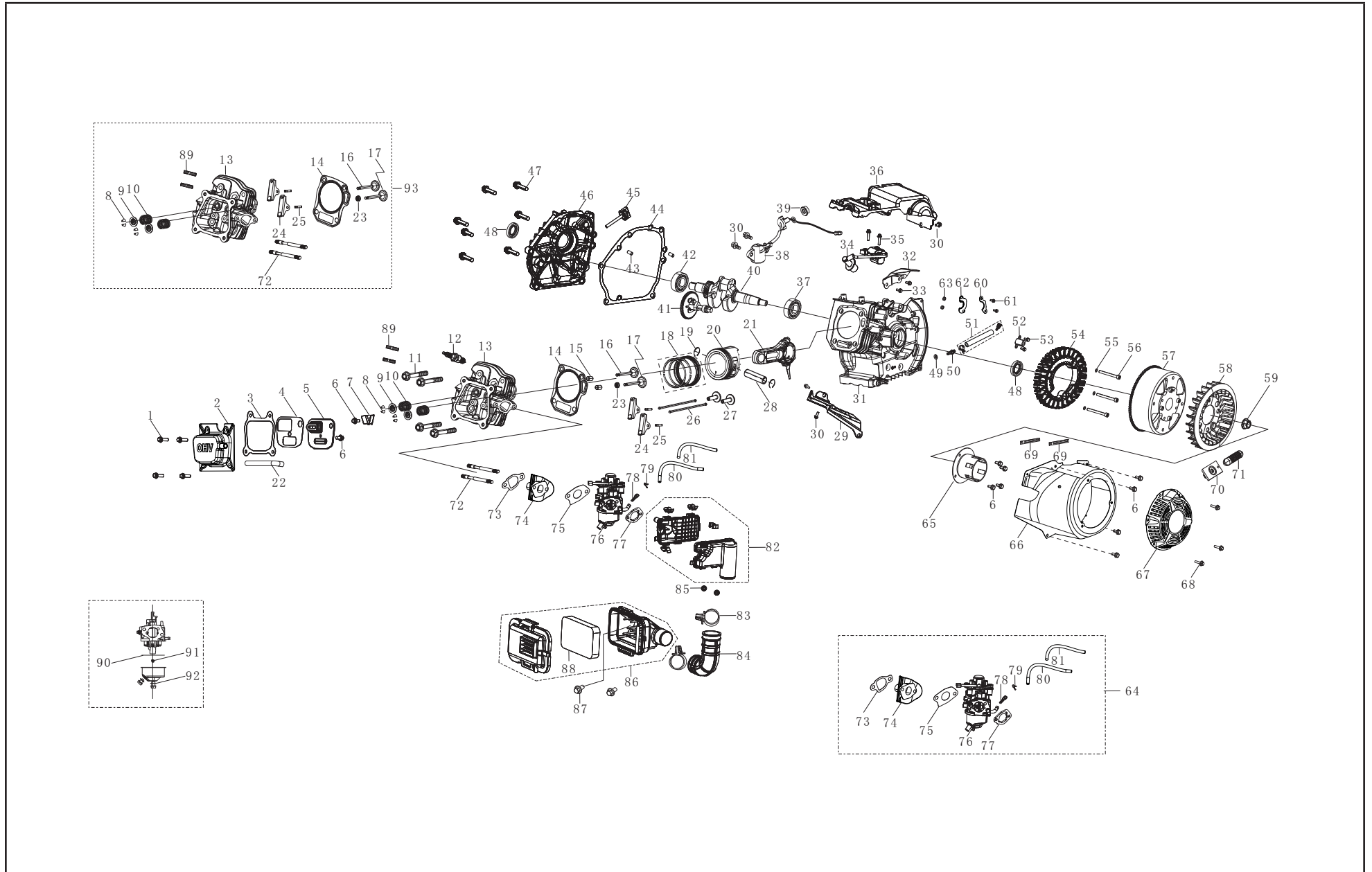
#	Part Number	Description	Qty.
30	90305-0800-31A0	Flange Nut M8, White Zinc	10
31	17003HYBW0110-H701	Support, Air Cleaner	1
32	90001-0612-01A1	Flange Bolt, M6 x 12, White Zinc	21
33	90326-Y2V0110-00A0	Square Nut M6, White Zinc	12
34	90722-Y2P0110-0001	Plug 2, End	1
35	51143HYBW0110-Q201	Bottom Plate	1
36	51014HYBW0110-0001	Support Leg	4
37	90001-0616-01A1	Flange Bolt, M6 x 16, White Zinc	8
38	51103-YBW0110-H701	Reinforcing Plate	1
39	26231-YBW0110-00A0	Shaft, Fixed Axis, Black Zinc	2
40	90412-YBW0210-01A0	Flat Washer, Ø13 x 25 x 1, White Zinc	6
41	54113-YBW0120-00A0	Left Seat 1, Handle Tube Connecting	1
42	54113-YBW0220-00A0	Right Seat 1, Handle Tube Connecting	1
43	90419-YBW0110-0300	Washer, Butterfly, Black Zinc	4
44	94101-YBW0110-01A0	Position Block, Ø12.5 x Ø25 x 1, White Zinc	2
45	90412-YBW0110-Q200	Flat Washer, Ø12.2 x 27 x 2	2
46	54122-YBW0110-H700	Left Seat 2, Handle Tube Connecting	1
47	54122-YBW0210-H700	Right Seat 2, Handle Tube Connecting	1
48	90408-Y840210-00A0	Flat Washer, Ø18 x 6.5 x 1.5, White Zinc	2
49	90341-Y2D0210-00A0	Nylon Nut, M6, Blue White Zinc	2
50	54912HYBW0211-Q201	Rotating Arm, Right	1
51	54912HYBW0111-Q201	Rotating Arm, Left	1
52	54913-YBW0110-0P00	Rotating Bar	1
53	90001-0610-03A0	Hexagon Flange Bolt, M6 x 10, Black Zinc	4
54	90001-0612-03A0	Hexagon Flange Bolt, M6 x 12, Black Zinc	2
55	30060-YHV0110-0000	AVR	1
56	90001-0616-03A0	Flange Bolt, M6 x 16, Black Zinc	1
57	17199-YB00110-00A0	Clip Nut, M5, White Zinc	20
58	80091HYBW0110-Q201	Left Housing	1
59	80092HYHV0510-L400	Cover Board, Left	1

#	Part Number	Description	Qty.
60	90208-YB00210-0000	Hexagonal Step Bolt, M5 x 12, Black Zinc	10
61	44110HYH30110-L401	5in. Wheel, Yellow	2
62	42002-YH30110-0300	Roll Pin, Black Zinc	2
63	51197HYH30110-L401	Side Access Panel, Service	1
64	16601-Y2V0210-0001	Vibration Mount 2, Fuel Tank	4
65	90208-YB00110-0000	Hexagonal Step Bolt, M6 x 20, Black Zinc	8
66	80105-YB00110-Q201	Knob, Side Access Panel, Service	1
67	24329-Y9T0120-Q201	Block 1	1
68	37073-Y2V0110-00A0	Clip, Spring	1
69	90255-0512-53A0	Cross Recess Pan Head Screw & Washer Assembly, M5x12 Black Zinc	8
70	80096HYHV0510-L400	Cover Board, Right	1
71	80095HYBW0110-Q201	Right Housing	1
72	90804-Y5Z0210-0001	Stop Block	1
73	16804-YG80110-0001	Connection Pipe, Ø4.5 x Ø8.5 x 357.5	1
74	30431-YBW0210-0001	Rubber Sleeve, Ø10 x Ø11 x 180	1
75	90685-D105-0EAO	Clamp, Ø10.5 x 8 x 0.8	1
76	28110HYBW0111-Q200	Shroud	1
77	18299HYBW0121-0000	Bracket, Muffler Guard	1
78	90001-0816-01A0	Flange Bolt, M8 x 16, Blue White Zinc	5
79	90007-0635-A1A0	Flange Bolt, M6 x 35, Blue White Zinc	1
80	19352HYBW0110-Q2A0	Cooling Fan	1
81	90001-0820-01A0	Flange Bolt, M8 x 20, Blue White Zinc	1
82	18020-YBW0110-0000	Insulating Plate, Muffler	1
83	90134-YB00110-0000	Bolt M5 x 12, Black Zinc	2
84	18001-Z950110-00A0	Gasket, Exhaust Outlet	2
85	18100-YBW0111-00A0	Muffler Assembly	1
86	18030HYBW0110-H300	Muffler Bracket	1
87	90007-0612-A1A0	Flange Bolt, M6 x 12, Blue White Zinc	2
88	90303-0800-31A0	Flange Nut M8, Blue White Zinc	2
89	18250-Z800210-0000	Spark Arrestor	1
90	18218-Z800210-0000	Muffler Screen	1

#	Part Number	Description	Qty.
91	18213-Z800310-0000	Cover Plate, Spark Arrestor	1
92	18012-Z800310-0000	Bolt M5 x 10, Spark Arrestor	2
93	18130HYBW0110-Q201	Muffler Guard	1
94	18018-Y2P0120-0001	Insulator Glue Cushion, Muffler	1
95	18002HYBW0110-Q201	Louver, Muffler	1
96	30043-YH30110-0000	Inverter	1
97	90683-Y2P0210-0000	Bushing, Ø6.5 x 10.5 x 16	3
98	30431-Y2P0110-0001	Rubber Sleeve	3
99	93130-Z010410-0100	Spark Plug Socket	1
100	90406-0600-E1A0	Flat Washer, Ø6, White Zinc	3
101	90005-0408-00	Screw, M4 x 8, White Zinc	1
102	30009-YH30110-0000	Grounding Wire	1
103	90408-0500-E1A0	Flat Washer, Ø5, Blue White Zinc	1
104	90685-D080-0EAO	Clamp, Ø8 x 7 x 0.6	2
105	90001-0614-01A1	Hexagon Flange Bolt, M6 x 14, Blue White Zinc	1
106	16750-Y2V0210-00A0	Fuel Valve Assembly	1
107	94111-Y2V0410-00A1	Cover Board	1
108	90543-0500-00A0	Ball, Steel	1
109	16527-Y2V0210-0000	Spring, Stopper Adjusting	1
110	35160-YHV0110-0000	Switch Dial, Engine	1
111	16080-YBW0110-0000	Handle Subassembly, Choke	1
112	90129-0416-01A0	Cross Recess Countersunk Head Tapping Screw, White Zinc	3
113	35643HYH30110-Q2A1	Knob, Switch Dial, Engine	1
114	90103-0416-51A0	Screw, M4 x 16	1
115	90341-YA50110-0000	Nylon Nut, M5, Black Zinc	1
116	24329-YCF0110-Q201	Block 2	1
117	35680HYBW0110-Q201	Seat, Panel	1
118	31123HYBW0110-Q201	Maintenance Cover, Battery	1
119	90208-Y9T0120-0000	Hexagonal Step Bolt, M5 x 16, 6mm	1
120	90001-0610-01A1	Flange Bolt, M6 x 10, White Zinc	2
121	35610-YHV0310-H200	Control Panel Assembly	1

#	Part Number	Description	Qty.
122	35650-YHV0310-H200	Control Panel	1
123	35632-YHV0110-0000	Intelligauge, INT5AINV	1
124	35654-YGK0110-0000	Cover, Push Button	3
125	31234-YBE0210-0000	20A Circuit Breaker, Push Button	1
126	31234-YGK0110-0000	30A Circuit Breaker, Push Button	1
127	35614-Y730110-0000	5-20R Receptacle, 20A, 125V, Duplex	1
128	35614-Y2D0110-0000	TT-30R Receptacle, 30A, 125V	1
129	31234-YBE0110-0000	Circuit Breaker, Push Button	1
130	35619-Y110110-0000	Automotive Receptacle, 12V DC	1
131	35629-Y090110-0000	Grounding Terminal, Black Zinc	1
132	35614-YH30310-0000	"Wireless Parallel, Red"	1
133	35614-YH30410-0000	Wireless Parallel, Black	1
134	35654-YGK0710-0000	Receptacle Cover, TT-30R	1
135	35654-YGK0410-0000	Receptacle Cover, 5-20R	1
136	93107-Y920210-0100	Wrench, 8 - 10mm	1
137	90408-0400-E1A0	Flat Washer	1
138	30431-Y2V0310-0001	Rubber Sheeth	2

ENGINE DIAGRAM



ENGINE PARTS LIST

#	Part Number	Description	Qty.
1	90001-0620-01A0	Hexagon Flange Bolt, M6 x 20, White Zinc	4
2	12410-Z1D0111-00A0	Cylinder Head Cover Subassembly	1
3	12004-Z1D0110-0000	Cylinder Head Cover Gasket	1
4	11332-Z1D0110-0000	Gasket, Breather Groove Cover	1
5	11320-Z1D0110-00A0	Piece, Breather	1
6	90001-0612-01A0	Hexagon Flange Bolt, M6 x 12, White Zinc	10
7	12419-Z950311-00A0	Pin Plate, Cylinder Head Cover	1
8	12109-Z810110-00A0	Valve Lock Clamp	4
9	12112-Z810210-00A0	Valve Spring Retainer	2
10	12103-Z010110-00A0	Valve Spring	2
11	12003-Z010110-00A0	Cylinder Head Bolt, M8 x 60, White Zinc	4
12	30010-Z010110-00A0	Spark Plug, F6RTC	1
13	12140-Z950310-00A0	Cylinder Head Subassembly	1
14	12131-Z950210-0000	Cylinder Head Gasket	1
15	90502-1114-00A0	Pin, 11 x 14	2
16	12121-Z950110-00A0	Exhaust Valve	1
17	12111-Z950110-00A0	Inlet Valve	1
18	13200-Z140210-00A9	Piston Ring Assembly	1
19	13122-Z010110-00A0	Piston Pin Clip	2
20	13111-Z950120-00A0	Piston	1
21	13010-Z950110-00A0	Connecting Rod	1
22	17004-Z1D0110-00A0	Tube, Breather	1
23	12101-Z810210-00A0	Seal Guide	1
24	14310-Z950110-00A0	Valve Rocker Subassembly	2
25	14318-Z950110-00A0	Valve Rocker Shaft Subassembly	2
26	14071-Z950110-00A0	Valve Lifter	2
27	14081-Z040110-00A0	Valve Tappet	2
28	13121-Z010110-00A0	Piston Pin, Ø18 x Ø54	1
29	19309-Z1D0110-00A0	Right Shield, Crankcase	1
30	90001-0616-01A0	Hexagon Flange Bolt, M6 x 16, White Zinc	5

#	Part Number	Description	Qty.
31	11310-Z1D0110-00A9	Crankcase Subassembly	1
32	28118-Z1D0110-0000	Wind Block	1
33	90001-0616-01A0	Flange Bolt, M6 x 16, White Zinc	2
34	30400-Z1D0310-0000	Ignition Coil	1
	S/N<21MAR1300265		
	30400-Z1D0311-0000		
	S/N≥21MAR1300265		
35	90001-0628-01A0	Hexagon Flange Bolt, M6 x 28, White Zinc	2
36	16675-Z1D0112-00A0	Shield	1
37	90547-6305-00A1	Bearing, 6305, P5C3	1
38	37060-Z1D0111-0000	Engine oil Sensor, W/O Nut	1
	S/N<21MAR1300265		
	37060-Z1D0112-0000		
	S/N≥21MAR1300265		
39	90305-Z010210-01A0	Flange Nut, M10	1
40	13300-Z1D0110-00A0	Crankshaft Assembly	1
41	14200-Z1D0110-00A9	Camshaft Assembly	1
42	90547-0205-00A0	Bearing, 6205, P53	1
43	90502-0812-00A0	Pin, 8 x 12	2
44	11001-Z010120-0000	Crankcase Gasket	1
45	15010-Z010130-Q200	Oil Dipstick Subassembly	1
46	11411-Z1D0110-00A0	Crankcase Cover	1
47	90001-0832-01A0	Flange Bolt, M8 x 32, Blue White Zinc	6
48	90682-Z010110-00A0	Oil Seal, Ø25 x Ø41.25 x 6	2
49	90408-Z010510-00A0	Flat Washer, Ø10 x Ø15.8 x 1.5	1
50	90689-Z430211-0000	Joint, Fuel Pipe	1
51	11011HZ1D0210-L4A0	Oil Drain Hose	1

#	Part Number	Description	Qty.
52	30130-Z1D0110-0000	Trigger	1
	S/N<21MAR1300265		
	30130-Z1D0310-0000		
	S/N≥21MAR1300265		
53	90001-0516-01A0	Flange Bolt, M5 x 16, Blue White Zinc	2
54	30120-YH30210-0000	Stator Component, Ø152 x 38	1
55	90408-0600-E1A0	Washer, Ø6, Blue White Zinc	3
56	90102-0660-06A0	Hexagon Socket Cap Screw, M6 x 60	3
57	30110-YHV0110-0000	Rotor Component	1
58	19352-Z1D0110-00A0	Impeller	1
59	13501-Z010110-00A0	Flywheel Nut, M14 x 1.5, White Zinc	1
60	30002-Z1D0110-0000	Magneto Wiring Clamp	1
61	90001-0520-01A0	Hexagon Flange Bolt, M5 x 20, White Zinc	2
62	54066-YE50110-0900	Wiring Clamp	1
63	90305-0500-31	Hexagon Flange Nut, M5, White Zinc	2
64	96003-ZSS0W10-0000	Carburetor Subassembly	1
65	28002-Z1D0210-0000	Starter Pulley	1
66	28110-Z1D0110-H600	Shroud	1
67	28200-Z1D0110-H600	Recoil Starter Assembly	1
68	90251-0608-03	Bolts and Washer	3
69	90684-Z030120-0000	Clip, 100 mm	2
70	28004-YHX0110-Q200	Guide Plate, Starter Rope	1
71	28210-YEB0110-L400	Handle, Starter Rope	1
72	90207-Z330210-0000	Stud, M6 x 105, Black Zinc	2
73	16002-Z950110-0000	Carburetor Insulator Gasket	1
74	16003-Z1D0110-00A0	Carburetor Insulator Plate	1
75	16001-Z010110-0000	Carburetor Gasket	1
76	16100-Z1D0410-00A0	Carburetor Assembly	1
77	17001-Z1D0110-0000	Air Cleaner Gasket	1
78	16652-Z800110-00A0	Fuel Filter	1
79	90685-D090-0EA0	Clamp, Ø9 x Ø0.8 x 8Ø	1
80	90686-YBW0310-00M0	Fuel Pipe, Ø4.5 x Ø8.5 x 240	1

#	Part Number	Description	Qty.
81	30431-YBW0210-0000	Rubber Sleeve, Ø10 x Ø11 x 180	1
82	17400-Z1D0112-0000	Air Cleaner, Auxiliary	1
83	12081-Z1D0110-0000	Clamp	2
84	12510-Z1D0110-0001	Inlet Pipe	1
85	90305-0600-31A0	Hexagon Flange Nut, M6, White Zinc	2
86	17100-Z1D0112-0001	Air Cleaner	1
87	90001-0625-01	Hexagon Flange Bolt, M6 x 25, White Zinc	2
88	17151-Z1D0110-0000	Element, Air Cleaner	1
89	90203-Z010110-0000	Stud, M8 x 34, Black Zinc	2
90	16112-Z010110-0000	Seal Ring, Float	1
91	16161-Z090510-00A0	Main Jet	1
	16161-Z090410-00A0	Main Jet, Altitude 3000-6000 Feet	/
	16161-Z140310-00A0	Main Jet, Altitude 6000-8000 Feet	/
92	90681-Z010610-0000	Seal Ring	1
93	96003-ZSS6110-0000	"Cylinder Head Subassembly"	1

WIRING DIAGRAM

