



Champion Power Equipment, Inc., Santa Fe Springs, CA USA

MODEL #100680

PARTS INFORMATION

27 IN. 2-STAGE SNOWBLOWER

SERIAL NUMBER RANGE: ALL



To order replacement parts please visit:
shop.championpowerequipment.com
or call **1-877-338-0999**.

TABLE OF CONTENTS

Snowblower Diagram	3
Snowblower Parts List	4
Engine Assembly Diagram	5
Engine Assembly Parts List	6
Engine Diagram	7
Engine Parts List	8
Drivetrain Diagram	11
Drivetrain Parts List	12
Auger Diagram	13
Auger Parts List	14
Chute Diagram	15
Chute Parts List	16

SNOWBLOWER DIAGRAM

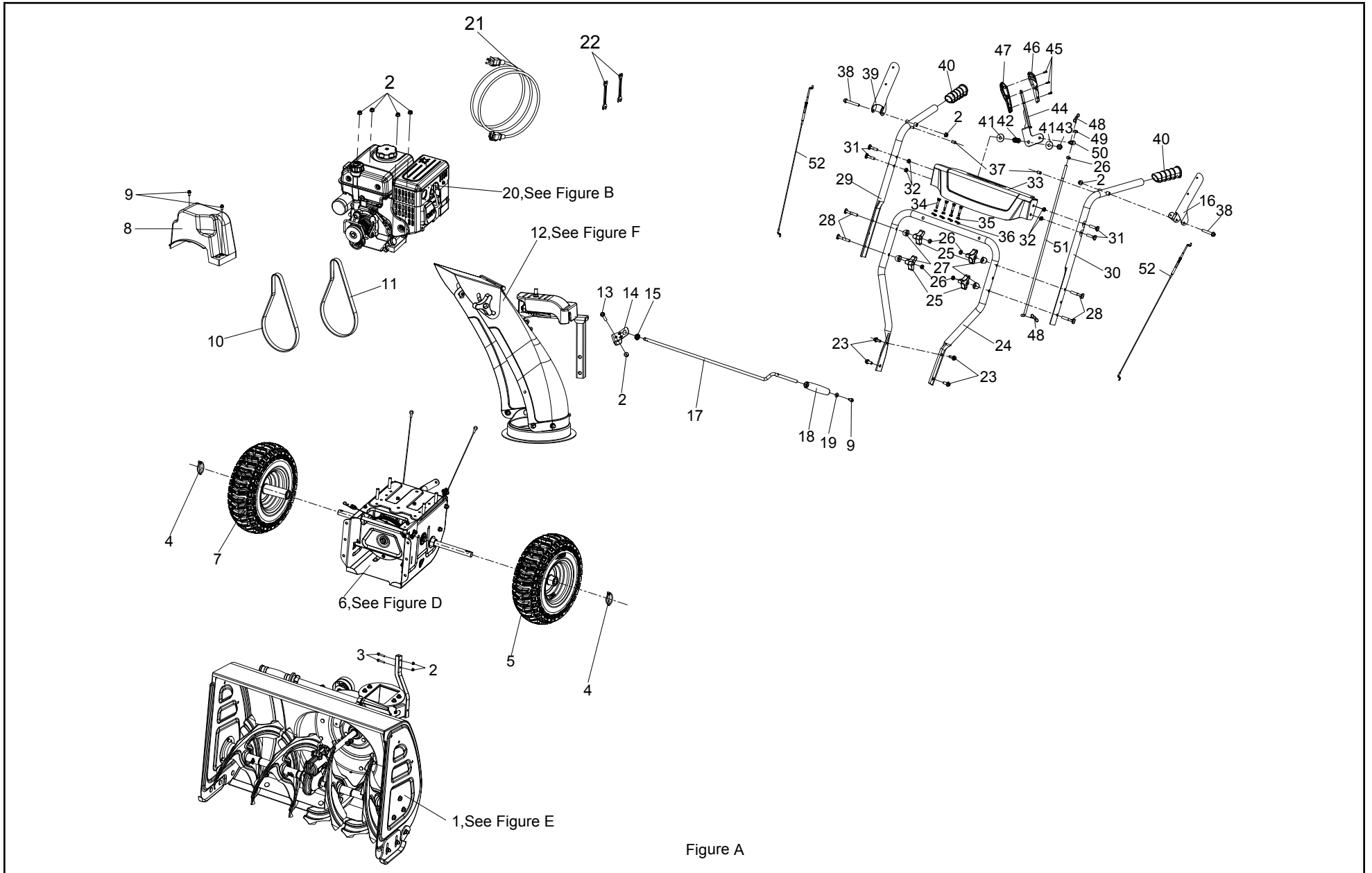


Figure A

SNOWBLOWER PARTS LIST

#	Part Number	Description	Qty.
1	Figure E	Auger Assembly	1
2	30323060035000	Flange Locking Nut, M8, All Metal Hexagon, Blue White Zinc	9
3	3091307023	Hexagon Flange Bolt, M8 × 40, Blue White Zinc	2
4	23093000145000A	O Type Elastic Pin, Ø6.2 × 40, Blue White Zinc	2
5	23016000040034A	Left Wheel Assembly	1
6	Figure D	Drivetrain Assembly	1
7	23016000060034A	Right Wheel Assembly	1
8	23031000020001A	Belt Protection Cover, Black	1
9	30913070015000	Hexagon Flange Bolt, M6 × 16, Blue White Zinc	3
10	23096000035000A	Triangle Belt, 4LXA930E	1
11	23096000045000A	Synchronous Belt, 800-5M15	1
12	Figure F	Chute Assembly	1
13	30913070065000	Hexagon Flange Bolt, M8 × 45, Blue White Zinc	1
14	23062000495000B	Rocker Bracket, THK=2,76 × 32 × 30, Black	1
15	23066000015000A	Rocker Sleeve, Black	1
16	23062000150001B	Left Trigger, Black	1
17	23063000305000B	Rocker, Ø10 × 875, Black	1
18	23061000220001B	Rocker Sheath, Ø10.5, Black	1
19	23092000015000A	Adjusting Washer, Ø6.1 × Ø15 × 1.6, Black	1
20	Figure B	Engine Assembly	1
21	23089000035000A	AC Start Line, 1830mm	1
22	20121000315000A	Open End Wrenches, 10-12 mm, White Zinc	2
23	30913070185000	Hexagon Flange Bolt, M8 × 20, Blue White Zinc	4
24	23063000600001A	Lower Handle, Black	1
25	21061000400001A	Rotating Knob, Black	4
26	30313060025000	Hexagon Nut, M8, Blue White Zinc	5
27	21061000113206A	Curved Washer, Black	4

#	Part Number	Description	Qty.
28	23099000035000A	Flat Head Bolt, M8 × 52, White Zinc	4
29	23063000570001A	Right Upper Handle Assembly, Black	1
30	23063000580001A	Left Upper Handle Assembly, Black	1
31	23099000025000A	Flat Head Bolt, M8 × 35, White Zinc	4
32	30333040045000	Serrated Anti-Slip And Anti-Loose Hexagon Flange Nut, M8, Blue White Zinc	4
33	23043000020001A	Handle Panel Assembly, Black	1
34	23093000025000A	Shear Pin, Ø6 × 35.5, Blue White Zinc	4
35	23096000055000A	Rubber Sheath, Ø10.7 × Ø6 × 5.1, Black	4
36	23093000195000B	B Pin, White Zinc	4
37	23096000015000A	Rubber Sheath	2
38	23093000185000A	Special Bolt, M8 × 55, White Zinc	2
39	23062000160001B	Right Trigger, Black	1
40	23061000140001C	Handle Sheath, PVC, Black	2
41	30512050045000	Big Washer, Ø10, Blue White Zinc	2
42	23068000135000B	Gear Pressing Spring, Ø14.5 × 33.75, White Zinc	1
43	23093000125000A	Hexagon Locking Nut, M10, Blue White Zinc	1
44	23065000195000A	Speed Adjustment Handle, 229 × 90 × 29, Black	1
45	30113010115000	Self-Driving Screw, ST3 × 12, Black Zinc	3
46	23061000150001B	Gear Handle, Left, Black	1
47	23061000160001B	Gear Handle, Right, Black	1
48	22698000065000A	B Pin, White Zinc	2
49	30313090025000	Hexagon Locking Nut, M8, White Zinc	1
50	23063000215000A	Column, Gear Connecting Rod, White Zinc	1
51	23063000195000C	Gear Connecting Rod, 547 × M8, Black	1
52	23068000045000A	Snow Throwing Cable 1, 425mm	2

ENGINE ASSEMBLY DIAGRAM

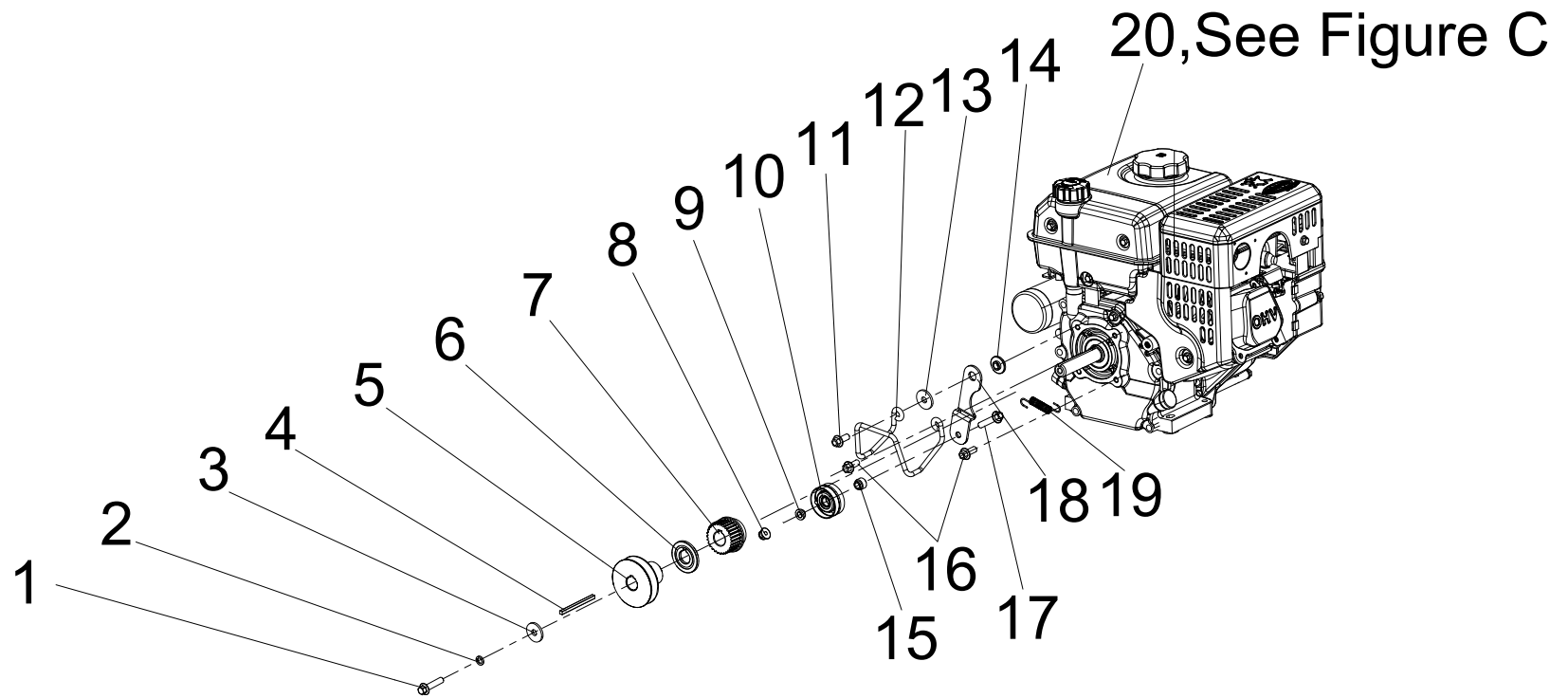


Figure B

ENGINE ASSEMBLY PARTS LIST

#	Part Number	Description	Qty.
1	3091308004	Hexagon Flange Bolt,M8x30,Blue White Zinc	1
2	A26800800202	Spring Washer,Ø8,Black Zinc	1
3	23032000335000A	Thickened Big Washer, Ø8.2 x Ø30 x 3.7, White Zinc	1
4	23093000165000A	Flat Key,6x6x15, Black	1
5	23034000745000B	Small Triangle Belt Pulley , Ø25xØ72.5x51, Black	1
6	2303400005A	Small Synchronous Pulley Side Plate	1
7	23034000725000A	Small Synchronous Pulley	1
8	30323060035000	Flange Locking Nut, M8, All Metal Hexagon, Blue White Zinc	1
9	23034000265000A	Shaft Sheath, Small Tension Pulley, Ø8 x Ø15 x 6.1	1
10	23032000115000A	Small Tension Pulley Assembly, Ø45 x 19.4	1
11	23093000205000A	Hexagon Flange Bolt, 30mm, 5/16" (24UNF-2A)	1
12	23033000075008B	Belt Lever, Ø6, Black	1
13	30512050045000	Big Washer, Ø10, Blue White Zinc	1
14	2303400059A	Small Tensioning Plate Cushion, 308x8	1
15	23034000275000B	Shaft Sheath, Small Tension Pulley, Ø8 x Ø15 x 11.5	1
16	23093000175000A	Hexagon Flange Bolt, 20mm, 5/16" (24UNF-2A)	2
17	3093301002	Small Carriage Bolt, M8 x 35, Blue White Zinc	1
18	2303200117A	Small Tensioning Plate,108.5x46.7, Black	1
19	23098000025000A	Small Tension Pulley Spring, Ø1.4xØ9x61, White Zinc	1
20	2030100214A	Engine,301CC	1
21	2309900016	Engine Oil (not shown)	1

ENGINE DIAGRAM

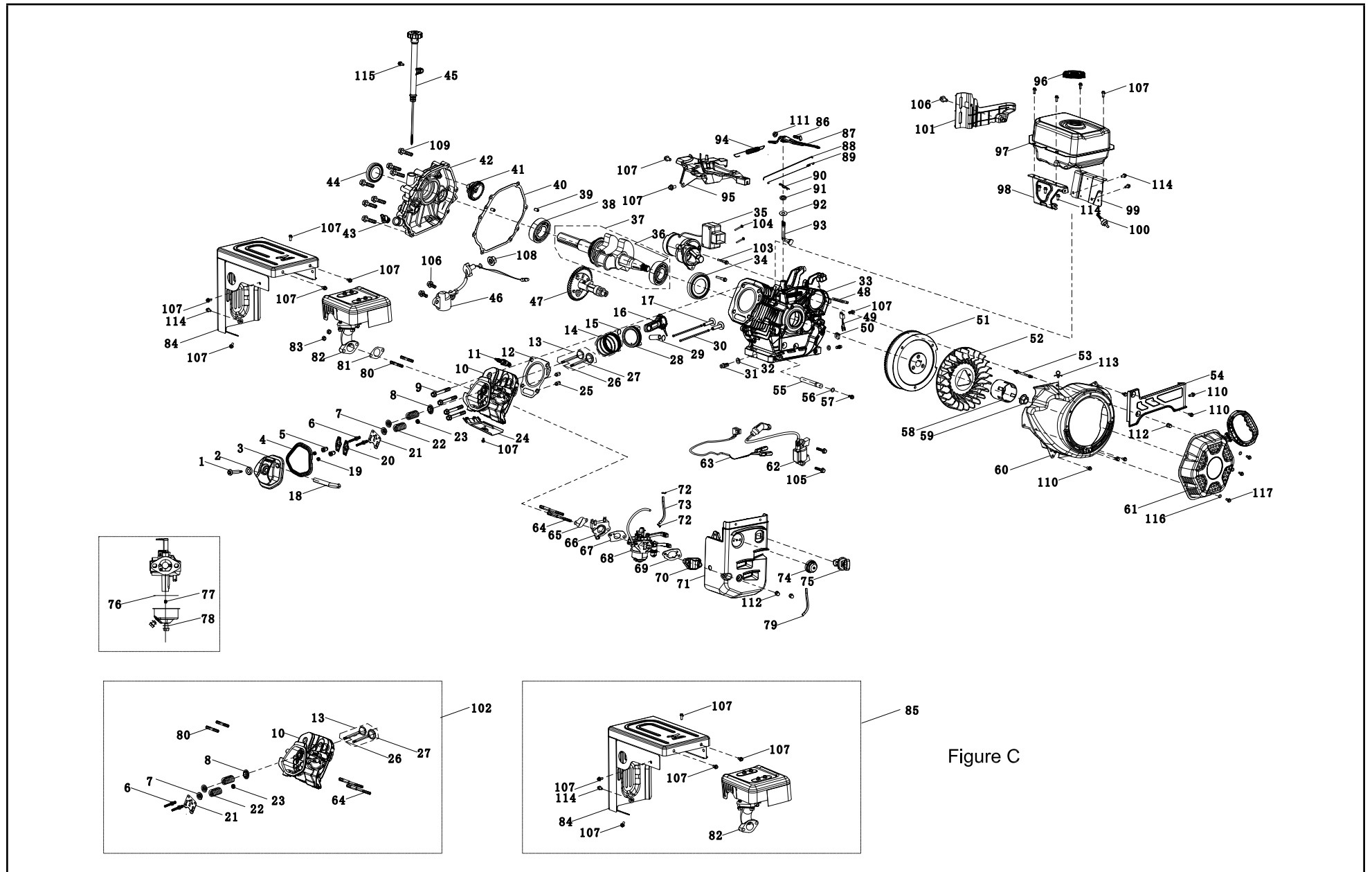


Figure C

ENGINE PARTS LIST

#	Part Number	Description	Qty.
1	12032-Z080110-0101	Cylinder Head Cover Bolt, Blue White Zinc	1
2	12034-Z080110-0091	Cylinder Head Cover Gasket Subassembly, Blue White Zinc	1
3	12410-Z310110-01A0	Cylinder Head Cover Subassembly, Blue White Zinc	1
4	12004-Z090110-0001	Cylinder Head Cover Gasket	1
5	14314-Z010110-0000	Valve Adjusting Nut	2
6	14313-Z010110-0000	Valve Adjusting Bolt	2
7	12112-Z080110-0000	Valve Spring Retainer	2
8	12105-Z080110-0000	Valve Spring Seat	1
9	12003-Z080110-0000	Cylinder Head Bolt, M10 x 80	4
10	12140-Z0S0311-0B00	Cylinder Head Subassembly	1
11	30010-Z010110-0000	Spark Plug, F6RTC	1
12	12131-Z0S0110-0000	Cylinder Head Gasket	1
13	12110-Z0S0110-0000	Valves Set	1
14	13200-Z730110-0099	Piston Rings Set	1
15	13122-Z100110-0000	Piston Pin Clip	2
16	13010-Z100120-00A0	Connecting Rod	1
17	14081-Z080110-0000	Valve Lifter	2
18	17004-Z520111-0001	Breather Tube, Ø10.4 × Ø15, NBR+CSM	1
19	14312-Z010110-0000	Valve Lock Nut	2
20	14311-Z080110-0000	Valve Rocker	2
21	14090-Z080110-0000	Lifter Stopper Plate Subassembly, Blue White Zinc	1
22	12103-Z080110-0000	Valve Spring	2
23	12101-Z080110-0000	Seal Guide	1
24	19304-Z110110-0001	Cylinder Body Shroud, Blue White Zinc	1
25	90502-1220-00	Pin, 12 × 20	2
26	12121-Z0S0110-0000	Exhaust Valve	1
27	12111-Z0S0110-0000	Inlet Valve	1

#	Part Number	Description	Qty.
28	13111-Z0S0110-0000	Piston	1
29	13121-Z0S0110-0000	Piston Pin, Ø20 × 55	1
30	14070-Z100110-0000	Valve Rod	2
31	11007-Z080110-0001	Drain Plug Bolt, M12 × 1.5 × 18, Blue White Zinc	2
32	90412-Z080110-00A0	Washer, Ø12 × Ø21 × 2	2
33	11310-Z0S0111-0B00	Crankcase Subassembly	1
34	90682-Z520310-0000	Oil Seal, Ø40 × Ø52 × 9	1
35	30300-Z520510-0001	Starting Motor Assembly	1
36	90547-6208-00A1	Bearing, 6208 P5C3	1
37	13300-Z0S0110-RB00	Crankshaft Assembly	1
38	90548-0207-00	Bearing, 6207 P6	1
39	90502-0812-00	Pin, 8 × 12	2
40	11001-Z100220-0000	Crankcase Gasket	1
41	16400-Z100110-0000	Governor Gear Assembly	1
42	11411-Z520210-0B00	Crankcase Cover	1
43	15030-Z080130-L401	Engine Oil Plug Subassembly, O-Type	1
44	90682-Z520210-0000	Oil Seal, Ø35 × Ø52 × 7	1
45	15010-Z520211-L401	Oil Dipstick Subassembly	1
46	37060-Z080120-0000	Engine oil Sensor, W/O Nut	1
47	14200-Z520210-0009	Camshaft Assembly	1
48	90684-Z030120-0001	Clip	1
49	37050-Z010210-0001	Oil Protector, Blue White Zinc	1
50	28101-Z080110-0001	Rubber Plug, Black	1
51	13510-Z520110-0000	Flywheel Subassembly	1
52	19352-Z100120-00A0	Impeller	1
53	90204-Z520110-0001	Stud, M6 × 92.8	1
54	16614-Z520210-0001	Fuel Tank Shield	1
55	11011-Z520210-0101	Oil Drain Tube	1
56	90408-Z010510-0000	Washer, Ø10 × Ø15.8 × 1.5	1

#	Part Number	Description	Qty.
57	11007-Z010110-0001	Drain Plug Bolt, M10 x1.25 x15, Blue White Zinc	1
58	28002-Z100210-0000	Starter Pulley, Blue White Zinc	1
59	13501-Z080110-0000	Flywheel Nut, M16 × 1.5, Blue White Zinc	1
60	28110-Z110110-L400	Shroud	1
61	28200-Z520210-H000	Recoil Starter Assembly	1
62	30400-Z090210-0001	Ignition Coil	1
63	30423-Z520510-00A0	Ignition Coil Stop Engine Wire	1
64	90204-Z080320-0301	Stud, M6/8 × 127	2
65	17002-Z100110-0000	Inlet Gasket	1
66	16003-Z520110-0001	Carburetor Insulator Plate	1
67	16001-Z520110-0000	Carburetor Gasket	1
68	16100-Z0S0210-00A3	Carburetor Assembly.	1
69	17001-Z520210-0000	Air Cleaner Gasket	1
70	16116-Z520210-0001	Oil Cup	1
71	35610-Z520510-0001	Control Panel Subassembly	1
72	90740-Z010210-0001	Clamp, Ø7.5, Blue White Zinc	2
73	90686-Z010110-0001	Fuel Pipe, Ø4.5 × Ø8.5 × 200	1
74	16210-Z330310-0001	Primer Bulb	1
75	35540-Z1A0110-0000	Stop Engine Switch Subassembly	1
76	90681-Z010610-0000	Seal Ring	1
77	16161-Z151710-0000	Main Jet, Standard	1
	16161-Z151510-0000	Main Jet, Altitude 3000-6000 Feet	
	16161-Z151910-0000	Main Jet, Altitude 6000-8000 Feet	
78	16112-Z080110-0000	Seal Ring	1
79	16214-Z550110-0000	Tube Jacket, Primer Bulb	1
80	90204-Z100320-0301	Stud, M8 × 54, Black Zinc	2
81	18001-Z080310-00A0	Exhaust Outlet Gasket	1
82	18100-Z520210-H300	Muffler Assembly	1
83	90332-Z1F0110-0100	Lock Nut, M8, Blue White Zinc	2
84	18140-Z520511-H301	Scald Resistant Cover	1

#	Part Number	Description	Qty.
85	CMP-XSQ-005	Muffler Assembly Kit	1
86	16072-Z010110-0001	Governor Support Bolt, M6 × 21, Blue White Zinc	1
87	16070-Z100120-0001	Governor Support Subassembly, Blue White Zinc	1
88	16062-Z100110-0001	Governor Rod, Blue White Zinc	1
89	16012-Z080110-0000	Throttle Valve Returning Spring	1
90	90501-Z010110-0001	Pin, Blue White Zinc	1
91	90682-Z100210-0001	Oil Seal, Ø8 × Ø14 × 4	1
92	90412-Z080210-0000	Washer, Ø8.4 × Ø19.5 × 0.8	1
93	16061-Z100110-0000	Governor Arm	1
94	16063-Z4R0110-0101	Spring, Governor, Blue White Zinc	1
95	16520-Z520210-0001	Throttle Control Assembly	1
96	16730-Z1S0110-Q201	Fuel Tank Cover	1
97	16620-Z520310-H0A0	Fuel Tank	1
98	16612HZ520130-0100	Fuel Tank Mounting Frame	1
99	16618HZ520111-H300	Fuel Tank Rear Mounting Frame	1
100	16680-Z010110-0001	Fuel Tank Oil Outlet Subassembly	1
101	16617-Z520120-0001	Fuel Tank Shield 2	1
102	CMP-QGT-004	Cylinder Head Assembly Kit	1
103	90001-0835-01	Hexagon Flange Bolt, M8 × 35, Blue White Zinc	2
104	90103-0455-5301	Screw, M4 × 55, Black Zinc	2
105	90001-0628-01	Hexagon Flange Bolt, M6 × 28, Blue White Zinc	2
106	90001-0616-0109	Hexagon Flange Bolt, M6 × 16, Blue White Zinc	3
107	90001-0612-0101	Hexagon Flange Bolt, M6 × 12, Blue White Zinc	13
108	90305-Z010210-0101	Hexagon Flange Nut, M10, Blue White Zinc	1
109	90001-0840-0101	Hexagon Flange Bolt, M8 × 40, Blue White Zinc	7

#	Part Number	Description	Qty.
110	90007-0612-A102	Hexagon Flange Bolt, M6 12, Blue White Zinc	6
111	90305-0600-3101	Hexagon Flange Nut, M6, Blue White Zinc	1
112	90314-Z130210-0501	Nut, M6 × 17, Chrome Plated	3
113	90684-Z080110-0001	Clip	1
114	90001-0820-0102	Hexagon Flange Bolt, M8 × 20, Blue White Zinc	6
115	90001-0620-0101	Hexagon Flange Bolt, M6 × 20, Blue White Zinc	1
116	90408-0600-E1	Washer	3
117	90001-0608-01	Hexagon Flange Bolt, M6 × 8, Blue White Zinc	3

DRIVETRAIN DIAGRAM

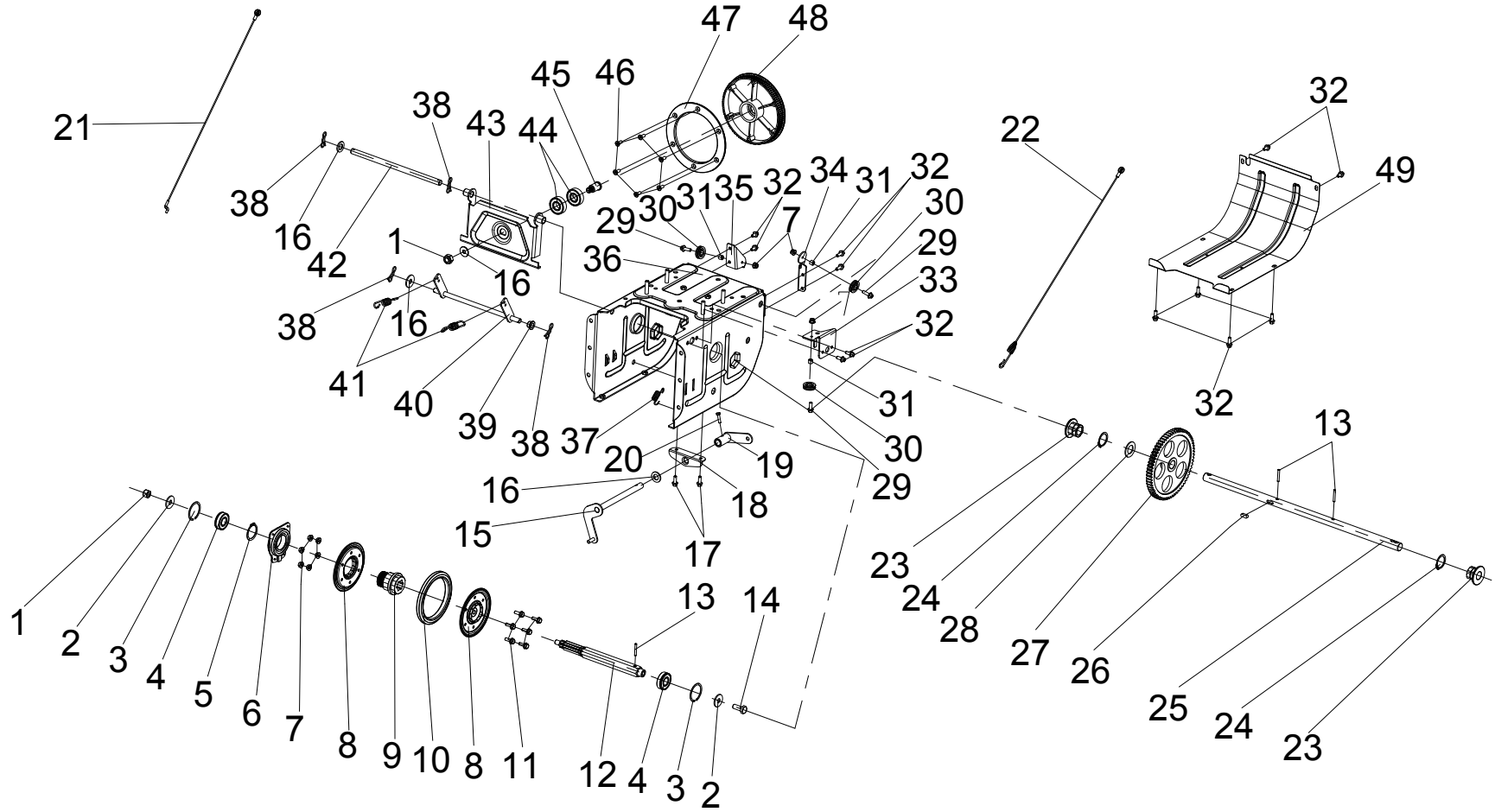


Figure D

DRIVETRAIN PARTS LIST

#	Part Number	Description	Qty.
1	23093000125000A	Hexagon Locking Nut, M10, Blue White Zinc	2
2	30512050045000	Big Washer, Ø10, Blue White Zinc	4
3	23092000065000A	Shaft Ring, Ø38 × Ø43.6 × 1, Black	2
4	23013000025000A	Bearing, 6203-2RS, 1.6 × 1	2
5	30423010065000	A Type External Circlips, Ø35, Black	1
6	23032000215000A	Shifting Fork Riveting, White Zinc	1
7	30323060015000	Flange Locking Nut, M6, All Metal Hexagon, Blue White Zinc	9
8	23032000285000B	Friction Wheel Clamp, Ø117.6, White Zinc	2
9	23034000285000B	Wheeled Six Party Sleeve, Ø52 × 52.9	1
10	23036000105000A	Friction Wheel Rubber Ring, Ø127 × 12.4	1
11	30913070015000	Hexagon Flange Bolt, M6 × 16, Blue White Zinc	6
12	23033000495000A	Wheeled Six Party Shaft, Ø17 × 22 × 253, White Zinc	1
13	30823060015000	Elastic Column Pin, 4 × 30, Black	3
14	30913040065000	Hexagon Bolt, M10 × 20, Blue White Zinc	1
15	23032000195000A	Gear Shift Fork Assembly, Ø13, White Zinc	1
16	23092000045000A	Flat Washer, Ø14 × Ø25 × 2.5, Blue White Zinc	2
17	30913070125000	Hexagon Flange Bolt, M6 × 10, Blue White Zinc	2
18	23032000185000A	Shifting Fork Plate, THK=1.5, 95 × 22 × 26.5, White Zinc	1
19	23062000865000A	Gear Link Plate Assembly, Black	1
20	30913040135000	Hexagon Bolt, M5 × 20, Black Zinc	1
21	23068000065000A	Self Driving Cable, 500mm	1
22	23068000055000A	Snow Throwing Cable 2, 705mm	1
23	23034000255000B	Hexagon Bushing, Ø19 × Ø45 × 25.3	2
24	30423010075000	A Type External Circlips, Ø30, Black	2
25	23013000115000C	Wheel Shaft, Ø19, White Zinc	1
26	31013010045000	Flat Key, 6 × 6 × 18, Black	1
27	23034000765000A	Transmission Gear	1

#	Part Number	Description	Qty.
28	23092000055000A	Flat Washer, Ø20 × Ø37 × 2, Blue White Zinc	1
29	30913070105000	Hexagon Flange Bolt, M6 × 20, Blue White Zinc	3
30	23061000130001B	Wire Roller, Black	3
31	23033000185000A	Roller Sleeve, White Zinc	3
32	23033000485000A	Flange Triangle Self-Tapping Screw, M6 × 16, White Zinc	12
33	23035000125000C	Front Wire Support Seat Assembly, White Zinc	1
34	23032000175000B	Clutch Wire Support Seat, White Zinc	1
35	23062000145000B	Self Driving Wire Support Seat, White Zinc	1
36	23035000520034A	Housing Assembly, Yellow 109C	1
37	23038000125000C	Extension Spring, Ø8.5 × 44.9, Black	1
38	22698000065000A	B Pin, White Zinc	4
39	23034000355000A	Rocer Arm Spacer Bushing, Ø10.1 × Ø20 × 10	1
40	23032000275000A	Rocer Arm, White Zinc	1
41	23068000125000A	Self-Driving Extension Spring, Ø2.1 × Ø15 × 86.5, White Zinc	2
42	23033000335000A	Bracket Shaft, Ø12.5 × 245	1
43	23035000140001B	Friction Disc Bracket Assembly, Black	1
44	30613010075000	Deep Groove Ball Bearing, 6203RS	2
45	23033000115000B	Large Synchronous Pulley Shaft, Ø17 × Ø20 × 39.3, Black	1
46	30213010035000	Cross Recessed Countersunk Head Screw, M6 × 12, Blue White Zinc	6
47	23034000195000A	Large Synchronous Pulley Side Plate, Ø169.5	1
48	23034000185000C	Large Synchronous Pulley, Ø170	1
49	23032000160034N	Big Bottom Plate, Yellow 109C	1

AUGER DIAGRAM

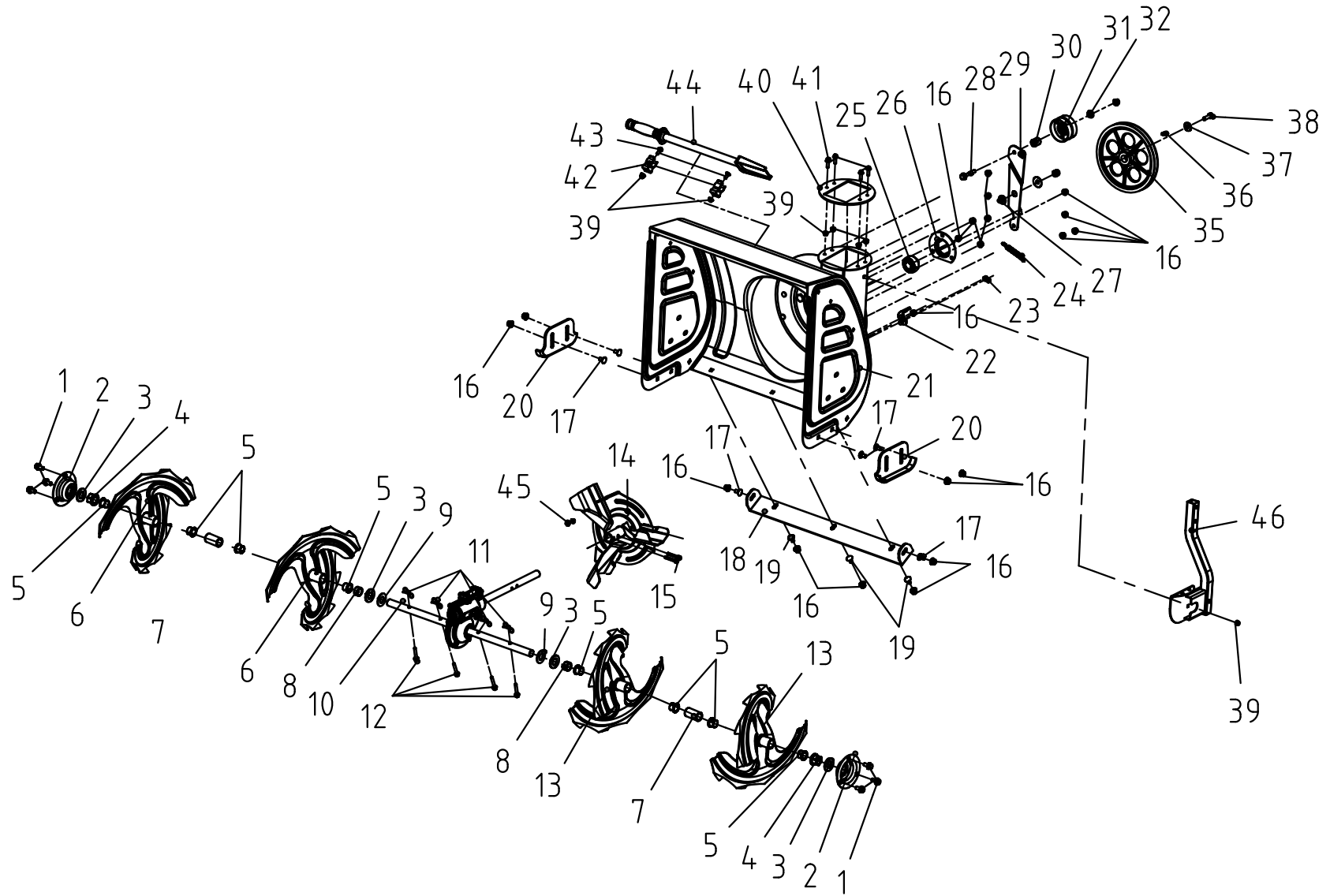


Figure E

AUGER PARTS LIST

#	Part Number	Description	Qty.
1	30913070165000	Hexagon Flange Bolt, M8 × 16, Blue White Zinc	6
2	23052000115000A	Bearing Support, THK=2, White Zinc	2
3	23092000055000A	Flat Washer, Ø20 × Ø37 × 2, Blue White Zinc	4
4	23053000035000A	Bearing Sheath, Auger	2
5	23051000130001B	T Type Bearing Sheath, Auger, Black	8
6	23055000020001A	Right Auger Assembly	2
7	23051000020001A	Long Bearing Sheath, Auger, Ø19.3×Ø25×45.5, Black	2
8	23051000110001B	Short Bearing Sheath, Auger, Ø19.4×Ø24.2×16, Black	2
9	22627000125000A	Wool Felt Washer, Ø40 × Ø20 × 3, White	2
10	2300200002	Worm Gear Box Assembly, 27"	1
11	23093000195000B	B Pin, White Zinc	4
12	23093000025000A	Shear Pin, Ø6 × 35.5, Blue White Zinc	4
13	23055000010001A	Left Auger Assembly, black	2
14	23055000170001B	Fan Impeller Assembly, black	1
15	30223010055000	Hexagon Socket Head Cap Screw, M6 × 40, Black Zinc	2
16	30323060035000	Flange Locking Nut, M8, All Metal Hexagon, Blue White Zinc	21
17	30913090025000	Half-Round Head Square Neck Bolt, M8 × 20, Blue White Zinc	6
18	23032000440001N	Snow Shovel Plate, 27 Inch, Black	1
19	30913090015000	Half-Round Head Square Neck Bolt, M8 × 16, Blue White Zinc	3
20	23032000230001N	Sled, Black	2
21	23035000250034N	Big Housing Assembly, Yellow 109C, 27"	1
22	23032000135000A	Belt Support, THK=3, 40 × 38 × 20.5, White Zinc	1
23	2303300002A	Bushing, Ø8 × Ø12 × 7, White Zinc	1
24	2303800001A	Tension Spring, 65Mn, Big Tension Wheel, White Zinc	1

#	Part Number	Description	Qty.
25	30693010015000	Spherical Bearing	1
26	23052000125000B	Pressing Plate, Bearing, THK=2, Ø95 × 8.5, White Zinc	1
27	2303400070A	Bushing, Ø35×Ø16×6.2, Large Tension Board	1
28	30913040145000	Hexagon Bolt, M8 × 40, Blue Zinc	1
29	23032000255000D	Large Tension Board	1
30	23034000345000A	Sheath (Thick), Large Tension Wheel, Ø20 × Ø8 × 16.5	1
31	23032000105000C	Large Tension Wheel Assembly, Ø66.5 × 36.2, THK=1.5	1
32	23034000325000A	Sheath (Thin), Large Tension Wheel, Ø20 × Ø8 × 5.5	1
33	30512050045000	Big Washer, Ø10, Blue White Zinc	1
34	23093000125000A	Hexagon Locking Nut, M10, Blue White Zinc	1
35	23034000135000C	Big Triangle Pulley, Ø200 × 15.7, Black	1
36	23093000165000A	Flat Key, 6 × 6 × 15, Black	1
37	23032000335000A	Thickened Big Washer, Ø8.2 × Ø30 × 3.7, White Zinc	1
38	30913040115000	Hexagon Bolt, M8 × 25, Blue White Zinc	1
39	30323060015000	Flange Locking Nut, M6, All Metal Hexagon, Blue White Zinc	7
40	23071000210001D	Steering Positioning Plate, Ø158.5 × 4, Black	1
41	30913070105000	Hexagon Flange Bolt, M6 × 20, Blue White Zinc	4
42	23092000075000A	Bracket, Snow Removal, THK=1.2, 39.2 × 30.4 × 13, White Zinc	2
43	30913090035000	Half-Round Head Square Neck Bolt, M6 × 16, Blue White Zinc	2
44	23002000130265A	Snow Removal (Shovel) Assembly, Black 419C	1
45	30313030015000	Hexagon Nut, M6, Black Zinc	2
46	2307200016A	Support Frame Weld, 178 × 92.5 × 320	1

CHUTE DIAGRAM

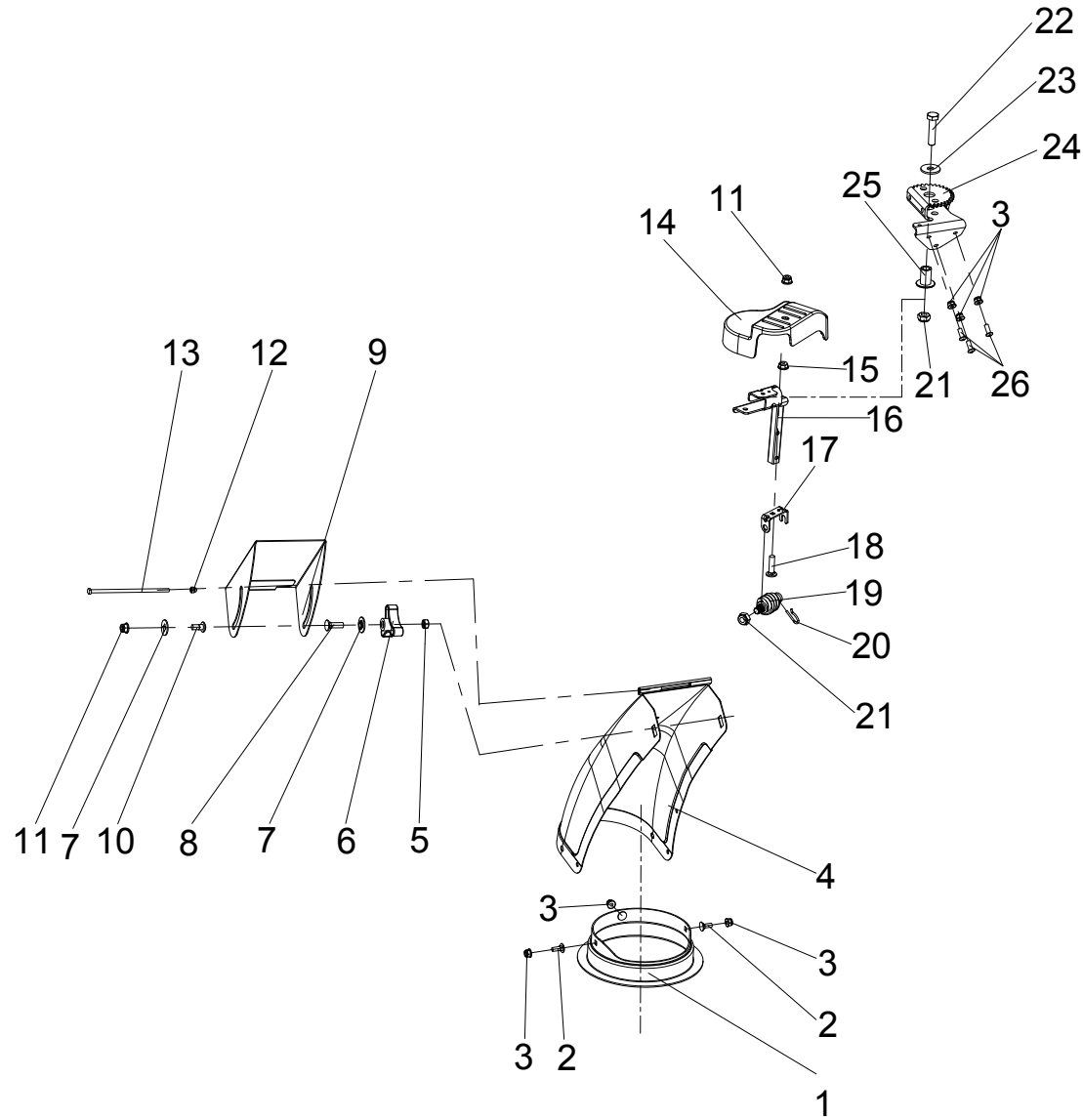


Figure F

CHUTE PARTS LIST

#	Part Number	Description	Qty.
1	23075000165001A	Steering Positioning Block Assembly, Ø195 × 51	1
2	30913090035000	Half-Round Head Square Neck Bolt, M6 × 16, Blue White Zinc	2
3	30323060015000	Flange Locking Nut, M6, All Metal Hexagon, Blue White Zinc	6
4	23072000060001A	Snow Bucket Assembly, 388 × 295.5 × 164.7, Black	1
5	30313060025000	Hexagon Nut, M8, Blue White Zinc	1
6	21061000400001A	Rotating Knob, Black	1
7	23071000140001B	Snow Bucket Washer, Black	2
8	30913090045000	Half-Round Head Square Neck Bolt, M8 × 25, Blue White Zinc	1
9	23075000100001N	Small Snow Bucket Assembly, Black	1
10	23099000045000A	Flat Head Inner Hexagon Bolt, M8 × 17, White Zinc	1
11	30323060035000	Flange Locking Nut, M8, All Metal Hexagon, Blue White Zinc	2
12	30333020025000	Cap Nut, M5, Blue White Zinc	1
13	23093000155000A	Hinge Pin, Ø5, White Zinc	1
14	23041000330001A	Worm Protection Cover, Black	1

#	Part Number	Description	Qty.
15	30333040045000	Serrated Anti-Slip And Anti-Loose Hexagon Flange Nut, M8, Blue White Zinc	1
16	23072000155000A	Joint Plate Weld, 142.5 × 90.5 × 219.5	1
17	23063000615000A	Worm Bracket, 64 × 40 × 24, Black	1
18	30933010035000	Half-Round Head Square Neck Bolt, M8 × 30, Blue White Zinc	1
19	23073000115000A	Steering Worm, Ø29.2 × 61, White Zinc	1
20	23093000135000A	R Pin, Ø2.5 × 26.3 × 12.3, White Zinc	1
21	23093000125000A	Hexagon Locking Nut, M10, Blue White Zinc	2
22	30913030045000	Haft-Thread Hexagon Bolt, M10 × 45, White Zinc	1
23	30512050045000	Big Washer, Ø10, Blue White Zinc	1
24	23072000115000B	Worm Wheel Plate, THK=3.2, 102.5 × 82.9 × 86.2, Black	1
25	23024000195000B	Spacer Bushing, Worm Wheel Plate, Ø29 × Ø25.6	1
26	30213020045000	Machine Screw, M6 × 16, White Zinc	3