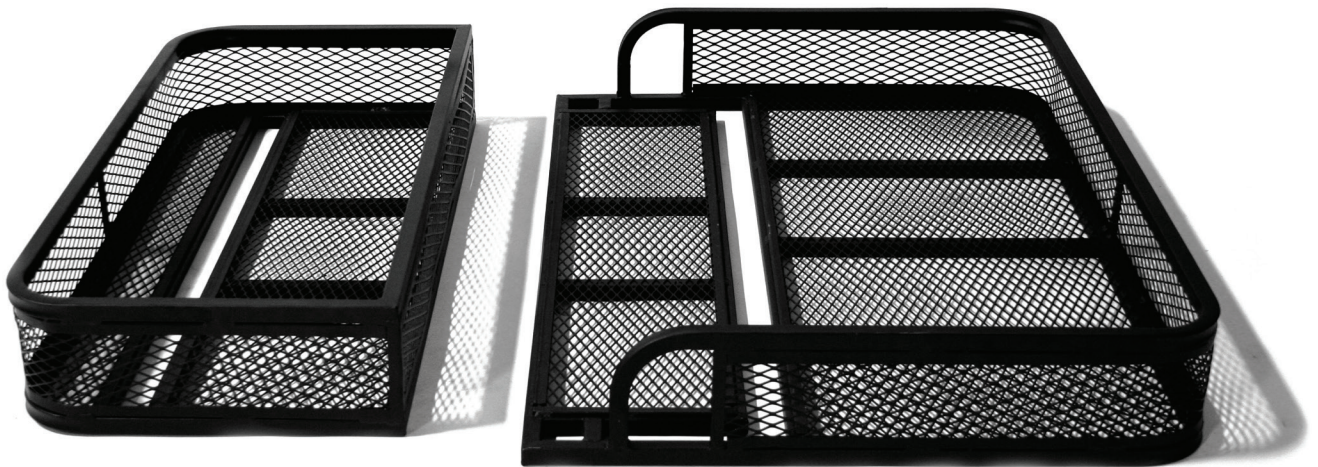


CHAMPION

POWER EQUIPMENT™

OWNER'S MANUAL & OPERATING INSTRUCTIONS



ATV BASKETS



MODEL NUMBER
C90006

SAVE THESE INSTRUCTIONS
Important safety instructions
are included in this manual.

MADE IN CHINA
REV C90006-20160307

12039 Smith Ave.
Santa Fe Springs CA 90670 USA
1-877-338-0999
www.championpowerequipment.com

Have questions or need assistance?

Do not return this product to the store!

WE ARE HERE TO HELP!

Visit our website:

www.championpowerequipment.com

for more info:

- Product Info and Updates
- Tech Bulletins
- Frequently Asked Questions
- Product Registration

– or –

Call our Customer Care Team Toll-Free at:

1-877-338-0999

Parts Ordering:

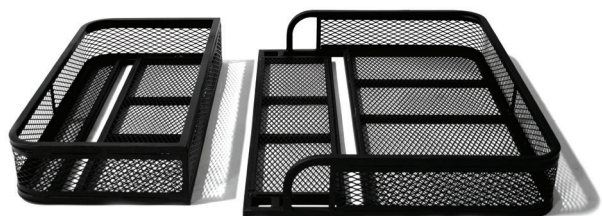
Mon – Fri 8:30 AM – 5:00 PM (PST/PDT)

Toll Free: 1-877-338-0999

For residents of California:

WARNING: This product contains chemicals known to the State of California to cause cancer or birth defects and other reproductive harm.

*We are always working to improve our products. Therefore, the enclosed product may differ slightly from the image on the cover.



ATV BASKETS

TABLE OF CONTENTS

Introduction	1
Assembly	2
Front and Rear Basket Assembly	2
Specifications	3
Parts Diagram	3
Parts List	3

INTRODUCTION

Introduction

Congratulations on your purchase of a Champion Power Equipment product. Champion Power Equipment and Champion Engine Technology designs, builds, and supports all of our products to strict specifications and guidelines. With proper product knowledge, safe use, and regular maintenance, this product should bring years of satisfying service.

Every effort has been made to ensure the accuracy and completeness of the information in this manual, and we reserve the right to change, alter and/or improve the product and this document at any time without prior notice.

Since CPE/CET highly value how our products are designed, manufactured, operated and are serviced, and also highly value your safety and the safety of others, we would like you to take the time to review this product manual and other product materials thoroughly and be fully aware and knowledgeable of the assembly, operation, dangers and maintenance of the product before use. Fully familiarize yourself, and make sure others who plan on operating the product fully familiarize themselves too, with the proper safety and operation procedures before each use. Please always exercise common sense and always err on the side of caution when operating the product to ensure no accidents, property damage, or injury occurs. We want you to continue to use and be satisfied with your CPE/CET product for years to come.

Record the model and serial numbers as well as date and place of purchase for future reference. Have this information available when ordering parts and when making technical or warranty inquiries.

Champion Power Equipment Support
1-877-338-0999
Model Number
C90006
Serial Number
Date of Purchase
Purchase Location

Front and Rear Basket Assembly

NOTE

If mounting the front basket on an ATV rack without an upright, attach filler plate to the basket. The long plate will lie over the opening with the flat side up. The two brackets are installed from below the basket. Secure with (2) M6x15 bolts and lock nuts.

1. Position a basket so it is centered on the rack of the ATV and the O.E. rack upright fits through the basket opening.

NOTE

Depending on the size and type of the rack upright, it may have to be removed before the basket can be installed.

2. Place and stick self-adhesive pads (included) between basket and ATV rack to prevent scratching.
3. Using (2) mounting brackets, (2) M6x65 bolts, (2) M6 nuts and (4) flat washers, secure the basket to the ATV rack. Assure the bracket on top of the basket is positioned over the square tubing of the basket frame and the bolts are installed on both sides of the tube.

NOTE

As the bolt is tightened the expanded metal will deform.

4. Repeat step 3, three more times. Space the mounting brackets evenly over the surface of the basket. Check basket for alignment and assure it is securely fastened. Tighten fasteners as needed. Do not overtighten.
5. Repeat for other basket.

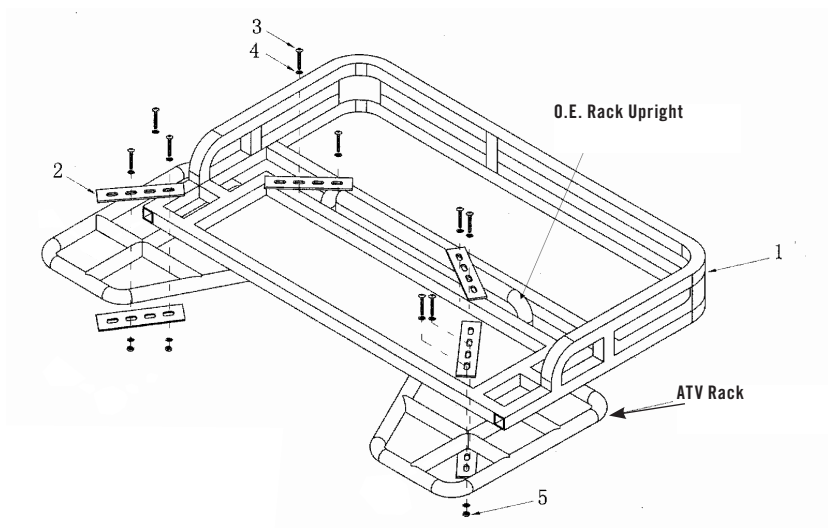
WARNING

When loading your basket do not exceed the ATV manufacturers rack weight carrying capacity.
DO NOT use baskets to carry people or animals.
DO NOT use baskets for pulling or winching.

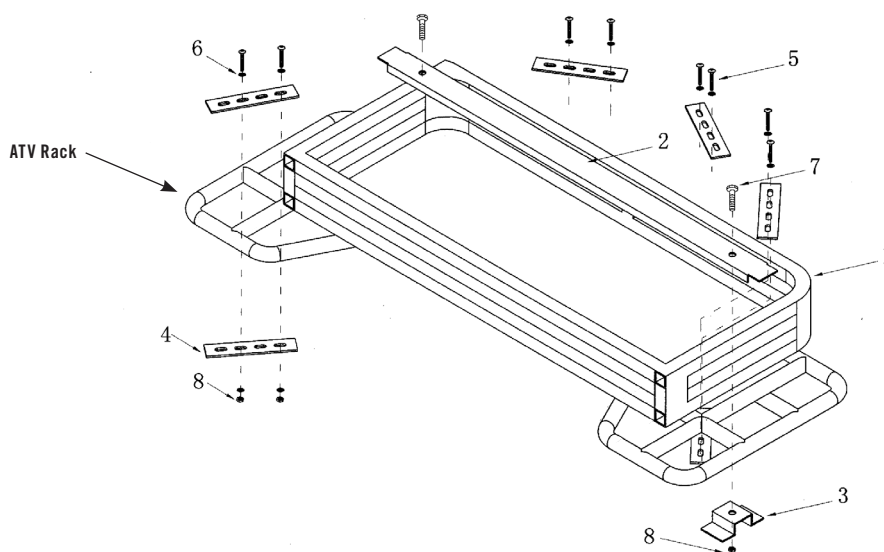
SPECIFICATIONS

Parts Diagram

Rear Basket



Front Basket



Parts List

Rear Basket

#	Part Number	Description	Qty
1	C90006-01	Rear Basket, Flat	1
2	C90006-02	Mounting Bracket	8
3	C90006-03	Hexagon Bolt M6x65	8
4	C90006-04	Flat Washer Ø6	16
5	C90006-05	Nylon Locking Nut M6	8

Front Basket

#	Part Number	Description	Qty
1	C90006-06	Front Basket	1
2	C90006-07	Filler Plate	1
3	C90006-08	Filler Bracket	2
4	C90006-02	Mounting Bracket	8
5	C90006-03	Hexagon Bolt M6x65	8
6	C90006-04	Flat Washer Ø6	16
7	C90006-09	Hexagon Bolt M6x15	2
8	C90006-05	Nylon Locking Nut M6	10

WARRANTY

WARRANTY

CHAMPION POWER EQUIPMENT
1 YEAR LIMITED WARRANTY

Warranty Qualifications

Champion Power Equipment (CPE) will register this warranty upon receipt of your Warranty Registration Card and a copy of your sales receipt from one of CPE's retail locations as proof of purchase. Please submit your warranty registration and your proof of purchase within ten (10) days of the date of purchase.

Repair/Replacement Warranty

CPE warrants to the original purchaser that the mechanical and electrical components will be free of defects in material and workmanship for a period of one year (parts and labor) from the original date of purchase and 90 days (parts and labor) for commercial and industrial use. Transportation charges on product submitted for repair or replacement under this warranty are the sole responsibility of the purchaser. This warranty only applies to the original purchaser and is not transferable.

Do Not Return The Unit To The Place Of Purchase

Contact CPE's Technical Service and CPE will troubleshoot any issue via phone or e-mail. If the problem is not corrected by this method, CPE will, at its option, authorize evaluation, repair or replacement of the defective part or component at a CPE Service Center. CPE will provide you with a case number for warranty service. Please keep it for future reference. Repairs or replacements without prior authorization, or at an unauthorized repair facility, will not be covered by this warranty.

Warranty Exclusions

This warranty does not cover the following repairs and equipment:

Normal Wear

Products with mechanical and electrical components need periodic parts and service to perform well. This warranty does not cover repair when normal use has exhausted the life of a part or the equipment as a whole.

Installation, Use and Maintenance

This warranty will not apply to parts and/or labor if the product is deemed to have been misused, neglected, involved in an accident, abused, loaded beyond the product's limits, modified, installed improperly or connected incorrectly to any electrical component. Normal maintenance is not covered by this warranty and is not required to be performed at a facility or by a person authorized by CPE.

Other Exclusions

This warranty excludes:

- Cosmetic defects such as paint, decals, etc.
- Wear items such as filter elements, o-rings, etc.
- Accessory parts such as starting batteries, and storage covers.
- Failures due to acts of God and other force majeure events beyond the manufacturer's control.
- Problems caused by parts that are not original Champion Power Equipment parts.

Limits of Implied Warranty and Consequential Damage

Champion Power Equipment disclaims any obligation to cover any loss of time, use of this product, freight, or any incidental or consequential claim by anyone from using this product. THIS WARRANTY IS IN LIEU OF ALL OTHER WARRANTIES, EXPRESS OR IMPLIED, INCLUDING WARRANTIES OF MERCHANTABILITY OR FITNESS FOR A PARTICULAR PURPOSE.

A unit provided as an exchange will be subject to the warranty of the original unit. The length of the warranty governing the exchanged unit will remain calculated by reference to the purchase date of the original unit.

This warranty gives you certain legal rights which may change from state to state or province to province. Your state or province may also have other rights you may be entitled to that are not listed within this warranty.

Contact Information

Address

Champion Power Equipment, Inc.
Customer Service
12039 Smith Ave.
Santa Fe Springs, CA 90670 USA
www.championpowerequipment.com

Customer Service

Mon – Fri 8:30 AM – 5:00 PM (PST/PDT)
Toll Free: 1-877-338-0999
info@championpowerequipment.com
Fax no.: 1-562-236-9429

Technical Service

Mon – Fri 8:30 AM – 5:00 PM (PST/PDT)
Toll Free: 1-877-338-0999
tech@championpowerequipment.com
24/7 Tech Support: 1-562-204-1188