



50000

Rev 50000-
20080808



10006 Santa Fe Springs Road
Santa Fe Springs, CA 90670 USA
Made in China

Owner's Manual and Operating Instructions



Snowmobile Track Lift

Table of Contents

Introduction	1
Snowmobile Track Lift	1
This Booklet	1
Manual Conventions	2
Safety Rules	3
Assembly	4
Operation	5
Maintenance	5
Parts Diagram.....	6
Parts List.....	7
Warranty	8
Warranty Qualifications.....	8
Repair/Replacement Warranty.....	8
Do not return the unit to the place of purchase.....	8
Warranty Exclusions	8
Normal Wear.....	8
Installation, Use and Maintenance	8
Other Exclusions.....	8
Limits of Implied Warranty and Consequential Damage.....	8
Contact Information.....	8
Address.....	8
Customer Service	8
Technical Service	8
Notes	9

Introduction

Congratulations on your purchase of a Champion Power Equipment snowmobile track lift. With proper use and maintenance, this product will bring years of satisfying service.

Snowmobile Track Lift

This unit is a manually operated snowmobile track lift.

This Booklet

Every effort has been made to ensure the accuracy and completeness of the information in this manual. We reserve the right to change, alter and/or improve the product and this document at any time without prior notice.

Record the model and serial numbers as well as date and place of purchase for future reference. Have this information available when ordering parts and when making technical or warranty inquiries.

Champion Power Equipment Support
1-877-338-0999
Model Number
50000
Serial Number
Date of Purchase
Purchase Location

Manual Conventions

Manual Conventions

This manual uses the following symbols to help differentiate between different kinds of information. The safety symbol is used with a key word to alert you to potential hazards in operating and owning power equipment.

Follow all safety messages to avoid or reduce the risk of serious injury or death.

DANGER

DANGER indicates an imminently hazardous situation which, if not avoided, *will* result in death or serious injury.

WARNING

WARNING indicates a potentially hazardous situation which, if not avoided, *could* result in death or serious injury.

CAUTION

CAUTION indicates a potentially hazardous situation which, if not avoided, *may* result in minor or moderate injury.

CAUTION

CAUTION used without the safety alert symbol indicates a potentially hazardous situation which, if not avoided, *may* result in property damage.

NOTE

If you have questions regarding your generator, we can help. Please call our help line at 1-877-338-0999.

Safety Rules

WARNING

Read this manual thoroughly before operating your snowmobile track lift. Failure to follow instructions could result in serious injury or death.

WARNING

Improper use of the snowmobile track lift may result in personal injury and/or property damage

DO NOT move or dolly the snowmobile while on the track lift.

Only use the snowmobile track lift on a flat level surface with base firmly seated on the ground.

Snowmobile engine must be turned off to lift or remove snowmobile from the track lift.

Use track lift to support snowmobile by its rear bumper only.

Rear bumper must be firmly seated in the snowmobile lift support bracket.

Lift only on areas of the vehicle as specified by the vehicle manufacture.

The locking pin must always be in place when the track lift is in the raised position.

DO NOT stand behind the snowmobile while the track is moving; keep away from moving track while snowmobile is support by the lift. Sever personal injury or death may result from entanglement in the track or from flying debris.

WARNING

DO NOT exceed the stated rate capacity of 300 lbs.

WARNING

DO NOT use to lift any vehicle for repairs.

WARNING

Lifting devise is to be used with snowmobiles only.

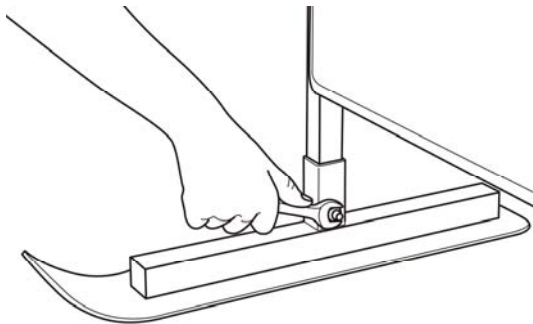
Assembly

Assembly

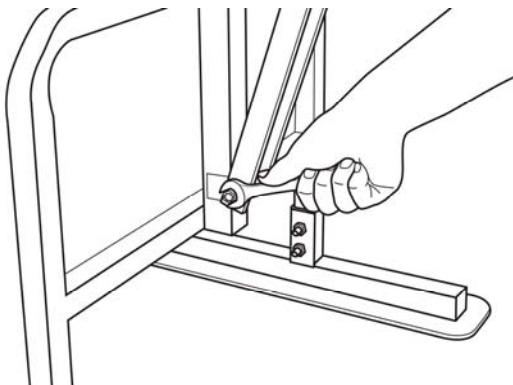
Your snow lift requires some assembly. If you have any questions regarding the assembly of your snow lift, call our help line at 1-877-338-0999.

Remove all components from the box and begin assembly on a flat level surface.

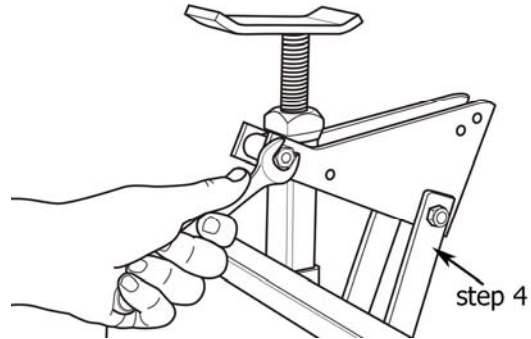
1. Put both Skies (#4) on a flat level surface. Place the Main Frame (#3) over the top of the Skies Brackets and Slide Frame through the Brackets. Bolt the Skies to the Main Frame with one M8 x 40 Bolt (#9), Flat Washer (#10) and Locking Nut (#11) in each hole.



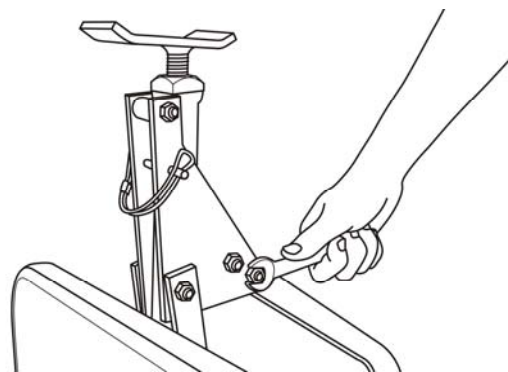
2. Attach both Support Rods (#5) to the Main Frame (#3) use one M8x65 Bolt (#12), one Flat Washer (#10) and one Locking Nut (#11)



3. Put the Triangle Plates (#6) on each side of the Inner Post (#2). Slide one M8x50 Bolt (#12) through the Triangle Plates and Inner Post and secure with one Flat Washer (#10) and one Locking Nut (#11). Lightly oil the Inner Post (#2) and slide it through the post opening in the Main Frame (#3), **NOTE: Make sure the Inner Post (#2) bolt sleeve is facing forward.**



4. Attach the Support Rods (#5) to the Triangle Plates (#6) use one Flat Washer (#10) and one Locking Nut (#11) on each side of the Triangle Plate. **NOTE: Make sure not to over tighten the nuts as this will make the Snowmobile Track Lift harder to operate.**
5. Place Handle (#7) on the inside of the Triangle Plates (#6); fasten with one M8 x 45 Bolt (#15), Flat Washer (#10) and Locking Nut (#11) in each hole.



6. Once the Snowmobile Track Lift is put together make sure it is easy to use and slides up and down with minimal effort. If the lift is sticking or it is difficult for the Inner Post (#2) to move up and down, loosen the bolts and adjust until it operates smoothly.

Operation

1. Place the Snowmobile Track Lift at the rear of the Snowmobile, the lift skis should be facing forward and the handle needs to be in the up position.
2. Adjust the Screw Rod (#1) to the preferred height, turning to the right to reduce the height or turning to left will increase the height.
3. Once the preferred height is achieved, place the rear of the Snowmobile on top of the Screw Rod (#1) saddle, push handle downward and the rear of the Snowmobile will raise to the desired height.
4. Insert Safety Pin (#13) through the front holes on the Triangle Plates (#6). Always use the Safety Pin (#13) once the Snowmobile's track has been lifted off of the ground.
5. To lower reverse steps 1 through 4.

Maintenance

The owner/operator is responsible for all periodic maintenance. Monthly maintenance is recommended. Lubrication is critical to help maintain the Lift in good working condition.

WARNING

Never operate a damaged or defective snow lift.

WARNING

Improper maintenance will void your warranty.

1. Lubricate the threads on the Screw Rod (#1) and all bolts and moving parts.
2. Visually inspect for cracked welds, bent, loose or missing parts.
3. If Lift is subjected to abnormal load or shock, remove from service.
4. Keep all surfaces clean and lightly oiled, maintain all labels and warnings.

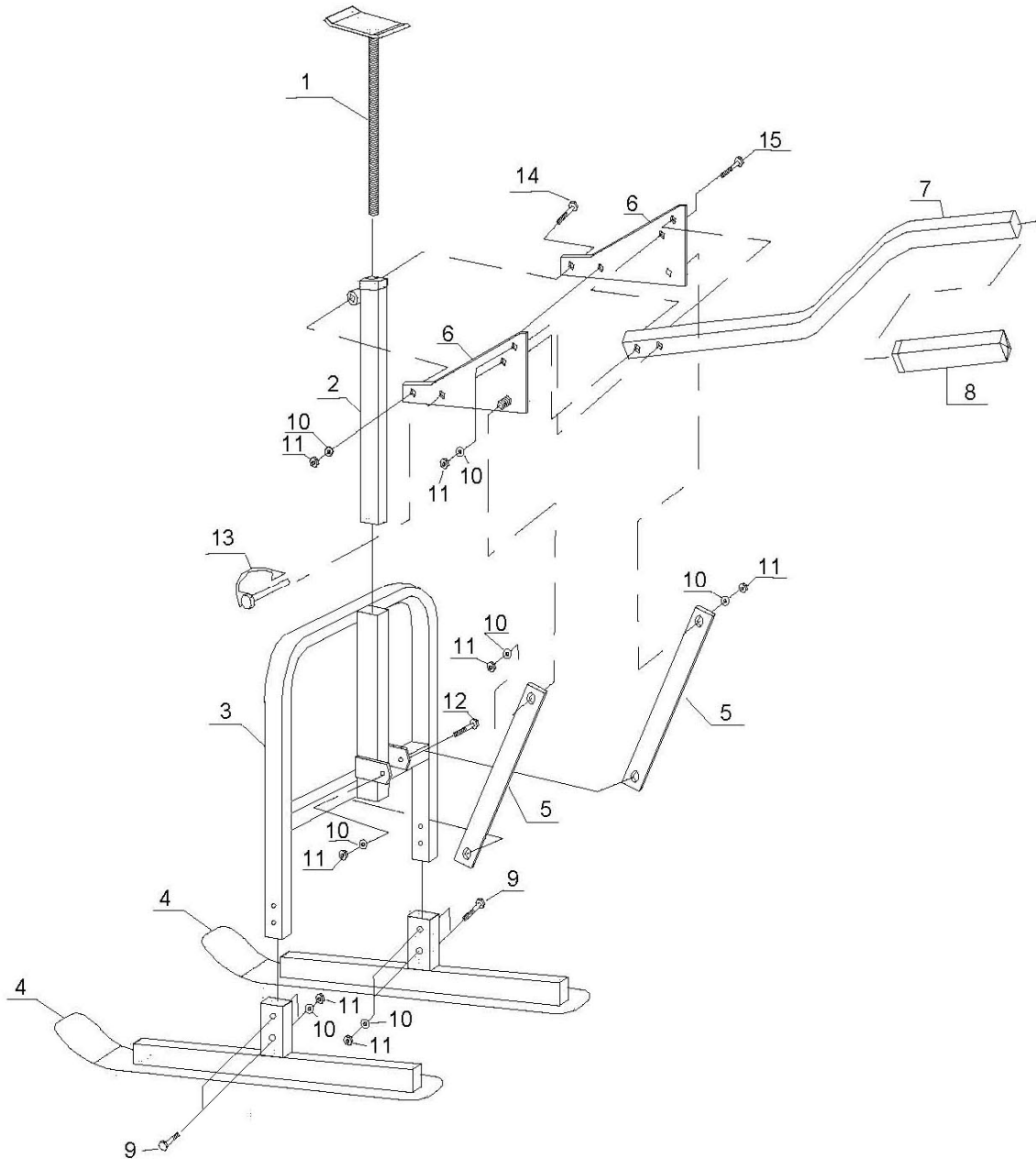
Complete all scheduled maintenance in a timely manner. Correct any issue before operating the snow lift.

NOTE

For service or parts assistance, contact our help line at 1-877-338-0999.

Specifications

Parts Diagram



Parts List

No	Parts #	Description	Qty
1	50000-01	Screw Rod	1
2	50000-02	Inner Post	1
3	50000-03	Main Frame	1
4	50000-04	Skies	2
5	50000-05	Supporting Rod	2
6	50000-06	Triangular Plate	2
7	50000-07	Handle	1
8	50000-08	Handle sleeve	1
9	50000-09	Bolt M8x40	4
10	50000-10	Flat Washer 8	10
11	50000-11	Lock Nut M8	10
12	50000-12	Bolt M8x65	1
13	50000-13	Safety Pin	1
14	50000-14	Bolt M8x50	1
15	50000-15	Bolt M8x45	2

Warranty

CHAMPION POWER EQUIPMENT 1 YEAR LIMITED WARRANTY

Effective September 1, 2006. Replaces all undated warranties and all warranties dated before September 1, 2006.

Warranty Qualifications

Champion Power Equipment (CPE) will register this warranty upon receipt of your Warranty Registration Card and a copy of your sales receipt from one of CPE's retail locations as proof of purchase.

Please submit your warranty registration and your proof of purchase within ten (10) days of the date of purchase.

Repair/Replacement Warranty

CPE warrants to the original purchaser that the mechanical and electrical components will be free of defects in material and workmanship for a period of one (1) year from the original date of purchase (90 days for commercial & industrial use). Transportation charges on product submitted for repair or replacement under this warranty are the sole responsibility of the purchaser. This warranty only applies to the original purchaser and is not transferable.

Do not return the unit to the place of purchase

Contact CPE's Technical Service and CPE will troubleshoot any issue via phone or e-mail. If the problem is not corrected by this method, CPE will, at its option, authorize evaluation, repair or replacement of the defective part or component at a CPE Service Center. CPE will provide you with a case number for warranty service. Please keep it for future reference. Repairs or replacements without prior authorization, or at an unauthorized repair facility, will not be covered by this warranty.

Warranty Exclusions

This warranty does not cover the following repairs and equipment:

Normal Wear

Snowmobile lifts need periodic parts and service to perform well. This warranty does not cover repair when normal use has exhausted the life of a part or the equipment as a whole.

Installation, Use and Maintenance

This warranty will not apply to parts and/or labor if this snowmobile lift is deemed to have been misused, neglected, involved in an accident, abused, modified, installed improperly.

Other Exclusions

This warranty excludes:

Cosmetic defects such as paint, decals, etc.
Failures to due acts of God and other force majeure events beyond the manufacturer's control.

Problems cause by parts that are not original Champion Power Equipment parts.

This warranty does not apply to generators used for prime power in place of a utility.

Limits of Implied Warranty and Consequential Damage

Champion Power Equipment disclaims any obligation to cover any loss of time, use of this product, freight, or any incidental or consequential claim by anyone from using this generator. THIS WARRANTY IS IN LIEU OF ALL OTHER WARRANTIES, EXPRESS OR IMPLIED, INCLUDING WARRANTIES OF MERCHANTABILITY OR FITNESS FOR A PARTICULAR PURPOSE

A unit provided as an exchange will be subject to the warranty of the original unit. The length of the warranty governing the exchanged unit will remain calculated by reference to the purchase date of the original unit.

This warranty gives you certain legal rights which may change from state to state. Your state may also have other rights you may be entitled to that are not listed within this warranty.

Contact Information

Address

Champion Power Equipment, Inc.
Customer Service
10006 Santa Fe Springs Rd.
Santa Fe Springs, CA 90670

Customer Service

Mon – Fri 8:30 AM – 5:00 PM (PST/PDT)
Toll Free: 1-877-338-0999
Fax no.: 1-562-236-9429

Technical Service

Mon – Fri 8:30 AM – 5:00 PM (PST/PDT)
Toll Free: 1-877-338-0999
tech@championpowerequipment.com

Notes